

**INSTRUCTION
MANUAL**

ARMORED HIGH IMPACT COLOR DOME CAMERA

MODEL DC534



Copyright © 2009 Clover Electronics U.S.A. All Rights Reserved.

PRECAUTIONS

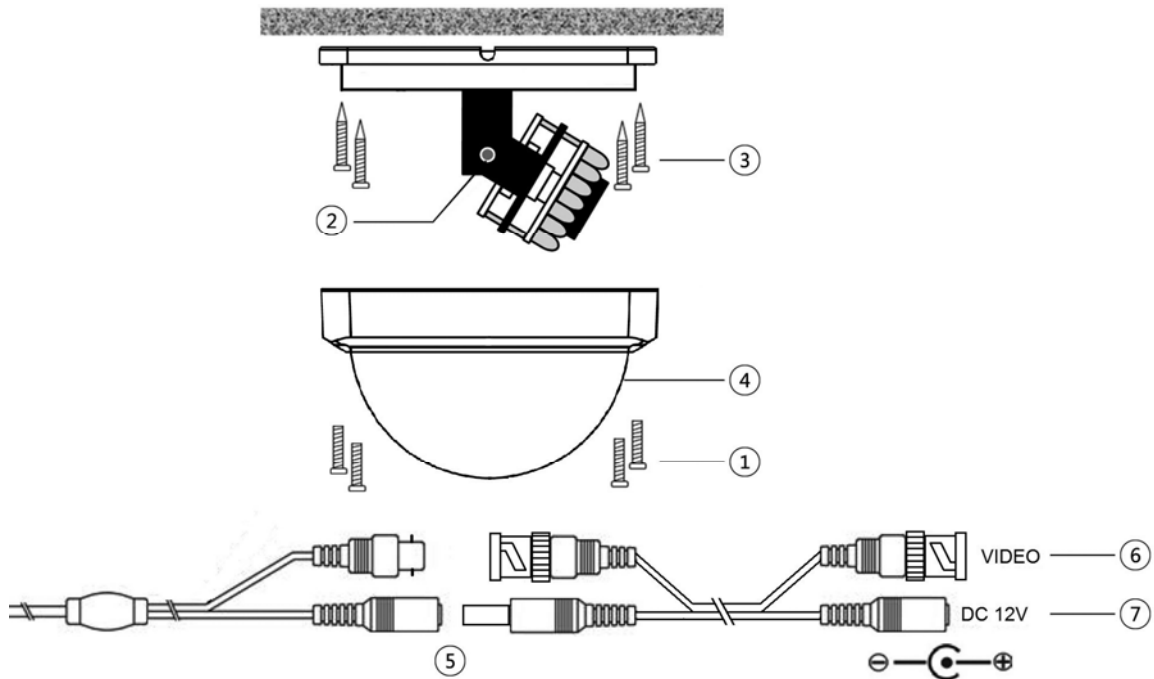
- To avoid electrical shock, do not open the case of this product.
- Operate this product using only the supplied AC Power supply.
- Do not overload electrical outlets or extension cords; this can result in fire or electric shock.
- Keep this product away from strong magnetic fields.
- Do not expose this product in direct sunlight or strong reflected rays.
- Refer servicing to qualified personnel only.
- Do not change or modify this product, the warranty will be voided.

FEATURES

- Vandal/Weather Resistant Dome Camera
- 1/3" Sony Super HAD CCD
- 420 TV Lines of Resolution
- Rugged Steel Construction
- Total 11 Infrared LEDs with a CDS sensor
- 30' IR range (depends on scene reflection)
- DC12V Power Source

INSTALLATION

1. Loosen the four locking screws① with provided hex-head wrench and remove the dome④.
2. Loosen the two locking screws② with a "+" driver (not included) and then set the desired angle of camera toward objects by moving the camera up or down.
3. Attach the mounting base to the wall or ceiling, wherever you want to install the camera. Locate a wall stud or ceiling joist and secure the mounting base using the supplied screws③. Attach the dome④ to the mounting base with a camera and secure them turning the four locking screws① with provided hex-head wrench clockwise.
4. Connect the one end of 60' cable (BNC/DC plug) to the BNC/DC jack of 3.3' cable⑤ attached to the camera. Connect the other end (BNC/DC jack) of cable⑥ to the video devices such as DVR, monitor/TV. Plug the provided AC adapter to the DC jack (red: ⑦) of the end of 60' cable.



Note:

- Apply the provided AC adapter only.

TROUBLE SHOOTING

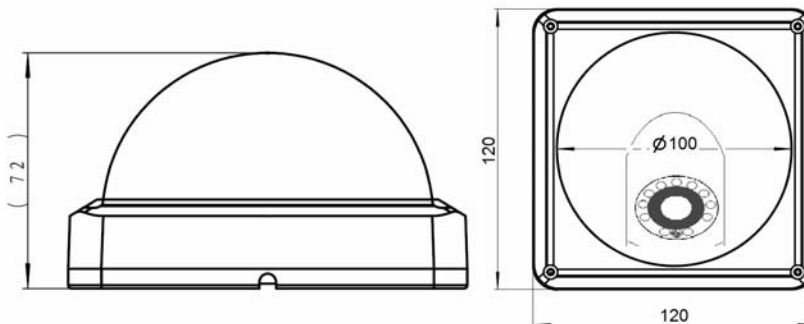
If the camera does not function properly, check the following points before contacting the service center.

Troubles	Remedies
No video	Check the AC adapter and video cable between the camera and a monitor
The image on the screen is dark	Check the brightness control on the monitor
The image on the screen is dim	Check if the lens is stained. If dirty, clean it with soft and clean cloth
The camera is not working properly, and	Check if you have connected the

the surface of the camera case is hot	provided AC adapter
The contrast on the screen is too weak	Adjust the contrast feature of the monitor. If the camera is exposed under too strong light, change the position
The image on the screen flickers	Does the camera face to directly to the sunlight or fluorescent light? Change the camera position
Picture rolls and jumps, scrambled picture	Improper V-hold control. Setting on your monitor
Picture smaller than screen	House current may be too low

SPECIFICATIONS

- Image pickup device 1/3" Sony Super HAD CCD, 510H x 492V
- Scanning system 525 lines, 2:1 interlace
- Horizontal resolution 520 TV lines
- Electronic Shutter speed 1/60 to 1/100,000 sec
- Sync. System Internal
- S/N ratio more than 48db (AGC off)
- Gamma characteristics 0.45
- Minimum illumination 0.1 Lux with LEDs- Off
- Video output Composite 1.0Vp-p @75 Ω
- Lens 4.3mm fixed lens
- Housing material Die cast aluminum alloy
- Dome material Polycarbonate
- Current consumption 250mA Max (LED On)
- Power supply DC 12V 500mA (Regulated)
- Operating temperature -10°C to 50°C
- Dimensions 120 (W) x 120 (D) x 72 (H) mm
- Weight 1.2Lbs



LIMITED 2 YEAR WARRANTY

This warranty gives the original purchaser specific legal rights and you may also have other rights, which vary from state to state. If our products do not function because of any defect in material or workmanship, we will repair free of charges for 2 years on parts and labor from the date of original purchase. This warranty does not cover modification, abuse, incidental or consequential damages unless the state of owner's residence specially prohibits limitations on incidental or consequential damages.

HOW TO OBTAIN FACTORY SERVICE

1. Original purchaser must fill out a warranty card and mail it to the factory with model number, serial number and the date of purchase.
2. We will repair or replace, and return to the owner the system under this limited warranty.
3. Please pack the system carefully and securely using the original packing materials, and send it prepaid and insured to: 13073 E. 166th St, Cerritos, CA 90703.
4. Please include a check for \$20.00 to cover the cost of return postage and handling. If the system is returned within the warranty period, please include a proof of purchase. If the system is out of warranty, you will receive an estimate of the repair cost for your approval before repair work will be begun.

AVAILABLE ACCESSORIES

CDR4450	Stand-alone 4 CH Digital Video Recorder (DVR)
CDR0460	Stand-alone 4 CH Digital Video Recorder (DVR)
CDR1650	Stand-alone 16 CH Digital Video Recorder (DVR)
CDR0850	Stand-alone 8 CH Digital Video Recorder (DVR)
CA100BP	100' BNC/DC Power Extension cable and coupler

PACKAGE INCLUDES

- 1-True Day & Night Color Camera
- 1-60' BNC/DC Power Cable
- 1-UL Approved AC Adapter
- 1-BNC to RCA Adapter
- 1-Hardware Accessories Kit
- 1-Instruction Manual
- 1-Warranty Registration Card

Free Manuals Download Website

<http://myh66.com>

<http://usermanuals.us>

<http://www.somanuals.com>

<http://www.4manuals.cc>

<http://www.manual-lib.com>

<http://www.404manual.com>

<http://www.luxmanual.com>

<http://aubethermostatmanual.com>

Golf course search by state

<http://golfingnear.com>

Email search by domain

<http://emailbydomain.com>

Auto manuals search

<http://auto.somanuals.com>

TV manuals search

<http://tv.somanuals.com>