

**INSTRUCTION
MANUAL**

**TRUE DAY/NIGHT
VARI-FOCAL COLOR DOME CAMERA**

MODEL HDC211



Copyright © 2009 Clover Electronics U.S.A. All Rights Reserved.

PRECAUTIONS

- To avoid electrical shock, do not open the case of this product.
- Do not stamp fingerprints on the lens.
- Operate this product using only the recommended AC Power supply.
- Do not overload electrical outlets or extension cords; this can result in fire or electric shock.
- Keep this product away from strong magnetic fields.
- Do not expose this product in direct sunlight or strong reflected rays.
- Refer servicing to qualified personnel only.
- Do not change or modify this product, the warranty will be voided.

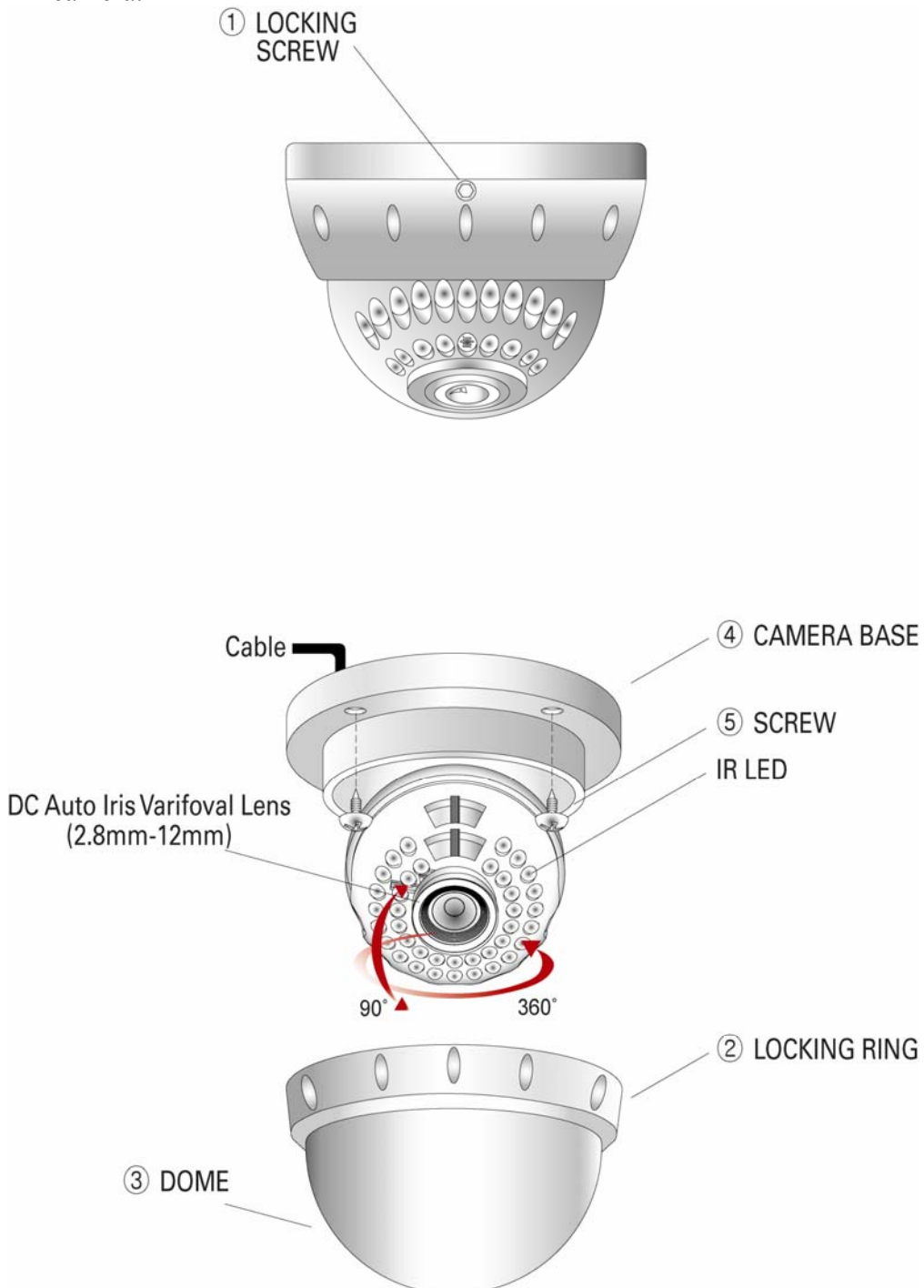
FEATURES

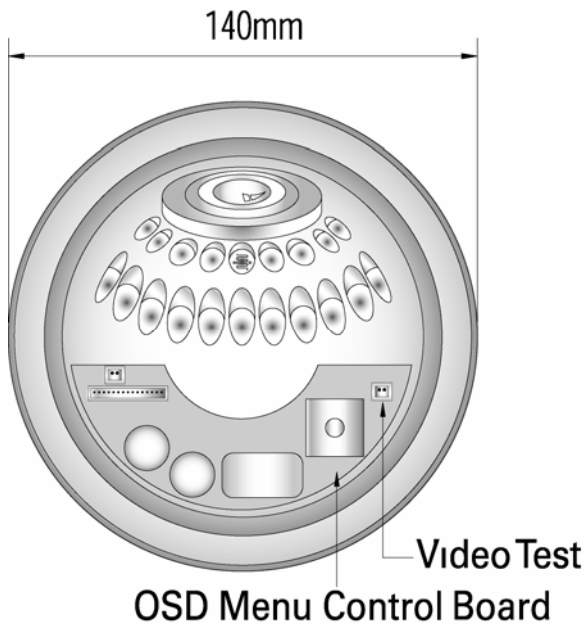
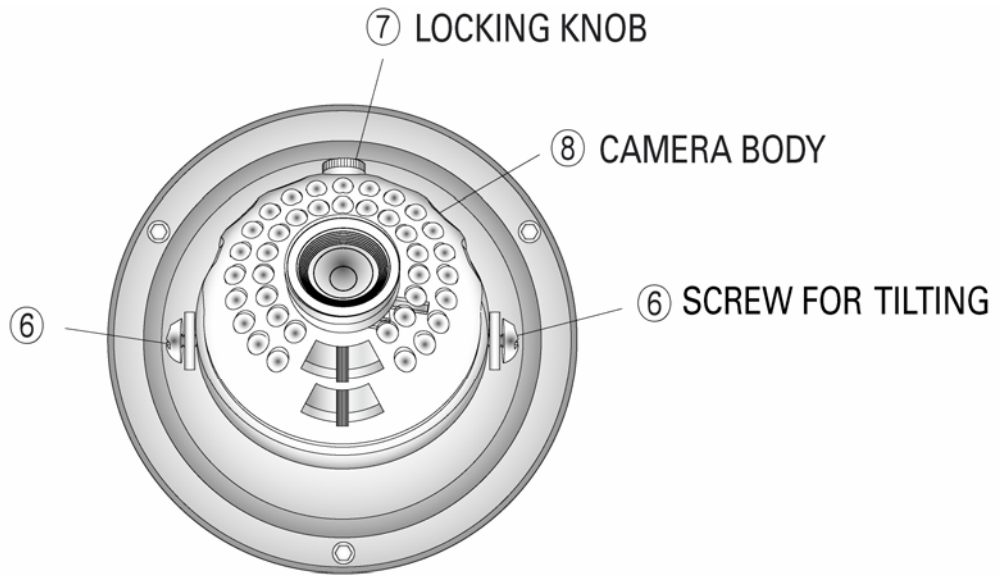
- Weatherproof (IP67)
- 1/3" Sony Super HAD CCD
- High Resolution 550 TV Lines (Color), 600 TV Lines (B/W)
- True Day/Night (Built-in ICR: IR Cut Filter Removal)
- 3D DNR (Digital Noise Reduction) with 3D filter
- D-WDR (Digital Wide Dynamic Range)
- 3-Axis Gimbals Bracket
- Total 33 Infrared LEDs with a CDS sensor
- Up to 100' IR range (depends on scene reflection)
- DC Auto Iris Vari-focal Lens (2.8-12mm)
- Dual Voltage(AC 24V/DC 12V)

INSTALLATION

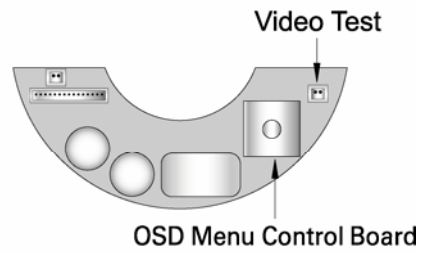
1. Loosen the locking screw① with the provided hex-head wrench and turn the locking ring② counter-clockwise to remove the transparent dome③.
2. Attach the camera base④ to the wall or ceiling, wherever you want to install the camera. Locate a wall stud or ceiling joist and secure the camera base④ using the supplied screws⑤.
3. How to set angle of view:
 - Loosen the screws⑥ for tilting and adjust the camera direction by moving the camera body⑧ up or down, then fix the screws firmly.
 - Turn the mounting bracket (metal part) covering the camera body⑧ left or right for panning adjustment.
 - Loosen the locking knob⑦ and turn the camera body⑧ clockwise or counter-clockwise to upright images on the screen.

4. If necessary, change the settings to get the best images depending on your application by using the buttons in the camera (refer to the instruction manual for OSD control).
5. Assemble the transparent dome③ by turning the locking ring② clockwise. The locking ring② should be securely fastened so that water can not leak into the camera.
6. Connect the one end of BNC cable (not supplied) to the BNC (F) of 5' cable attached to the camera and the other end (BNC) of cable to the video devices such as DVR, monitor/TV. Plug an AC power supply (not supplied) to the DC jack (red) on the camera.





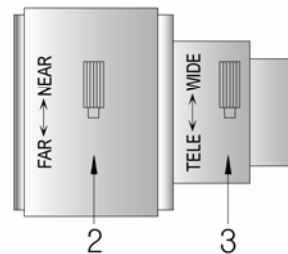
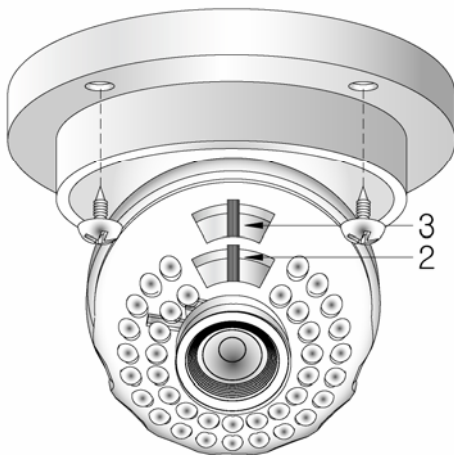
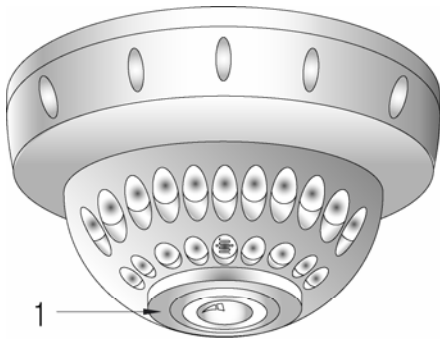
SIDE



OSD MENU CONTROL BOARD

HOW TO ADJUST ANGLE OF VIEW

1. Vari-focal lens①
Easily changeable angle of view: 2.8 to 12mm
2. T↔W (Tele ↔ Wide)③
Turn this adjustment knob③ clockwise or counter-clockwise to set the focal length.
3. ∞↔N②
Turn this adjustment knob② clockwise or counter-clockwise to set the focus.
4. After setting the focus and focal length, the adjustment knob② and ③ should be securely fastened.
5. Do not stamp your fingerprint on the lens and dome, which may affect picture quality.



Note:

- **Apply DC12V 1 A regulated power supply (not included).**
- **To avoid fire or shock hazard, use a UL listed power supply.**

TROUBLE SHOOTING

If the camera does not function properly, check the following points before contacting the service center.

Troubles	Remedies
No video	Check the AC adapter and video cable between the camera and a monitor
The image on the screen is dark	Check the brightness control on the monitor
The image on the screen is dim	Check if the lens is stained. If dirty, clean it with soft and clean cloth
The camera is not working properly, and the surface of the camera case is hot	Check if you have connected the provided AC adapter
The contrast on the screen is too weak	Adjust the contrast feature of the monitor. If the camera is exposed under too strong light, change the position
The image on the screen flickers	Does the camera face to directly to the sunlight or fluorescent light? Change the camera position
Picture rolls and jumps, scrambled picture	Improper V-hold control. Setting on your monitor
Picture smaller than screen	House current may be too low

SPECIFICATIONS

• Image sensor	1/3" SONY Super HAD CCD
• Total pixels	811(H) x 508(V)
• Effective Pixels	768(H) x 494(V)
• Scanning system	2:1 Interlace
• O.S.D	Available
• Backlight	Off / HSBLIC / BLC selectable
• Resolution	550TV Lines(color),600TV Lines(B/W)
• S/N (Y signal)	52dB (AGC Off, Weight On)
• Min.illumination	0.000006Lux(IR LED ON)
• White Balance	ATW / AWB / Manual / AWC→SET
• Sense-up	Off / Auto / (Selectable limit x2 ~ x258)
• 3 DNR	Off / On (1~50 level adjustable)
• D-WDR	Indoor / Outdoor / Off
• D&N selection	Color / BW / Auto
• Digital zoom	On(x32) / Off
• Housing material	Die cast Aluminum alloy
• Dome material	Polycarbonate
• Voltage	AC 24V / DC 12V(Dual voltage)
• Current consumption	480 mA(LED: On), 170 mA(LED: Off)
• Lens	DC Auto Iris Varifocal Lens (2.8mm-12mm)
• Operating temperature/Humidity	-10°C ~ +50°C. RH 95% Max.
• Storage temperature/Humidity	-20°C ~ +60°C. RH 95% Max.
• Dimensions	140 (Φ) x 100mm
• Weight	2 Lbs

LIMITED 2 YEAR WARRANTY

This warranty gives the original purchaser specific legal rights and you may also have other rights, which vary from state to state. If our products do not function because of any defect in material or workmanship, we will repair free of charges for 2 years on parts and labor from the date of original purchase. This warranty does not cover modification, abuse, incidental or consequential damages unless the state of owner's residence specially prohibits limitations on incidental or consequential damages.

HOW TO OBTAIN FACTORY SERVICE

1. Original purchaser must fill out a warranty card and mail it to the factory with model number, serial number and the date of purchase.
2. We will repair or replace, and return to the owner the system under this limited warranty.
3. Please pack the system carefully and securely using the original packing materials, and send it prepaid and insured to: 13073 E. 166th St, Cerritos, CA 90703.
4. Please include a check for \$20.00 to cover the cost of return postage and handling. If the system is returned within the warranty period, please include a proof of purchase. If the system is out of warranty, you will receive an estimate of the repair cost for your approval before repair work will be begun.

AVAILABLE ACCESSORIES

CDR0460	Stand-alone 4 CH Digital Video Recorder (DVR)
CDR4450	Stand-alone 4 CH Digital Video Recorder (DVR)
CDR0860	Stand-alone 8 CH Digital Video Recorder (DVR)
CDR1660	Stand-alone 16 CH Digital Video Recorder (DVR)
CDR0850	Stand-alone 8 CH Digital Video Recorder (DVR)
CDR1650	Stand-alone 16 CH Digital Video Recorder (DVR)
CA100BP	100' BNC/Power to BNC/Power Extension cable and coupler
ADT121500	AC Power Supply DC12V 1.5 A Regulated

PACKAGE INCLUDES

- 1-Day & Night Vari-focal Color Dome Camera
- 1-Hardware Accessories Kit
- 1-Instruction Manual
- 1-Instruction Manual for OSD Control
- 1-Warranty Registration Card

Free Manuals Download Website

<http://myh66.com>

<http://usermanuals.us>

<http://www.somanuals.com>

<http://www.4manuals.cc>

<http://www.manual-lib.com>

<http://www.404manual.com>

<http://www.luxmanual.com>

<http://aubethermostatmanual.com>

Golf course search by state

<http://golfingnear.com>

Email search by domain

<http://emailbydomain.com>

Auto manuals search

<http://auto.somanuals.com>

TV manuals search

<http://tv.somanuals.com>