

**INSTRUCTION  
MANUAL**

# **MINI COLOR DOME CAMERA**

**MODEL HDC365**



**Copyright © 2009 Clover Electronics U.S.A. All Rights Reserved.**

## PRECAUTIONS

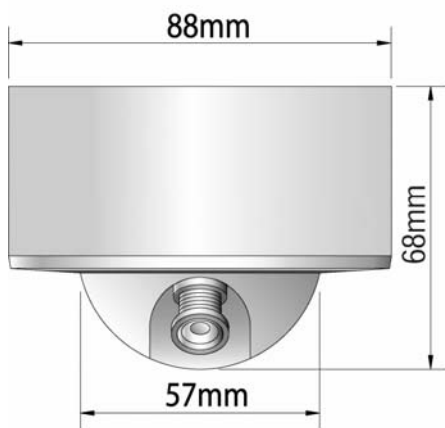
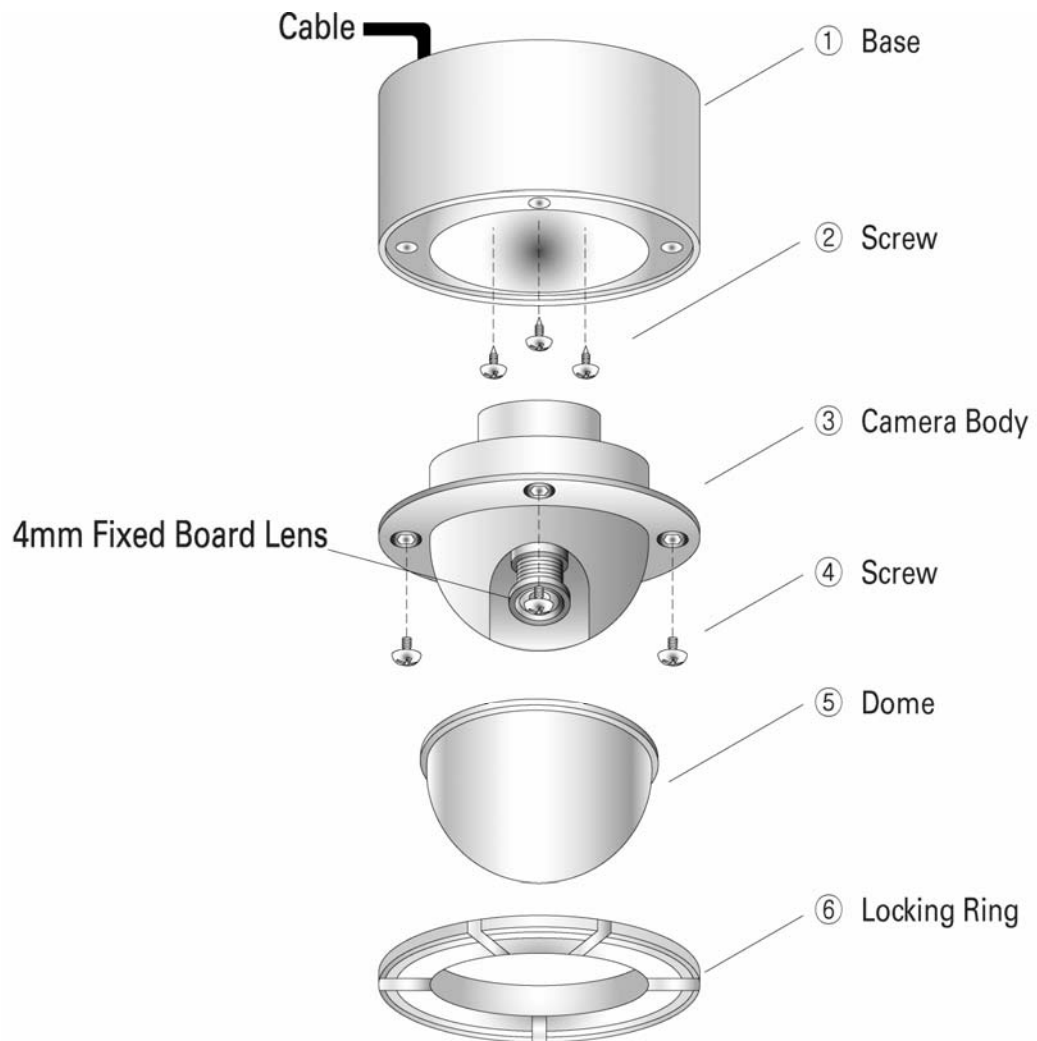
- To prevent fire or shock hazard, do not expose the product to rain or moisture.
- To avoid electrical shock, do not open the case of this product.
- Operate this product using only the supplied AC Power supply.
- Do not overload electrical outlets or extension cords; this can result in fire or electric shock.
- Keep this product away from strong magnetic fields.
- Do not expose this product in direct sunlight or strong reflected rays.
- Refer servicing to qualified personnel only.
- Do not change or modify this product, the warranty will be voided.

## FEATURES

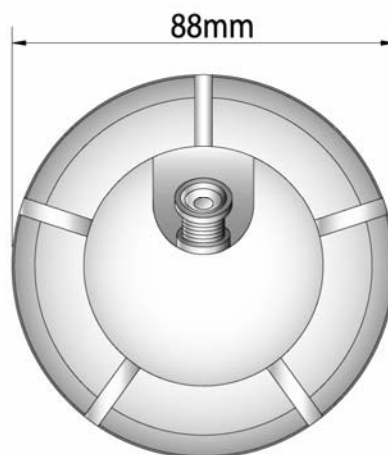
- 1/3" Sony Super HAD CCD
- High Resolution 540 TV Lines
- Rugged Steel Construction
- 4mm Fixed Board Lens
- Attached Mounting Bracket and 100' cable
- DC 12V Power Source

## INSTALLATION

1. Attach the mounting base① to the wall or ceiling, wherever you want to install the camera. Locate a wall stud or ceiling joist and secure the mounting base using the supplied screws②.
2. Set the desired angle of camera toward objects by pushing and moving the camera body③ right /left and up/down.
3. Attach the camera body③ to the mounting base① and secure them with the supplied screws④.
4. Put the transparent dome⑤ on to the camera body③ and then turn the locking ring⑥ clockwise to secure.
5. Connect the one end of 100' cable (supplied) to the BNC (F) of 5' cable attached to the camera and the other end (BNC) of cable to the video devices such as DVR, monitor/TV. Plug the provided AC power supply to the DC jack (red) on the end of 100' cable.



**FRONT**



**SIDE**

**Note:**

- **Apply the provided AC power supply only.**
- **The total length of cable must not exceed 300' including extension cable.**

## TROUBLE SHOOTING

If the camera does not function properly, check the following points before contacting the service center.

Troubles	Remedies
No video	Check the AC adapter and video cable between the camera and a monitor
The image on the screen is dark	Check the brightness control on the monitor
The image on the screen is dim	Check if the lens is stained. If dirty, clean it with soft and clean cloth
The camera is not working properly, and the surface of the camera case is hot	Check if you have connected the provided AC adapter
The contrast on the screen is too weak	Adjust the contrast feature of the monitor. If the camera is exposed under too strong light, change the position
The image on the screen flickers	Does the camera face to directly to the sunlight or fluorescent light? Change the camera position
Picture rolls and jumps, scrambled picture	Improper V-hold control. Setting on your monitor
Picture smaller than screen	House current may be too low

## SPECIFICATIONS

• Image sensor	1/3" SONY Super HAD CCD
• Effective Pixels	768(H) x 494(V)
• Scanning system	2:1 Interlace
• Sync system	Internal
• Resolution	540TV Lines
• S/N Ratio	More than 46dB
• Min.illumination	0.1Lux
• Gamma characteristic	$r=0.45$
• Video output	CVBS:1.0Vp-p 75 ohm
• Electronic shutter speed	1/60sec to 1/100,000sec
• Voltage	DC12V
• Current consumption	80 mA
• Lens	4mm fixed board lens
• Operating temperature/Humidity	-10°C ~ +50°C. RH 95% Max.
• Storage temperature/Humidity	-20°C ~ +60°C. RH 95% Max.
• Dimensions	88 (Φ) x 59(H)mm
• Weight	1.3 Lbs

## LIMITED 2 YEAR WARRANTY

This warranty gives the original purchaser specific legal rights and you may also have other rights, which vary from state to state. If our products do not function because of any defect in material or workmanship, we will repair free of charges for 2 years on parts and labor from the date of original purchase. This warranty does not cover modification, abuse, incidental or consequential damages unless the state of owner's residence specially prohibits limitations on incidental or consequential damages.

## HOW TO OBTAIN FACTORY SERVICE

1. Original purchaser must fill out a warranty card and mail it to the factory with model number, serial number and the date of purchase.
2. We will repair or replace, and return to the owner the system under this limited warranty.
3. Please pack the system carefully and securely using the original packing materials, and send it prepaid and insured to: 13073 E. 166<sup>th</sup> St, Cerritos, CA 90703.
4. Please include a check for \$15.00 to cover the cost of return postage and handling. If the system is returned within the warranty period, please include a proof of purchase. If the system is out of warranty, you will receive an estimate of the repair cost for your approval before repair work will be begun.

## AVAILABLE ACCESSORIES

CDR0460	Stand-alone 4 CH Digital Video Recorder (DVR)
CDR4450	Stand-alone 4 CH Digital Video Recorder (DVR)
CDR0860	Stand-alone 8 CH Digital Video Recorder (DVR)
CDR1660	Stand-alone 16 CH Digital Video Recorder (DVR)
CDR0850	Stand-alone 8 CH Digital Video Recorder (DVR)
CDR1650	Stand-alone 16 CH Digital Video Recorder (DVR)
CA100BP	100' BNC/Power to BNC/Power Extension cable and coupler

## PACKAGE INCLUDES

- 1-Mini Color Dome Camera
- 1-Mounting Bracket & 100' BNC/Power to BNC/Power cable
- 1-UL Approved AC Power Supply
- 1-Hardware Accessories Kit
- 1-Instruction Manual
- 1-Warranty Registration Card

## Free Manuals Download Website

<http://myh66.com>

<http://usermanuals.us>

<http://www.somanuals.com>

<http://www.4manuals.cc>

<http://www.manual-lib.com>

<http://www.404manual.com>

<http://www.luxmanual.com>

<http://aubethermostatmanual.com>

Golf course search by state

<http://golfingnear.com>

Email search by domain

<http://emailbydomain.com>

Auto manuals search

<http://auto.somanuals.com>

TV manuals search

<http://tv.somanuals.com>