

Cobalt™ **Co₁₁**
Condenser **Vocal Microphone**



C O B A L T™

W I R E D

MICROPHONES

Key Features:

- **Versatile condenser microphone, ideal for both vocals and instruments**
- **Cardioid polar pattern with excellent feedback rejection and acoustic isolation**
- **High compliance shock mount effectively eliminates handling noise**
- **Multistage pop filter eliminates breath pop noises**
- **Memraflex™ hardened grille screen**

General Description:

The new Co11 is a high quality hand held condenser microphone that offers extended frequency response and wide dynamic range. The Co11 is the ideal vocal microphone for anyone that appreciates the crisp high end and warm proximity effect that can only come from a top performing condenser microphone. Besides great sound, the Co11 features a high compliance shock mount that makes handling noise “go away”, and comes in a rugged die cast housing with the famous EV Memraflex™ dent resistant grille screen. Best of all, the Co11 does all this at a price anyone can afford!



Cobalt™
professional microphones

Cobalt™ Co₁₁

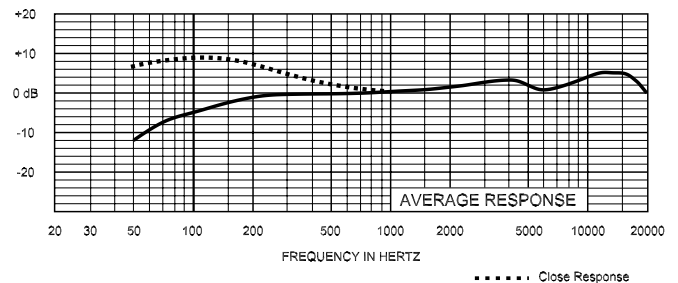
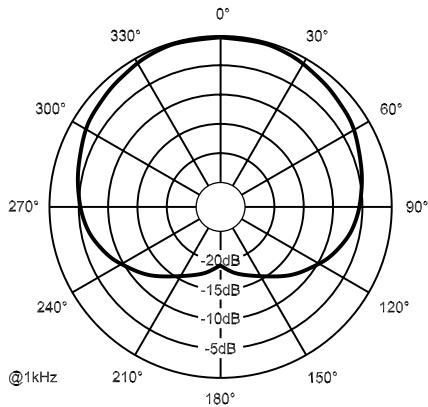
Condenser Vocal Microphone

Specifications

Element	Self-Biased Condenser
Frequency Response	50 Hz to 20 kHz
Polar Pattern	Cardioid
Impedance	Low-Z balanced (250 Ohms)
Sensitivity Open Circuit Voltage	4.0 mV/PA (-48 dBV) re 1 Pa*
Clipping Level, 1KHz	-3 dBV
Maximum SPL, 1 KHz	130 dB SPL (1% THD)
Self-Noise	26 dBA
Dynamic Range, (Maximum SPL to A Weighted noise level)	113 dB
Signal-to-Noise Ratio	68 dB (@ 94 dB SPL)
Microphone Connector	3-pin, XLR-type
Polarity	Pin 2 positive, referenced to pin 3 with positive pressure on diaphragm
Power	Phantom Supply Requirement: 24 to 48 Vdc, positive at pins 2 & 3, Current Drain: Up to 10 mA
Finish/Materials	Durable Polyurethane painted, die cast zinc
Dimensions	
Length	6.8 in. (173 mm)
Diameter	2.1 in. (53 mm)
Shank	.80 in. (20 mm)
Weight, Net	10.3 oz. (292 grams)
Accessories included	Stand adaptor (black) and Gig bag



Cobalt™
professional microphones



12000 Portland Avenue South, Burnsville, MN 55337

Phone: 952/884-4051, Fax: 952/884-0043

www.electrovoice.com

© Telex Communications, Inc. 9/2003

Part Number 38110-129 Rev. B

U.S.A. and Canada only. For customer orders, contact Customer Service at:
800/392-3497 Fax: 800/955-6831

Europe, Africa, and Middle East only. For customer orders, contact Customer Service at:
+ 49 9421-706 0 Fax: + 49 9421-706 265

Other International locations. For customer orders, contact Customer Service at:
+ 1 952 884-4051 Fax: + 1 952 736-4212

For warranty repair or service information, contact the Service Repair department at:
800/553-5992 or 402/467-5321

For technical assistance, contact Technical Support at:
800/392-3497 or 952/736-4656

Specifications subject to change without notice.

Free Manuals Download Website

<http://myh66.com>

<http://usermanuals.us>

<http://www.somanuals.com>

<http://www.4manuals.cc>

<http://www.manual-lib.com>

<http://www.404manual.com>

<http://www.luxmanual.com>

<http://aubethermostatmanual.com>

Golf course search by state

<http://golfingnear.com>

Email search by domain

<http://emailbydomain.com>

Auto manuals search

<http://auto.somanuals.com>

TV manuals search

<http://tv.somanuals.com>