

AN - 8630 - 25

TELEPHONE

ANSWERING

SYSTEM



“The antenna is in the phone,
not in your way...and the
sound is incredible.”



COBRA ELECTRONICS
CORPORATION

6500 W. Cortland Street
Chicago, Il. 60707



24 HOURS A DAY, 7 DAYS A WEEK... WE'RE HERE FOR YOU!

Your new Cobra Intenna® Cordless Phone Answering System is the world's first and only cordless system with no antenna to bend, break or interfere with your life. That, along with the fact that it's all digital (no tapes to replace) and designed with an electronic mail box (similar to the ones found in many offices), makes this one of the most sophisticated yet easy-to-use cordless telephone answering systems on the market today. There's even VOICE HELP built in to give you assistance when using the functions. To get started, turn to page 9 and follow the steps, 1-2-3, and your system is soon ready to go. When you're ready to add more functions, simply refer back to the information guide for the feature you want and we'll help you through it, step by step. Still can't get it to work?

Give us a call. Cobra wants to be your partner in clear communication.

**CALL YOUR COBRA CONSULTANT
AT
1-773-889-3087**



AN8630-25

INFORMATION GUIDE

Introduction	2	When The Memory Is Full	
Information Guide	3	To Record A Memo	
Important Safety Instructions	4 & 5	To Access A Memo	
Features Information	6 & 7	Digital Answering System (from the handset)	18
Things To Know	8	To Access Your Incoming Messages	
Getting Started	9	To Screen A Call	
Plugging In		Digital Answering System (from a remote location)	19
Setting The Clock		Getting Ready	
Recording Your Outgoing Message		To Access Your Incoming Messages	
Wall Mounting	10	To Record Your Outgoing Message	
On A Plate		To Record A Memo	
Directly On The Wall		To Turn Your System On	
Using Your Phone	11	When The Memory Is Full	
To Answer A Call From The Base		Using The Mailbox Feature	20 & 21
To Place A Call At The Base		Programming Your Mailbox	
To Answer Or Place A Call Away From The Base		To Record Individual Mailbox Outgoing Messages	
Memory Dialing	12 & 13	To Access General Messages	
To Store A Number In Memory		To Access Individual Messages	
Creating A Directory		To Record OGM From Remote Location	
To Store A Number Over 16 Digits		To Access Messages From Remote Location	
To Dial A Number Stored In Memory		To Record OGM From Handset	
To Replace Or Change A Number Stored In Memory		To Access Messages From Handset	
Intercom/Paging System	13, 14 & 15	To Erase Individual Messages	
To Use The Intercom		Additional Features	22 & 23
To Use The Pager As A Handset Locator		Rechargeable Battery Information	24 & 25
To Use Intercom As 2-Way Monitor		Troubleshooting Checklist	26 & 27
To Use 2-Way Recording Feature		Service Information/FCC Guidelines	28
Digital Answering System (from the base)	16 & 17	Limited Warranty	29
Getting Ready		Reminder Card (Duplicate)	30
To Record Your Outgoing Message		Accessories Order Form	31
To Access Your Incoming Messages			
To Erase Your Messages			
To Screen A Call			

NEED HELP?

1-800-COBRA 22

IMPORTANT SAFETY INSTRUCTIONS



THE LIGHTNING FLASH AND ARROW HEAD WITHIN THE TRIANGLE IS A WARNING SIGN ALERTING YOU OF "DANGEROUS VOLTAGE" INSIDE THE PRODUCT.

CAUTION

RISK OF ELECTRIC SHOCK
DO NOT OPEN

CAUTION: TO REDUCE THE RISK OF ELECTRIC SHOCK DO NOT REMOVE COVER (OR BACK). NO USER SERVICEABLE PARTS INSIDE. REFER SERVICING TO QUALIFIED SERVICE PERSONNEL.



THE EXCLAMATION POINT WITHIN THE TRIANGLE IS A WARNING SIGN ALERTING YOU OF IMPORTANT INSTRUCTIONS ACCOMPANYING THE PRODUCT.

SEE WARNING ON BOTTOM/BACK OF PRODUCT

WARNING: TO PREVENT FIRE OR ELECTRIC SHOCK HAZARD DO NOT EXPOSE THIS PRODUCT TO RAIN OR MOISTURE

When using your telephone equipment, basic safety precautions should always be followed to reduce the risk of fire, electric shock and injury to persons, including the following:

1. Read and understand all instructions.
2. Follow all warnings and instructions marked on the product.
3. Unplug this product from the wall outlet before cleaning. Do not use liquid cleaners or aerosol cleaners. Use a damp cloth for cleaning.
4. Do not locate base unit near water, for example, near a bath tub, wash bowl, kitchen sink, or laundry tub, in a wet basement or near a swimming pool.
5. Do not place this product on an unstable cart, stand or table. The product may fall, causing serious damage to the product.
6. Slots and openings in the cabinet and the bottom or back are provided for ventilation, to protect it from overheating; these openings must not be blocked or covered. The openings should never be blocked by placing the product in the bed, sofa, rug or other similar surface. This product should never be placed near or over a radiator or heat register. This product should not be placed in a built-in installation unless proper ventilation is provided.
7. This product should be operated only from the type of power source indicated on the marking label. If you are not sure of the type of power supply to your home, consult your dealer or local power company.
8. Do not allow anything to rest on the power cord. Do not locate this product where the cord will be abused by persons walking on it.
9. Do not overload outlets and extension cords as this can result in the risk of fire or electric shock.
10. Never push objects of any kind into this product through cabinet slots as they may touch dangerous voltage points or short out parts that could result in a risk of fire or electric shock. Never spill liquid of any kind on the product.
11. To reduce the risk of electric shock, do not disassemble this product, but take it to qualified servicemen when service or repair work is required. Opening or removing covers may expose you to dangerous voltages or other risks. Incorrect reassembly can cause electric shock when the appliance is subsequently used.
12. Avoid using telephone (other than a cordless type)

13. Do not use the telephone to report a gas leak in the vicinity of the leak.
14. Unplug this product from the wall outlet and refer servicing to qualified service personnel under the following conditions:
 - A. When the power supply cord or plug is damaged or frayed.
 - B. If liquid has been spilled into the product.
 - C. If the product has been exposed to rain or water.
 - D. If the product does not operate normally by following the operating instructions. Adjust only those controls that are covered by the operating instructions because improper adjustment of other controls may result in damage and will often require extensive work by a qualified technician to restore the product to normal operation.
 - E. If the product has been dropped or the cabinet has been damaged.
 - F. If the product exhibits a distinct change in performance.

The cordless handset operates on batteries. There is also a battery supplied for the base unit memory.

CAUTION: To reduce the risk of fire or personal injury, read and follow these instructions:

- A. Use only the following types and sizes of batteries:
 - A1. For Handset Unit: Cordless Telephone (Ni-Cd rechargeable) Battery Pack 3.6V, 270 mAh (Cobra Model 213-013-9-001).
 - A2. For Base Unit: 9Volt (Alkaline non-rechargeable) Battery.
- B. Do not dispose of battery pack in a fire. The cells may explode. Check with local codes for possible disposal instruction.
- C. Since released electrolyte is corrosive and may cause damage to eyes or skin and may be toxic if swallowed:
 - C1. Do not open or mutilate battery pack.
 - C2. Always replace the entire battery pack rather than reusing one or more cells.
 - C3. Do not expose batteries to heat or flame.

- D. Exercise care in handling the battery pack in order not to "short" the battery contacts with conducting materials such as rings, bracelets, and keys. The battery or conductor may overheat and cause burns.
- E. Follow the handset battery charging instructions outlined in this manual.
- F. For Base Unit Battery:
 - F1. Do not attempt to recharge the 9V battery provided with or identified for use with this product. The battery may leak corrosive electrolyte or explode.
 - F2. Do not attempt to rejuvenate the battery provided with or identified for use with this product by heating it. Sudden release of the battery electrolyte may occur, causing burns or irritation to eyes and skin.
 - F3. Remove the 9V battery from this product if the product will not be used for a long period of time (several months or more), since the battery could leak inside the product during this time.
 - F4. Discard "dead" batteries as soon as possible, since "dead" batteries are more likely to leak in a product.
 - F5. Do not store this product or the battery provided with or identified for use with this product in high temperature areas. Batteries which are stored in a freezer or refrigerator for the purpose of extending shelf life should be protected from condensation during storage and defrosting. Batteries should be stabilized at room temperature prior to use after cold storage.

Power Supply Specifications

This symbol signifies that only the Cobra AC Adapter supplied with this cordless telephone (Part No. 768-023-N-001) should be used

Input: AC 120V, 60Hz, 15W
Output: DC 12V, 500mA



SAVE THESE INSTRUCTIONS

NEED HELP?

1-773-889-3087

DID YOU KNOW THAT...



You can **REPLACE THE BATTERIES** in the handset yourself. It's fast and easy. **SEE PAGE 25** for simple-to-follow instructions.



Your new Cobra Intenna Cordless Telephone Answering System has a true **TWO-WAY INTERCOM** built in. You can page remotely, page from the base or the handset and use the intercom as a baby monitor—You can even turn The Answering System off and on from a remote location. For more information, **SEE PAGE 13.**



This deluxe answering system has a complete **REMOTE VOICE HELP MENU** to guide you through all of the possible operations, including Message Retrieval, from a touch-tone phone anywhere in the world. For details on how it can work for you, **SEE PAGE 19.**

Your new Cobra Intenna Cordless Telephone Answering System has **5 DIGITAL MAILBOXES.**

One is for general messages, and the other four may be used for individually accessed messages. Use one for mom, two for the kids, one for business or all for business.

The choice is yours!
SEE PAGE 20 for information.



You can select from any one of the **25 CHANNELS AVAILABLE** any time you wish by pressing a button. If the channel you're using gets too much noise or static, pick a cleaner one, without disconnecting your call. **SEE PAGE 22** for more details.

You can use any features that you want of this advanced Answering system from the Cordless Handset. The **VOICE HELP SYSTEM** gives you all of the information you'll need. **SEE PAGE 19** for directions.



Your new Cobra Intenna Cordless Telephone Answering System comes with **MEMORY DIALING.** Program 10 of your most frequently called numbers into the digital memory system. Retrieve any of them with just the touch of a button. To find out how, **SEE PAGE 12.**

SOME THINGS YOU NEED TO KNOW BEFORE YOU GET STARTED

Now that your new Cobra Intenna Cordless Phone Answering System is out of the box and ready to use, here are some things you'll need to be aware of before getting started.

Location

Be sure the location you've chosen is near both an electrical outlet and a telephone wall jack—both are required to connect your new Cobra Telephone Answering System. Maximum range is obtained by locating the base as high as possible in your home.

Charging

After connecting, and before using the handset of your new system, it will need to rest in the base overnight (at least 12 hours) in order to charge.

1 Ringer

RINGER Make sure the RINGER switch, located on the rear of the base, is set to ON.

2 Pulse/Tone

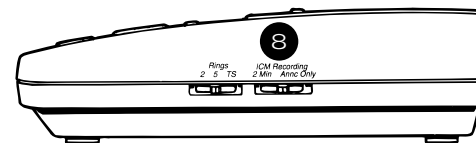
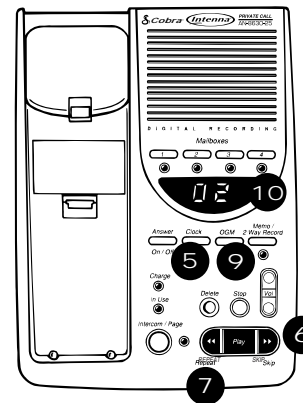
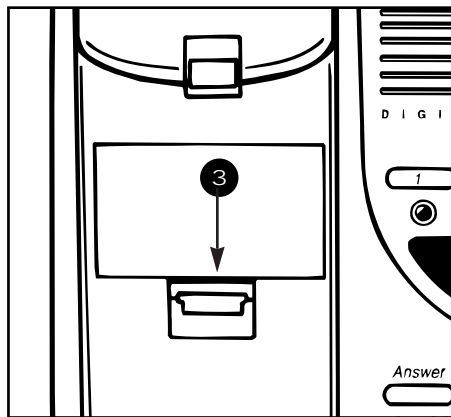
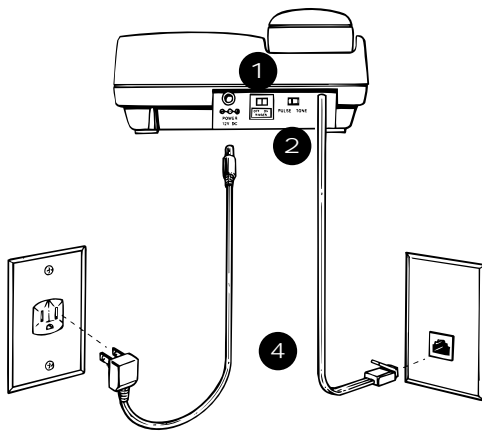
PULSE/TONE Set the PULSE/TONE switch, located on the rear of the base, to the operation that is correct for your installation.

4 Plug it in

Plug the adapter cord into the power jack on the rear of the base, then plug the adapter into any standard 110V outlet. (VOICE HELP will direct you to set clock and outgoing message). **Set the handset on the base to charge and in 12 hours you're ready to make and receive calls.** The Answering System will work while the telephone handset is charging.

Keep This Guide

Put this guide in a handy place. You may want to refer to it for information when using or programming different features of your Cobra Intenna Cordless Telephone Answering System.



GETTING SET UP... IT'S AS EASY AS 1-2-3

3 Battery Back Up

BATTERY BACK UP Now's the time to put your 9v back-up battery (included) into the base. Simply open the battery compartment located below the handset on the base, plug-in the battery, and your outgoing and incoming messages will be saved during power outages or other disconnections.

5 Set The Clock

CLOCK BUTTON Press and hold the button that says "Clock" and VOICE HELP will direct you to press the "SKIP" ►► button until you hear the correct day of the week, then release. Press and release "Clock" again, then SKIP or REPEAT ◀◀ button until the correct hour is displayed in the LED window. Repeat again for the minutes. Press "Clock" again and VOICE HELP will verify the time that has been set. Every message received will then be identified by day of the week and time.

8 Record your outgoing message

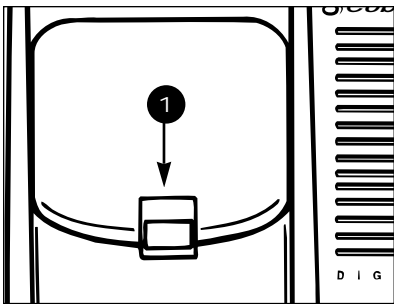
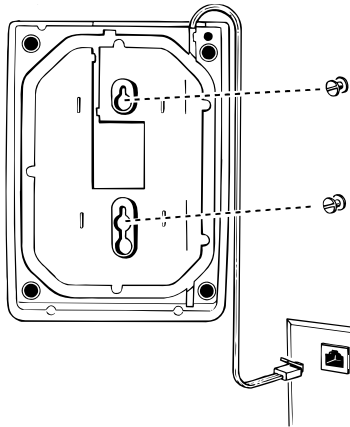
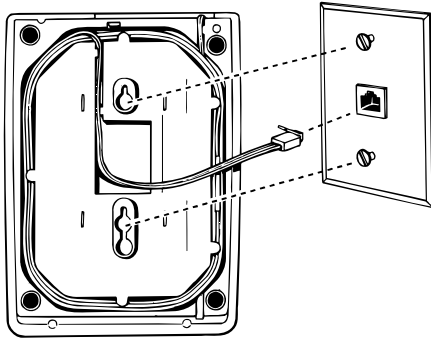
ICM RECORDING SWITCH Check to be sure the ICM (Incoming Message) Recording switch on the side of the phone is set at "2 Min." (as opposed to "Annc Only"). Press and hold the button that says "OGM" (Outgoing Message) and VOICE HELP will direct you to start recording your message after the beep. The LED display window will indicate the length in seconds; you have up to 60 seconds recording time for your OGM. Speak about 6 inches from the microphone located in small slot on front of base. Release the button and your message plays back. Not satisfied with your message? Simply follow these steps over again and keep recording your outgoing message until you're comfortable.

9 OGM BUTTON

10 LED DISPLAY

NEED HELP?

1-773-889-3087



WALL MOUNTING

On A Plate

Your Cobra Intenna is designed to be used with AT&T, GTE or any other wall-mounting plates that may be purchased from most local electronics or home repair stores.

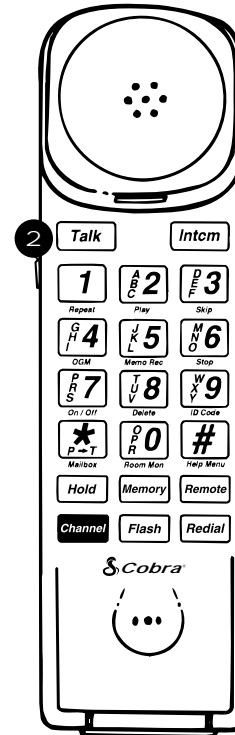
1. Press the telephone cord into the slots under the base and wrap it around the cord storage area as shown.
2. Plug the phone connector into the telephone wall jack.
3. Plug the power adapter into the telephone base and a nearby AC power outlet.
4. To hang the phone base, simply align the holes on the bottom of the base with the studs on the wall plate and slide the base down until it locks into place.
5. To hang up handset, pull cradle hook to down position.



Directly On The Wall

To install the base directly on any wall, you'll need two screws and wall anchors (not included).

1. Drill two holes aligned vertically, one 3 1/4" higher than the other, and insert the wall anchors.
2. Drive the screws into the anchors until the head of each screw sticks out about 1/8" from the wall.
3. Plug the phone connector into the telephone wall jack.
4. Plug the power adapter into the telephone base and a nearby AC power outlet.
5. To hang the phone base, simply align the holes on the bottom of the base with the screws on the wall and slide the base down until it locks into place.
6. To hang up handset, pull cradle hook to down position.



USING YOUR PHONE

Now that the handset batteries have charged overnight (at least 12 hours) your Cobra Intenna Cordless Phone is ready to use.

To Answer A Call At The Base



When the phone rings, simply pick up the handset from the base and the TALK button will automatically light. When you hang up the handset in the base, it disconnects.

To Place A Call At The Base



Pick up the handset from the base, then press and release the TALK button. When you hear the dial tone, place your call.

To Answer or Place A Call Away From The Base



The TALK button must be off (not lit) when the handset is away from the base and not in use. Press and release the TALK button and, when your conversation is finished, press the TALK button again to disconnect. If you replace the handset in the base, the TALK button will disconnect automatically.

Note: Some cordless telephones operate at frequencies that may cause interference to nearby TV's and VCR's. To minimize or prevent such interference, the base of the cordless telephone should not be placed near or on top of TV's or VCR's. If interference is experienced, moving the cordless telephone base further away from the TV or VCR will often reduce or eliminate the interference.

USING THE MEMORY DIALING FEATURE

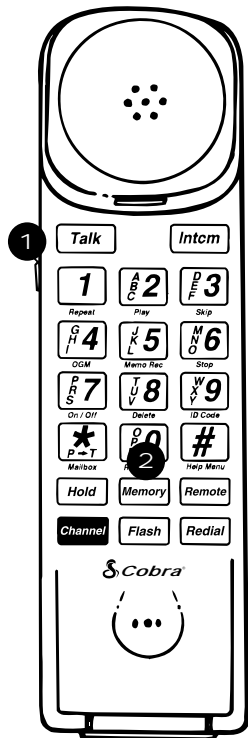
Memory dialing lets you store and dial 10 commonly-called telephone numbers automatically. No more fumbling with the phone book, guessing at numbers or accidentally misdialing the people you call most.

To Store A Number In Memory

1. With the handset turned off (TALK button off), press and release the MEMORY button.
2. Dial the phone number you wish to store, including area code if different from your own, up to 16 digits long.
3. Press and release the MEMORY button again.
4. Press any keypad button between 1 and 0, which will assign the phone number to that memory location. You will hear 2 double beeps, which means that the number was properly stored. If you hear nothing, press and release MEMORY and repeat the steps again. Follow these same steps for every number you wish to store, assigning each to a keypad number, 1 through 0.

Creating A Directory

3. As you are programming the memory bank, you will want to keep track of whose number you are assigning to each location. When finished, you may indicate who is assigned to each number by filling in the directory adhesive label included. This provides a quick and easy reference. You may place this directory in any convenient location on handset or base.



Directory

3	1	_____
	2	_____
	3	_____
	4	_____
	5	_____
	6	_____
	7	_____
	8	_____
	9	_____
	10	_____

To Store A Number Longer Than 16 Digits

For telephone banking or alternate long distance service, you may need to program a number that is longer than 16 digits. To do so, you will need to divide the number between two different memory locations. Example: Store an alternate long distance access number in location 1 and your personal identification number for that service in location 2. Please call your Cobra Consultant at 1-773-889-3087 for additional guidance.

To Dial A Number Stored In Memory

1. Press TALK to get a dial tone.
2. Press MEMORY.
3. Press the keypad button (1-0) that you assigned to the number you wish to call, and your Cobra Antenna will dial the number automatically.

NOTE: For numbers longer than 16 digits, stored separately, follow steps 1, 2, and 3 above, then press MEMORY and keypad for second number.

To Replace Or Change A Number Stored In Memory

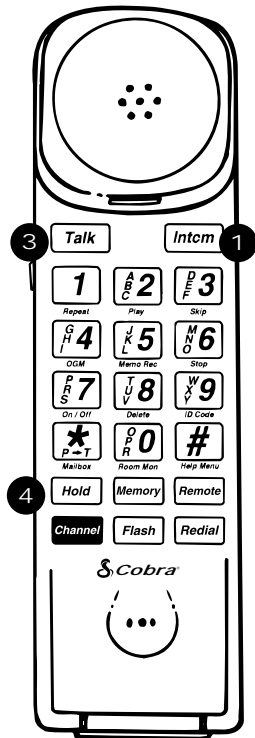
Simply repeat the steps under "To Store A Number In Memory", found on the facing page. The new number will automatically replace the previous number stored.

NOTE: Numbers stored in memory may be lost when you disconnect from AC power, if the 9V battery runs down completely or is not installed. Follow the steps under "To Store A Number In Memory" if you need to program the numbers again.

USING THE BUILT-IN INTERCOM/PAGING SYSTEM

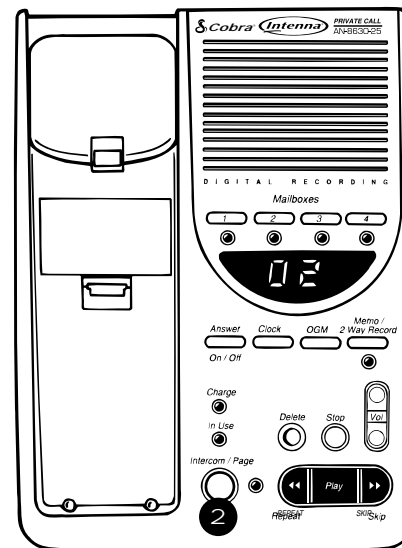
Call Dad to dinner, monitor the baby while you do laundry or keep an ear out to make sure that the children aren't hurt. These options, along with many others, are at your fingertips with your Cobra Antenna because it doubles as a two-way intercom/paging system between the base and the handset—and outside calls will still come through! If you should misplace the handset, simply activate the pager and follow the signal until you locate it.

See next page for details.



1 To Use The Intercom

1. If you are at the handset and wish to speak with someone at the base, press and release INTCM which will sound three beeps and light the red indicator next to the INTERCOM/PAGE button on the base. The person may then respond just by speaking into the base.
2. If you are at the base and wish to page someone at the handset, press and release INTERCOM/PAGE, which will sound a series of three beeps and light the INTCM button on the handset. The person may then respond by pressing INTERCOM and speaking into the handset. The LED display will read **In**.
3. To end the conversation, simply press the INTCM button on the handset again. You cannot disconnect the INTCM from the base.
4. If you receive a call during an intercom conversation, you will hear a low volume ringing in the handset. Press TALK, which will disconnect the intercom and connect you with the incoming call.
5. If you wish to page someone at the base while you are talking on the phone, press HOLD then INTCM. TALK button will flash to remind you you have a call on hold. Press TALK to disconnect Intercom and resume your phone call.
6. If someone tries to reach you on the Intercom while you are talking on the handset, you will hear three rings. Press HOLD, then INTCM on the handset. (The base will beep and Intercom will activate. LED will flash when there is a call on hold). Your caller will then be put on hold while you answer the INTCM. The TALK button will flash to remind you that you have a call on hold. Press TALK again to disconnect the INTCM and reconnect with your telephone call.



To Use The Intercom/Pager As A Handset Locator

1. To locate a misplaced handset around the home, press and release the INTERCOM/PAGE button on the base.
2. The handset will sound a series of three beeps for 30 seconds, giving you time to locate it. Once found, press and release the INTCM button on the handset twice to eliminate the signal.
3. If you have not located the handset in 30 seconds, repeat steps above.

To Use The Intercom As A Monitor

Monitor the room in which the base is located from another location using the Intercom feature.

1. Press INTCM button on handset. This engages the Intercom microphone in the base, allowing you to listen to the base location area.
2. Listen through the handset for as long as you like.
3. Disconnect by pressing INTCM again.
4. If you receive an incoming call while you are using the monitor, you will hear a ringing in the handset.
5. Press TALK to connect the call. The Intercom is automatically disconnected.

USING THE 2-WAY RECORDING FEATURE

If you want to record your conversation, you must ask the person to whom you are speaking for their permission. Press and **immediately** release the MEMO/2-WAY record button. The LED display will read 2-. To stop recording, press STOP button or hang up.

USING THE DIGITAL ANSWERING SYSTEM FROM THE BASE

Your new Cobra Antenna Cordless Phone Answering System is equipped with an all-digital answering system built right in. That means there are no cassette tapes to malfunction, break or replace. It allows a full 20 minutes recording time (most tapes allow only 15 minutes per side) and permits each caller 2 full minutes to leave you a message (most messages average only a minute each).

Getting Ready

- 1** LED DISPLAY
1. Make sure digital display is on. If display is blank, press ANSWER/ON/OFF button and display will light.
- 2** ANSWER ON/OFF
2. Set the NUMBER RINGS selector, located on the side of the base:
2 position: System answers on the 2nd ring
5 position: System answers on the 5th ring
T/S (toll-saver): System answers on 5th ring if there are no messages waiting and on the 2nd ring if there are. This is useful if you will be calling in to retrieve messages long distance or from a pay phone. If the phone rings 3 times, you know you have no messages and may hang up without paying for the call.

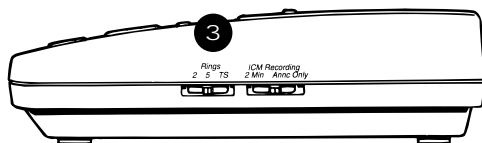
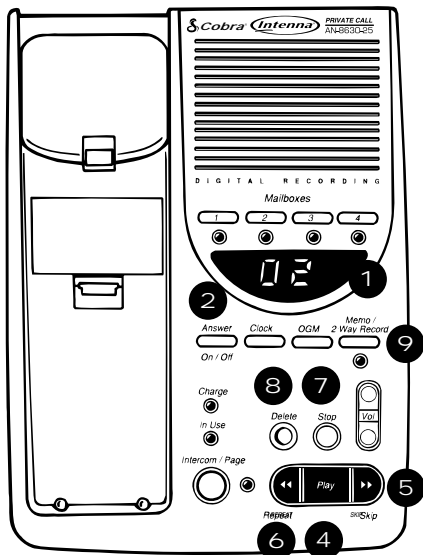
NOTE: If you are using the Mailbox feature, please refer to the specific guidance on pages 20-21.

To Set Clock And Record Your Outgoing Message

Please follow instructions in "Getting Set-Up" Section, p.9.

To Access Your Incoming Messages

- 1** LED DISPLAY
1. The number of messages in the general box will be shown on the LED display.



- 4** PLAY BUTTON
2. Press and release the PLAY button to hear messages from the beginning. VOICE HELP and the LED display will indicate number of message being played.

- 5** SKIP BUTTON
3. To bypass a message, press and release ►► SKIP button.
- 6** REPEAT BUTTON
4. To hear a message over, press and release ◀◀ REPEAT button.
- 5** To go forward or backward to any message press ►► SKIP or ◀◀ REPEAT until the number of the message you wish to hear appears in the LED display window. Release the button and that message will play.
- 6** If you wish to hear only part of a longer message again (to get a name or phone number, for example), locate the message and "scroll" through by pressing and holding PLAY. It will skip ahead by 10 second jumps (identified by a beep). Resume regular play of message anytime by releasing PLAY.

- 7** STOP BUTTON
7. While listening to messages, you may pause or stop the system. To do so, press STOP and the system will pause for 30 seconds. The LED display will indicate [PA] (pause).

- 1** LED DISPLAY
A. Resume message play by pressing and releasing the PLAY button.
- 4** PLAY BUTTON
B. Play next message by pressing and releasing the ►► SKIP button.
- 5** SKIP BUTTON
C. After all messages have played, a beep will sound and VOICE HELP will inform you that all messages have been played and that they are being saved.

To Erase Your Messages

- 8** DELETE BUTTON
1. To erase a message as it is playing, press and release the DELETE button. Only the message being played will be deleted and the system will move on to the next message. The message number will change at the end of play. VOICE HELP will inform you that the message is being deleted, but that you may still save it by pressing the REPEAT ◀◀ button. Do nothing, and it will be deleted.
- 6** REPEAT BUTTON

- 8** DELETE BUTTON
2. To erase all messages, simply press and hold DELETE while the system is not in use. VOICE HELP will inform you when all messages have been deleted. When delete is finished, the display will read "0".
- 1** LED DISPLAY

To Screen A Call From The Base

If the phone rings while you are at the base and the handset is in the cradle, you may determine if you want to answer the call or not.

1. Let the system answer and listen to the caller's voice over the speaker. If you wish to take the call, lift the handset.
2. If you do not wish to take the call, do nothing and the system will record the message.

To Record A Memo At The Base

- 9** MEMO/2 WAY RECORD BUTTON
1. Press and hold the MEMO/2 WAY RECORD button. Display will read []
2. VOICE HELP will direct you to listen for a beep, then record your memo.
3. MEMO button will flash to indicate that there is a message, and memo message will be added to display. Use this feature to leave a message for someone who will be picking up messages—it's an "electronic" note!

To Retrieve A Memo From The Base

- 4** PLAY BUTTON
4. Press and release the PLAY button, just the same as if you had received a telephone message.

USING THE DIGITAL ANSWERING SYSTEM FROM THE HANDSET

You may listen to messages and receive or screen calls from your handset using the same commands that you use from a remote location. The handset indicates the correct keypad numbers to use for various functions, and, of course, VOICE HELP guides you through.

To Access Messages From The Handset

1. Press and release REMOTE button; TALK button will flash.
2. If you have new messages, they will automatically play.
3. To play back all messages, press and release 2 then 2 again
4. To skip ahead, press and release 3
5. To repeat current message, press and release 1
6. To delete current message, press and release 8
7. To delete all messages, press and release 8 then 2
8. To stop playback, press and release 6
9. If you need assistance, press # for VOICE HELP.

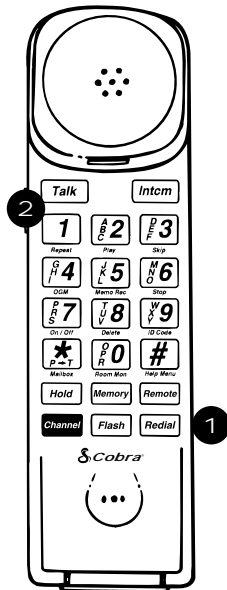
To Screen Calls From The Handset

1. Press and release REMOTE button on handset while the phone is ringing, the Outgoing Message is playing or the caller is speaking.
2. If you wish to connect, press and release the TALK button.
3. If you want the system to take a message, press REMOTE again to disconnect from Call Screening.

NOTE: During Call Screening, LED display reads **CS**

USING THE DIGITAL ANSWERING SYSTEM FROM A REMOTE LOCATION

Retrieve Incoming Messages, record a new Outgoing Message and even turn the Cobra Intenna Answering System on or off from any touch-tone telephone, anywhere in the world. You're never more than a phone call away when you need to be in touch!



When The Memory Is Full

When the message recording capacity of 20 minutes has been reached, the LED display indicator will flash FL (full). The system will ring 10 times before answering, the caller will hear your OGM and the system will disconnect. You will need to delete messages in order for it to be able to record again.

Getting Ready

To access your messages (and keep others from doing the same) from a remote location, you will need to establish a Remote Security Code. Your Answering System comes with a built-in code of "99", which you may keep by doing nothing, or change. To change the Remote Security Code:

1. Press and release REMOTE button on the handset.
2. Press 9 on your handset and the current security code will be announced.
3. Enter a new 2-digit security code between 00 and 99. VOICE HELP will announce your new code.

To Access Your Incoming Messages From A Remote Location

1. Call your telephone number from any touch-tone telephone.
2. When the system answers, gain access by entering your Remote Security Code (see above) at any time. VOICE HELP will tell you how many new and saved messages you have and automatically begin playing new messages.
3. To play all messages, press and release 2 then 2 again.
4. To skip ahead, press and release 3.
5. To repeat current message, press and release 1.
6. To delete current message only, press and release 8.
7. To stop playback at any time, press and release 6.
8. When all messages have played, a beep will sound and VOICE HELP will tell you that all messages have played and ask for another command. If no command is entered, remote will announce and disconnect after 10 seconds.
9. To erase all messages, press and release 8 then 2.

NOTE: Don't forget to carry your handy wallet card for reference in using the remote. Lost it? See p. 30.

To Record An Outgoing Message From A Remote Location

1. Call your telephone number from any touch-tone telephone.
2. Enter your Remote Security Code.
3. Press 4, listen for VOICE HELP, then begin recording.
4. When finished recording, press 6 and your new Outgoing Message will play back for you.

If you wish to re-record the message, repeat steps 3 and 4.

To Record A Memo From A Remote Location

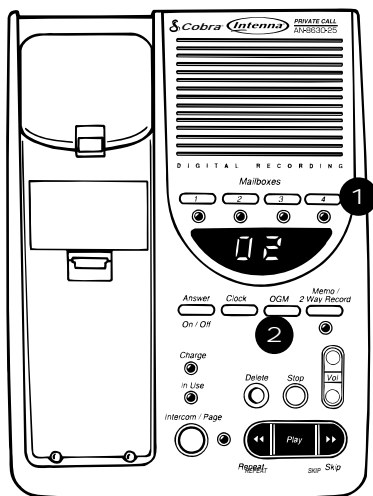
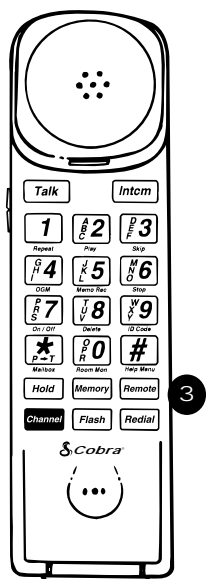
1. If you are in the process of listening to messages, you must either stop, by pressing 6, or wait until the last message has played to record a memo.
2. Press 5 and follow VOICE HELP to record your memo.

To Turn Your System On From A Remote Location

1. Call your phone number from a touch-tone phone; it will ring 10 times and you will hear your Outgoing Message.
2. Enter your Remote Security Code.
3. Enter 7. You will hear a VOICE HELP confirmation and may then proceed with any other remote operation. Your wallet card or VOICE HELP will assist you through any function that you may wish.

When The Memory Is Full During Remote Playback

When the message recording capacity of 20 minutes has been reached the system will ring 10 times before answering. When it answers, you will hear your OGM. Enter your Remote Security Code and you will be able to access the system. You will need to delete messages before the system is able to record again.



USING THE MAILBOX FEATURE

Your new Cobra Antenna Cordless Telephone Answering System comes equipped with Voice Mailboxes (similar to those found in many businesses) that let callers select and direct their message to the entire household or just one of the 4 individual "Mailboxes". This feature is especially useful in households where teenagers are present, where one or more family members receives numerous calls or for families with home-based businesses. A great idea for roommates, too! The advantages, of course, are that callers can leave private messages for specific individuals and other members of the household won't have to listen to, speed through or accidentally erase messages that aren't for them.

To Program Your Cobra System As A Mailbox

- MAILBOX BUTTONS** Each individual or business is assigned a Mailbox number, either 1, 2, 3 or 4.
- Change your announcement to one that will instruct callers on how to access a specific Mailbox. All messages will be recorded in the General Mailbox, if not directed by the caller to another Mailbox.
- To record your Outgoing Message, please see directions on page 9. An example of a general Mailbox Message might be:

"Thank you for calling the Smith house. Sorry we can't take your call right now, but if you would like to leave a message for (Home Business Name) please press ★ (Star) then 1; To leave a message for Susan, press ★ then 2; To leave a message for Mr. Smith, press ★ then 3; To leave a message for Mrs. Smith, press ★ then 4. To leave a message to the entire family, wait for the beep; you will have 2 minutes to speak".

After the caller presses ★ then a number (1, 2, 3 or 4) they will be connected to the Mailbox indicated and will hear the Mailbox number, then the individual Outgoing Message if one has been recorded. It is not necessary to use all 4 available Mailboxes. However, they are always accessible and may be used at any time.

To Record Individual Mailbox Outgoing Messages

- MAILBOX BUTTONS** Press the personal Mailbox button (1, 2, 3 or 4.)
- OGM (Outgoing Message) BUTTON** Press "OGM" (Outgoing Message) button. VOICE HELP will direct you to record a personal message after the beep and then play it back for you.
- Mailbox number will be announced even if no individual OGM is recorded.

To Access General Mailbox Messages

General messages may be accessed by anyone, either from the base or the remote handset, simply by pressing the PLAY button on the base or REMOTE button on the handset, just as you would if the Mailbox feature were not being used.

To Access Individual Mailbox Messages From Base

- MAILBOX BUTTONS** Individual messages will not be reflected in the LED window, but a flashing red light under each Mailbox button indicates that there are one or more messages in that Mailbox.
- To access your Mailbox messages, press and release your MAILBOX button (1, 2, 3 or 4) on the base, then press PLAY. The LED display, along with VOICE HELP will indicate the number of messages stored in that Mailbox and play them. Follow instructions 2-7, p.17 under "To Access Your Incoming Messages".

To Record An Outgoing Message For An Individual Mailbox From A Remote Location

- Call your number from any touch-tone telephone.
- Enter your Remote Security Code during the Outgoing Message.
- Enter the ★ then the number of the Mailbox (1, 2, 3 or 4) you wish to access.
- Press 4 to record OGM. Press 6 when finished. To access another Mailbox, press ★ then Mailbox number; to re-access general Mailbox, press ★ then 0.

To Access Mailbox Messages From A Remote Location

- Call your number from any touch-tone phone.
- Enter your Remote Security Code during the Outgoing Message.
- Enter ★ then the number of the Mailbox (1, 2, 3 or 4) you wish to access. Follow instruction 3-9, p.19 under "To Access Your Incoming Messages From A Remote Location".
- To access the general Mailbox, do nothing. To re-access it from a personal Mailbox press ★ then 0.

To Record An Outgoing Message For An Individual Mailbox From Handset

- REMOTE BUTTON** Press REMOTE button.
- Enter ★ then the number of the Mailbox (1, 2, 3 or 4) you wish to access.
- Press 4 to record OGM. Press 6 when finished. To access another Mailbox, press ★ then Mailbox number; to re-access general Mailbox, press 0.

To Access Mailbox Messages From Handset

- REMOTE BUTTON** Press REMOTE button.
- Enter ★ then the number of the Mailbox (1, 2, 3 or 4) you wish to access. Follow instructions 3-9, p. 19 under "To Access Your Messages From A Remote Location".
- To access the general Mailbox, do nothing. To re-access it from a personal Mailbox, Press ★ then 0.

ADDITIONAL FEATURES OF YOUR NEW COBRA ANTENNA CORDLESS TELEPHONE ANSWERING SYSTEM

Aside from the features that have already been outlined, your Cobra Antenna Cordless Telephone Answering System is easier to program and use than ever before because many of the features you want most are built right in—You don't have to do a thing!

• BUILT-IN ANTENNA

There's no unsightly antenna to extend, nothing to get bent or broken or possibly even cause physical harm, because antennas are built into the handset and base. That, along with our Clear Call® PLUS Compander Noise Reduction system which minimizes background noise and interference for optimum audio performance, makes the Intenna quality comparable to a standard corded phone.

• SCRAMBLED SIGNALS

Although you may not realize it, other people with cordless phones, baby monitors or scanners may be listening in on your conversations. This is especially disturbing when discussing personal information such as credit card numbers, vacation plans, etc. over the phone. Cobra's Private Call™ Voice Scrambling system eliminates that worry forever!

• 25-CHANNEL RECEPTION

Your Cobra Antenna automatically scans to find a clean channel from the 25 channels every time you pick up the handset, to offer you the clearest, noise-free connection available. Should interference occur during a conversation, simply press and release the CHANNEL button on the handset until you reach a clear channel.

• DIGITAL SECURITY

Your Cobra Antenna is manufactured with 65,000 randomly generated security codes.

• ILLUMINATED KEYPAD

When the phone rings, you lift the handset or touch any button, the keypad automatically lights up, making it easy to read and use, even in the darkest room or late at night.

• ELECTRONIC HOLD

Save time and steps in houses with more than one telephone. After you've put a call on hold your Intenna automatically releases when you, or someone else, picks up another handset on the same line. No need to come back and turn it off, because it turns itself off automatically. Combine this with the Intercom feature for added convenience. (See p. 14).

• LAST NUMBER REDIAL

When the number you've dialed is busy, just get a dial tone and press and release the Redial button and your Cobra Intenna will automatically redial that number.

• VOICE HELP

Not sure what to do next? The digital VOICE HELP feature guides you through every process to help you get the most use out of your Cobra Intenna. For help from a remote location, press # and VOICE HELP will list your menu options for you. From Cordless Handset, press REMOTE button, then # for VOICE HELP menu.

• LED DISPLAY WINDOW

Large, easy-to-read digits display the number of messages stored, alert you to a power failure or malfunction and helps guide you through various procedures.

• FLASH BUTTON

Press and release the FLASH button to briefly interrupt the phone line and access some of the advanced options like "Call Waiting" or "Three Way Calling" that may be offered by your telephone company at an extra charge.

• HANDSET VOLUME CONTROL

You can change the volume of your caller's voice from low to high and vice versa by pressing the volume control Up/Dn button located on the side of your handset.

• HEARING AID COMPATIBLE (HAC)

Your Cobra Intenna handset is specially designed to be compatible with standard hearing aid systems.

• OUT-OF-RANGE SIGNAL

When you press the TALK button and immediately hear three beeps, you know your handset is too far away from the base to work properly. Move closer to the base and try your call again.

• ANNOUNCE ONLY OUTGOING MESSAGE

Simply slide the ICM Recording switch located on the side of the base to the ANNC ONLY position and your Cobra quits taking incoming messages and just plays your outgoing message. (You will want to change your outgoing message to reflect that). Upon switching, the VOICE HELP prompts you to record an outgoing message if none is recorded. The LED display will read **AO** (Announce Only), to let you know no incoming messages can be received. To receive incoming messages again, slide the ICM Recording switch back to "2 Min".

• BASE ELECTRONIC VOLUME CONTROL

Gradually move from low to high volume and vice-versa by pressing either end of the VOL button on the base.

• PULSE/TONE SWITCH

Your Cobra Intenna may be set to either PULSE or TONE, (depending upon your phone system) by flipping the switch located on the back of the base. Mixed PULSE and TONE dialing may be used (when needed to access certain long-distance or computerized banking services) by setting the base switch to PULSE and pressing the ★ button on the handset to temporarily switch to TONE. Hanging up resets to PULSE.

• RINGER SWITCH

You're taking a nap, watching your favorite TV show or just got the baby to sleep and don't want to be disturbed. Temporarily turn off the ringer by moving the switch on the back of the base into the off position. The answering system remains on, taking messages for later.

• 2-DIGIT DISPLAY CODES

Easy-to-understand LED codes tell you instantly if there are messages waiting or a system problem.

FLASHING **CL**

Day/time not set

FLASHING **An**

Outgoing Announcement not recorded

In

Intercom in use

dL

Message being deleted

CS

Call Screening

2-

2-Way Recording

--

Memo Recording

FLASHING **FL**

Digital message center full. No more messages can be recorded

AO

Announce only: no incoming messages will be recorded

NUMBER DISPLAY

Messages in General Mailbox

PA

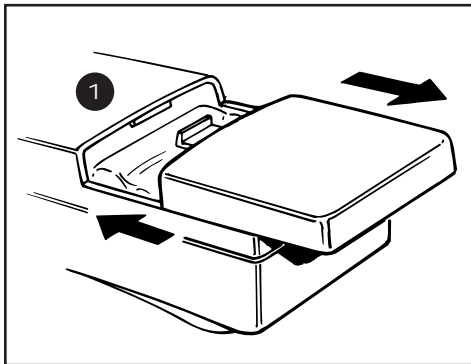
Message play paused by pressing STOP Button. Resume by pressing PLAY.

RECHARGEABLE BATTERY INFORMATION

Your Cobra Antenna Cordless Telephone Answering System comes complete with a rechargeable nickel-cadmium battery already in the handset. You will need to charge the battery by plugging in the base, placing the handset in the base and letting it charge overnight (at least 12 hours).

Battery Recharging

There are three things that can happen to indicate that your handset battery needs recharging. When one of these three things occurs, you will need to return the handset to the base and recharge for at least 12 continuous hours.



1. The TALK Button on the handset flashes.
2. A 2-beep warning sounds while you are using the phone. This indicates that you have just a few minutes of power left to complete your conversation before the phone disconnects.
3. The handset beeps at 30 second intervals for five minutes when it has been away from the base too long. After five minutes, it will not flash or beep, nor will you be able to get a dial tone. Return the handset to the base for recharging.

NOTE: To prevent your batteries from running out of power, Cobra suggests that you leave the handset in the base as much as possible when not in use. The CHARGE indicator will remain on as long as the handset is in the base, even after the batteries are fully recharged. This will not damage the batteries.

Replacing The Battery

Your phone uses a Ni-Cad battery which can lose its ability to take a charge after several hundred hours of use. If you notice a shorter talk time after charging, your battery may need replacing.

If you have recharged the battery for 12 hours or more and the handset does not work when the TALK button is pressed, you may need to replace the battery. To order a new battery, call Cobra toll-free at 1-773-889-3087, or remove it from the handset and take it to a local hardware store or home center store to be certain that you are getting the proper replacement battery.

To Remove/Replace The Handset Battery



1. To remove the battery door, press and slide downward.
2. Carefully disconnect the battery pack and dispose of it properly. See BATTERY DISPOSAL below.
3. To replace, connect the new battery and replace the door. Return the handset to the base and charge the battery overnight (at least 12 hours).

To Clean The Charging Contacts

The two metal charging contacts on both the handset and the base should be cleaned regularly with a soft, dry cloth for optimum recharging performance.

To Dispose Of Your Battery

The rechargeable nickel-cadmium (NiCad) battery in this product must be recycled or disposed of properly in compliance with all applicable laws. Certain states or municipalities require recycling and have established collection programs. Please contact your local waste removal authority for instruction or return to Cobra for recycling. Wrap carefully and mail postage prepaid to:

COBRA ELECTRONICS CORPORATION

6500 W. Cortland Street
Chicago, IL 60707
Attn: Battery Recycling

Do not put batteries into fire or expose to high heat. They may explode.

"Contains Nickel-Cadmium rechargeable batteries. Must be recycled or disposed of properly."



COBRA ANTENNA CORDLESS TELEPHONE ANSWERING SYSTEM TROUBLESHOOTING CHECKLIST

If your system does not operate properly, please take a moment to run through this checklist and refer to the appropriate sections of this guide.

If the problem persists,
don't hesitate to call :

1-773- 889-3087

8 a.m. to 8 p.m. CST,
Monday through Friday
(except holidays)

CORDLESS TELEPHONE:

- ✓ **The phone is dead; there are no indicator lights on.**

Are the power cord and telephone cord properly connected? If so, battery power has run out. Return handset to base and charge for 12 or more hours.

- ✓ **The handset beeps during conversation or away from the base.**

The battery needs to recharge or be replaced. Return it to the base for overnight charging.

- ✓ **Poor sound quality; too much interference.**

Don't cover the top section of the handset with your hand or rest it on your shoulder. This blocks the internal Antenna. Try switching to a different channel as well.

- ✓ **The handset disconnects, loses performance and/or beeps when in use away from the base.**

You may be out of range or the battery needs recharging. Move closer to the base and/or recharge the battery overnight.

- ✓ **Handset doesn't work after power outage or after disconnecting and reconnecting the system.**

Return the handset to the base for about 30 seconds to automatically reset the security codes.

ANSWERING SYSTEM:

- ✓ **Power doesn't seem to be on.**
 - Make sure power adapter is properly connected to a working outlet and the jack on the back of the answering system.
 - Press the ON/OFF button to make sure the display window is working.
- ✓ **Answering system does not answer calls.**
 - Make sure telephone cord is connected to a working telephone line and that 0 or a number appears in display window.
 - Press the ON/OFF button to make sure the display window is working.
 - Disconnect AC adapter and battery back-up for a few seconds then reconnect. If display is flashing AN, record an OGM.
 - If display is flashing FL, memory capacity has been reached and messages must be erased.
- ✓ **System will not play messages.**

Make sure display shows a number of messages. If there are no messages recorded, display reads "0". Press PLAY and VOICE HELP will confirm.
- ✓ **System will not play messages from a remote location.**
 - Power has failed in base and no 9V battery back-up is installed.
 - You are not using a touch-tone phone.
 - Be sure you are pressing commands correctly, as directed by VOICE HELP.

- ✓ **Remote System rings 10 times before answering.**
 - Memory is full; you need to delete messages.
 - Power has failed and no 9V battery back-up is installed in base; re-record OGM.
 - Press # for Help Menu
- ✓ **System will not record my out-going announcement.**

Memory is full; you need to delete messages.
- ✓ **CL is flashing.**

Day/time needs to be set. VOICE HELP will announce "No Time Set" after incoming message is played.
- ✓ **Personal Remote Security Code fails to access system.**

Power failure at system location has automatically reset code at 99. Enter 99 and proceed with functions. Press 9 to program new code.
- ✓ **My recorded announcement sounds weak or distant.**

Re-record, being sure to speak no further than 6 inches from the mic, located in small slot on front of base.

IF YOU THINK YOU NEED SERVICE, CALL 1-773-889-3087

You may be asked to send your unit to the Cobra factory. It will be necessary to furnish the following in order to have the product serviced and returned.

1. For Warranty Repair include some form of proof-of-purchase, such as a mechanical reproduction or carbon or a sales receipt. If you send the original receipt it cannot be returned.
2. Send the entire product. Must include telephone handset, base and all cords.
3. Enclose a description of what is happening with the unit. Include a typed or clearly printed name and address of where the unit is to be returned.
4. Pack unit securely to prevent damage in transit. If possible, use the original packing material.
5. Ship prepaid and insured by way of a

traceable carrier (to avoid loss in transit), such as United Parcel Service (UPS), Roadway Parcel Service (RPS) or First Class Insured Mail to: Cobra Factory Service, Cobra Electronics Corporation, 6500 W. Cortland St., Chicago, IL 60635. Cobra is not responsible for units not received if package has not been properly insured.

6. If the unit is in warranty upon receipt of your unit it will either be repaired or exchanged depending on the model. Please allow approximately 3 to 4 weeks before contacting us for status. If the unit is out of warranty a letter will automatically be sent informing you of the repair charge or replacement charge. If you have any questions, please call 1-773-889-3087 for assistance.

For technical assistance, please call our Automated Help Desk which can assist you by answering the most frequently asked questions about Cobra products.

(773) 889-3087

24 hours a day, 7 days a week.

A Consumer Service Representative can be reached through

this same number 8:00 am - 8:00 pm, Monday through Friday, CST.

Technical assistance is also available on-line in the Frequently Asked Question (FAQ) section at www.cobraelec.com or by e-mail to productinfo@cobraelec.com

REGISTERED WITH THE FCC

Please note: This cordless telephone system operates in accordance with part 15 and part 68 of FCC rules. Operation is subject to two conditions: 1) It may not interfere with radio communications, and 2) It must accept any interference received, including that which may cause undesirable operation. See the Operational Features section of this booklet for ways to reduce interference.

Your telephone company is required by the Federal Communications Commission to allow you to connect FCC registered telephones to their lines.

The FCC requires you to provide information, if requested by the local telephone company, about the connection of an FCC registered telephone to their lines. They may ask you for the FCC registration number and the ringer equivalence number (REN), both of which are on the bottom of the base. They may also ask for the Universal Service Order Code (USOC) number, which is RJ-11C.

Continued on the next page

REGISTERED WITH THE FCC continued

It is illegal to use this phone on a party line or to connect it to a coin-operated telephone.

Warning: Changes or modifications to this unit not expressly approved by the party responsible for compliance could void the user's authority to operate the equipment. NOTE: This equipment has been tested and found to comply with the limits for a Class B digital device, pursuant to Part 15 of the FCC Rules. These limits are designed to provide reasonable protection against harmful interference in a residential installation. This equipment generates, uses and can radiate radio frequency energy and, if not installed and used in accordance with the instructions, may cause harmful interference to radio communications.

However, there is no guarantee that interference will not occur in a particular installation. If this equipment does cause harmful interference to radio or television reception, which can be determined by turning the equipment off and on, the user is encouraged to try to correct the interference by one or more of the following measures:

- Reorient or relocate the receiving antenna.
- Increase the separation between the equipment and receiver.
- Connect the equipment into an outlet on a circuit different from that to which the receiver is needed.
- Consult the dealer or an experienced radio/TV technician for help.

LIMITED ONE-YEAR WARRANTY

COBRA ELECTRONICS CORPORATION warrants that its COBRA cordless telephone products, and the component parts thereof, will be free of defects in workmanship and materials for period of one (1) year from the date of first consumer purchase. This warranty may be enforced by the first consumer purchaser, provided that the product is utilized within the U.S.A.

Cobra will, without charge, repair or replace, at its option, defective cordless telephone products or component parts upon delivery to the Cobra Factory Service Department, accompanied by proof of the date of first consumer purchase, such as a duplicated copy of a sales receipt.

You must pay any initial shipping charges required to ship the product for warranty service. The return charges will be at Cobra's expense if the product is repaired or replaced under warranty. For further details concerning procedures for obtaining service, see the "If You Need Service" section of this Owner's Manual.

Exclusions: This limited warranty does not apply 1) to any product damaged by accident, improper line voltage or weather related circumstances; 2) in the event of misuse or abuse of the product or as a result of unauthorized alterations or repairs; 3) to non-defective original equipment Nickel Cadmium rechargeable batteries; 4) if the serial number has been altered, defaced or removed; or 5) if the owner of the product resides outside the U.S.A.

All implied warranties, including warranties of merchantability and fitness for a particular purpose, are limited in duration to the length of this warranty. Cobra shall not be liable for any incidental, consequential or other damages, including, without limitation, damages resulting from loss of use or cost of installation.

Some states do not allow limitations on how long an implied warranty lasts and/or do not allow the exclusion or limitation of incidental or consequential damages, so the above limitations may not apply to you.

This limited warranty gives you specific legal rights, and you may also have other rights which vary from state to state.

Cobra Electronics Corp. 6500 W. Cortland Street Chicago, IL 60707


AN8630-25

NEED HELP? **1-773-889-3087**

WALLET REMINDER CARD

Don't forget to carry your handy wallet card. Lost it?
Just copy this section, cut out and save.

COBRA DIGITAL ANSWERING SYSTEM REMOTE OPERATION (AN-8630-25)

- Call your phone number from a touch tone phone.
- Enter your security code during greeting.

--	--

(PRINT CODE IN BOX)

- Enter Mailbox code for individual mailbox. No mailbox code is necessary for general mailbox unless you wish to re-access it from individual mailbox.

Mailbox Codes:

- | | |
|-------------------|-------------------------|
| ★ 1 for Mailbox 1 | ★ 4 for Mailbox 4 |
| ★ 2 for Mailbox 2 | ★ 0 for General Mailbox |
| ★ 3 for Mailbox 3 | |

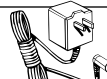
Function Codes:

- | | |
|---|-------------------------|
| 1 Repeat | 7 System On / Off |
| 2 1 Resume Play | 8 Single Message Delete |
| 2 2 Play All Messages | 8 2 All Messages Delete |
| 3 Skip | 9 ID Code Change |
| 4 OGM Recording | 0 Room Monitor |
| 5 Memo Recording | # Help Menu |
| 6 (Multi Function) | |
| a) Pause Play or b) Stop Memo / OGM Record or | |
| c) Leave Current Function | |

COBRA DIGITAL ANSWERING SYSTEM REMOTE OPERATION (AN-8630-25)

1	2	3
◀ REPEAT	PLAY ▶	SKIP ▶▶
4	5	6
OGM	MEMO	STOP
7	8	9
ON/OFF	DELETE	CODE
*	0	#
MAILBOX	ROOM MONITOR	HELP

Cobra Cordless Phone Answering System Accessories

Description	Part No.	Cost Ea. X Qty. = Amount		
NICKEL-CADMIUM BATTERY PACK ASSEMBLY For use with model AN-8630-25	213-013-9-001	\$15.00		
 AC POWER ADAPTER For use with model AN-8630-25	768-023-N-001	\$15.00		

(Prices subject to change without notice.)

- ** Illinois residents add 7%
- ** Cook Co. residents add .75% (7.75% total)
- ** Chicago residents add 1% (8.75% total)
- ** Indiana residents add 5%
- ** Michigan residents add 4 %
- ** Minnesota residents add 6%
- ** Ohio residents add 6%
- ** Wisconsin residents add 5%

Amount	_____
(Tax if applicable)	_____
Shipping/handling	\$3.75
Total	_____

Make check or money order (no stamps) payable to:
Cobra Accessories Dept.
6500 W. Cortland St., Chicago, IL 60707
Call 1-773-889-3087 or FAX 1-773-622-2269 (for credit card orders)

Please print clearly:

Name _____
Address (Not P.O. Box) _____
City _____ State _____ Zip _____
Credit Card No. _____ Exp. Date _____
Customer Signature _____
Circle One: Visa MasterCard Discover

Allow 4 to 6 weeks for delivery. Offer valid in Continental U.S. only.



COBRA ELECTRONICS CORPORATION
6500 W. Cortland Street, Chicago, IL 60707

NEED HELP? **1-773-889-3087**


AN8630-25

Free Manuals Download Website

<http://myh66.com>

<http://usermanuals.us>

<http://www.somanuals.com>

<http://www.4manuals.cc>

<http://www.manual-lib.com>

<http://www.404manual.com>

<http://www.luxmanual.com>

<http://aubethermostatmanual.com>

Golf course search by state

<http://golfingnear.com>

Email search by domain

<http://emailbydomain.com>

Auto manuals search

<http://auto.somanuals.com>

TV manuals search

<http://tv.somanuals.com>