

CP - 720

ANTENNA®

CORDLESS

TELEPHONE



**Cobra**®

**Cobra Electronics Corporation**  
6500 W. Cortland Street  
Chicago, IL 60635

# 24 HOURS A DAY, 7 DAYS A WEEK... WE'RE HERE FOR YOU!

Your new Cobra Intenna® is the world's first and only cordless system with no antenna to bend, break or interfere with your life. That, along with the fact that it's all digital and designed with a 32 NUMBER MEMORY plus SPEAKERPHONE makes this one of the most sophisticated, yet easy-to-use cordless telephone on the market today.

To get started, turn to page 6. Once charged, your phone will be ready to use. When you're ready to add more functions, simply refer back to the information guide for the feature you want and we'll help you through it, step by step.

Still can't get it to work?

Give us a call. Cobra wants to be your partner in clear communication.

CALL YOUR COBRA CONSULTANT  
AT  
**1-773-889-3087**

  
CP-720

## INFORMATION GUIDE

<b>Introduction</b>	<b>2</b>
<b>Information Guide</b>	<b>3</b>
<b>Important Safety Features</b>	<b>4 &amp; 5</b>
<b>Features Information</b>	<b>6</b>
<b>Things To Know/Getting Started</b>	<b>7</b>
<b>Wall Mounting</b>	<b>8</b>
On A Plate	
Directly On The Wall	
<b>Using Your Phone Handset</b>	<b>9</b>
To Answer A Call From The Base	
To Place A Call At The Base	
To Answer Or Place A Call Away From The Base	
<b>Memory Dialing</b>	<b>10 &amp; 11</b>
To Store A Number In Memory	
To Store A Number Longer Than 16 Digits	
Creating A Directory	
To Dial A Number Stored In Memory	
To Replace or Change A Number Stored In Memory	
<b>Intercom/Paging System</b>	<b>12 &amp; 13</b>
To Use The Intercom	
To Use The Intercom As A Monitor	
To Use The Pager As A Handset Locator	
<b>Speakerphone</b>	<b>13</b>
To Use The Speakerphone	
<b>Additional Features</b>	<b>14 &amp; 15</b>
<b>Rechargeable Battery Information</b>	<b>16 &amp; 17</b>
<b>Service Information/FCC Guidelines</b>	<b>18 &amp; 19</b>
<b>Troubleshooting Checklist</b>	<b>20</b>
<b>Order Form</b>	<b>23</b>

# IMPORTANT SAFETY INSTRUCTIONS

When using your telephone equipment, basic safety precautions should always be followed to reduce the risk of fire, electric shock and injury to persons, including the following:

1. Read and understand all instructions.
2. Follow all warnings and instructions marked on the product.
3. Unplug this product from the wall outlet before cleaning. Do not use liquid cleaners or aerosol cleaners. Use a damp cloth for cleaning.
4. Do not locate base unit near water, for example, near a bath tub, wash bowl, kitchen sink, or laundry tub, in a wet basement or near a swimming pool.
5. Do not place this product on an unstable cart, stand or table. The product may fall, causing serious damage to the product.
6. Slots and openings in the cabinet and the bottom or back are provided for ventilation, to protect it from overheating; these openings must not be blocked or covered. The openings should never be blocked by placing the product in the bed, sofa, rug or other similar surface. This product should never be placed near or over a radiator or heat register. This product should not be placed in a built-in installation unless proper ventilation is provided.
7. This product should be operated only from the type of power source indicated on the marking label. If you are not sure of the type of power supply to your home, consult your dealer or local power company.
8. Do not allow anything to rest on the power cord. Do not locate this product where the cord will be abused by persons walking on it.
9. Do not overload outlets and extension cords as this can result in the risk of fire or electric shock.
10. Never push objects of any kind into this

product through cabinet slots as they may touch dangerous voltage points or short out parts that could result in a risk of fire or electric shock. Never spill liquid of any kind on the product.

11. To reduce the risk of electric shock, do not disassemble this product, but take it to qualified servicemen when service or repair work is required. Opening or removing covers may expose you to dangerous voltages or other risks. Incorrect reassembly can cause electric shock when the appliance is subsequently used.
12. Avoid using telephone (other than a cordless type) during an electrical storm. There may be a remote risk of electric shock from lightning.
13. Do not use the telephone to report a gas leak in the vicinity of the leak.
14. Unplug this product from the wall outlet and refer servicing to qualified service personnel under the following conditions:
  - A. When the power supply cord or plug is damaged or frayed.
  - B. If liquid has been spilled into the product.
  - C. If the product has been exposed to rain or water.
  - D. If the product does not operate normally by following the operating instructions. Adjust only those controls that are covered by the operating instructions because improper adjustment of other controls may result in damage and will often require extensive work by a qualified technician to restore the product to normal operation.
  - E. If the product has been dropped or the cabinet has been damaged.
  - F. If the product exhibits a distinct change in performance.

The cordless handset operates on batteries. **CAUTION:** To reduce the risk of fire or personal injury, read and follow these instructions:

- A. Use only the battery pack supplied with the unit or identical replacement.
  - B. Do not dispose of battery pack in a fire. The cells may explode. Check with local codes for possible disposal instruction.
  - C. Since released electrolyte is corrosive and may cause damage to eyes or skin and may be toxic if swallowed:
    - C1. Do not open or mutilate battery pack.
    - C2. Always replace the entire battery pack rather than reusing one or more cells.
    - C3. Do not expose batteries to heat or flame.
  - D. Exercise care in handling the battery pack in order not to "short" the battery contacts with conducting materials such as rings, bracelets, and keys. The battery or conductor may overheat and cause burns.
15. Never install telephone wiring during a lightning storm.
  16. Never install telephone jacks in wet locations unless the jack is specifically designed for wet locations.
  17. Never touch uninsulated telephone wires or terminals unless the telephone line has been disconnected at the network interface.
  18. Use caution when installing or modifying telephone lines.

## Power Supply Specifications

This symbol signifies that only the Cobra AC Adapter supplied with this cordless telephone (Part No. 768-021-N-001) should be used

Input: AC 120V, 60Hz, 4W  
Output: DC 12V, 400mA



**SAVE THESE INSTRUCTIONS**

NEED HELP?

1-773-889-3087

## DID YOU KNOW THAT...

You can **REPLACE THE BATTERIES** in the handset yourself. It's fast and easy. **See page 18** for simple-to-follow instructions.

Your new Cobra Intenna Cordless Telephone has a true **TWO-WAY INTERCOM** built in. You can page from the base or the handset, use the intercom as a baby monitor—even use it to locate a misplaced handset. For details, see **pages 12 & 13**.

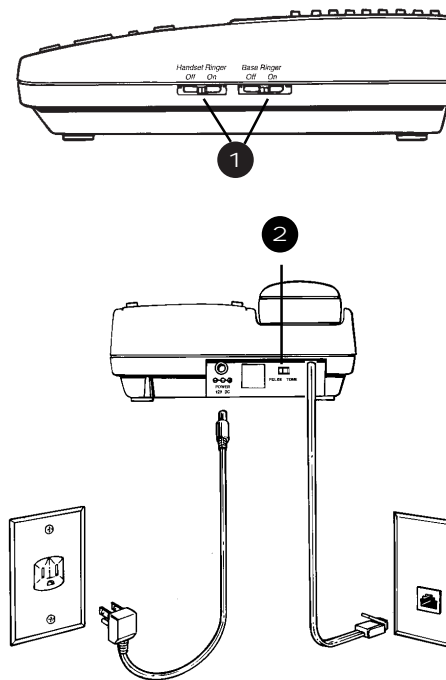
This system has **MEMORY DIALING**. You can program 32 of your most frequently called phone

numbers into the digital memory system and retrieve them just by pressing a button or two. For additional information, **see pages 10 & 11**.

You can select from any one of the **10 CHANNELS AVAILABLE** any time you wish by pressing a button. If the channel you're using gets too much noise or static, pick a cleaner one, without disconnecting your call. **See page 14** for more details.

Your handset is **HEARING AID COMPATIBLE (HAC)** which means that it's specially designed to activate and enhance the sound quality of your hearing aid system. For more details on how this can work for you, **see page 16**.

**Cobra**  
CP-720



## SOME THINGS YOU NEED TO KNOW BEFORE YOU GET STARTED

Now that your new Cobra Intenna is out of the box and ready to use, here are some things you'll need to be aware of before getting started.

### Location

Be sure the location you've chosen is near both an electrical outlet and a telephone jack—both are required to connect your new Cobra Intenna. Maximum range is obtained by locating the base as high as possible in your home.

### Charging

After connecting, and before using the handset of your new system, it will need to rest in the base overnight (at least 12 hours) in order to charge.

### 1 Ringer

Make sure the RINGER switches (one for handset and one for base), located on the side of the base, are set to ON.

### 2 Pulse/Tone

Set the PULSE/TONE switch, located on the rear of the base, to the operation that is correct for your installation—see page 15 for additional information.

### Keep This Guide

Put this guide in a handy place. You may want to refer to it for information when using or programming different features of your Cobra Intenna Cordless Telephone.

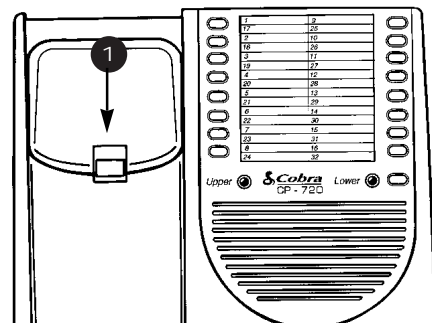
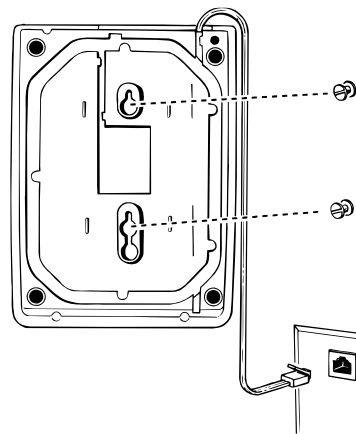
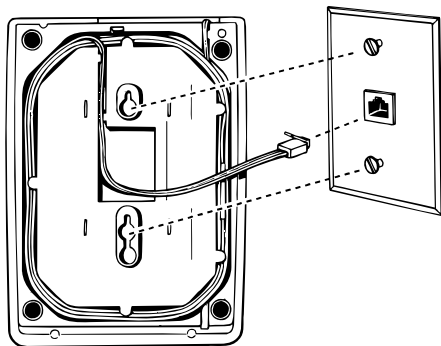
## ALL YOU HAVE TO DO TO IS PLUG IT IN

Plug the adapter cord into the power jack on the rear of the base, then plug the adapter into any standard 110V outlet.

Set the handset on the base and let it charge overnight. Make sure the CHARGE indicator on the base lights. Connect the phone cord and in 12 hours you're ready to make and receive calls.

NEED HELP?

1-773-889-3087



**Cobra**  
CP-720

## WALL MOUNTING

### On A Plate

Your Cobra Intenna is designed to be used with AT&T, GTE or any other wall-mounting plates that may be purchased from most local electronics or home repair stores.

1. Press the telephone cord into the slots under the base and wrap it around the cord storage area as shown.
2. Plug the phone connector into the telephone wall jack.
3. Plug the power adapter into the telephone base and a nearby AC power outlet.
4. To hang the phone base, simply align the holes on the bottom of the base with the studs on the wall plate and slide the base down until it locks into place.
5. Pull cradle hook to correct position to hold handset.

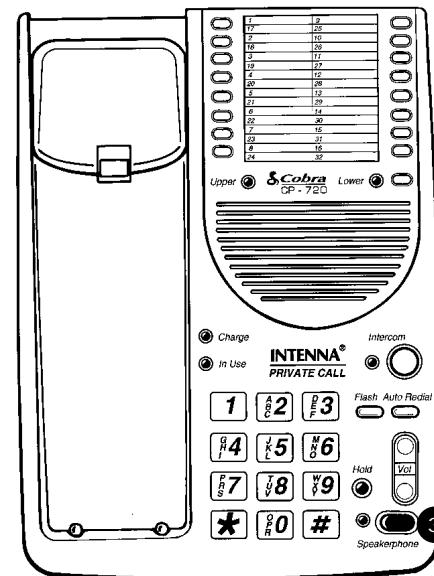
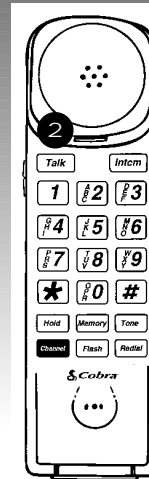
**1**  
CRADLE  
HOOK

### Directly On The Wall

To install the base directly on any wall, you'll need two screws and wall anchors (not included).

1. Drill two holes aligned vertically, one 3/4" higher than the other, and insert the wall anchors.
2. Drive the screws into the anchors until the head of each screw sticks out about 1/8" from the wall.
3. Plug the phone connector into the telephone wall jack.
4. Plug the power adapter into the telephone base and a nearby AC power outlet.
5. To hang the phone base, simply align the holes on the bottom of the base with the screws on the wall and slide the base down until it locks into place.
6. Pull cradle hook to correct position to hold handset

**1**  
CRADLE  
HOOK



## USING YOUR COBRA INTENNA CORDLESS PHONE

Now that the handset batteries have charged overnight (at least 12 hours) your Cobra Intenna Cordless Phone is ready to use.

### To Answer A Call At The Base

**2**  
TALK

When the phone rings, simply pick up the handset from the base and the TALK button will automatically light. When you hang up, it disconnects.

### To Place A Call At The Base

**2**  
TALK

Pick up the handset from the base, then press and release the TALK button. When you hear the dial tone, place your call.

### To Answer or Place A Call Away From The Base

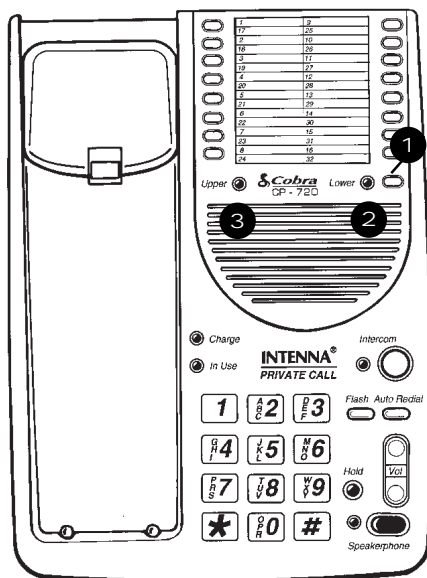
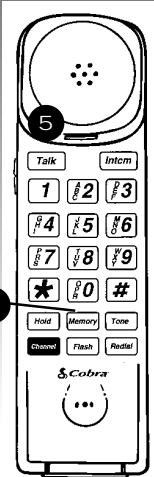
**2**  
TALK

The TALK button must be off (not lit) when the handset is away from the base and not in use. Press and release the TALK button and, when your conversation is finished, press the TALK button again to disconnect. If you replace the handset in the base, the TALK button will disconnect automatically.

### To Answer A Call At The Base Using The Speakerphone

**3**  
SPEAKER-  
PHONE

Press the SPEAKERPHONE button. See page 13 for details.



**Cobra**  
CP-720

## USING THE MEMORY DIALING FEATURE

Memory dialing lets you store and dial 32 commonly-called telephone numbers automatically, just by pressing a button. No more fumbling with the phone book, guessing at numbers or accidentally misdialing the people you call most.

### To Store A Number In Memory Using the Base Keypad:

In order to accommodate 32 numbers, your memory system is designed with 16 buttons which control both upper (1-16) and lower (17-32) banks of memory numbers. A red LED (light-emitting diode) lights to show you are using either upper or lower bank. To switch banks, press the button next to the LED marked "Lower".

### To program numbers into the memory bank from the base:

1. Make sure the LED for the bank you want ("Upper" or "Lower") is lit. If not, press the button next to the "Lower" LED until the correct LED lights.
2. Press the button for the memory location you wish to program. You will hear a beep and the LED will flash to let you know it is ready to store a number. You have 10 seconds to begin programming the number (if 10 seconds elapses without digits being entered, the LED will stop flashing, you will hear a long beep and the LED will light steadily again).
3. Enter the number you wish to store (up to 16 digits).
4. Press the same memory button again. You will hear two double beeps to confirm the number is stored. If you hear three beeps instead, you may have pressed the incorrect storage button, and you'll need to repeat the steps above.
5. Repeat the above steps for up to 32

positions. Be sure to note the names for each number you are storing, so you can create your directory card when you are finished.

### To Store A Number Longer Than 16 Digits

For telephone banking or alternate long distance service, you may need to program a number that is longer than 16 digits. To do so, you will need to divide the number between two different memory locations. Example: Store an alternate long distance access number in location 1 and personal identification number for that service in location 2.

### Creating A Directory

As you are programming the memory bank, you will want to keep track of whose number you are assigning to each location. When finished, you may indicate who is assigned to each number by filling in the directory located on the base. This provides a quick and easy reference. To create the directory, remove the protective plastic cover by sliding it gently toward the middle and lifting it out. Fill in the names on the directory next to the number they have been assigned and replace the cover.

### To Dial A Number Stored In Memory From Base Keypad Using Speakerphone

1. Be sure the proper memory bank is in use (LED is lit) for the call you wish to place. If not, press the button next to "Lower" LED until either "Upper" or "Lower" LED is lit.
2. Press SPEAKERPHONE button to get a dial tone. Speakerphone LED lights to tell you the speakerphone is in use.
3. Press the storage button next to the name of the location you wish to call. The number is dialed automatically. You may continue using speakerphone

when your call goes through for hands-free communication, or pick up the cordless handset and press TALK for mobility.

### To Dial A Number Stored In Memory From the Handset

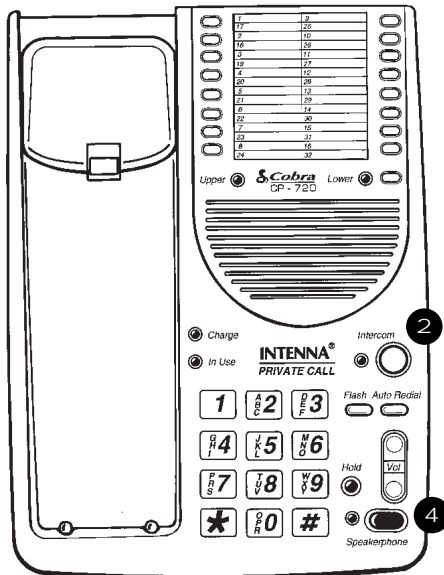
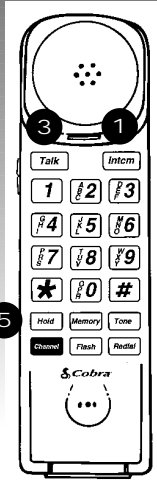
5. If you are away from the base where the written directory is stored, you will have to remember the directory storage number for the call you wish to make.
6. 1. Press TALK for dial tone.  
2. Press MEMORY button.  
3. Enter the directory storage number (01-32) for the call you wish to make (you must enter 0 before numbers 1-9 in order to access the memory number from the handset); the number will be dialed automatically.

### To Replace Or Change A Number Stored In Memory

Simply repeat the steps under "To Store A Number In Memory". The new number will automatically replace the previous number stored. Be sure the red LED indicator is set on the correct memory bank.

### Permanent Memory Circuit

Your Cobra Intenna provides you with a permanent memory circuit; even if you disconnect the AC power or experience a power outage, don't worry-- your memory bank will remain programmed



**Cobra**  
CP-720

## USING THE BUILT-IN INTERCOM/PAGING SYSTEM

Call Dad to dinner, monitor the baby while you do laundry or keep an ear out to make sure that the children aren't hurt. These options, along with many others, are at your fingertips with your Cobra Antenna because it doubles as a two-way intercom/paging system between the base and the handset—and outside calls will still come through! If you should misplace the handset, simply activate the pager and follow the signal until you locate it.

### To Use The Intercom/Pager

- 1** INTCM If you are at the handset and wish to speak with someone at the base, press and release **INTCM** which will sound three rings and light the red indicator next to the **INTERCOM** button on the base. The person may then respond just by speaking into the base. To end the conversation, simply press the **INTCM** button on the handset again.
- 2** INTERCOM If you are at the base and wish to page someone at the handset, press and release **INTERCOM**, which will sound a series of three beeps and light the **INTCM** button on the handset. The person may then respond by pressing **INTCM** and speaking into the handset.
- 3** TALK If you receive a call during an intercom conversation, you will hear a low volume ringing. If you are at the handset, press **TALK**, which will disconnect the intercom and connect you with the incoming call. If you are at the base, press **SPEAKERPHONE**.
- 4** SPEAKERPHONE

- 5** HOLD
- 1** INTCM
- 3** TALK
- 4.** If someone tries to reach you on the Intercom while you are talking on the handset, you will hear three rings. Press **HOLD**, then **INTCM** on the handset. (The base will beep and speakerphone will activate. Speakerphone LED will flash when there is a call on hold). Your caller will then be put on hold while you answer the **INTCM**. The **TALK** button will flash to remind you that you have a call on hold. Press **TALK** again to disconnect the **INTCM** and reconnect with your telephone call.

### To Use The Intercom As A Monitor

- 1** INTCM Monitor the room in which the base is located from another location using the Intercom feature.
  - Press **INTCM** button on the handset. This engages the intercom microphone in the base, allowing you to listen to the base location area.
  - Listen through the handset for as long as you like.
  - 3.** Disconnect by pressing **INTCM** again.
  - 4.** If you receive an incoming call while you are using the monitor, you will hear a ringing in the handset.
  - 5.** Press **TALK** to connect the call. The Intercom is automatically disconnected.

### To Use The Pager As A Handset Locator

- 2** INTERCOM To locate a misplaced handset around the home, press and release the **INTERCOM** button on the base.
- 1** INTCM The handset will sound a series of three beeps for 30 seconds, giving you time to locate it. Once found, press and release the **INTCM** button on the handset to eliminate the signal.
- 3.** If you have not located the handset in 30 seconds, repeat steps above.

## USING THE SPEAKERPHONE

Whether you're conducting a business meeting or want to let everyone in the family hear and talk when grandma calls to say "hello"; nothing beats the convenience of our new speakerphone.

### To Use The Speakerphone

- 4** SPEAKERPHONE After your call is connected, simply press the button on the base next to **SPEAKERPHONE** and the red LED will light, indicating that the speakerphone is on. If desired, one person may continue to speak through the handset while connected. Press the button again to disconnect.

## ADDITIONAL FEATURES OF YOUR NEW COBRA ANTENNA

Aside from the features that have already been outlined, your Cobra Intenna is easier to program and use than ever before because many of the features you want most are built right in—You don't have to do a thing!

### ■ BUILT-IN ANTENNA

There's no unsightly antenna to extend, nothing to get bent or broken or possibly even cause physical harm, because antennas are built into the handset and base. That, along with our Clear Call® PLUS Compander Noise Reduction system which minimizes background noise and interference for optimum audio performance, makes the Intenna quality comparable to a standard corded phone.

### ■ SCRAMBLED SIGNALS

Although you may not realize it, other people with cordless phones, scanners or even baby monitors may be listening in on your conversations. This is especially disturbing when discussing personal information such as credit card numbers, vacation plans, etc. over the phone. Cobra's PRIVATE CALL™ voice scrambler eliminates that worry forever!

### ■ 10-CHANNEL RECEPTION

Your Cobra Intenna automatically scans through 10 channels every time you pick up the handset, to offer you the clearest, noise-free connection available. Should interference occur during a conversation, simply press and release the CHANNEL button until you reach a clear channel.

### ■ DIGITAL SECURITY

Your Cobra Intenna is manufactured with 65,000 randomly generated security codes to guard against accidental or intentional eavesdropping on your private conversations.

### ■ ILLUMINATED KEYPAD

When the phone rings or you touch any button, the keypad automatically lights up, making it easy to read and use, even in the darkest room or late at night.

### ■ ELECTRONIC HOLD

Save time and steps in houses with more than one telephone. After you put a call on hold, your Intenna automatically releases when you, or someone else, picks up another handset on the same line. No need to come back and turn it off, because it turns itself off automatically.

### ■ LAST NUMBER REDIAL (from handset only)

Reached a busy number? Press FLASH to get a new dial tone, then press REDIAL button and the last number called will be redialed for you.

### ■ AUTOMATIC LAST NUMBER REDIAL (from speakerphone on base only)

You're getting a busy signal but need to get through as soon as possible. No problem. When the number you've dialed is busy, disconnect from the speakerphone by pressing SPEAKERPHONE button, the press AUTO REDIAL button. The number will redial and the Speakerphone LED will flash. If the number is still busy, the Auto

## CORDLESS TELEPHONE WITH 32 NUMBER MEMORY

Redial feature will try the call again in 60 seconds, up to 10 times. When the call is answered, press SPEAKERPHONE to be connected. If you decide to call another number, the Auto Redial for the previous number will be cancelled. To disconnect the Auto Redial feature, press the AUTO REDIAL button again (Speakerphone LED will go out).

### ■ HEARING AID COMPATIBLE (HAC)

Your Cobra Intenna handset is specially designed to be compatible with standard hearing aid systems.

### ■ FLASH BUTTON

Press and release the FLASH button to briefly interrupt the phone line and, if you subscribe, access some of the advanced options like "Call Waiting" or "Three Way Calling" that may be offered by your telephone company.

### ■ HANDSET AND BASE VOLUME CONTROLS

Gradually change the volume of your caller's voice from low to high or high to low by pressing the volume control up/down button located on the side of your handset. You may do the same for the speakerphone by using the up/down button located on the base. Adjust to 3 levels from the handset and 16 levels from the base.

### ■ OUT-OF-RANGE SIGNAL

When you press the TALK button and immediately hear three beeps, you know your handset is too far away from the base to work properly. Move closer to the base and try your call again.

### ■ BATTERY SAVER

The handset may be positioned away from the base without losing power for up to 7 days, depending upon how often you use it. Cobra suggests that you regularly leave the handset in the base (for example, overnight) when not in use to keep your handset battery from losing its charge. The battery will not overcharge, even though the CHARGE indicator light remains on.

### ■ PULSE/TONE SWITCH

Your Cobra Intenna may be set to either PULSE or TONE, (depending upon your phone system) by moving the switch located on the back of the base. Mixed PULSE and TONE dialing may be used (when you have a PULSE system and need to access certain long-distance or computerized banking services) by keeping the base switch to PULSE and pressing the TONE button on the handset to temporarily switch to TONE. Hanging up resets to PULSE.

### ■ RINGER SWITCH FOR HANDSET OR BASE

You're taking a nap, watching your favorite TV show or just got the baby to sleep and don't want to be disturbed. Temporarily turn off the ringer on the handset, the base or both by moving the switch on the side of the base into the off position.

### ■ 2-POSITION HANDSET

Handset may be positioned lying down or upright. However, it will not charge in the base when standing upright.



## RECHARGEABLE BATTERY INFORMATION

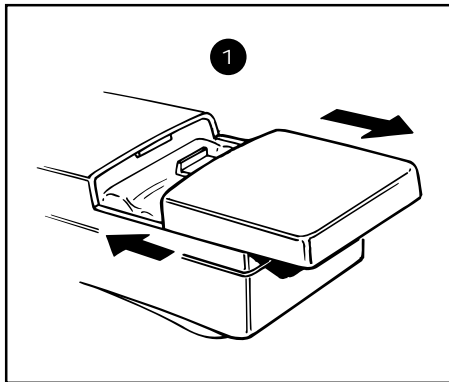
Your Cobra Intenna comes complete with a rechargeable nickel-cadmium battery already in the handset. You will need to charge the battery by plugging in the base, placing the handset in the base and letting it charge overnight (at least 12 hours).

### Battery Recharging

There are three things that can happen to indicate that your handset battery needs recharging. When one of these three things occurs, you will need to return the handset to the base and recharge for at least 12 continuous hours.

1. The TALK button on the handset flashes.
2. A 2-beep warning sounds while you are using the phone. This indicates that you have just a few minutes of power left to complete your conversation before the phone disconnects.
3. The handset beeps at 30 second intervals for five minutes when it has been away from the base too long. After five minutes, it will not flash or beep, nor will you be able to get a dial tone. Return the handset to the base for recharging.

NOTE: To prevent your batteries from running out of power, Cobra suggests that you leave the handset in the base as much as possible, when not in use. The CHARGE indicator will remain on as long as the handset is in the base, even after the batteries are fully recharged. This will not damage the batteries.



### Replacing The Battery

If you have recharged the battery for 12 hours or more and the handset does not work when the TALK button is pressed, you may need to replace the battery. To order a new battery, call Cobra toll-free at 1-773-889-3087, or remove it from the handset and take it to a local hardware store or home center store to be certain that you are getting the proper replacement battery.

### To Remove/Replace The Handset Battery

1. To remove the battery door, press and slide downward.
2. Carefully disconnect the battery pack and dispose of it properly. See BATTERY DISPOSAL below.
3. To replace, connect the new battery and replace the door. Return the handset to the base and charge the battery overnight (at least 12 hours).

### To Clean The Charging Contacts

The two metal charging contacts on both the handset and the base should be cleaned regularly with a soft, dry cloth for optimum recharging performance.

### To Dispose Of Your Battery

The rechargeable nickel-cadmium (NiCad) battery in this product must be recycled or disposed of properly in compliance with all applicable laws. Certain states or municipalities require recycling and have established collection programs. Please contact your local waste removal authority for instruction or return to Cobra for recycling. Wrap carefully and mail postage prepaid to:



COBRA ELECTRONICS  
CORPORATION

6500 W. Cortland Street  
Chicago, IL 60635  
Attn: Battery Recycling

**Do not put batteries into fire or expose to high heat. (logo) They may explode.**

"Contains Nickel-Cadmium rechargeable batteries. Must be recycled or disposed of properly."



## IF YOU THINK YOU NEED SERVICE, CALL 1-773-889-3087

You may be asked to send your unit to the Cobra factory. It will be necessary to furnish the following in order to have the product serviced and returned.

1. For Warranty Repair include some form of proof-of-purchase, such as a mechanical reproduction or carbon or a sales receipt. If you send the original receipt it cannot be returned.
2. Send the entire product. Must include telephone handset, base and all cords.
3. Enclose a description of what is happening with the unit. Include a typed or clearly printed name and address of where the unit is to be returned.
4. Pack unit securely to prevent damage in transit. If possible, use the original packing material.
5. Ship prepaid and insured by way of a traceable carrier (to avoid loss in transit), such as United Parcel Service (UPS), Roadway Parcel Service (RPS) or First Class Insured Mail to: Cobra Factory Service, Cobra Electronics Corporation, 6500 W. Cortland St., Chicago, IL 60635. Cobra is not responsible for units not received if package has not been properly insured.
6. If the unit is in warranty upon receipt of your unit it will either be repaired or exchanged depending on the model. Please allow approximately 3 to 4 weeks before contacting us for status. If the unit is out of warranty a letter will automatically be sent informing you of the repair charge or replacement charge. If you have any questions, please call 1-773-889-3087 for assistance.

For technical assistance, please call our Automated Help Desk which can assist you by answering the most frequently asked questions about Cobra products.

**(773) 889-3087**

24 hours a day, 7 days a week.

A Consumer Service Representative can be reached through this same number 8:00 am - 8:00 pm, Monday through Friday, CST.

Technical assistance is also available on-line in the Frequently Asked Question (FAQ) section at [www.cobraelec.com](http://www.cobraelec.com) or by e-mail to [productinfo@cobraelec.com](mailto:productinfo@cobraelec.com)

### REGISTERED WITH THE FCC

Please note: This cordless telephone system operates in accordance with part 15 and part 68 of FCC rules. Operation is subject to two conditions: 1) It may not interfere with radio communications, and 2) It must accept any interference received, including that which may cause undesirable operation. See the Operational Features section of this booklet for ways to reduce interference.

Your telephone company is required by the Federal Communications Commission to allow you to connect FCC registered telephones to their lines.

The FCC requires you to provide information, if requested by the local telephone company, about the connection of an FCC registered telephone to their lines. They may ask you for the FCC registration number and the ringer equivalence number (REN), both of which are on the bottom of the base. They may also ask for the Universal Service Order Code (USOC) number, which is RJ-11C.

It is illegal to use this phone on a party line or to connect it to a coin-operated telephone.

### LIMITED ONE-YEAR WARRANTY

COBRA ELECTRONICS CORPORATION warrants that its COBRA cordless telephone products, and the component parts thereof, will be free of defects in workmanship and materials for period of one (1) year from the date of first consumer purchase. This warranty may be enforced by the first consumer purchaser, provided that the product is utilized within the U.S.A.

Cobra will, without charge, repair or replace, at its option defective cordless telephone products or component parts upon delivery to the Cobra Factory Service Department, accompanied by proof of the date of first consumer purchase, such as a duplicated copy of a sales receipt.

You must pay any initial shipping charges required to ship the product for warranty service. The return charges will be at Cobra's expense if the product is repaired or replaced under warranty. For further details concerning procedures for obtaining service, see the "If You Need Service" section of this Owner's Manual.

Exclusions: This limited warranty does not apply 1) to any product damaged by accident, improper line voltage or weather related circumstances; 2) in the event of misuse or abuse of the product or as a result of unauthorized alterations or repairs; 3) to non-defective original equipment Nickel Cadmium rechargeable batteries; 4) if the serial number has been altered, defaced or removed; or 5) if the owner of the product resides outside the U.S.A.

All implied warranties, including warranties of merchantability and fitness for a particular purpose, are limited in duration to the length of this warranty. Cobra shall not be liable for any incidental, consequential or other damages, including, without limitation, damages resulting from loss of use or cost of installation.

Some states do not allow limitations on how long an implied warranty lasts and/or do not allow the exclusion or limitation of incidental or consequential damages, so the above limitations may not apply to you.

This limited warranty gives you specific legal rights, and you may also have other rights which vary from state to state.



COBRA ELECTRONICS  
CORPORATION

6500 W. Cortland Street  
Chicago, IL 60635

  
CP-720

NEED HELP?

1-773-889-3087

# COBRA ANTENNA CORDLESS TELEPHONE TROUBLESHOOTING CHECKLIST

If your system does not operate properly, please take a moment to run through this checklist and refer to the appropriate sections of this guide.

If the problem persists,  
don't hesitate to call :

**1-773-  
889-3087**

24 hours a day,  
7 days of the week.  
We're here to help.

  
CP-720

- ✓ **The phone is dead; there are no indicator lights on.**

Are the power cord and telephone cord properly connected? If so, handset battery power has run out. Return to base and charge for 12 or more hours.

- ✓ **The handset beeps during conversation or away from the base.**

The battery needs to recharge. Return to the base for overnight charging.

- ✓ **The TALK button continues flashing on the handset.**

The battery needs to recharge. Return to the base for overnight charging.

- ✓ **Poor sound quality; too much interference.**

Don't cover the top section of the handset with your hand or rest it on your shoulder. This blocks the internal Antenna. Try switching to a different channel, as well.

- ✓ **The handset disconnects, loses performance and/or beeps when in use away from the base.**

You may be out of range or the battery needs recharging. Move closer to the base and/or recharge the battery overnight.

- ✓ **Handset doesn't work after power outage or after disconnecting and reconnecting it.**

Return the handset to the base for about 30 seconds to automatically reset the security code.

- ✓ **Power doesn't seem to be on.**

Make sure power adapter is properly connected to a working outlet and the jack on the back of the answering system.

## NOTES


FOR YOUR REFERENCE, KEEP A RECORD OF THE SERIAL NUMBER PRINTED ON THE MODEL LABEL ON THE BASE

SERIAL NO. \_\_\_\_\_

**NOTES**

FOLD OVER BOTTOM EDGE AND THEN TAPE SIDES

**Cobra CP-720 Intenna Cordless Phone Accessories**

Description	Part No.	Cost Ea. X Qty. = Amount
<b>NICKEL-CADMIUM BATTERY PACK ASSEMBLY</b> For use with model CP-720	213-013-N-001	\$25.00
 <b>AC POWER ADAPTER</b> For use with model CP-720		

(Prices subject to change without notice.)

- ★★ Illinois residents add 7%
- ★★ Cook Co. residents add .75% (7.75% total)
- ★★ Chicago residents add 1% (8.75% total)
- ★★ Indiana residents add 5%
- ★★ Michigan residents add 4 %
- ★★ Minnesota residents add 6%
- ★★ Ohio residents add 6%
- ★★ Wisconsin residents add 5%

Amount \_\_\_\_\_  
 (Tax if applicable) \_\_\_\_\_  
 Shipping/handling **\$3.75** \_\_\_\_\_  
 Total \_\_\_\_\_

FOLD HERE FIRST

Make check or money order (no stamps) payable to:  
 Cobra Accessories Dept.  
 6500 W. Cortland St., Chicago, IL 60707  
 Call 1-773-889-3087 or FAX 1-773-622-2269 (for credit card orders)

Please print clearly:

Name \_\_\_\_\_  
 Address (Not P.O. Box) \_\_\_\_\_  
 City \_\_\_\_\_ State \_\_\_\_\_ Zip \_\_\_\_\_  
 Credit Card No. \_\_\_\_\_ Exp. Date \_\_\_\_\_  
 Customer Signature \_\_\_\_\_  
 Circle One:    Visa                      MasterCard                      Discover

Allow 4 to 6 weeks for delivery. Offer valid in Continental U.S. only.

FOLD HERE

CUT ALONG DOTTED LINE

FOLD HERE

## Free Manuals Download Website

<http://myh66.com>

<http://usermanuals.us>

<http://www.somanuals.com>

<http://www.4manuals.cc>

<http://www.manual-lib.com>

<http://www.404manual.com>

<http://www.luxmanual.com>

<http://aubethermostatmanual.com>

Golf course search by state

<http://golfingnear.com>

Email search by domain

<http://emailbydomain.com>

Auto manuals search

<http://auto.somanuals.com>

TV manuals search

<http://tv.somanuals.com>