

Troubleshooting

If the printer locks up or prints labels incorrectly, cycle the power to recalibrate label position. Once the power has been turned off, queued print jobs must be sent to the printer again.

Label Jam

If a label jams in the peeler, disconnect power, open the peeler and remove the jammed label. Make certain the peeler mechanism is clean and free of debris before reloading media.

Caution! *Do not attempt any further troubleshooting without first contacting Cognitive Technical Support. Any tampering with the printer may cause permanent damage and void the printer's warranty.*

Del Sol Peeler Specifications

2" printer with a peeler, media limitations:

Minimum media width: 0.75"
Maximum media width: 2.5"

4" printer with a peeler, media limitations:

Minimum media width: 1.00"
Maximum media width: 4.25"

To identify label parameters, use the HALT command defined in the Cognitive Programmer's Guide. If you are using a Windows print driver, use the Stop After Label command or equivalent. For additional programming information, see the Cognitive Programmer's Guide or your print driver manual.

Contact Cognitive for all of your supply needs, including media and cleaning pens.



Cognitive

www.cognitive.com

TEL 303-273-1400 TOLL FREE 800-525-2785 FAX 303-273-1414

691 Corporate Circle Golden, CO 80401

100-204-01 Rev. B
Download from www.Somanuals.com. All Manuals Search And Download.

Cognitive

Applicable Models: DD2424, DT2424, DD42X4, DT42X4

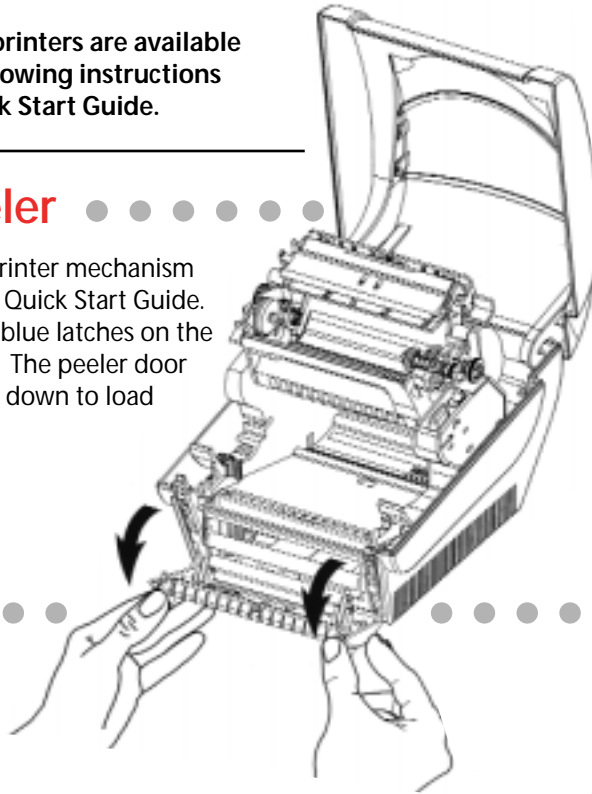
Cognitive's Del Sol desktop printers are available with a peeler option. The following instructions supplement the Del Sol Quick Start Guide.

Important: Please read these instructions carefully as there are operation differences between a standard Del Sol printer and a peeler equipped model

Open Peeler

1

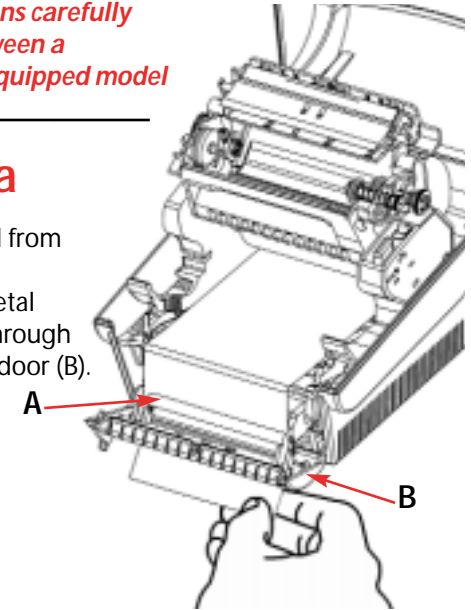
Open the Del Sol printer mechanism as explained in the Quick Start Guide. Press down on the blue latches on the front of the printer. The peeler door opens forward and down to load the media.



Load Media

2

Remove the first label from the backing. Slide the backing under the metal pinch roller (A) and through the slot in the peeler door (B).

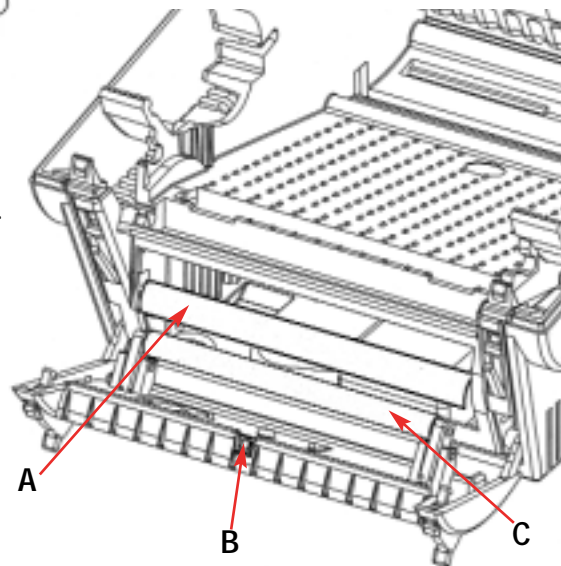
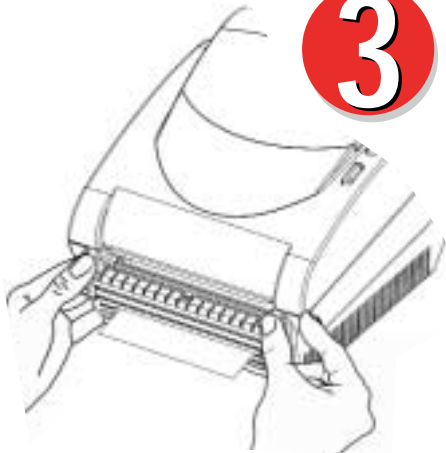


Close Peeler

3

Press the top of the blue latches to secure the peeler door in place. Close the printer as explained in the Quick Start Guide.

Note: You will hear a click when the peeler is properly latched.



Peeler Maintenance

To clean the printer follow the maintenance instructions in the Del Sol Quick Start Guide. Clean the lower drive roller (A), label taken sensor (B) and pinch roller (C), with a soft, lint free cloth saturated with 99% isopropyl alcohol. Remove adhesive residue on the lower metal pinch roller (C) every 7,000 to 10,000 inches.

Tip: Press FEED to rotate the platen one-quarter turn, and clean all sides of the platen.

Caution! Incorrectly cleaning the printer will cause permanent damage and void the printer's warranty. Cognitive recommends using a certified cleaning pen for all your printer's cleaning requirements, P/N 60-14-00-0002.

Free Manuals Download Website

<http://myh66.com>

<http://usermanuals.us>

<http://www.somanuals.com>

<http://www.4manuals.cc>

<http://www.manual-lib.com>

<http://www.404manual.com>

<http://www.luxmanual.com>

<http://aubethermostatmanual.com>

Golf course search by state

<http://golfingnear.com>

Email search by domain

<http://emailbydomain.com>

Auto manuals search

<http://auto.somanuals.com>

TV manuals search

<http://tv.somanuals.com>