



# Propane Lanterns

## Instructions for use

© 2004 The Coleman Company, Inc.  
www.coleman.com

5155A706

### IMPORTANT

Read this manual carefully before assembling, using or servicing these lanterns. Keep this manual for future reference. If you have questions about assembly, operation, servicing or repair of these lanterns, please call Coleman at 1-800-835-3278 or TDD: 316-832-8707. In Canada call 1-800-387-6161.



ANSI Z21.73b - CSA 11.1b (2002) Camp Light

## Contents

General Safety Information  
To Set Up  
To Light  
To Turn Off  
To Store  
Things You Should Know  
Parts List  
Warranty

## General Safety Information

### FOR YOUR SAFETY

If you smell gas:

1. Do not attempt to light appliance.
2. Extinguish any open flame.
3. Disconnect from fuel supply.

### FOR YOUR SAFETY




Do not store or use gasoline or other liquids with flammable vapors in the vicinity of this or any other appliance.

## DANGER



### CARBON MONOXIDE HAZARD

- This appliance can produce carbon monoxide which has no odor.
- Using it in an enclosed space can kill you.
- Never use this appliance in an enclosed space such as a camper, tent, car or home.

This manual contains important information about the assembly, operation and maintenance of these propane lanterns. General safety information is presented in these first few pages and is also located throughout the manual. Particular attention should be paid to information accompanied by the safety alert symbol “ DANGER”, “ WARNING”, “ CAUTION”.

Keep this manual for future reference and to educate new users of this product. This manual should be read in conjunction with the labeling on the product.

Safety precautions are essential when any mechanical or propane fueled equipment is involved. These precautions are necessary when using, storing, and servicing. Using this equipment with the respect and caution demanded will reduce the possibilities of personal injury or property damage.

The following symbols shown below are used extensively throughout this manual. Always heed these precautions, as they are essential when using any mechanical or propane fueled equipment.

## General Safety Information *cont.*

### **DANGER**

DANGER indicates an imminently hazardous situation which, if not avoided, will result in death or serious injury.

### **WARNING**

WARNING indicates a potentially hazardous situation which, if not avoided, could result in death or serious injury.

### **CAUTION**

CAUTION indicates a potentially hazardous situation which, if not avoided, may result in minor or moderate personal injury, or property damage.

### **DANGER**

Failure to comply with the precautions and instructions provided with these lanterns can result in death, serious bodily injury and property loss or damage from hazards of fire, explosion, burn, asphyxiation, and/or carbon monoxide poisoning.

Only persons who can understand and follow the instructions should use or service these lanterns.

If you need assistance or information such as an instruction manual or labels, contact The Coleman Company, Inc.

## **DANGER**



### • **EXPLOSION - FIRE HAZARD**

- Never store propane near high heat, open flames, pilot lights, direct sunlight, other ignition sources or where temperatures exceed 120 degrees F (49°C).
- Propane is heavier than air and can accumulate in low places. If you smell gas, leave the area immediately.
- Never install or remove propane tank while lantern is lighted, near flame, pilot lights, other ignition sources or while lantern is hot to touch.
- During operation, this product can be a source of ignition. Never use the lantern in spaces that contain or may contain volatile or airborne combustibles, or products such as gasoline, solvents, paint thinner, dust particles or unknown chemicals. Minimum clearances from combustible materials: 12 inches from the sides and 48 inches from the top.
- Do not obstruct the flow of combustion or ventilation air.

### **WARNING**

Not for home or recreational vehicle use.

We cannot foresee every use which may be made of our products. **Check with your local fire safety authority if you have questions about use.**

Other standards govern the use of fuel gases and heat producing products for specific uses. Your local authorities can advise you about these.

- Never refill disposable cylinders.
- Use the preset regulator that came with the lantern. Do not attempt to adjust.
- Use only Coleman® accessories or parts. During lantern set-up, check all fittings for leaks using soapy water. Never use a flame.

### **DANGER**



#### • **CARBON MONOXIDE HAZARD**

- This lantern is a combustion appliance. All combustion appliances produce carbon monoxide (CO) during the combustion process. This product is designed to produce extremely minute, non-hazardous amounts of CO if used and maintained in accordance with all warnings and instructions. Do not block air flow into or out of the lantern.
- Carbon Monoxide (CO) poisoning produces flu-like symptoms, watery eyes, headaches, dizziness, fatigue and possibly death. You can't see it and you can't smell it. It's an invisible killer. If these symptoms are present during operation of this product **get fresh air immediately!**
- **For outdoor use only.**
- **Never use inside house, camper, tent, vehicle or other unventilated or enclosed areas. This lantern consumes air (oxygen). Do not use in unventilated or enclosed areas to avoid endangering your life.**

### **WARNING**

- This product is fueled by propane gas. Propane gas is invisible, odorless, and flammable. An odorant is normally added to help detect leaks and can be described as a "rotten egg" smell. The odorant can fade over time so leaking gas is not always detectable by smell alone.
- Propane gas is heavier than air and leaking propane will sink to the lowest level possible. It can ignite by ignition sources including matches, lighters, sparks or open flames of any kind many feet away from the original leak. Use only propane gas set up for vapor withdrawal.
- Propane gas should be stored or used in compliance with local ordinances and codes or with ANSI/NFPA 58. Turn off propane when not in use.

### **CALIFORNIA PROPOSITION 65:**

**WARNING:** This fuel, and byproducts of combustion of this fuel, contain chemicals known to the state of California to cause cancer, birth defects, or other reproductive harm.

### **WARNING**



#### • **BURN HAZARD**

- Never leave lantern unattended when hot or in use.
- Keep out of reach of children.

### **CAUTION**

#### • **SERVICE SAFETY**

- Use only propane set up for vapor withdrawal.
- Keep all connections and fittings clean. Inspect propane cylinder and lantern propane connections for damage before attaching.
- During set up, **CHECK FOR LEAKS** in one or more ways: Apply soapy water to connections. **Look** for bubbles. **Listen** for hiss of escaping gas. **Feel** for extreme cold. **Smell** for rotten egg odor. Never use a flame. **Do not use if leaking.**
- Use as a lighting appliance only. Never alter in any way or use with any device or part not expressly approved by Coleman.
- Never use as a space heater.
- Always use in upright position. Protect cylinder from excess heat.

## To Set Up

### Technical Characteristics

Input: 2,800 BTU/HR

Category: Pressure regulated propane

Fuel: 16.4 oz. disposable propane cylinder

Regulator: 5155

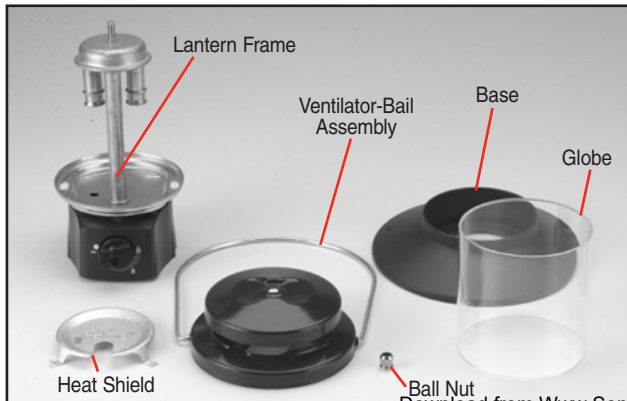
**! DANGER**



#### • CARBON MONOXIDE HAZARD

- For outdoor use only.
- Never use inside house, camper, tent, vehicle or other unventilated or enclosed areas. This lantern consumes air (oxygen). Do not use in unventilated or enclosed areas to avoid endangering your life.

- Remove lantern parts from package.



- Install heat shield in position as shown.
- Always use genuine Coleman mantles.
- Tie mantles around grooves in burner.
- Distribute folds on mantle evenly. Cut off surplus string 1/4" (0.6cm) from knot.



## To Set Up *continued*

■ Light bottom of mantle evenly. Burn until nothing but white ash remains. Once the mantle has been burned, it is very fragile. Be careful not to touch it with finger or match.



■ Complete assembly.



## To Light

### ⚠ WARNING

If you smell gas:

1. Do not attempt to light appliance.
2. Extinguish any open flame.
3. Disconnect from fuel supply.
4. Call 1-800-835-3278.

### ⚠ WARNING

- Replace any mantle with a hole in it. A hole can cause lantern to overheat and create a hazard. Never operate lantern without heat shield.

■ **Note:** Use Coleman 16.4 oz. disposable propane cylinders. The LP-gas cylinder(s) used with lanterns must be constructed and marked in accordance with the specifications for LP-gas cylinders of the U.S. Department of Transportation or *Transport Canada, CAN/CSA B339.*

- Take lantern outdoors away from ignition sources.
- Turn fuel valve off.

- Remove protective cap from top of propane cylinder. Save cap for use in storing.



## ⚠ DANGER



### • EXPLOSION - FIRE HAZARD

- Propane is heavier than air and can accumulate in low places. If you smell gas, leave the area immediately.
- Always attach or detach propane source outdoors; never while lantern is lighted, near flame, pilot lights, other ignition sources or while lantern is hot to touch.
- Always light & use lantern outdoors.
- This lantern must not be exposed to flammable vapors or liquids during lighting.
- This lantern is red hot during use and can ignite flammables too close to the mantles. Keep flammables at least 12 inches from the sides and 48 inches from the top of the lantern. Keep gasoline and other flammable liquids and vapors well away from lantern.

- Screw propane cylinder into lantern. Take care not to cross-thread. Hand tighten only.



- Set lantern into base.



## ⚠ CAUTION

### • SERVICE SAFETY

- Keep all connections and fittings clean. Inspect propane cylinder and lantern propane connections for damage before attaching.
- During set up, check all connections and fittings for leaks using soapy water. Bubbles indicate a leak. Never use a flame.

- Push lighted match through lighting hole, hold near mantle and open fuel valve fully.



## ⚠ WARNING



### • BURN HAZARD

- Never leave lantern unattended when hot or in use.
- Keep out of reach of children.

## To Light *continued*

- Brightness may be adjusted with fuel valve.



## To Turn Off

- Turn fuel valve off.



## To Store

- Make sure lantern is cool.
- Move lantern away from flame (including pilot lights) and other ignition sources.
- Remove propane cylinder from lantern.
- Replace protective cap on propane cylinder.



## **!** DANGER



### • EXPLOSION - FIRE HAZARD

- Never store propane near high heat, open flames, pilot lights, direct sunlight, other ignition sources or where temperatures exceed 120 degrees F (49°C).
- The cylinder must be disconnected when the lantern is in storage.



## Things You Should Know

1. It is unsafe and illegal in some places to store or use liquid propane cylinders of greater than 1.14 kg (2.5 lbs.) water capacity (approximately 465g (1 lb.) propane) in occupied enclosures.
2. Always have a spare set of Coleman® Mantles. Once burned, a mantle is fragile and can be damaged if touched or dropped.
3. Wipe clean with soft cloth and mild dish detergent. Do not use abrasives.
4. The usual storage areas for camping and picnic equipment are the basement, attic, or garage. To avoid the accumulation of dust, cobwebs, etc., that is common in these storage areas, place your lantern in a plastic bag and seal it with a rubber band.
5. During operation, carry the lantern using the bail.
6. If your lantern burns with a yellow smokey flame, check the burner and air tube for spider webs.
7. For repair service call one of the numbers listed on the front cover for location of your nearest Coleman Service Center. If lantern must be mailed to Service Center, attach to the product a tag that includes your name, address, daytime telephone number and a description of problem. Remove globe and ventilator to prevent breakage. Do NOT send propane cylinder. Carefully package the product and send either by UPS or Parcel Post **insured** with shipping and **insurance** prepaid to:

### For products purchased in the United States:

The Coleman Company, Inc.  
3600 North Hydraulic  
Wichita, KS 67219

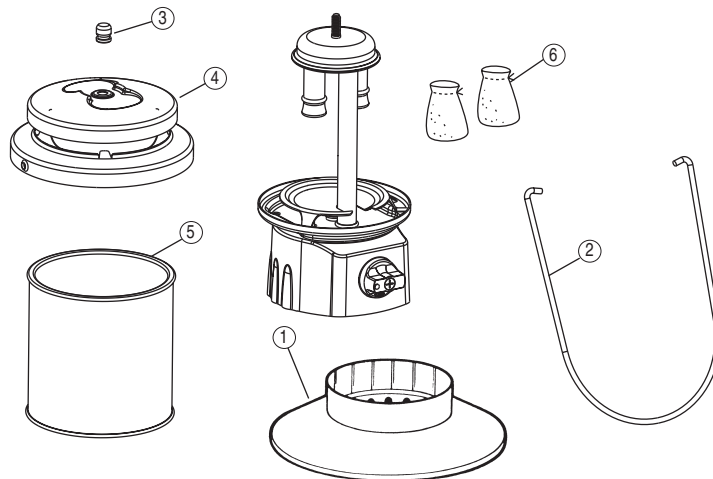
### For products purchased in Canada:

Sunbeam Corporation (Canada) Limited  
5975 Falbourne Street  
Mississauga, Ontario  
Canada L5R 3V8

8. If not completely satisfied with the performance of this product, please call one of the numbers listed on the cover of this manual.

## Parts List

No.	5155 Matchlight	Description
1	5159-2001	Base (Dark Green)
2	5155-1381	Bail
3	220-4411	Ventilator Nut
4	5155-4851	Ventilator
5	R214A046C	Globe
6	#21	Mantle



## Limited Lifetime Warranty

The Coleman Company, Inc. ("Coleman") warrants that for the period that you own this product, it will be free from defects in material and workmanship. Coleman, at its option, will repair or replace this product or any component of the product found to be defective during the warranty period. Replacement will be made with a new or remanufactured product or component. If the product is no longer available, replacement may be made with a similar product of equal or greater value. This is your exclusive warranty.

This warranty is valid for the original retail purchaser from the date of initial retail purchase and is not transferable. Keep the original sales receipt. Proof of purchase is required to obtain warranty performance. Coleman dealers, service centers, or retail stores selling Coleman products do not have the right to alter, modify or in any way change the terms and conditions of this warranty.

This warranty does not cover normal wear of parts or damage resulting from any of the following: negligent use or misuse of the product, use on improper voltage or current, use contrary to the operating instructions, disassembly, repair or alteration by anyone other than Coleman or an authorized service center. Further, the warranty does not cover Acts of God, such as fire, flood, hurricanes and tornadoes.

**COLEMAN SHALL NOT BE LIABLE FOR ANY INCIDENTAL OR CONSEQUENTIAL DAMAGES CAUSED BY THE BREACH OF ANY EXPRESS OR IMPLIED WARRANTY OR CONDITIONS. EXCEPT TO THE EXTENT PROHIBITED BY APPLICABLE LAW, ANY IMPLIED WARRANTY OF MERCHANTABILITY OR FITNESS FOR A PARTICULAR PURPOSE IS LIMITED IN DURATION TO THE DURATION OF THE ABOVE WARRANTY OR CONDITIONS. SOME STATES, PROVINCES OR JURISDICTIONS DO NOT ALLOW THE EXCLUSION OR LIMITATION OF INCIDENTAL OR CONSEQUENTIAL DAMAGES OR LIMITATIONS ON HOW LONG AN IMPLIED WARRANTY LASTS, SO THE ABOVE LIMITATIONS OR EXCLUSION MAY NOT APPLY TO YOU. THIS WARRANTY GIVES YOU SPECIFIC LEGAL RIGHTS, AND YOU MAY ALSO HAVE OTHER RIGHTS THAT VARY FROM STATE TO STATE OR PROVINCE TO PROVINCE.**

### How to Obtain Warranty Service

Take the product to an authorized Coleman service center. You can find the nearest authorized Coleman service center by calling 1-800-835-3278 or TDD 316-832-8707 in the United States or 1 800 387-6161 in Canada. If a service center is not conveniently located, attach to the product a tag that includes your name, address, daytime telephone number and description of the problem. Include a copy of the original sales receipt. Carefully package the product and send either by UPS or Parcel Post **insured** with shipping and **insurance** prepaid to:

#### For products purchased in the United States:

The Coleman Company, Inc.  
3600 North Hydraulic  
Wichita, KS 67219

#### For products purchased in Canada:

Sunbeam Corporation (Canada) Limited  
5975 Falbourne Street  
Mississauga, Ontario  
Canada L5R 3V8

Do not mail products with fuel in tanks, or with disposable propane cylinders. Remove glass globes from lanterns and wrap separately.

**DO NOT RETURN THIS PRODUCT TO THE PLACE OF PURCHASE.**

If you have any questions regarding this warranty please call 1-800-835-3278 or TDD 316-832-8707 in the United States or 1 800 387-6161 in Canada.



# Lanternes à propane

## Notice d'emploi

© 2004 The Coleman Company, Inc.  
www.coleman.com

### 5155A706

#### IMPORTANT

Lisez attentivement ce manuel avant d'assembler, d'utiliser ou de réparer ces lanternes et gardez-le pour référence ultérieure. Pour toute question en ce qui concerne l'assemblage, le fonctionnement, l'entretien ou la réparation, appelez Coleman au 1 800 835-3278 ou ATS 316-832-8707 aux États-Unis et au 1 800 387-6161 au Canada.



ANSI Z21.73b - CSA 11.1b (2002) Lanterne de camping

## Table des matières

Généralités de sécurité  
Mise en station  
Allumage  
Extinction  
Rangement  
Renseignements essentiels  
Nomenclature  
Garantie

## Généralités de sécurité

### POUR VOTRE SÉCURITÉ

Si vous sentez le gaz :

1. Ne tentez pas d'allumer l'appareil.
2. Éteignez toutes les flammes nues.
3. Débranchez de l'alimentation en gaz.

### POUR VOTRE SÉCURITÉ

Ne rangez pas et n'employez pas d'essence ou d'autres vapeurs ou liquides inflammables à proximité de cet appareil ou de tout autre appareil.

**⚠ DANGER**



### MONOXYDE DE CARBONE

- Cet appareil peut produire du monoxyde de carbone, un gaz inodore.
- L'utilisation de cet appareil dans des espaces clos peut entraîner la mort.
- Ne jamais utiliser cet appareil dans un espace clos comme un véhicule de camping, une tent, une automobile ou une maison.

Ce manuel contient des renseignements importants quant à l'assemblage, au fonctionnement et à l'entretien de ces lanternes à propane. De nombreux renseignements de sécurité sont fournis sur cette page puis un peu partout dans le reste des instructions. Faites tout particulièrement attention lorsque vous voyez les symboles suivants :

**⚠ DANGER, ⚠ AVERTISSEMENT**  
et **⚠ ATTENTION.**

Gardez ce manuel pour le consulter au besoin et pour apprendre aux nouveaux utilisateurs à employer l'appareil. Compulsez les instructions de concert avec les étiquettes apposées sur le produit.

Des précautions de sécurité sont indispensables en présence de tout appareil mécanique ou à gaz propane. Des précautions sont nécessaires pour l'utilisation, le rangement et l'entretien. Utiliser cet appareil avec tous les soins qui lui sont dus réduira les risques de blessures corporelles ou de dommages matériels.

Les symboles ci-après reviennent régulièrement dans les instructions. Tenez compte de ces précautions, elles sont impératives lors de l'utilisation de tout appareil mécanique ou à gaz propane.

## Généralités de sécurité (suite)

### DANGER

«DANGER» indique une situation dangereuse qui, si elle n'est pas contournée, entraînera la mort ou des blessures graves.

### AVERTISSEMENT

«AVERTISSEMENT» signale une situation potentiellement dangereuse qui, si elle n'est pas évitée, peut entraîner la mort ou des blessures graves.

### ATTENTION

«ATTENTION» dénote un danger potentiel qui, s'il n'est pas contourné, risque d'entraîner des blessures corporelles allant de peu graves à moyennes ou bien des dommages matériels.

### DANGER

L'inobservation des précautions et instructions fournies avec ces lanternes peut entraîner mort, blessures corporelles graves et dommages ou pertes matériels par suite des risques d'incendie, d'explosion, de brûlures, d'asphyxie ou d'intoxication oxycarbonée.

Ces lanternes doivent uniquement être utilisées ou dépannées par des personnes capables d'assimiler et d'observer les instructions fournies. Si vous avez besoin d'aide ou de renseignements – notice d'emploi ou étiquettes, par exemple – contactez The Coleman Company, Inc.

## DANGER



### • RISQUE D'EXPLOSION ET D'INCENDIE

- Ne rangez jamais le propane près de la chaleur, de flammes, de veilleuses, de sources d'inflammation, aux rayons directs du soleil, ou dans un lieu où la température puisse dépasser 49 °C (120 °F).
- Plus lourd que l'air, le propane s'accumule au ras du sol. Si vous sentez le gaz, éloignez-vous immédiatement des lieux.
- Ne fixez ou détachez jamais la bouteille de gaz quand la lanterne est allumée, près de flammes, veilleuses, etc., ou est chaude au toucher.
- La lanterne peut être une source d'inflammation quand elle fonctionne. Ne l'utilisez pas dans les lieux qui contiennent ou peuvent contenir des substances combustibles volatiles ou en suspension dans l'air, ainsi que des produits tels essence, solvants, dissolvants, particules de poussière ou produits chimiques indéterminés. Gardez ces produits à au moins 0,3 m (1 pi) des côtés et 1,2 m (4 pi) du dessus de la lanterne.
- N'obstruez pas le flux d'air de combustion ou de ventilation.

### AVERTISSEMENT

Ne convient pas à l'utilisation dans maisons ou véhicules de plaisance. Il est impossible de prévoir toutes les utilisations auxquelles puissent être soumis nos produits. **Consultez les autorités de sécurité incendie pour toute question quant à l'utilisation.** D'autres normes régissent l'utilisation des produits qui génèrent des gaz combustibles ou de la chaleur à des fins spécifiques. Les autorités municipales compétentes vous renseigneront.

- N'essayez jamais de recharger les bouteilles de gaz jetables.
- Servez-vous du régulateur pré-réglé fourni. Ne tentez pas de l'ajuster.
- Ne vous servez que d'accessoires ou pièces Coleman® pour le montage.

À la mise en station de la lanterne, recherchez les fuites aux raccords à l'eau savonneuse, jamais avec une flamme.

### ⚠ DANGER



#### • RISQUE D'INTOXICATION OXYCARBONÉE

- Cette lanterne est un appareil à combustion, un genre d'appareils qui génère de l'oxyde de carbone (CO). Cet appareil est conçu pour produire des quantités infimes et inoffensives de CO s'il est employé et entretenu conformément aux avertissements et instructions. Assurez-vous que le flux d'air ne soit jamais entravé vers la lanterne ou à partir de la lanterne.
- Les symptômes de l'intoxication oxycarbonée rappellent la grippe: yeux larmoyants, maux de tête, vertiges, fatigue, voire mort. Incolore et inodore, le CO tue. En présence de ces symptômes lors de l'utilisation de l'appareil, **allez immédiatement au grand air!**
- **Cet appareil est uniquement destiné à l'air libre.**
- **N'utilisez jamais la lanterne dans caravane, tente, véhicule ou autre lieu clos ou sans ventilation – elle consomme l'oxygène de l'air. Pour éviter de mettre votre vie en danger, ne l'utilisez jamais dans ces lieux.**

### ⚠ AVERTISSEMENT

- Cet appareil brûle le propane, un gaz incolore, inodore et inflammable auquel est généralement ajouté un odorisant pour donner une odeur « d'œuf pourri » et faciliter la détection des fuites. Vu que l'odorisant peut s'estomper avec le temps, il serait insensé de se fier uniquement à son odorat pour détecter les fuites.
- Plus lourd que l'air, le gaz propane qui fuit s'accumule à ras du sol. Il peut être enflammé par des sources d'inflammation – allumettes, briquets, étincelles ou flammes nues, par exemple – éloignées de la fuite. Ne vous servez que de gaz propane destiné à être soutiré pour utilisation à l'état gazeux.
- Le propane doit être stocké et utilisé selon les codes et règlements municipaux ou, faute de code, à la norme ANSI/NFPA 58. Fermez le gaz entre utilisations.

### PROPOSITION 65 DE LA CALIFORNIE :

AVIS: Le propane et les sous-produits de la combustion du propane contiennent des produits chimiques reconnus par l'État de la Californie comme pouvant causer le cancer, des malformations congénitales ou présenter d'autres dangers pour la reproduction.

### ⚠ AVERTISSEMENT



#### • RISQUE DE BRÛLURES

- Ne laissez jamais la lanterne sans surveillance quand elle fonctionne ou est chaude.
- Gardez la lanterne hors de la portée des enfants.

### ⚠ ATTENTION

#### • ENTRETIEN DE SÉCURITÉ

- Ne vous servez que de propane destiné à être soutiré pour utilisation à l'état gazeux.
- Raccords et garnitures doivent être immaculés. Examinez les raccords de la bouteille de propane et de la lanterne pour déceler tout dommage avant le raccordement.
- Lors de l'assemblage, **RECHERCHEZ LES FUITES** d'une ou de plusieurs façons: Appliquez une solution savonneuse aux raccords. **Regardez** s'il se forme des bulles. **Écoutez** s'il chuinte du gaz. **Touchez** pour sentir le froid extrême. **Utilisez votre nez** pour détecter toute odeur d'œuf pourri. Ne recherchez jamais les fuites avec une flamme. **N'employez pas l'appareil en présence d'une fuite.**
- L'appareil ne convient qu'à l'éclairage. Ne le modifiez et ne lui ajoutez pas de dispositifs ou pièces non expressément conseillés par Coleman.
- Ne vous en servez jamais pour le chauffage d'appoint.
- Posez-le toujours d'aplomb. Protégez la bouteille de la grande chaleur.

### Caractéristiques techniques

Puissance d'entrée: 2,800 BTU/HR

Catégorie: Propane à pression regularisée

Alimentation: Bouteilles de propane jetables de 465 g/16,4 oz.

Régulateur: 5155

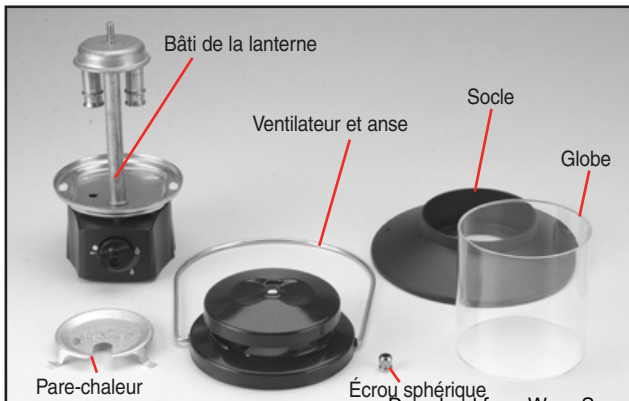
**⚠ DANGER**



#### • RISQUE D'INTOXICATION OXYCARBONÉE

- Cette lanterne est uniquement destinée à l'air libre.
- Ne l'utilisez jamais dans maison, caravane, tente, véhicule ou autre lieu clos et sans ventilation. Cette lanterne consomme l'oxygène de l'air. Pour ne pas mettre votre vie en danger, ne l'employez pas dans les lieux clos et sans ventilation.

- Sortez toutes les pièces de la lanterne de l'emballage.



- Placez le pare-chaleur tel qu'illustré.
- Servez-vous toujours de manchons authentiques Coleman.
- Attachez les manchons autour de la rainure des brûleurs.
- Répartissez uniformément les plis des manchons. Coupez l'excédent de cordon à 0,6 cm (1/4 po) du nœud



## Mise en station (suite)

■ Enflammez uniformément le bas des manchons et laissez brûler jusqu'à ce qu'il ne reste que de la cendre blanche. Les manchons sont alors très fragiles; ne les touchez ni du doigt ni du bout d'une allumette!



■ Terminez l'assemblage de la lanterne.



## Allumage

### ⚠ AVERTISSEMENT

Si vous sentez le gaz:

1. Ne tentez pas d'allumer l'appareil.
2. Éteignez toutes flammes nues.
3. Débranchez de l'alimentation en gaz.
4. Composez le 1 800 387-6161.

### ⚠ AVERTISSEMENT

- Remplacez tout manchon troué. Un trou peut faire surchauffer la lanterne et entraîner un risque d'incendie. Ne faites jamais fonctionner la lanterne sans que son pare-chaaleur ne soit convenablement en place.

■ **Remarque:** Utilisez les bouteilles de propane jetables Coleman de 465 g/16,4 oz. Les bouteilles de GPL employées avec ces lanternes doivent être fabriquées et porter les marquages lisibles, conformément aux exigences du Ministère des Transports des U.S.A. ou à la norme *CAN/CSA B339 de Transport Canada*.

- Portez la lanterne à l'air libre, loin des sources d'inflammation.
- Réglez la commande à l'arrêt.

■ Enlevez le bouchon de la bouteille de propane; gardez-le pour le remettre en fin d'emploi.





### **⚠ DANGER**



#### • RISQUE D'EXPLOSION ET D'INCENDIE

- Plus lourd que l'air, le propane s'accumule à ras du sol. Si vous sentez le gaz, éloignez-vous immédiatement des lieux.
- Attachez et détachez toujours la bouteille de gaz au grand air, jamais quand la lanterne est chaude au toucher, allumée, près de flammes, de veilleuses ou bien à proximité d'autres sources d'inflammation.
- Allumez et employez toujours la lanterne à l'air libre.
- Ne l'exposez pas à des vapeurs ou liquides inflammables pendant l'allumage.
- La lanterne chauffe au rouge et peut enflammer les articles combustibles qui se trouvent trop près des manchons. Éloignez les articles inflammables d'au moins 30 cm (12 po) des côtés et 120 cm (48 po) du dessus. Gardez l'essence et les autres vapeurs et liquides inflammables à une bonne distance de la lanterne.

- Fixez la bouteille à la lanterne ; serrez à la main, sans fausser le filetage.



- Placez la lanterne dans son socle.



### **⚠ ATTENTION**

#### • ENTRETIEN DE SÉCURITÉ

- Raccords et garnitures doivent être immaculés. Examinez la bouteille de propane ainsi que la lanterne pour déceler tout dommage avant les raccorder.
- Lors de l'assemblage, vérifiez tous les raccordements à l'eau savonneuse – jamais avec une flamme. Des bulles signalent une fuite.

- Introduisez une allumette enflammée par le trou d'allumage, approchez-la des manchons et ouvrez le bouton de commande en grand.



### **⚠ AVERTISSEMENT**



#### • RISQUE DE BRÛLURES

- Ne laissez pas la lanterne sans surveillance quand elle fonctionne ou est chaude.
- Gardez la lanterne hors de la portée des enfants

## Allumage (suite)

- L'intensité lumineuse s'ajuste à l'aide de la commande.



## Extinction

- Réglez la commande à l'arrêt.



## Rangement

- Attendez que la lanterne ait refroidi.
- Éloignez la lanterne des flammes (y compris des veilleuses) et des sources d'inflammation.
- Séparez la bouteille de propane de la lanterne.
- Rebouchez la bouteille de propane.



## ⚠ DANGER



### • RISQUE D'EXPLOSION ET D'INCENDIE

- Ne rangez jamais le propane près de la chaleur, de flammes, de veilleuses, aux rayons directs du soleil, près d'une source d'inflammation ou dans un endroit où la température puisse dépasser 49 °C (120 °F).
- Les bonbonnes rechargeables doivent toujours être rangées au grand air, dans un endroit bien ventilé. Ne rangez pas une bonbonne de propane dans un lieu clos (maison, garage, ou autre). Si vous souhaitez rentrer la lanterne, détachez préalablement la bonbonne de propane pour la laisser dehors.

## Renseignements essentiels

1. Il est dangereux et illégal dans certaines régions de stocker ou d'utiliser des bouteilles de gaz de pétrole liquéfié ayant une capacité d'eau de plus de 1,14 kg (2,5 lb) [environ 465 g (1 lb) de propane] dans les lieux habités.
2. Munissez-vous toujours de manchons de rechange Coleman®. Après le flambage, les manchons sont très fragiles et peuvent facilement être endommagés s'ils sont touchés ou échappés.
3. Nettoyez-la avec un linge doux et du détergent pour vaisselle. N'employez pas de produit récurant.
4. Hors saison, si vous rangez vos articles de camping et de pique-nique au sous-sol, grenier ou garage, placez la lanterne dans un sac de plastique fermé par un caoutchouc afin qu'elle ne s'empoussière pas et ne se recouvre pas de toiles d'araignées.
5. Durant le fonctionnement, prenez la lanterne par son anse pour la transporter.
6. Si la lanterne brûle avec une flamme jaunâtre et enfumée, assurez-vous qu'il n'y ait pas de toiles d'araignées dans le brûleur et le tuyau d'air.
7. En cas de panne, composez l'un des numéros donnés sur la couverture pour obtenir l'adresse du centre de réparation Coleman le plus proche. Si vous devez y envoyer la lanterne, joignez-y vos nom, adresse, numéro de téléphone le jour et une brève description du problème. Enlevez le globe et le ventilateur pour éviter qu'ils ne se brisent. N'envoyez PAS la bouteille de propane. Emballez soigneusement la lanterne et envoyez le colis **assuré** par UPS ou par la poste, en port et **assurance** payés, à :

### Produits achetés aux États-Unis :

The Coleman Company, Inc.  
3600 North Hydraulic  
Wichita, KS 67219

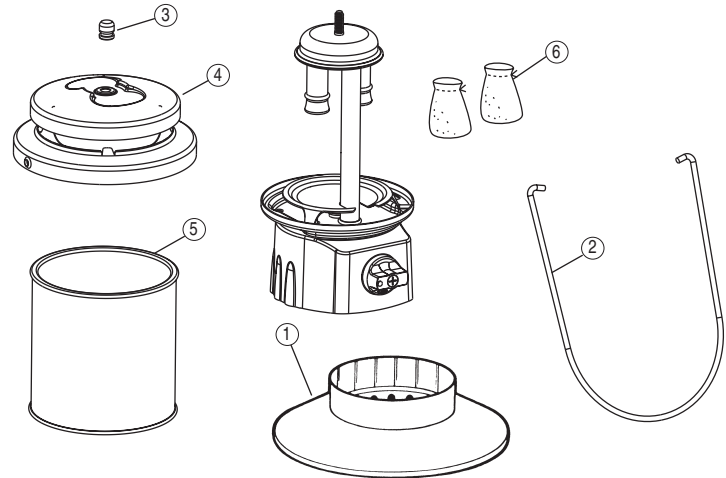
### Produits achetés au Canada :

Sunbeam Corporation (Canada) Limited  
5975 Falbourne Street  
Mississauga, Ontario  
Canada L5R 3V8

8. Si vous n'êtes pas satisfait du rendement de ce produit, vous pouvez nous en faire part en appelant l'un des numéros indiqués sur la couverture.

## Nomenclature

N°	5155 par allumette	Désignation
1	5159-2001	Pied
2	5155-1381	Anse
3	220-4411	Écrou du ventilateur
4	5155-4851	Ventilateur
5	R214A046C	Globe
6	n° 21	Manchon



## Garantie limitée à vie

The Coleman Company, Inc. (« Coleman ») garantit que tant que vous posséderez cet article, il sera exempt de vices de matériau et de fabrication. Coleman se réserve le droit de choisir entre réparer ou remplacer cet article ou toute pièce de celui-ci dont la défectuosité a été constatée au cours de la période de garantie. Le remplacement se fera au moyen d'un produit neuf ou remanufacturé ou bien d'une pièce neuve ou remanufacturée. Si l'article n'est plus disponible, il sera remplacé par un article semblable, de valeur égale ou supérieure. La présente constitue votre garantie exclusive.

Cette garantie n'est valable que pour l'acheteur au détail original à partir de la date de l'achat au détail initial et elle n'est pas transférable. Veuillez conserver le reçu d'achat original. La preuve d'achat est exigée pour tout service couvert par la garantie. Les concessionnaires Coleman, les centres de service et les détaillants qui vendent des articles Coleman n'ont pas le droit d'altérer, de modifier ou de changer d'une manière quelconque les modalités de la garantie.

Cette garantie ne couvre pas l'usure normale des pièces ni l'endommagement attribuable à la négligence, l'utilisation abusive de l'article, le branchement sur un circuit de tension ou courant inapproprié, le non-respect du mode d'emploi, le démontage, la réparation ou l'altération par quiconque, sauf Coleman ou un centre de service Coleman agréé. Cette garantie ne couvre pas non plus les cas de force majeure comme incendies, inondations, ouragans et tornades.

**COLEMAN DÉCLINE TOUTE RESPONSABILITÉ EN CAS DE DOMMAGES ACCESSOIRES OU INDIRECTS RÉSULTANT DU NON-RESPECT DE TOUTE GARANTIE OU CONDITION EXPLICITE OU IMPLICITE. SAUF DANS LA MESURE INTERDITE PAR LA LÉGISLATION PERTINENTE, TOUTE GARANTIE IMPLICITE DE QUALITÉ COMMERCIALE OU D'APPLICATION À UN USAGE PARTICULIER EST LIMITÉE À LA DURÉE DE LA GARANTIE OU CONDITION CI-DESSUS. CERTAINS ÉTATS ET CERTAINES PROVINCES OU JURIDICTIONS INTERDISENT D'EXCLURE OU DE LIMITER LES DOMMAGES ACCESSOIRES OU INDIRECTS, OU NE PERMETTENT PAS LA LIMITATION DE LA DURÉE D'APPLICATION DE LA GARANTIE IMPLICITE, DE SORTE QUE VOUS POUVEZ NE PAS ÊTRE ASSUJETTI AUX LIMITES OU EXCLUSIONS ÉNONCÉES CI-DESSUS. CETTE GARANTIE VOUS CONFÈRE DES DROITS JURIDIQUES PRÉCIS ET VOUS POUVEZ AVOIR D'AUTRES DROITS, CES DROITS VARIANT D'UN ÉTAT OU D'UNE PROVINCE À L'AUTRE.**

## Comment obtenir le service prévu par la garantie

Apportez l'article à un Centre de service agréé Coleman. Pour obtenir l'adresse du plus proche Centre de service agréé Coleman, appelez le 1 800 835-3278 ou le ATS 316-832-8707 aux États-Unis, ou bien le 1 800 387-6161 au Canada. S'il n'y a pas de centre de service facile d'accès, fixez une étiquette sur l'article précisant votre nom, votre adresse, votre numéro de téléphone le jour et la description de la défectuosité. Veuillez inclure une copie du reçu d'achat original. Emballez soigneusement l'article et envoyez le colis **assuré** par UPS ou par la poste, en port et **assurance** payés, à l'une des adresses suivantes :

### Produits achetés aux États-Unis :

The Coleman Company, Inc.  
3600 North Hydraulic  
Wichita, KS 67219

### Produits achetés au Canada :

Sunbeam Corporation (Canada) Limited  
5975 Falbourn Street  
Mississauga, Ontario  
Canada L5R 3V8

N'envoyez pas de produits dont le réservoir contienne du carburant ou bien auxquels soit fixée une bouteille jetable de propane. Retirez en outre le globe des lanternes et emballez-le soigneusement, séparément.

**NE RETOURNEZ PAS CE PRODUIT AU LIEU D'ACHAT.**

Pour toute question quant à cette garantie, composez le 1 800 835-3278 ou le ATS 316-832-8707 aux États-Unis, et le 1 800 387-6161 au Canada.



# Lámparas de Propano

## Instrucciones de uso

© 2004 The Coleman Company, Inc.  
www.coleman.com

### 5155A706

#### IMPORTANTE

Lea este manual cuidadosamente antes del ensamblaje y el uso o el servicio para las lámparas. Guarde este manual para uso de referencia en el futuro. Si usted tiene preguntas acerca del ensamblaje, funcionamiento, servicio o reparación de estas lámparas, por favor llame a Coleman al 1-800-835-3278 o TDD: 316-832-8707. En Canadá llame al 1-800-387-6161.



ANSI Z21.73b - CSA 11.1b (2002) Luz para Campamento

## Contenido

Información General de Seguridad

Para Armar

Para Encender

Para Apagar

Para Guardar

Cosas Que Debe Saber

Lista de Piezas

Garantía

## Información de Seguridad General

### PARA SU SEGURIDAD

Si usted huele gas:

1. No intente encender el aparato.
2. Extinga cualquier llama abierta.
3. Desconecte el suministrador de combustible.

### PARA SU SEGURIDAD

No almacene o use gasolina u otros líquidos que contengan vapores inflamables cerca de este o cualquier otro aparato.

## ! PELIGRO



### • RIESGO DE MONOXIDO DE CARBONO

- Este aparato puede producir monóxido de carbono el cual no tiene olor.
- Usarlo en un área cerrada puede causarle la muerte.
- Nunca use este aparato en un área cerrada como son las caravanas, tiendas de campaña, autos o en la casa.

Este manual contiene información importante acerca del ensamblaje, funcionamiento y mantenimiento de estas lámparas de propano. La información general de seguridad se presenta en estas primeras páginas y también está localizada a través del manual. Debe prestar atención particular a la información acompañada por el símbolo de alerta de seguridad “! PELIGRO”, “! ADVERTENCIA”, “! PRECAUCION”.

Guarde este manual como uso de referencia en el futuro y para educar a nuevos usuarios acerca de este producto. Este manual debe ser leído en conjunto con las etiquetas en el producto.

Las precauciones de seguridad son esenciales cuando se usa cualquier equipo mecánico o de abastecimiento de propano. Estas precauciones son necesarias cuando se usa, guarda y se le da servicio. El usar este equipo con el respeto y la precaución que se demanda reducirá las posibilidades de daños personales o daños a la propiedad.

Los siguientes símbolos mostrados abajo se usan extensivamente a través del manual. Siempre preste atención a las precauciones, ya que son esenciales cuando se usa un equipo mecánico o abastecido por propano.

## Información General de Seguridad *continuación*

### PELIGRO

PELIGRO indica una situación de riesgo inmediata la cual, si no se evita, resultará en muerte o daños serios.

### ADVERTENCIA

ADVERTENCIA indica una situación de riesgo potencial la cual, si no se evita, puede resultar en muerte o daños serios.

### CUIDADO

CUIDADO indica una situación potencialmente peligrosa la cual, si no se evita, puede resultar en herida personal moderada o menor o daño a la propiedad.

### PELIGRO

La falta de no cumplir con las precauciones e instrucciones provistas con estas lámparas puede resultar mortal, heridas graves en el cuerpo y pérdida de la propiedad o daño de peligros de incendio, explosión, quemadura, asfixia y/o envenenamiento por monóxido de carbono.

Solamente las personas que puedan comprender y seguir las instrucciones deberán usar o hacer el servicio de estas lámparas.

Si usted necesita asistencia o información tales como un manual de instrucción o de las etiquetas, contacte con The Coleman Company, Inc.

## PELIGRO



### • EXPLOSIÓN - PELIGRO DE INCENDIO

- No guarde nunca el propano cerca de un calor excesivo, llamas abiertas, fuegos de piloto, luz solar directa, otras fuentes de encendido o cuando las temperaturas excedan los 120 grados F (49°C).
- El propano es más pesado que el aire y se puede acumular en los niveles del suelo más bajos. Si usted huele a gas, abandone el área inmediatamente.
- No instale o reemplace nunca el tanque de propano mientras la lámpara para esté prendida, cerca de una llama, fuegos de piloto, otras fuentes de encendido o mientras la lámpara esté caliente al tacto.
- Durante su funcionamiento, este producto puede ser una fuente de encendido. No use nunca la lámpara en sitios que contengan o puedan contener combustibles volátiles o que se puedan transmitir por medio del aire o productos tales como gasolina, disolventes, disolventes para pintura, partículas de polvo o químicos desconocidos. Espacios de separación mínimos de los materiales combustibles: 12 pulgadas (30.5 cm) por los lados y 48 pulgadas (1.2 mtr.) por arriba.
- No obstruya el flujo de la combustión o la ventilación del aire.

### **ADVERTENCIA**

No la use dentro de la casa o en vehículos de recreo. Nosotros no podemos preveer cada uso que se pueda hacer de nuestros productos.

**Compruebe con su autoridad de seguridad de incendios local si tiene usted preguntas acerca del uso.**

Sus autoridades locales pueden aconsejarle a usted acerca de otras normas para regular el uso de gases de combustible y productos que producen calor para usos específicos.

- No rellene nunca los cilindros desechables.
- Use el regulador montado por la fábrica que viene con la lámpara. No intente ajustarlo.
- Use sola mente piezas y accesorios Coleman®. Durante el montaje de la lámpara, use agua jabonosa para revisar todos los terminales por si hubieran fugas. No use nunca una llama.

### **PELIGRO**



- **PELIGRO DE MONOXIDO DE CARBONO**
- Esta lámpara es un aparato de combustión. Todos los aparatos de combustión producen monóxido de carbono (CO) durante el proceso de combustión. Este producto está diseñado para producir cantidades extremadamente diminutas y no peligrosas de (CO) si se usa y mantiene de acuerdo con todas las advertencias e instrucciones. No bloquee el fluido de aire hacia dentro o hacia afuera de la lámpara.
- El envenenamiento de Monóxido de Carbono (CO) produce síntomas parecidos a la influenza (flu), ojos llorosos, dolores de cabeza, mareos, cansancio y posibilidades de muerte. Usted no puede verlo y olerlo. Es un asesino invisible. Si estos síntomas están presentes durante el funcionamiento de este producto. **¡Consiga aire fresco inmediatamente!**
- **¡Solamente para uso al aire libre!**
- **No la use nunca dentro de la casa, camper, tienda de campaña, vehículo u otras áreas cerradas o no ventiladas. Esta lámpara consume aire (oxígeno). No la use dentro de áreas cerradas o no ventiladas para evitar poner su vida en peligro.**



### **ADVERTENCIA**

- Este producto está alimentado por gas propano. El gas propano es invisible, inodoro e inflamable. Normalmente se le añade un odorante para ayudar a detectar las fugas y el olor se puede describir como a "huevo podrido". El odorante puede desaparecer con el tiempo así es que la fuga de gas no siempre es detectable solo por el olor.
- El gas propano es más pesado que el aire y la fuga de gas descenderá al nivel del suelo más bajo posible. Este puede prenderse por fuentes de encendido incluyendo fósforos, encendedores, chispas o llamas abiertas de cualquier clase alejadas a muchos pies de la fuga original. Use solamente el procedimiento establecido para extraer el vapor que se pueda producir en el gas propano.
- El gas propano debe ser guardado o usado en cumplimiento con las ordenanzas y códigos locales o con el ANSI/NFPA 58. Apague el propano cuando no esté en uso.

#### PROPOSICION 65 DE CALIFORNIA:

ADVERTENCIA: Este combustible y los derivados por su combustión de este combustible, contienen químicos conocidos en el estado de California como causa de cáncer, defectos de nacimiento u otros daños al sistema reproductivo.

### **ADVERTENCIA**



#### • PELIGRO DE QUEMADURAS

- No deje nunca la lámpara desatendida cuando esté caliente o en uso.
- Manténgala fuera del alcance de los niños.

### **CAUIDADO**

#### • SEGURIDAD DE SERVICIO

- Use solamente el propano preparado para separación de vapor.
- Mantenga limpias todas las conexiones y terminales. Antes de conectar inspeccione el cilindro del propano y las conexiones de la lámpara de propano por si estuvieran dañados.
- Durante el montaje, **COMPRUEBE POR SI HAY FUGAS** de una o más formas: Poner agua jabonosa en las conexiones. **Mire** si se producen burbujas. **Escuche** por un ruido de gas escapando. **Sienta** por si hay un frío extremo. **Huela** por un hedor a huevo podrido. No use una llama. **No la use si hay una fuga.**
- Úsela solamente como un aparato de lámpara. No altere nunca en ninguna manera o no la use con ningún aparato o pieza que no esté expresamente aprobado por Coleman.
- No la use nunca como una estufa para calentar un lugar.
- Úsela siempre parada en posición derecha. Proteja el cilindro de un calor excesivo.

### *Para Armar*

### Características Técnicas

Consumo: 2,800 BTU/HR

Categoría: Presión de propano regulada

Combustible: Use los cilindros desechables de propano de 16.4 onzas (465 gr.)

Regulador: 5155

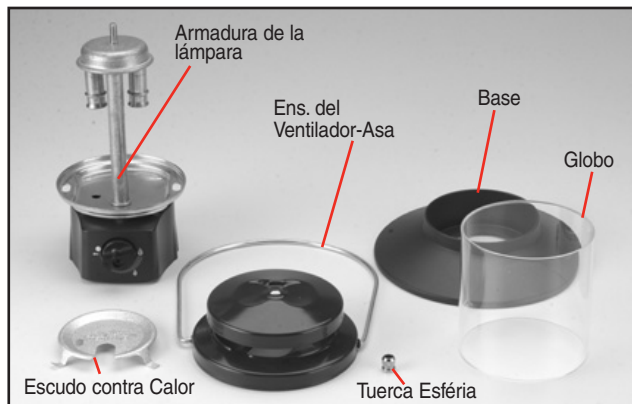
## ⚠ PELIGRO



### • PELIGRO DE MONOXIDO DE CARBONO

- Para uso al aire libre solamente.
- No la use nunca dentro de la casa, camper, tienda de campaña, vehículo u otras áreas cerradas o no ventiladas. Esta lámpara consume aire (oxígeno). No la use en áreas cerradas o no ventiladas para evitar poner en peligro su vida.

- Saque las piezas del paquete.



- Instale el escudo contra calor tal y como se muestra.
- Siempre use mantillas Coleman genuinas.
- Ate las MANTILLAS alrededor de las hendiduras en el QUEMADOR.
- Distribuya los pliegues en la MANTILLA uniformemente. Corte el cordón adicional a 0.6cm (1/4 pulgada) del nudo.

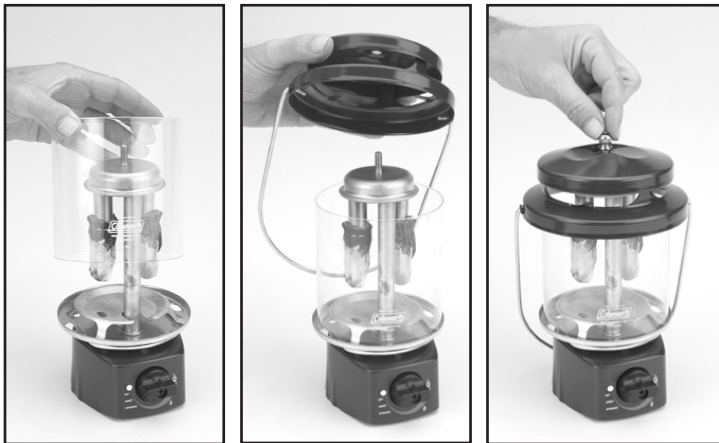


- Encienda la parte inferior de la mantilla uniformemente. Déjela quemar hasta que solo queden cenizas blancas. Una y otra vez la mantilla ha sido incinerada se pone muy frágil. Tenga cuidado en no tocarla con el dedo o fósforo.



## Para Armar *continuación*

- Termine de ensamblar la lámpara.



## Para encender

### ⚠ ADVERTENCIA

Si usted huele gas:

1. No intente encender el aparato.
2. Extinga cualquier llama abierta.
3. Desconecte el suministrador de combustible.
4. Llame al 1-800-835-3278.

### ⚠ ADVERTENCIA

• Reemplace cualquier mantilla que tenga algún agujero. Un agujero puede causar que la lámpara se sobrecaliente y crear peligro. No haga funcionar nunca la lámpara sin el protector para el calor.

## Para encender *continuación*

■ **Nota:** Use los cilindros desechables de propano Coleman de 16.4 onzas (465 gr.). El cilindro (s) de gas de Propano Líquido usado (s) con las lámparas debe (en) ser construido (s) y hecho (s) de acuerdo con las especificaciones para los cilindros de gas de Propano Líquido del Departamento de Transportes de los Estados Unidos o *Transporte del Canadá, CAN/CSA B339.*

- Lleve la lámpara afuera lejos de fuentes de encendido.
- Gire la válvula a apagado.

■ Retire la tapa protectora de la parte superior del cilindro de propano. Guarde la tapa para usarse durante el almacenamiento.



## ⚠ PELIGRO



### • EXPLOSIÓN - RIESGO DE FUEGO

- El propano es más pesado que el aire y se puede acumular en los lugares bajos. Si usted huele gas, abandone el área inmediatamente.
- Conecte o desconecte siempre las fuentes del propano al aire libre; nunca lo haga mientras la lámpara esté encendida, cerca de una llama, fuegos de piloto, otras fuentes de encendido o cuando la lámpara esté caliente al tacto.
- Encienda y use siempre la lámpara al aire libre.
- Esta lámpara no se debe exponer a vapores o líquidos inflamables durante su encendido.
- Esta lámpara está al rojo vivo durante su uso y puede encender artículos inflamable que estén demasiado cerca de las mantillas. Mantenga las cosas inflamables por lo menos a 12 pulgadas (30.5 cm.) por los lados y a 48 pulgadas (1.2 mtr.) por encima de la lámpara. La gasolina y otros vapores y líquidos inflamables manténgalos bien lejos de la lámpara.

■ Enrosque el cilindro de propano en la lámpara. Tenga cuidado en no dañar la rosca. Ajuste a mano solamente.



■ Coloque la lámpara en la base.



■ Ponga un fósforo encendido a través del orificio de encender; sosténgalo cerca de la mantilla y abra la válvula de combustible completamente.



### **⚠ PRECAUCION**

#### • **SEGURIDAD DE SERVICIO**

- Mantenga limpias todas las conexiones y los terminales. Antes de conectar inspeccione el cilindro de propano y las conexiones del propano de la lámpara por si estuvieran dañados.
- Mientras la arma, usando agua jabonosa revise todas las conexiones y los terminales por si hubieran fugas. Si hay burbujas indican que hay una fuga. No use nunca una llama.

### **⚠ ADVERTENCIA**



#### • **PELIGRO DE QUEMADURAS**

- No deje nunca la lámpara desatendida cuando esté caliente o en uso.
- Manténgala fuera del alcance de los niños.

## Para encender *continuación*

- La intensidad lumínica puede ser ajustada con la válvula de combustible.



## Para apagar

- Cierre la válvula de combustible.



## Para guardar

- Asegurarse de que la lámpara esté fría.
- Aleje la lámpara de la llama (incluyendo los mecheros pilotos) y otras fuentes de encendido.
- Quite el cilindro de propano de la lámpara.
- Vuelva a colocar la tapa protectora en el cilindro de propano.



## ⚠ PELIGRO



### • EXPLOSIÓN - RIESGO DE FUEGO

- No guarde nunca el propano cerca de calor excesivo, llamas expuestas, pilotos encendidos, luz solar directa, otras fuentes de encendido o cuando las temperaturas excedan de 120 grados F (49°C).
- Los tanques de propano rellenables siempre deben guardarse al aire libre en un sitio muy ventilado. No guarde nunca el tanque de propano en un área cerrada (casa, garage, etc.). Si la lámpara se guarda al aire libre, desconéctela del tanque de propano.

## Cosas Que Debe Saber

1. En algunos sitios es inseguro e ilegal guardar o usar cilindros de propano líquido de más de 1.14 kg (2.5 lbs.), capacidad de agua (aproximadamente 465g (1 lb.) propano) en sitios cerrados ocupados.
2. Tenga siempre un juego de repuesto de Mantillas Coleman®. Una vez que mada, una mantilla es frágil y se puede dañar si se toca o se cae.
3. Limpie con un paño ligero y con liquido de lavar platos suave. No use abrasivos.
4. Los sitios comunes para guardar equipos de campamento y expedición son los sótanos, áticos o garajes. Para evitar la acumulación de polvo, telarañas, etc., que son comunes en estas áreas, ponga su lámpara en una bolsa de plástico y ciérrela con una banda elástica.
5. Durante el funcionamiento, lleve la lámpara usando el asa.
6. Si su lámpara produce una llama humeante amarilla, revise el quemador y el tubo del aire para ver si tienen telarañas.
7. Para servicio de reparación, llame a uno de los números listados en la cubierta frontal para obtener la ubicación de su Centro de Servicio Coleman más cercano. Si la lámpara debe ser enviada por correo al Centro de Servicio, adjunte al producto una etiqueta que ponga su nombre, dirección, número de teléfono durante el día y una descripción del problema. Quite el globo y el ventilador para prevenir que se rompan. NO envíe el cilindro de propano. Empaque cuidadosamente el producto y envíelo ya sea por UPS o por Paquete Postal **asegurado** con el franqueo y el **seguro** pagado por anticipado a:

### Para los productos comprados en los Estados Unidos:

The Coleman Company, Inc.  
3600 North Hydraulic  
Wichita, KS 67219

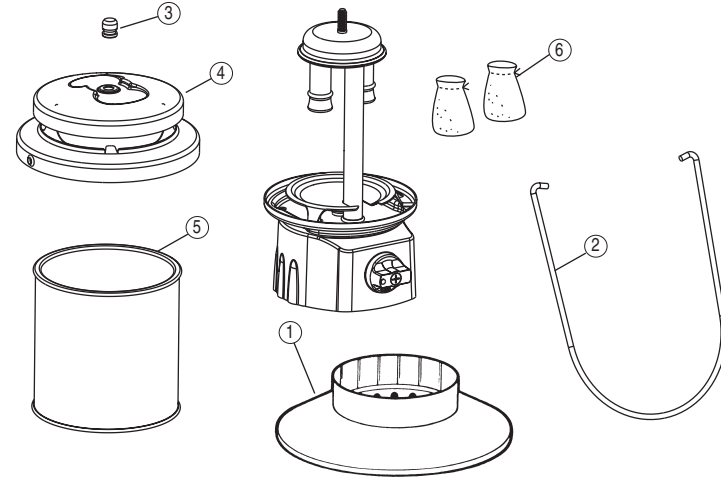
### Para los productos comprados en Canada:

Sunbeam Corporation (Canada) Limited  
5975 Falbourne Street  
Mississauga, Ontario  
Canada L5R 3V8

8. Si no está completamente satisfecho con el funcionamiento de este producto, por favor llame a uno de los números listados en la cubierta de este manual.

## Lista de Piezas

No.	5155 con fósforo	Descripción
1	5159-2001	Base
2	5155-1381	Asa
3	220-4411	Tuerca del Ventilador
4	5155-4851	Ventilador
5	R214A046C	Globo
6	#21	Mantilla



## Garantía Por Vida Limitada

La Compañía Coleman, Inc. ("Coleman") garantiza que por el período que sea usted dueño de este producto, este estará libre de defectos de material y construcción. Coleman, a su discreción reparará o reemplazará este producto o cualquier componente del producto que esté defectuoso durante el período de la garantía. Cualquier reemplazo será hecho con un producto o componente nuevo o refabricado. Si el producto no se encuentra disponible, el reemplazo se podrá hacer con un producto similar de igual o mayor valor. Esta es su garantía exclusiva.

Esta garantía es válida para el comprador original desde la fecha de la compra inicial y no es transferible. Guarde su recibo de compra. La prueba del recibo de compra es requerido para obtener la ejecución de la garantía. Los comerciantes de Coleman, centros de servicios o las tiendas al por menor que venden productos Coleman no tienen el derecho de alterar, modificar o cambiar de ninguna otra manera los términos y condiciones de esta garantía.

Esta garantía no cubre el desgaste normal de las piezas o cualquier daño que resulte por lo siguiente: uso negligente o abuso del producto, uso incorrecto del voltaje o corriente, uso contrario a las instrucciones de operación, desmontaje, reparación o alteración por cualquiera que no sea Coleman o un centro de servicio autorizado. Además, esta garantía no cubre actos de fuerzas mayores, tales como el son fuego, inundaciones, huracanes y tornados.

**COLEMAN NO SERÁ RESPONSABLE POR NINGÚN DAÑO INCIDENTAL O CONSIGUIENTE OCASIONADO POR LA VIOLACIÓN DE CUALQUIER GARANTÍA O CONDICIÓN IMPLICADA O EXPRESADA. CON EXCEPCIÓN AL LÍMITE DE LO QUE PROVEE LA LEY APLICABLE, CUALQUIER GARANTÍA IMPLICADA DE COMERCIO O ADAPTACIÓN PARA UN USO EN PARTICULAR ES LIMITADA EN SU DURACIÓN A LA DURACIÓN DE LA GARANTÍA ARRIBA MENCIONADA. ALGUNOS ESTADOS, PROVINCIAS O JURISDICCIONES NO PERMITEN LA EXCLUSIÓN O LIMITACIÓN DE DAÑOS INCIDENTALES O CONSIGUIENTES O LIMITACIONES REFERENTE A CUÁNTO UNA GARANTÍA LIMITADA DEBE DURAR, POR LO TANTO LAS LIMITACIONES O EXCLUSIONES ARRIBA MENCIONADAS PUEDE QUE NO SEAN APLICABLES A USTED. ESTA GARANTÍA LE PROVEE DERECHOS LEGALES ESPECÍFICOS Y ADEMÁS PUEDE QUE USTED TENGA OTROS DERECHOS QUE VARIAN DE ESTADO A ESTADO O DE PROVINCIA A PROVINCIA.**

### Como Obtener Servicio de Garantía

Lleve el producto a un centro de servicio Coleman autorizado. Usted puede localizar su centro de servicio Coleman más cercano llamando al número 1-800-835-3278 o al TDD 316-832-8707 en los Estados Unidos o al 1-800-387-6161 en Canadá. Si no encuentra un centro de servicio convenientemente localizado, adhiera una etiqueta al producto que incluya su nombre, dirección, número de teléfono y una descripción del problema. Incluya una copia del recibo de compra original. Empaque el producto cuidadosamente y envíelo por correo o por "UPS" con seguro y porte pagado a:

#### Para productos comprados en los Estados Unidos:

The Coleman Company, Inc.  
3600 North Hydraulic  
Wichita, KS 67219

#### Para productos comprados en Canadá:

Sunbeam Corporation (Canada) Limited  
5975 Falbourne Street  
Mississauga, Ontario  
Canada L5R 3V8

No envíe productos con combustible en los tanques, o con los cilindros de propano desechables. Quite los globos de cristal de las lámparas y envuélvalos por separado.

NO DEVUELVA ESTE PRODUCTO DONDE LO COMPRO.

Si tiene usted alguna pregunta sobre esta garantía por favor llame 1-800-835-3278 o al TDD 316-832-8707 en los Estados Unidos o al 1-800-387-6161 en Canadá.




The Coleman Company, Inc. • 3600 N. Hydraulic • Wichita, KS 67219 U.S.A.  
1-800-835-3278 • TDD: 316-832-8707

Sunbeam Corporation (Canada) Limited • 5975 Falbourne Street  
Mississauga, Ontario, Canada L5R 3V8 • 1 800 387-6161

©2004 The Coleman Company, Inc. All rights reserved. Coleman® and  are registered trademarks of The Coleman Company, Inc.

©2004 The Coleman Company, Inc. Tous droits réservés. Coleman® et  sont des marques déposées de The Coleman Company, Inc.

©2004 The Coleman Company, Inc. Todos los derechos reservados. Coleman® y  son marcas registradas de The Coleman Company, Inc.

[www.coleman.com](http://www.coleman.com)



## Free Manuals Download Website

<http://myh66.com>

<http://usermanuals.us>

<http://www.somanuals.com>

<http://www.4manuals.cc>

<http://www.manual-lib.com>

<http://www.404manual.com>

<http://www.luxmanual.com>

<http://aubethermostatmanual.com>

Golf course search by state

<http://golfingnear.com>

Email search by domain

<http://emailbydomain.com>

Auto manuals search

<http://auto.somanuals.com>

TV manuals search

<http://tv.somanuals.com>