



Gas Barbecue Use, Care & Assembly Manual With Grill Lighting Instructions

5400 LP Gas Series

ASSEMBLER/INSTALLER:
Leave these instructions with the consumer.

CONSUMER/USER:
Read all instructions and keep in a safe place for future reference.



www.coleman.com

IMPORTANT

Read this manual carefully before assembling, using or servicing this grill. Keep this manual for future reference. If you have questions about assembly, operation, servicing or repair of this grill, please call Coleman at 1-800-356-3612 or TDD: 316-832-8707. In Canada call 1-800-387-6161.

For Outdoor Use Only



Contents

General Safety Information	2
General Installation	3
Electrical Attachments	4
Fuel Connections Other Than Portable L.P. Cylinders	4
Natural Gas Connections	4
Portable L.P. Gas Barbecue Cylinders	4
L.P. Gas Cylinder	5
Hose and Regulator	5
Transporting the Cylinder	5
Filling and Purging Type 1 L.P. Gas Cylinders	6
Purging and Evacuating Devices for L.P. Gas Cylinders with Type 1 Cylinder Valves	6
Assembly/Set up	7
Connecting Type 1 L.P. Gas Cylinders	28
Leak Testing	28
Fixing a Fuel Leak	28
Start-Up Check List	29
Lighting Instructions	29
Lighting Main Burners	30
Lighting Side Burner	30
Shutting Off the Grill	30
General Use and Correct Burner Flames	30
Grilling Tips and Hints	31
In Case of Grease Fire	31
Cooking Methods	31
Cleaning the Venturi	32
Cleaning and Maintenance	32
Moving and Storage	33
Troubleshooting	33
For Your Additional Safety	34
Registration Card	35
Warranty	Back Page

General Safety Information

This manual contains important information about the assembly, operation and maintenance of this product and system. General safety information is presented in these first few pages and is also located throughout the manual. Particular attention should be paid to information accompanied by the safety alert symbols: "▲ DANGER", "▲ WARNING", "▲ CAUTION".

Keep this manual for future reference and to educate new users of this product. This manual should be read in conjunction with the labeling on the product.

Safety precautions are essential when any mechanical or propane fueled equipment is involved. These precautions are necessary when using, storing, and servicing. Using this equipment with the respect and caution demanded will reduce the possibilities of personal injury or property damage.

The following symbols shown below are used extensively throughout this manual. Always heed these precautions, as they are essential when using any mechanical or fueled equipment.

▲ DANGER

DANGER indicates an imminently hazardous situation which, if not avoided, will result in death or serious injury.

▲ WARNING

WARNING indicates a potentially hazardous situation which, if not avoided, could result in death or serious injury.

▲ CAUTION

CAUTION indicates a potentially hazardous situation which, if not avoided, may result in minor or moderate personal injury, or property damage.

▲ WARNING

IF YOU SMELL GAS:

1. Shut off gas to the appliance.
2. Extinguish any open flame.
3. Open lid.
4. If odor continues, immediately call your gas supplier or your fire department.
5. NEVER use Natural Gas in a unit designed for Liquid Propane (L.P.) Gas.

▲ WARNING

FOR YOUR SAFETY:

1. DO NOT Store or use gasoline or other flammable vapors and liquids in the vicinity of this or any other appliance.
2. An L.P. cylinder not connected for use shall NOT be stored in the vicinity of this or any other appliance.
3. NEVER use Liquid Propane (L.P.) Gas in a unit designed for Natural Gas.

▲ WARNING

Combustion by-products produced when using this product contain chemicals known to the State of California to cause cancer, birth defects, or other reproductive harm.

▲ DANGER

- FOR OUTDOOR USE ONLY. NEVER operate grill in enclosed areas, as this could lead to gas accumulating from a leak, causing an explosion or a carbon monoxide buildup which could result in injury or death. DO NOT use in garages, breezeways, sheds or any enclosed area. (Fig. 1)
- NOT FOR USE BY CHILDREN. (Fig. 2)
- If these instructions are ignored, a hazardous fire or explosion could result in physical injury, death or property damage!

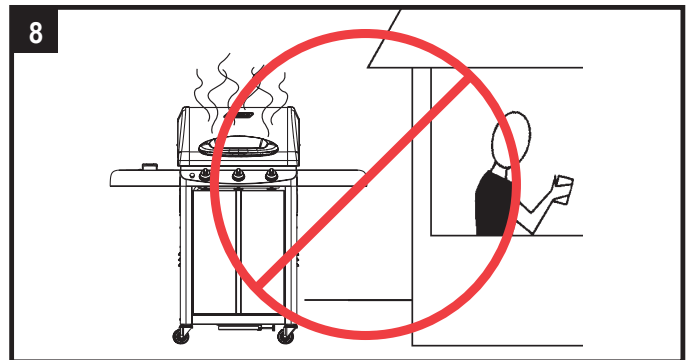
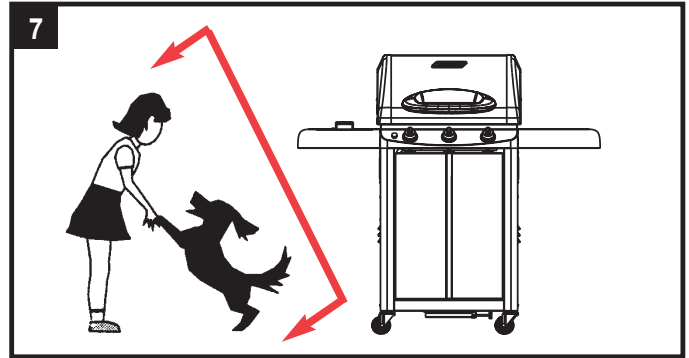
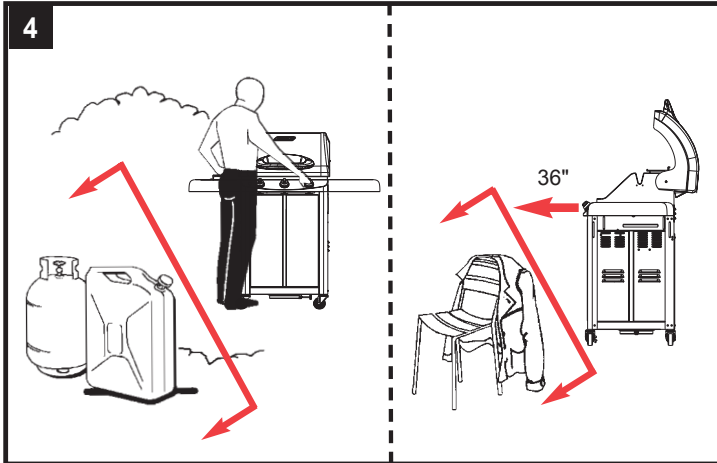
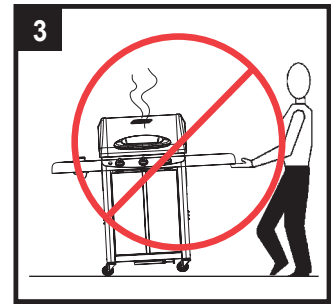
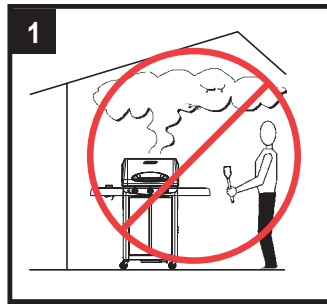
▲ WARNING

- DO NOT move grill while it is lit. (Fig. 3)
- Keep outdoor cooking gas appliance area clear and free from combustible materials, gasoline and other flammable vapors and liquids. (Fig. 4)

▲ WARNING

- NEVER place more than 15 pounds on a side table or a side burner. DO NOT lean on grill. (Fig. 5)
- NEVER use charcoal briquettes or lighter fluid in a gas grill. (Fig. 6)
- Grill is hot when in use; to avoid burns, DO NOT touch any hot grill surface. Keep children and pets away from hot grill. (Fig. 7)
- NEVER leave the grill unattended while it is in use. (Fig. 8)
- It is your responsibility to assemble, install, operate and care for your gas grill properly.
- DO NOT vent propane vapor from the cylinder before taking it to be refilled.
- DO NOT use gas grill indoors or store any propane cylinder(s) indoors, including in the garage, breezeways, sheds or enclosed areas.
- Under some circumstances, propane may lose the distinctive odor that was added. Keep the service valve closed and plugged or capped (as recommended by the manufacturer) when the cylinder is not connected to the appliance, including "empty" cylinders. Other strong odors may hide or mask the odor of propane. Colds, allergies, sinus congestion, and the use of tobacco, alcohol or drugs may impair your ability to detect the odor of propane.

General Safety Information cont.



General Installation

- Installation must conform with local codes or, in the absence of local codes, with either the National Fuel Gas Code, ANSI Z223.1 (USA), CAN/CGA-B149.1, Natural Gas Installation Code or CAN/CGA-B149.2, Propane Installation Code (Canada). To check local codes, see your local L.P. gas dealer or natural gas company listed in the Yellow Pages for recommended installation procedures and regulations.

WARNING

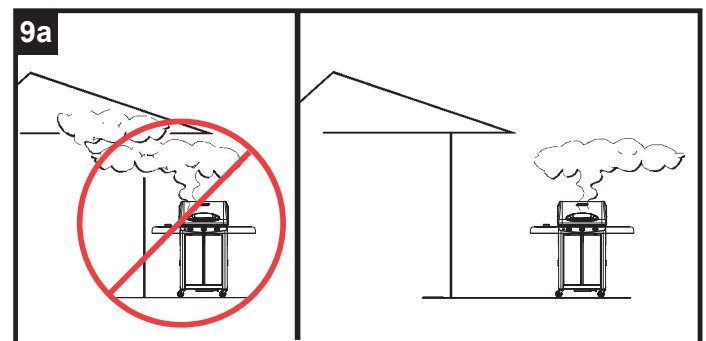
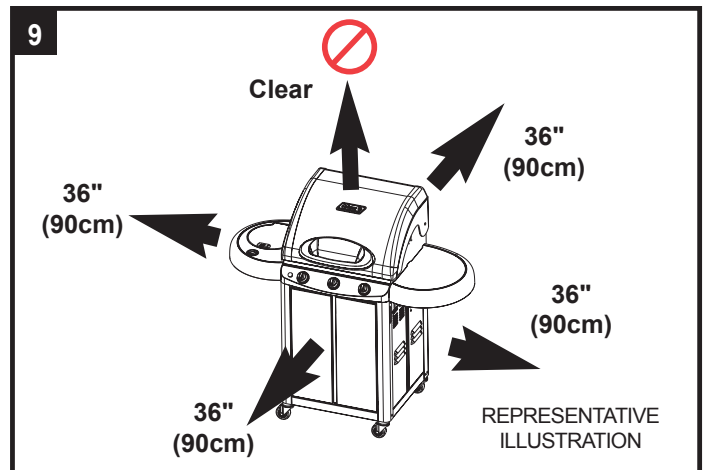
This appliance is not to be installed in or on a recreational vehicle and/or boat.

Follow these safety rules before each use:

1. Always maintain a minimum clearance of 36 inches or 90 cm from all sides of grill to any combustible construction. (Fig. 9)
2. Never locate grill under an unprotected combustible material or overhang which is connected to a building. (Fig. 9a)
3. Do not obstruct the flow of combustion and ventilation air.
4. Keep the ventilation opening(s) of the cylinder enclosure free and clear from debris.
5. Grill should be level and not facing directly into wind.

WARNING

Keep any electrical supply cord away from any heated surface. During assembly of grill and when attaching or replacing the L.P. gas cylinder, insure that the gas supply hose is free of kinks and is at least 3" away from hot surfaces such as the grill housing.



Electrical Attachments

When using an electric attachment with grill, follow specification and warning statements accompanying the attachment.

IMPORTANT: If using an external electrical source, the installed appliance must be electrically grounded according to local codes or, in the absence of local codes, with the National Electrical Code, ANSI/NFPA 70 or the Canadian Electrical Code CSA C22.1.

⚠ WARNING

Electrical Grounding instructions: An appliance equipped with a three-prong (grounding) plug is for your protection against shock hazard and must be plugged directly into a properly grounded three-prong receptacle. **DO NOT** remove grounding prong from a three-prong plug.

Longer detachable power-supply cords or extension cords must be used with care. The marked electrical rating of the cord set or extension cord must be at least as great as the electrical rating of the appliance. If the appliance is of the grounded type, the extension cord should be a grounding-type 3-wire cord. Use outdoor extension cords with a surface marked with suffix letters "W-A" and with a tag stating "Suitable for Use with Outdoor Appliances". Keep the connection to an extension cord away from water and off the ground. Arrange the cord so that it will not drape over the countertop or tabletop where it can be pulled on by children or tripped over unintentionally.

Never clean any electrical product with water or cleaning fluids. Store electrical products indoors and out of reach of children when not in use. **DO NOT** allow cord to touch any hot surfaces which could melt insulation.

LP Fuel Connections Other Than Portable L.P. Cylinders

⚠ CAUTION

- This section applies to L.P. Gas (Propane) Grills and only where propane gas is to be piped to the grill.
- Natural gas can be used only with grills which have been equipped for use with natural gas.

If the appliance is for connection to other than an L.P. cylinder (consult the Assembly Instructions) the gas connections must be made by a qualified installer or a licensed plumber. The gas supply line must not be installed by the consumer.

The maximum inlet supply pressure is 13.0" w.c. for propane gas. The specified supply pressure is 11.0" w.c. for propane gas.

THE PIPING SYSTEM MUST BE INSTALLED IN ACCORDANCE WITH NATIONAL FUEL GAS CODE IN THE USA, INCLUDING:

1. The appliance and its individual shut-off valve must be disconnected from the gas supply piping system during any pressure testing of that system at test pressures in excess of 1/2 psi (3.5 kPa).
2. The appliance must be isolated from the gas supply piping system by closing its individual manual shut-off valve during any pressure testing of the gas supply piping system at test pressures equal to or less than 1/2 psi (3.5 kPa).

Natural Gas Connections

⚠ WARNING

- Gas supply system must be installed in accordance with the U.S. National Fuel Gas Code.
- This appliance and its individual shut off valve must be disconnected from the gas supply piping system during any system pressure test in excess of 1/2 PSI (3.5 KPA).
- Use a system manual shut off valve to shut off the gas supply to this gas appliance before continuing with installation procedures.

The maximum inlet supply pressure is 10.5" w.c. for natural gas. The specified supply pressure is 7.0" w.c. for natural gas.

⚠ WARNING

A liquid propane tank, not connected for use with this gas barbecue, shall not be stored in the vicinity of this or any other appliance.

Installation and provision for combustion and ventilation air must conform with the *National Fuel Gas Code, ANSI Z223.1*, or *CAN/CGA-B149.1, Natural Gas Installation Code*, or *CAN/CGA-B149.2, Propane Installation Code*.

Connections must comply with local requirements and are the sole responsibility of the person performing the work. A certified plumber must make connection to gas source.

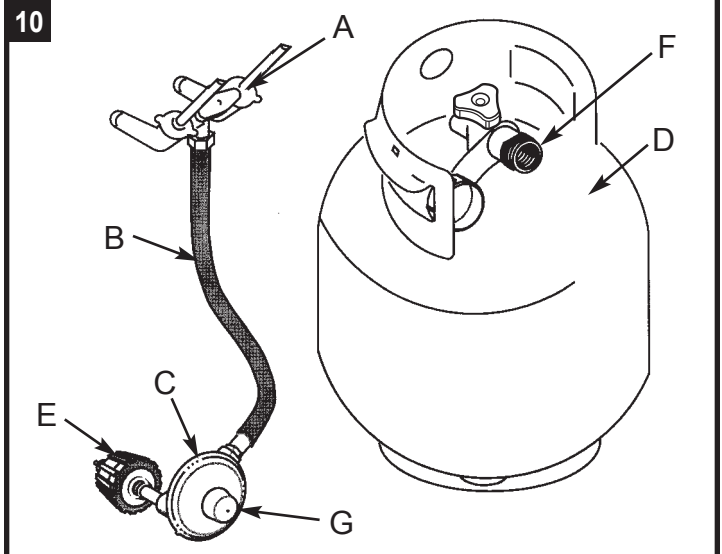
Portable L.P. Gas Barbecue Cylinders

Liquefied Petroleum gas (abbreviated L.P. gas or propane), is highly flammable. It becomes liquid when stored under high pressure inside a cylinder and vaporizes when released. L.P. gas is heavier than air and tends to collect in low areas. It is important that there are no leaking connections on your gas grill that could cause a fire or explosion (see "LEAK TESTING", Pg. 28).

Portable LP gas grills require a fuel delivery system which is comprised of a valve [A], a hose [B], a regulator [C] with vent hole [G], an L.P. gas supply cylinder [D], a Type 1 coupling nut [E] and a Type 1 cylinder valve [F]. (Fig. 10). Illustration in Fig. 10 is for description purposes only. The valve assembly for this grill is of a different configuration.

⚠ WARNING

Your new barbecue grill is equipped with a Type 1 coupling nut [E]. **DO NOT** attempt to connect to any other L.P. cylinder not equipped with a mating Type 1 cylinder valve [F]. This grill is not to be used with any other cylinder connection device.



L.P. Gas Cylinder

⚠ DANGER

- DO NOT insert any foreign objects into the valve outlet. You may damage the valve. A damaged valve can cause a leak, which could result in explosion, fire, severe personal injury or death.

⚠ WARNING

- Cylinders must be stored outdoors out of the reach of children and must not be stored in a building, garage or any other enclosed area. (Fig. 11)

Cylinder Specifications

- Any L.P. gas supply cylinder used with this grill must be approximately 12 inches diameter and 18 inches high. The maximum fuel capacity is 80% and is approximately 20 pounds of propane.
- The maximum weight of a properly filled cylinder will be approximately 38 pounds (47.7 lbs. nominal water capacity).
- The L.P. cylinder must have a shut-off valve terminating in a Type 1 L.P. gas cylinder valve outlet (see item [F], Fig. 10, pg. 4).

11



- A Type 1 compatible cylinder with a Type 1 cylinder valve has a back-check valve which does not permit gas flow, until a positive seal has been obtained.
- The cylinder must be arranged for vapor withdrawal. It must also include a collar to protect the cylinder valve. A safety relief device having direct communication with the vapor space of cylinder must be provided. This will expel high pressure gas if the cylinder is overfilled or overheated which could result in fire or explosion.
- All L.P. gas cylinders used with this appliance shall be constructed and marked in accordance with the specifications for L.P. gas cylinders of the U. S. Department of Transportation (DOT) or the National Standard of Canada, CAN/CSA-B339, Cylinders, Spheres and Tubes for Transportation of Dangerous Goods; and Commission, as applicable; and shall be provided with a listed overfilling prevention device.
- Read labels on the L.P. Gas Supply Cylinder.
- New cylinders are always shipped empty for safety.
- Allow only qualified L.P. gas dealers to fill or repair your L.P. gas supply cylinder.
- Inform the gas dealer if it is a new or used cylinder to be filled.
- Caution the gas dealer not to overfill cylinder.
- After filling, have the gas dealer check for leaks and to see that the relief valve remains free to function.

L.P. Gas Cylinder cont.

⚠ CAUTION

Have the gas dealer weigh cylinder after filling to ensure that the cylinder is not overfilled.

Hose and Regulator

The Type 1 connection system has the following features:

1. The system will not allow gas to flow until a positive connection has been made.

NOTE: The cylinder control valve must be turned off before any connection is made or removed.

2. The system has a thermal element that will shut off the flow of gas in the event of a fire.
3. The system has a flow limiting device which, when activated, will limit the flow of gas to 10 cubic feet per hour.
4. NEVER use grill without leak testing this connection.

⚠ WARNING

- DO NOT attempt to adjust the regulator as this could create a situation causing personal injury or property damage.

The pressure regulator and hose assembly with the Type 1 fitting supplied with the appliance must be used. Do not use another hose and regulator assembly other than the one supplied with the grill or a Coleman replacement pressure regulator assembly. The pressure regulator and hose assembly provided is factory set at an outlet pressure of 11 inches water column (1/2 psi).

- Keep the small vent hole in the regulator clean of dirt and debris (see item [G], Fig. 10, pg. 4).
- Consult your L.P. gas dealer if you think the regulator is not working properly.

⚠ WARNING

During assembly of grill and when attaching or replacing the L.P. gas cylinder, insure that the gas supply hose is free of kinks and/or damage and is at least 3" away from hot surfaces such as the grill housing.

Transporting the Cylinder

- Transport only one cylinder at a time.
- Transport cylinder in an upright and secure manner with a control valve turned off and the cap in place.
- DO NOT transport cylinder in passenger compartment, unless you have an open window ventilation.
- DO NOT leave cylinder in direct sunlight or in a high heat area such as a closed car trunk. High heat areas could cause the relief valve to vent gas.
- Use a cylinder cap on cylinder valve outlet during transport and when the cylinder is not connected to grill.
- Keep cylinder valve closed when not in use.
- Take the cylinder directly home after it has been filled.

Transporting the Cylinder cont.

! WARNING

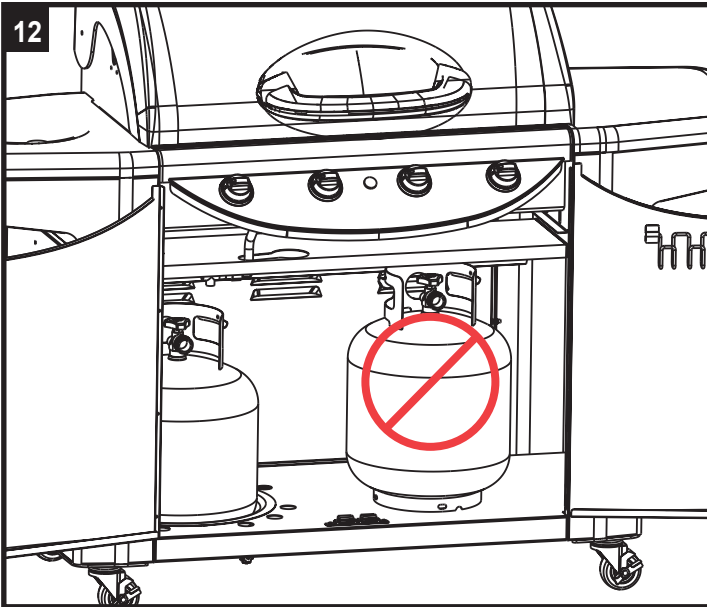
Handle a full cylinder with care. Gas is under high pressure.

! DANGER

- NEVER store a spare L.P. gas supply cylinder under the grill body or inside grill enclosure or in the vicinity of any heat producing appliance. (Fig. 12)
- NEVER fill the cylinder beyond 80% full.

Failure to follow this information exactly could result in an explosion and/or fire causing death or serious injury.

12



Filling and Purging Type 1 L.P. Gas Cylinders

Take these instructions to the L.P. gas dealer.

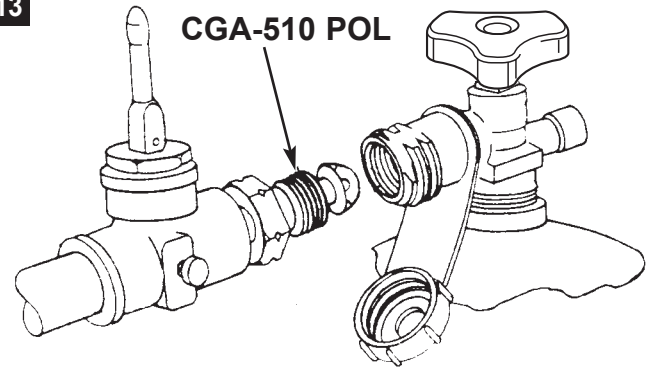
! DANGER

Purging and filling of L.P. Gas cylinders must be performed by personnel who have been thoroughly trained in accepted L.P. Gas industry procedures. Failure to follow this instruction may result in explosion, fire, serious personal injury, or death.

- When using cylinder exchange: If your grill is equipped with a Type 1 cylinder, be sure the exchanged cylinder is a Type 1 cylinder, as a 510 POL cylinder will not fit Type 1 regulator.
- This tank is easily filled with a standard CGA 510 POL filling connection. (Fig. 13)
- New cylinders must be purged before filling. Tell your L.P. Gas dealer if your cylinder is new and has not been previously filled. The L.P. Gas cylinder has a Type 1 cylinder valve with a back-check module in its outlet which will not permit gas to flow until an evacuation device is installed. To purge the L.P. Gas cylinder, the back-check module must be opened with an evacuation device.

Filling and Purging Type 1 L.P. Gas Cylinders cont.

13



Purging and Evacuating Devices for L.P. Gas Cylinders with Type 1 Cylinder Valves

! CAUTION

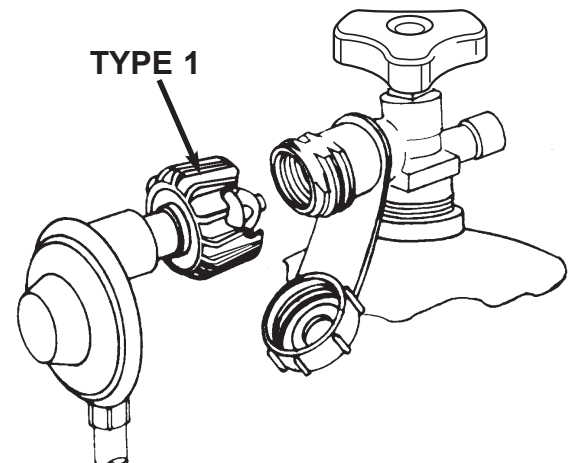
After purging or filling an L.P. Gas cylinder, DO NOT insert a POL plug into the valve outlet. Insertion of the plug will prevent the back-check from closing. Use ONLY the provided cap and strap attached to the outlet. Close the cylinder valve knob before returning the cylinder to the customer.

For proper purging procedures refer to:

In the US: Safety Bulletin NPGA# 133, "Purging L.P. Gas Cylinders", and Safety Bulletin NPGA #130, "Recommended Procedures for Filling Cylinders".

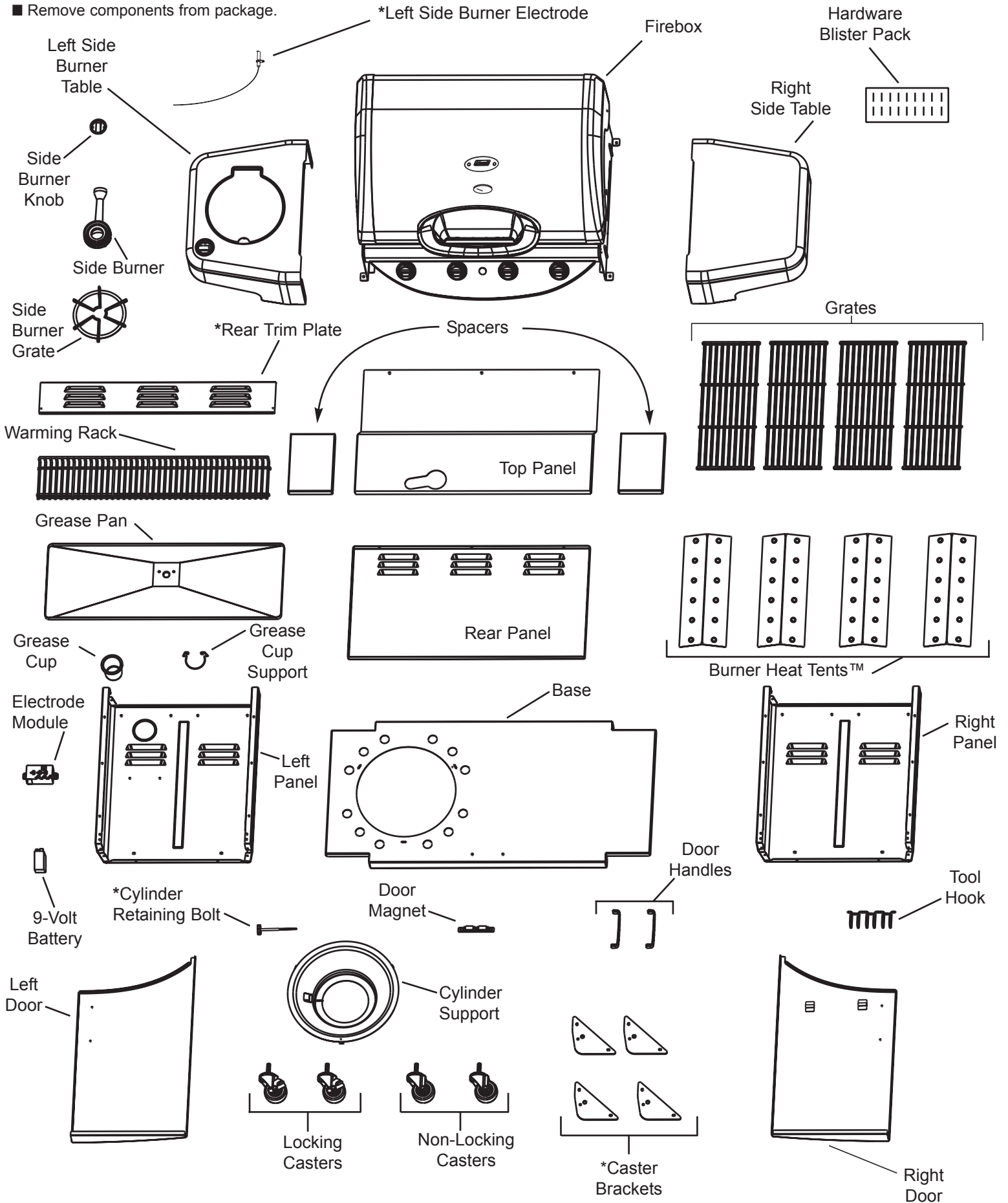
- A. Hose end valve with a bleed port (Fig. 13):
Purging can be accomplished using a hose end valve containing a bleed port which also allows for evacuation without the use of an adapter.
- B. Hose end valve without a bleed port:
When a hose end valve does not have a bleed port, a separate device must be used for evacuation.
- C. Purging using a Type 1 connection (Fig. 14):
L.P. Gas cylinder evacuation can be accomplished during each purging by using a Type 1 connection. The Type 1 valve outlet has an external 1 5/16" ACME right-hand thread which will accept this connection.

14

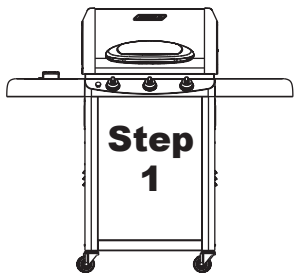


Assembly/Set up

■ Remove components from package.



* On some models, this item is factory installed.

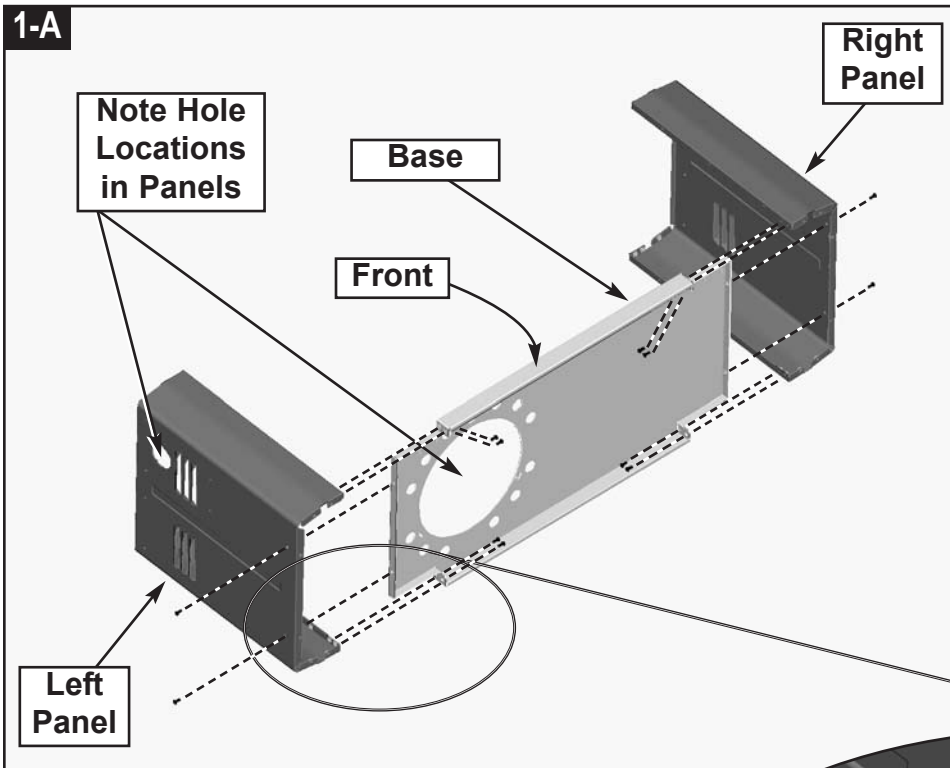


- ⇒ **NOTE:** Use a large piece of cardboard or a ground cloth to protect the painted finish on the grill.
- ⇒ Assemble the Right Panel and the Left Panel to the Grill Base.

Hardware shown actual size

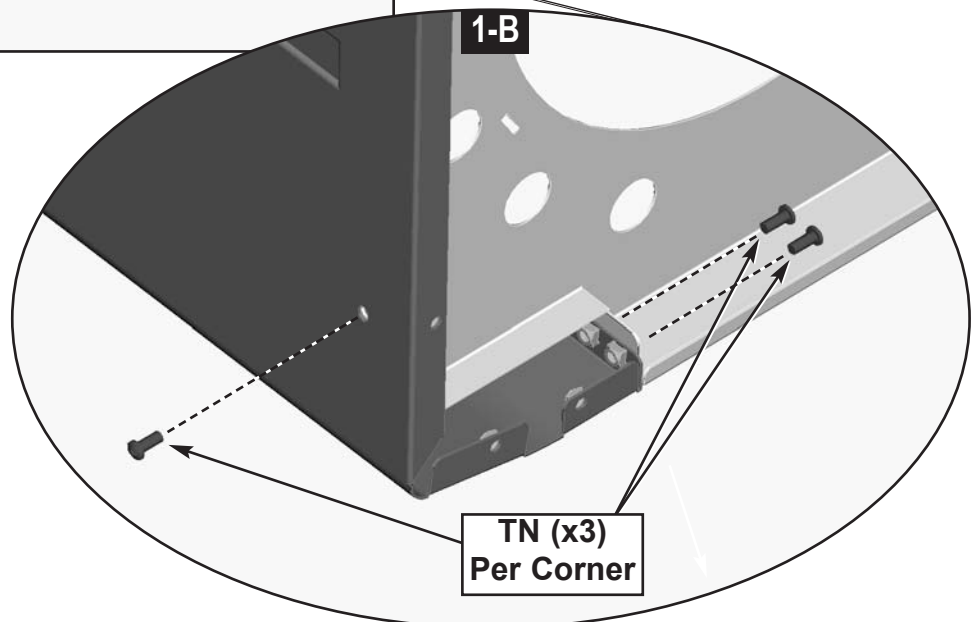


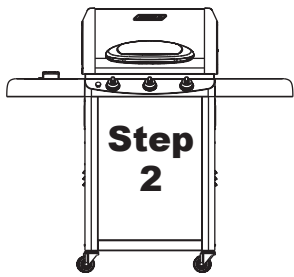
(TN)
M6 x 15mm Screw
(12) Qty.



1-A. Arrange the two panels and the base on the ground as shown.

- ⇒ **LOOSELY** assemble the Right Panel and the Left Panel to the Grill Base using three screws (TN) in each corner (see Fig. 1-B).
- ⇒ Tighten all fasteners.





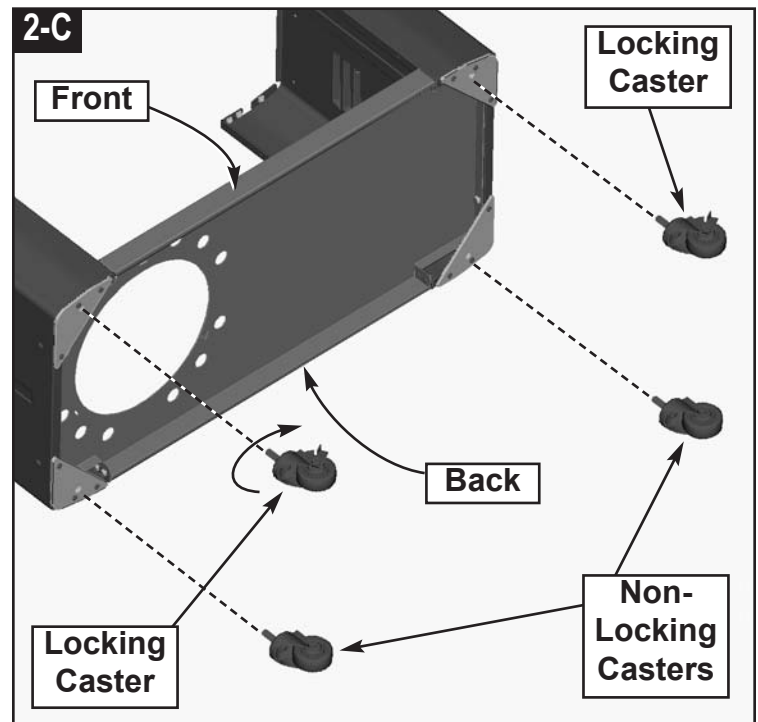
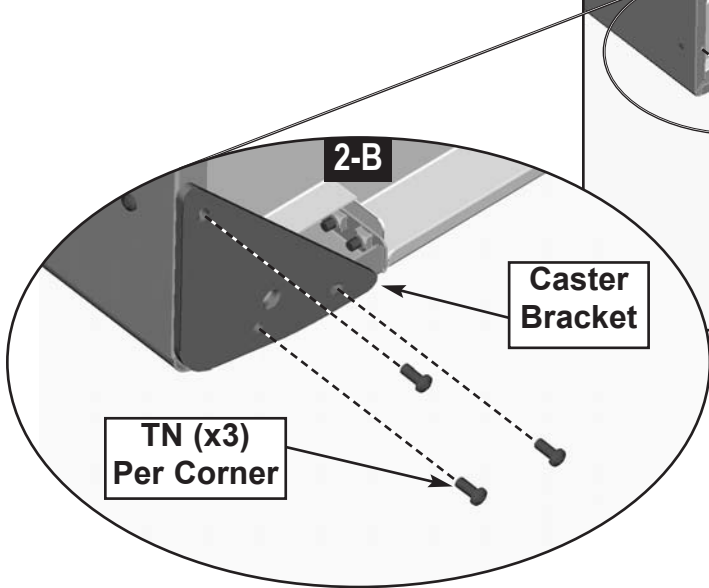
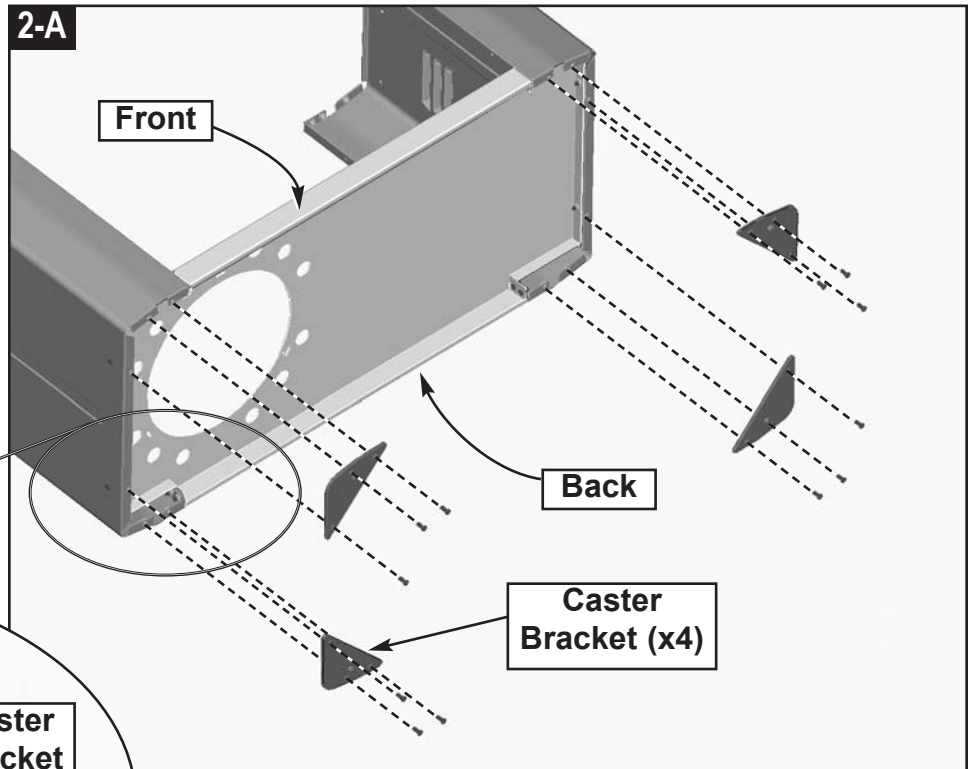
- ⇒ Assemble four Caster Brackets to the Grill Base.
- ⇒ **NOTE:** On some models, the Caster Brackets are pre-installed by the factory.
- ⇒ Assemble two Locking Casters to the front of the Grill Base.
- ⇒ Assemble two Non-Locking Casters to the rear of the Grill Base.

Hardware shown actual size

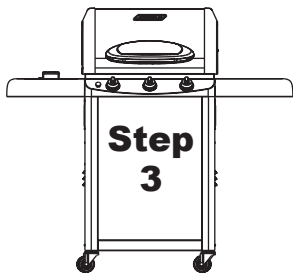
(TN)
M6 x 15mm Screw
(12) Qty.

2-A. Assemble four Caster Brackets to the Grill Base using three screws (TN) in each bracket (see Fig. 2-B).

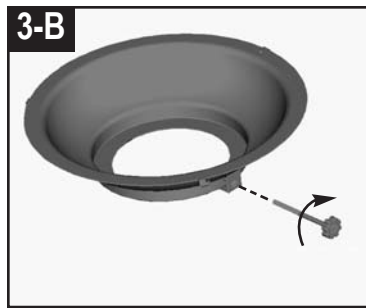
- ⇒ **NOTE:** The four Caster Brackets are identical. Rotate each Caster Bracket so three holes in each bracket align with three holes on the Grill Base.
- ⇒ Tighten all fasteners.
- ⇒ **NOTE:** On some models, the Caster Brackets are pre-installed by the factory.



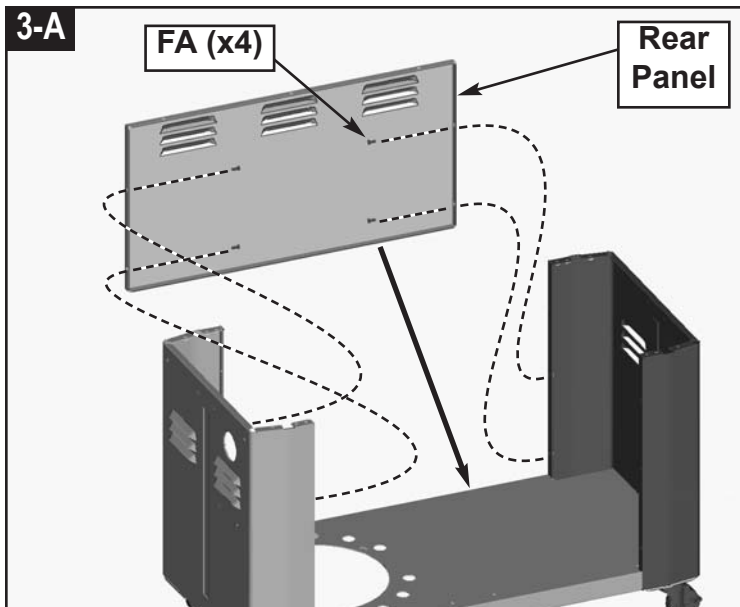
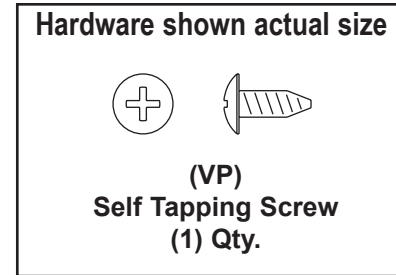
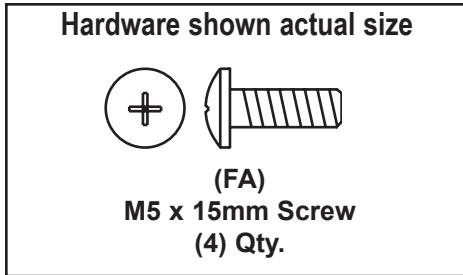
2-C. Fasten Casters tight against the Caster Brackets.



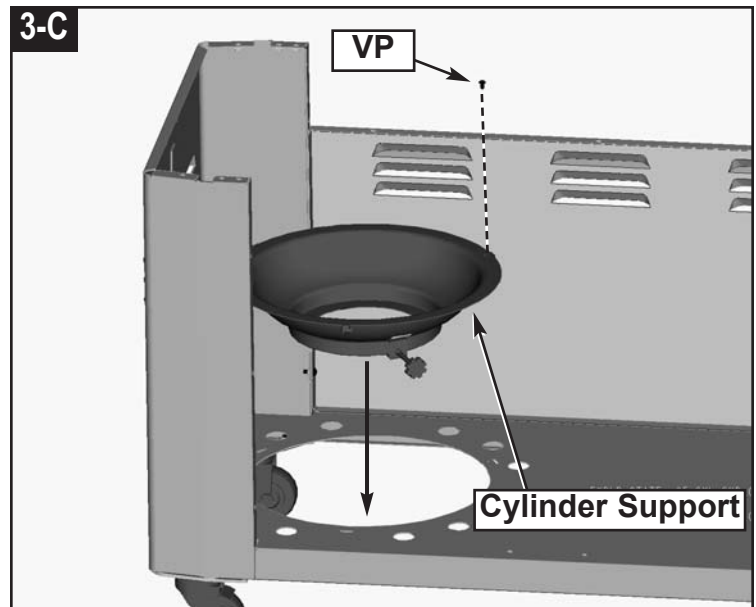
- ⇒ Carefully turn the assembly **Right-Side-Up**.
- ⇒ Assemble the Rear Panel.
- ⇒ Assemble the Cylinder Support.



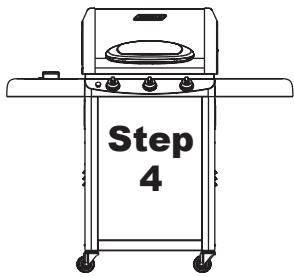
- 3-B.** Assemble the Cylinder Retaining Bolt to the Cylinder Support.
- ⇒ **NOTE:** On some models, the Cylinder Retaining Bolt is pre-installed by the factory.



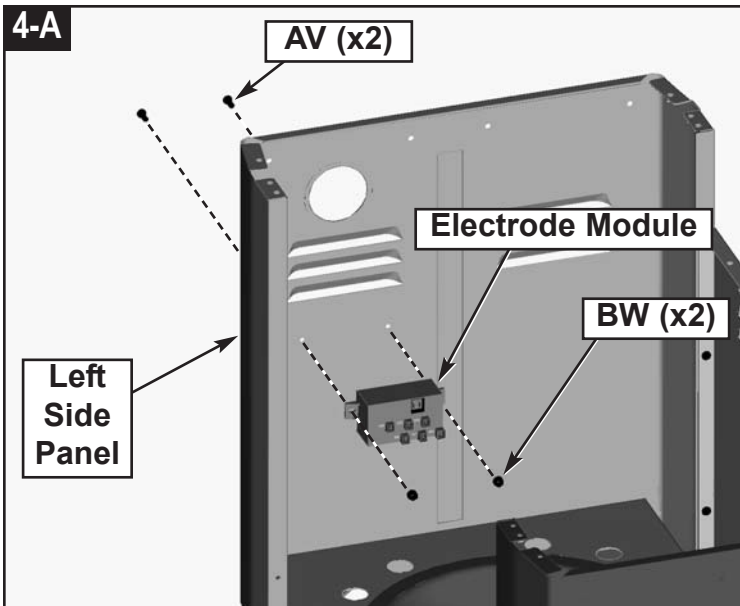
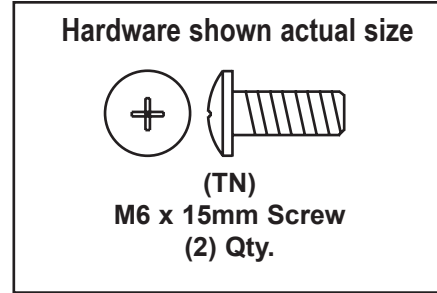
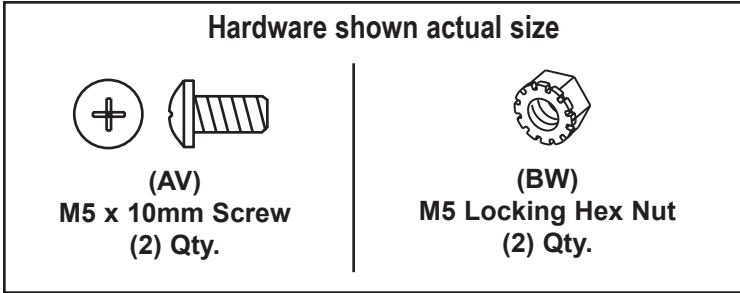
- 3-A.** Assemble the Rear Panel to the Left and Right Side Panels with four Screws (FA).



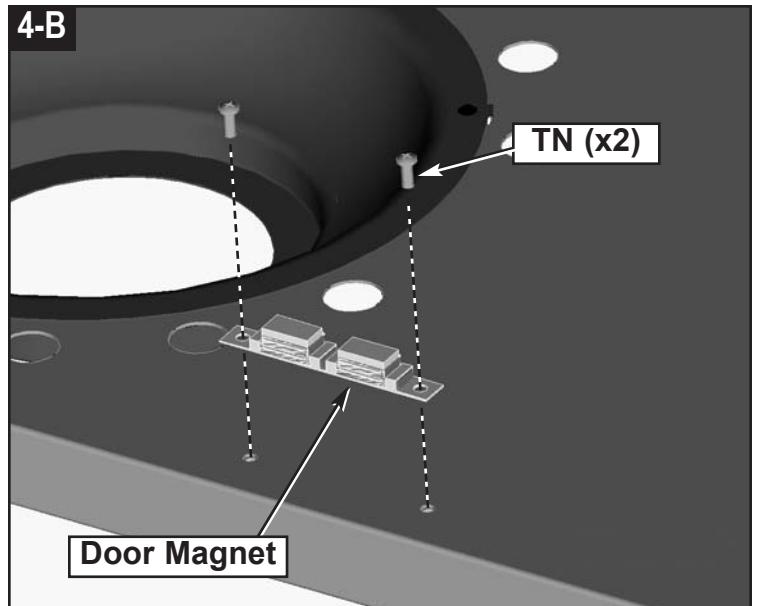
- 3-C.** Assemble the Cylinder Support to the Base by engaging the tabs in the slots. Secure the support with one screw (VP).



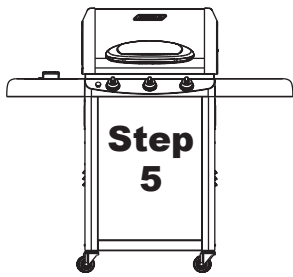
- ⇒ Attach Electrode Module.
- ⇒ Install Door Magnet.



4-A. Attach the Electrode Module to the Left Panel on the inside surface. Use two screws (AV) and two locking hex nuts (BW).

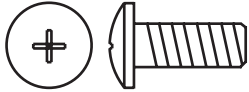


4-B. Assemble one Door Magnet to the Base with two Screws (TN).



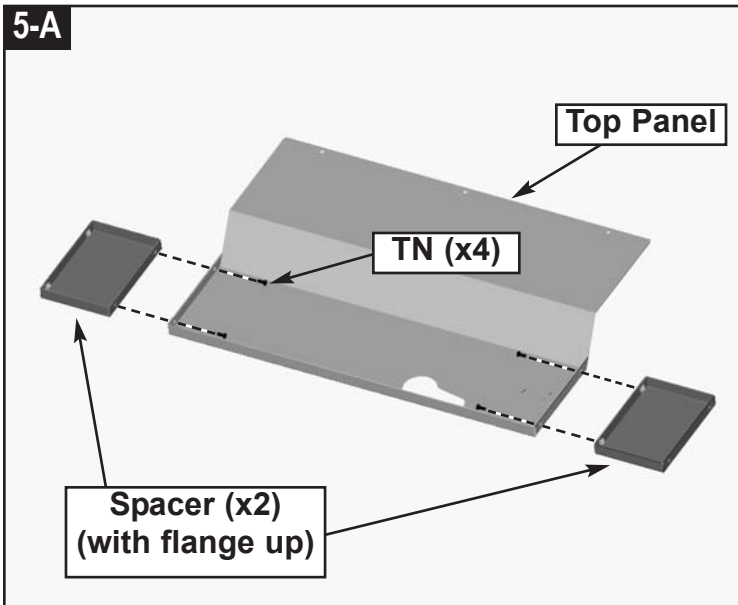
- ⇒ Assemble two Spacers to the Top Panel.
- ⇒ Assemble the Top Panel to the Grill Cart.

Hardware shown actual size



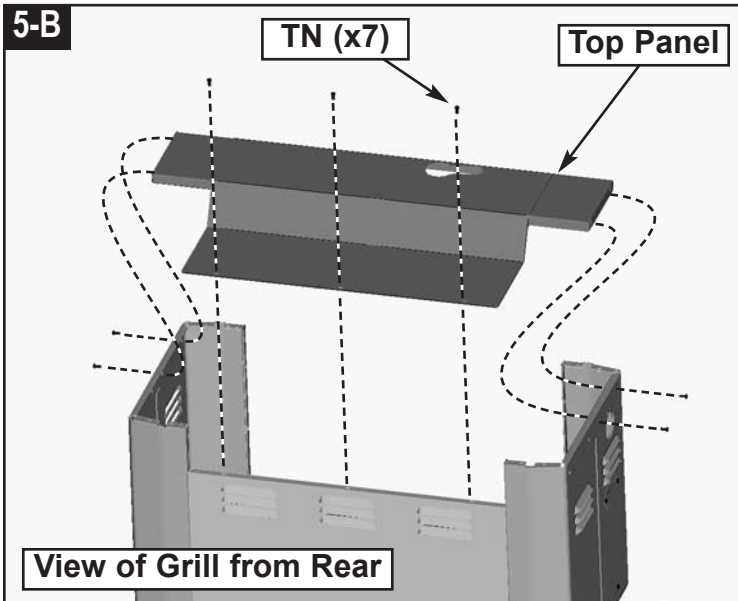
(TN)
M6 x 15mm Screw
(11) Qty.

5-A

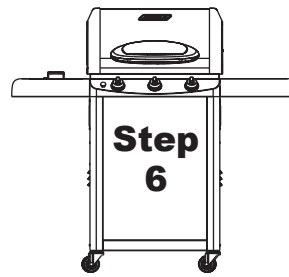


5-A. Assemble the two Spacers to the Top Panel with four Screws (TN).

5-B



5-B. Assemble the Top Panel to the Grill Cart with seven Screws (TN).



- ⇒ Assemble Firebox to the Grill Cart.
- ⇒ **NOTE:** A second person is needed when aligning the Firebox to the Grill Cart.

Hardware shown actual size

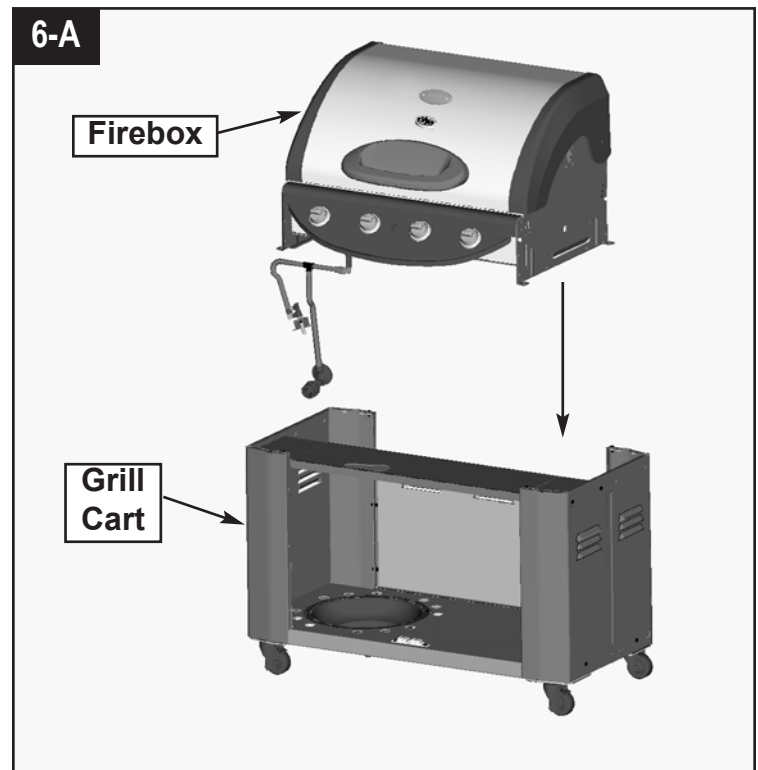


(TN)
M6 x 15mm Screw
(4) Qty.

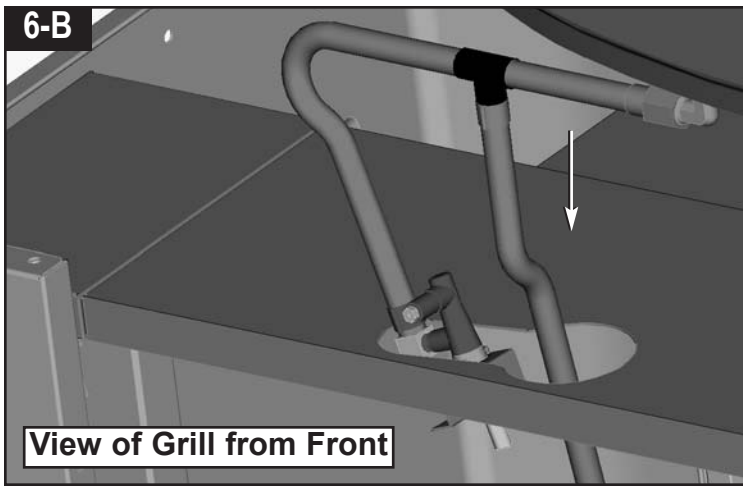


(DY)
M6 Flat Washer
(4) Qty.

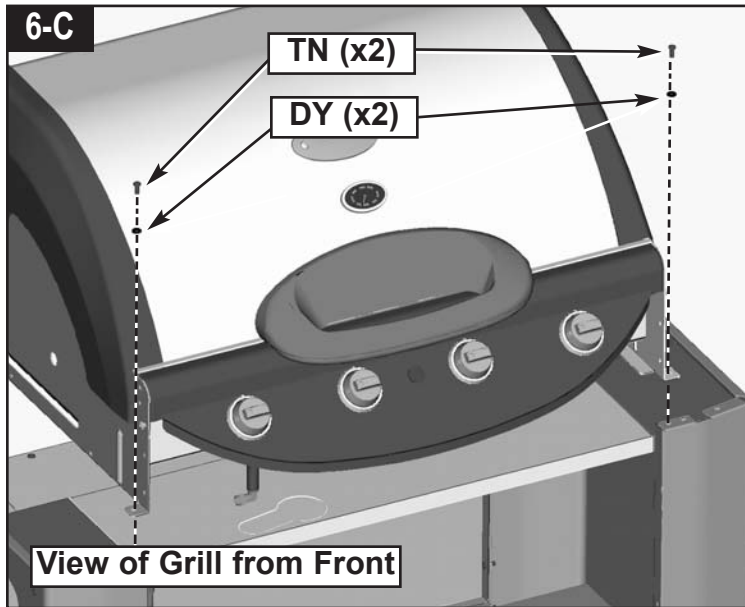
6-A



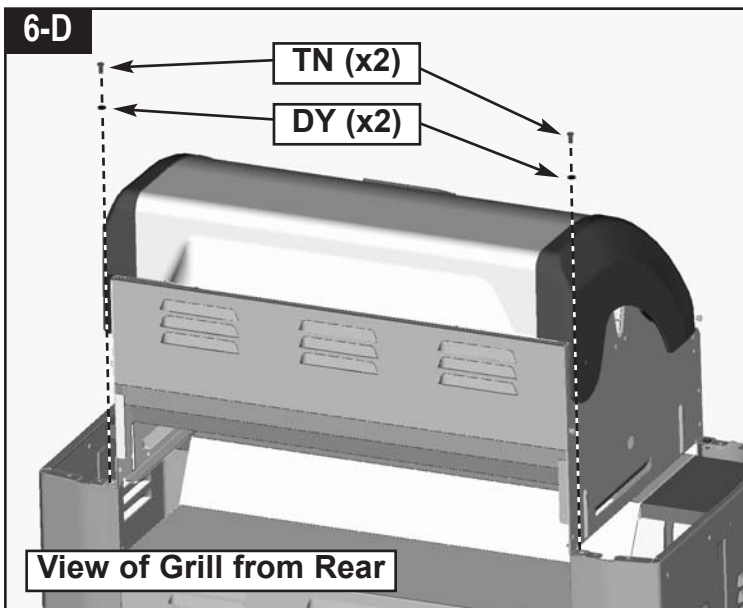
6-A. Carefully place the Firebox onto the Cart Assembly. Do not damage the fuel hoses. They must be routed through the large hole in the top panel. See **Step 6-B**.



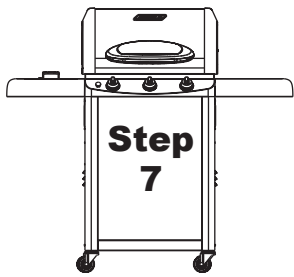
6-B. While lowering the Firebox, route the fuel hoses through the large hole in the top panel.



6-C. Fasten the front side of the Firebox to the Grill Cart with two Flat Washers (DY) and two Screws (TN).

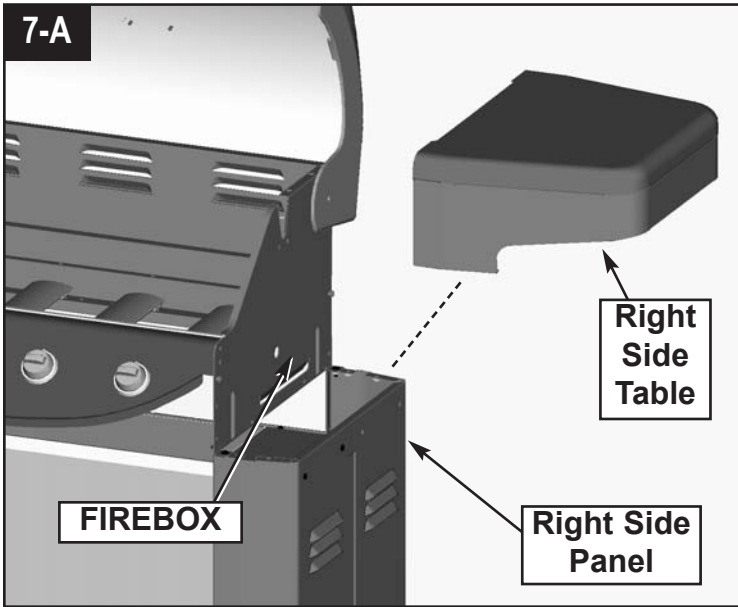


6-D. Fasten the back side of the Firebox to the Grill Cart with two Flat Washers (DY) and two Screws (TN).

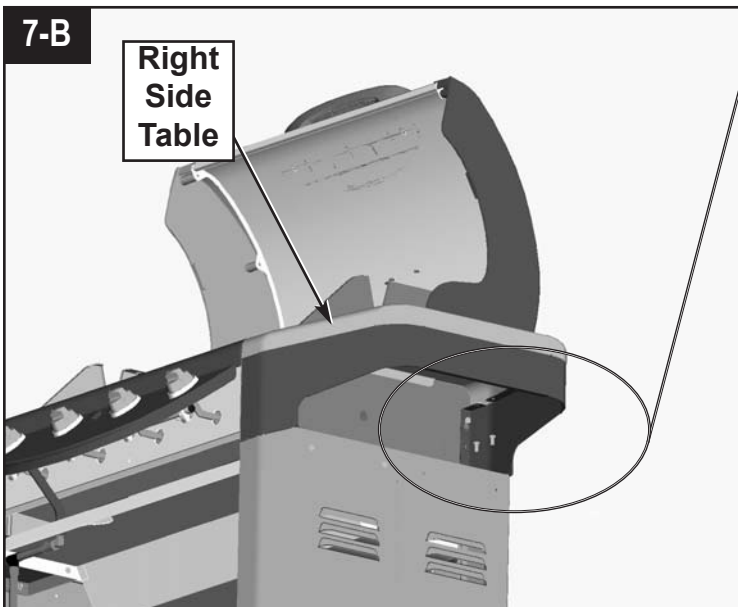
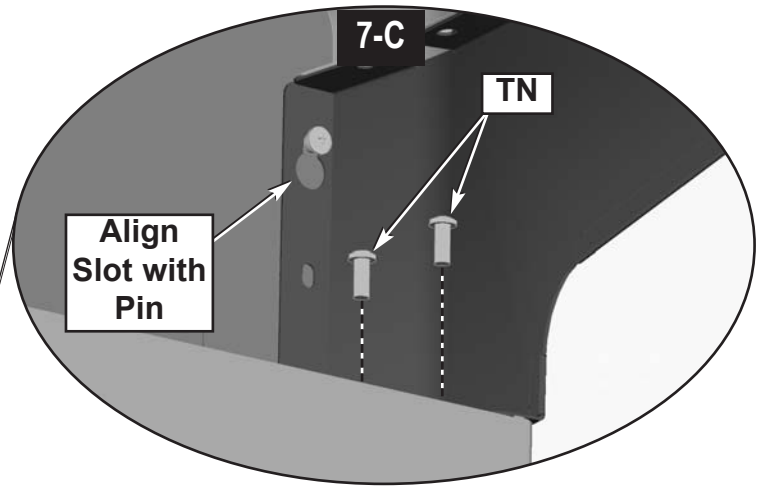


- ⇒ **NOTE:** The Grill Lid should be opened for Steps 7 and 8.
- ⇒ Assemble Right Side Table to the Grill.

Hardware shown actual size		
(TN) M6 x 15mm Screw (5) Qty.	(DY) M6 Flat Washer (1) Qty.	(UO) M6 Locking Hex Nut (1) Qty.

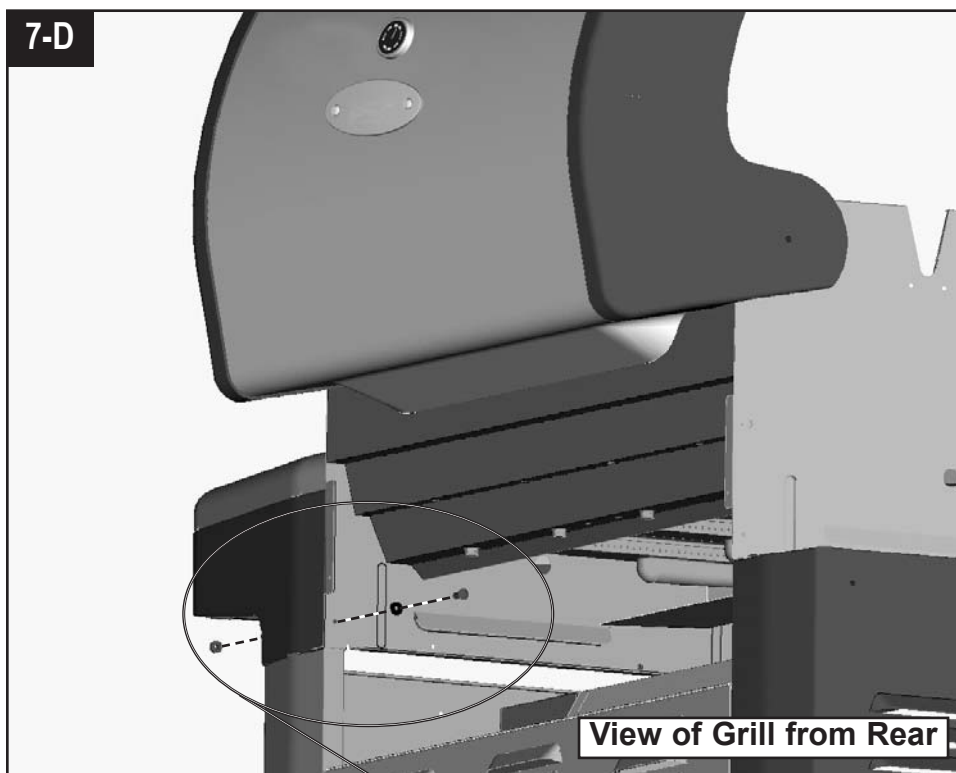


- 7-A.** Raise the Grill Lid.
- ⇒ Place the Right Side Table against the Firebox and on top of the Right Side Panel.



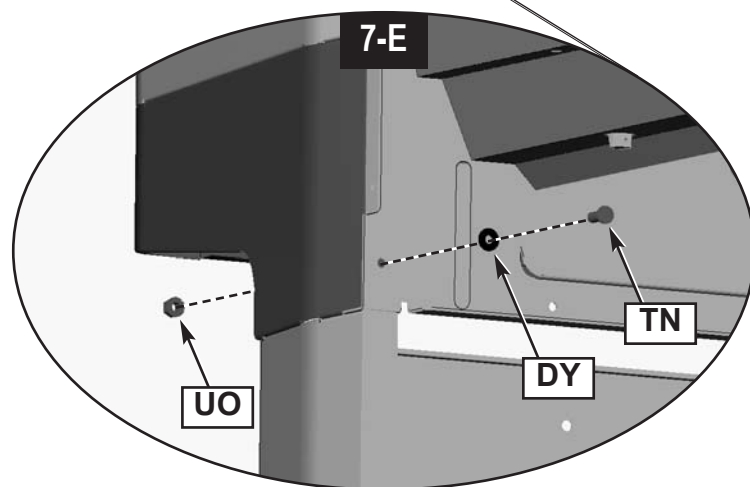
- 7-B.** Align two Keyhole Slots in the Right Side Table over two pins on the side of the Firebox (see Fig. 7-C).
- ⇒ Assemble two screws (TN) through the back flange of the Right Side Table into the back flange of the Right Side Panel (see Fig. 7-C).
 - ⇒ Assemble two screws (TN) through the front flange of the Right Side Table into the front flange of the Right Side Panel (not illustrated).

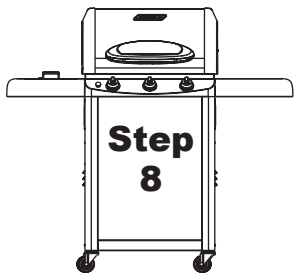
7-D



7-D. Assemble one Screw (TN), one Flat Washer (DY) and one Locking Hex Nut (UO) through the Firebox into the Right Side Table.

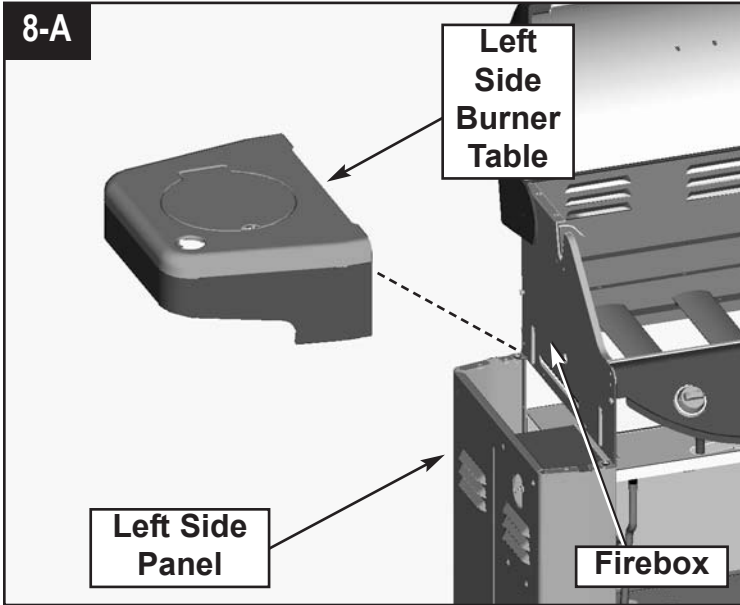
⇒ Tighten all fasteners.



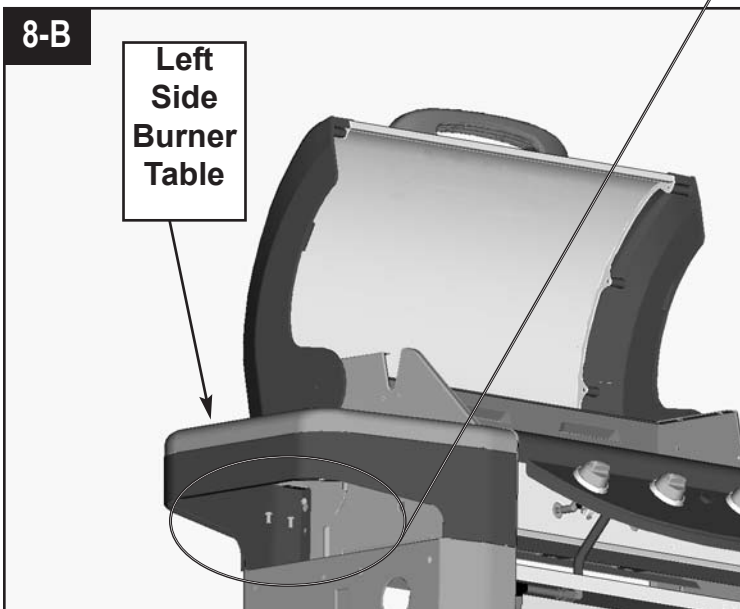


⇒ Assemble Left Side Burner to the Grill.

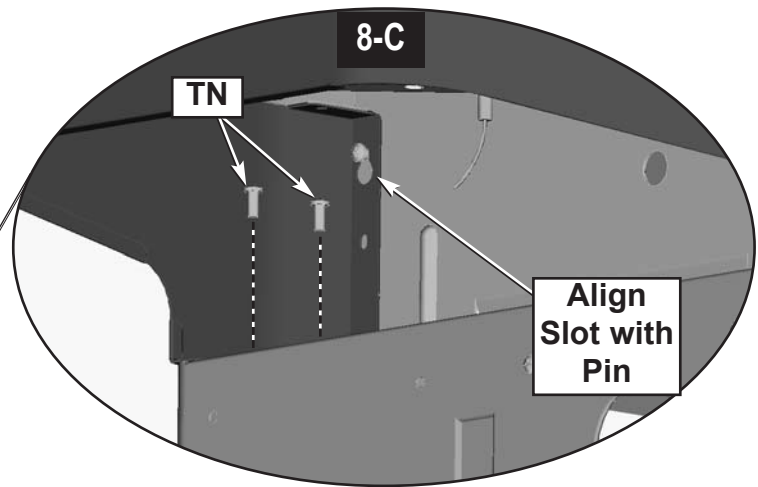
Hardware shown actual size		
(TN) M6 x 15mm Screw (5) Qty.	(DY) M6 Flat Washer (1) Qty.	(UO) M6 Locking Hex Nut (1) Qty.



8-A. Place the Left Side Burner Table against the Firebox and on top of the Left Side Panel.

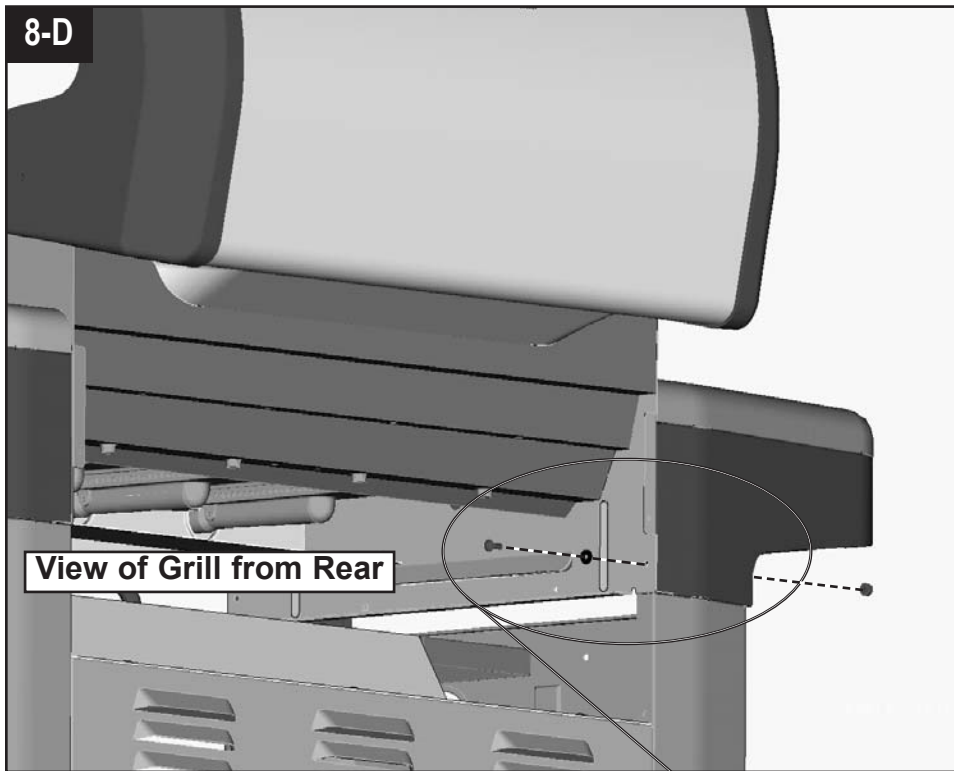


8-B. Align two Keyhole Slots in the Left Side Burner Table over two pins on the side of the Firebox (see Fig. 8-C).



- ⇒ Assemble two screws (TN) through the back flange of the Left Side Burner Table into the back flange of the Left Side Panel (see Fig. 8-C).
- ⇒ Assemble two screws (TN) through the front flange of the Left Side Burner Table into the front flange of the Left Side Panel (not illustrated).

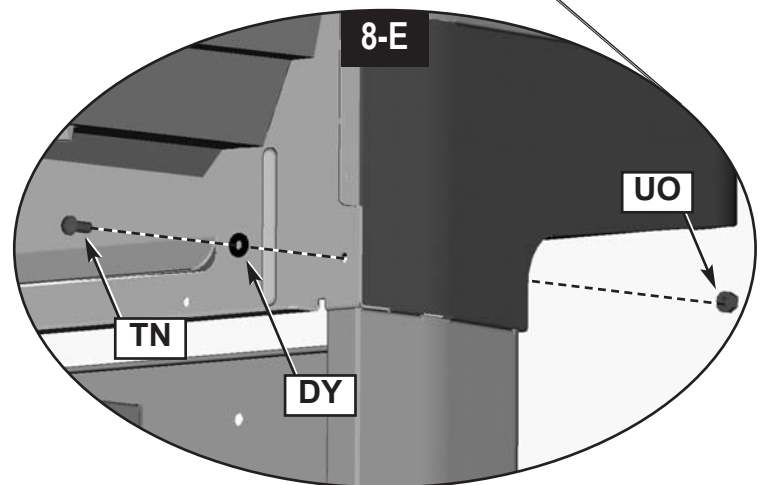
8-D



View of Grill from Rear

8-D. Assemble one Screw (TN), one Flat Washer (DY) and one Locking Hex Nut (UO) through the Firebox into the Left Side Burner Table.

⇒ Tighten all fasteners.

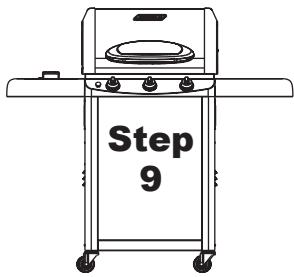


8-E

UO

TN

DY

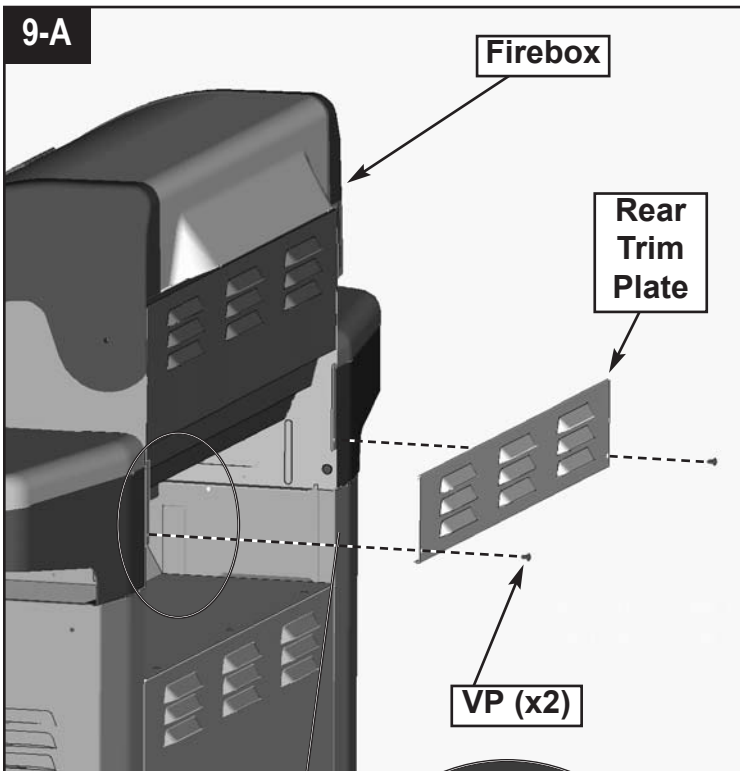


- ⇒ Fasten the Rear Trim Plate to the Grill Cart.
- ⇒ **NOTE:** On some models, the Rear Trim Plate is pre-installed by the factory.

Hardware shown actual size

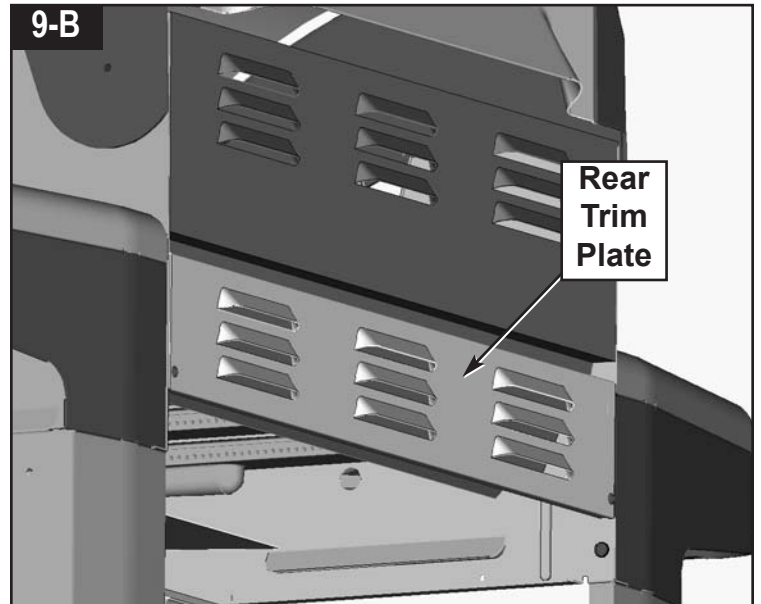
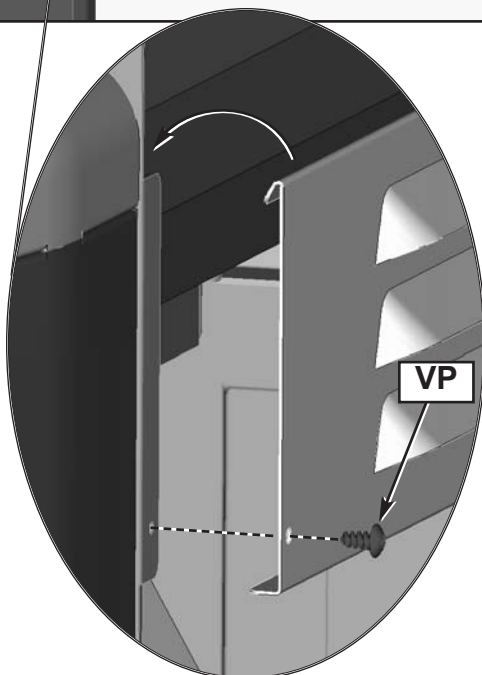


(VP)
Self Tapping Screw
(2) Qty.

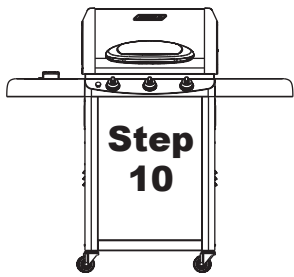


9-A. Fasten the Rear Trim Plate to the Firebox with two Screws (VP).

- ⇒ Tighten all fasteners.



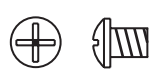


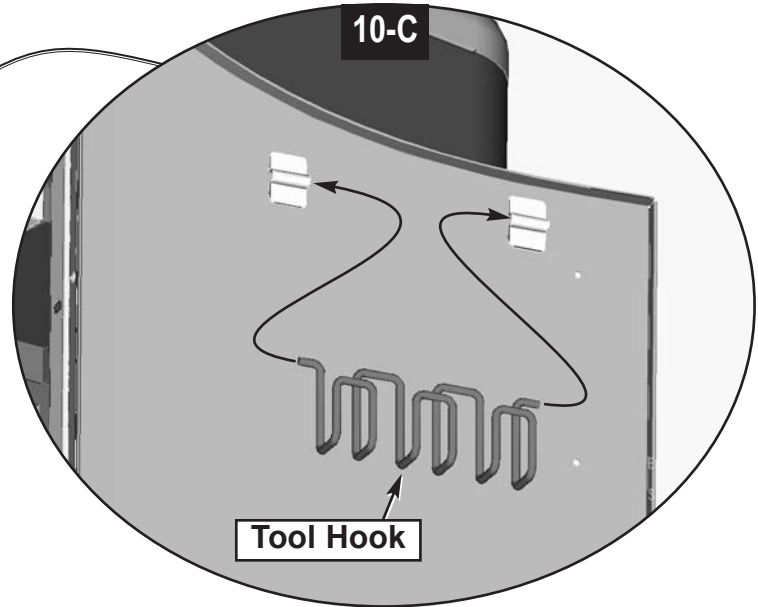
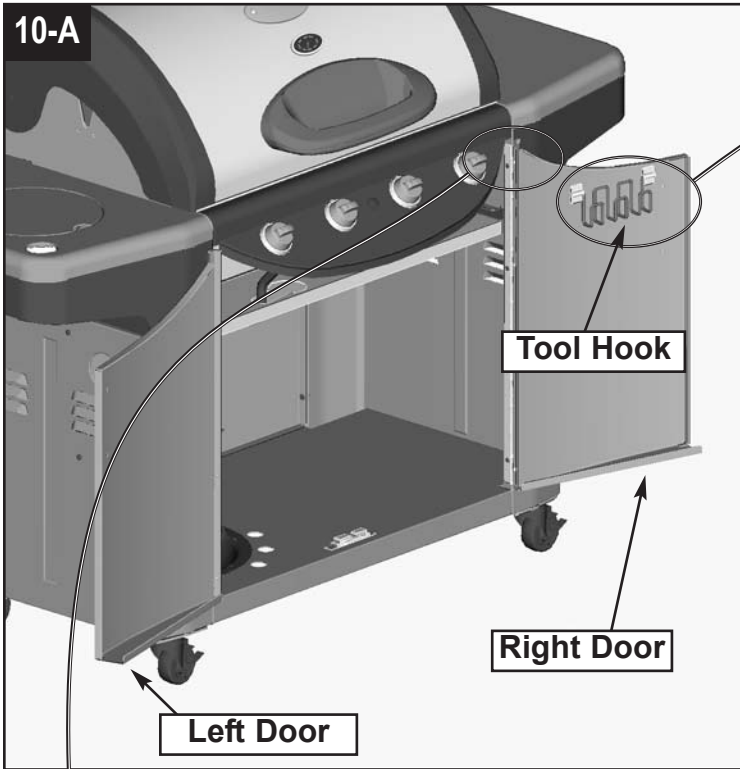
9-B. View showing Rear Trim Plate properly installed.



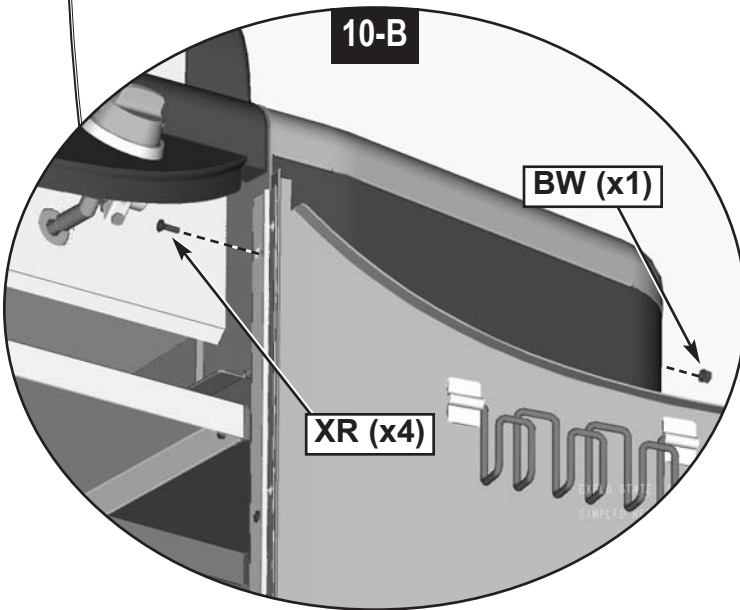
- ⇒ Fasten both Left and Right Doors to the Grill Cart.
- ⇒ Attach the Tool Hook to the Right Door.
- ⇒ Fasten the Door Handles to the Doors.
- ⇒ **NOTE:** M4 x 5mm Screws (EZ) are factory installed into the Handles.

Hardware shown actual size

		
(XR) M5 x 15mm Flat Head Screw (8) Qty.	(BW) M5 Hex Nut (2) Qty.	(EZ) M4 X 5mm Screw (4) Qty.

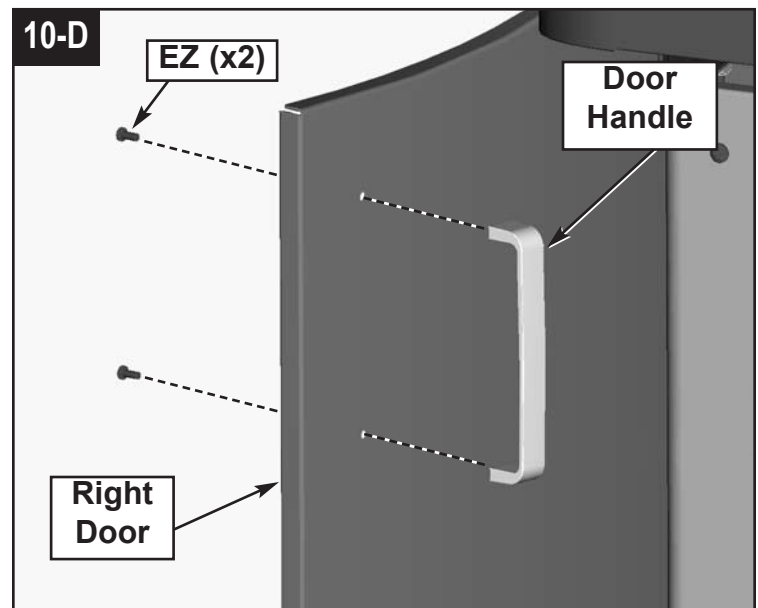


10-C. Squeeze the Tool Hook to slip into the mounting brackets.



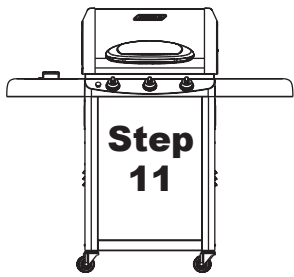
10-B. Fasten the Right Door to the Grill Cart with four Flat Head Screws (XR). Use one Locking Hex Nut (BW) on the top location only.

- ⇒ Repeat **Step 10-B** to attach the Left Door.
- ⇒ Tighten all fasteners.

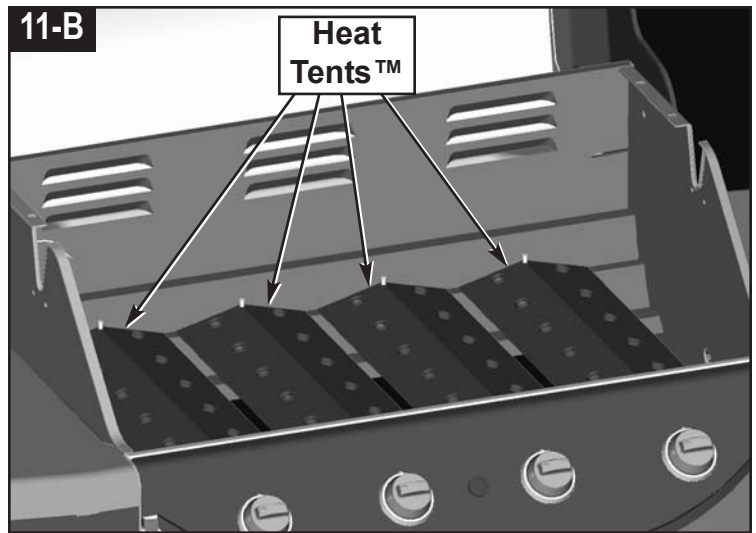
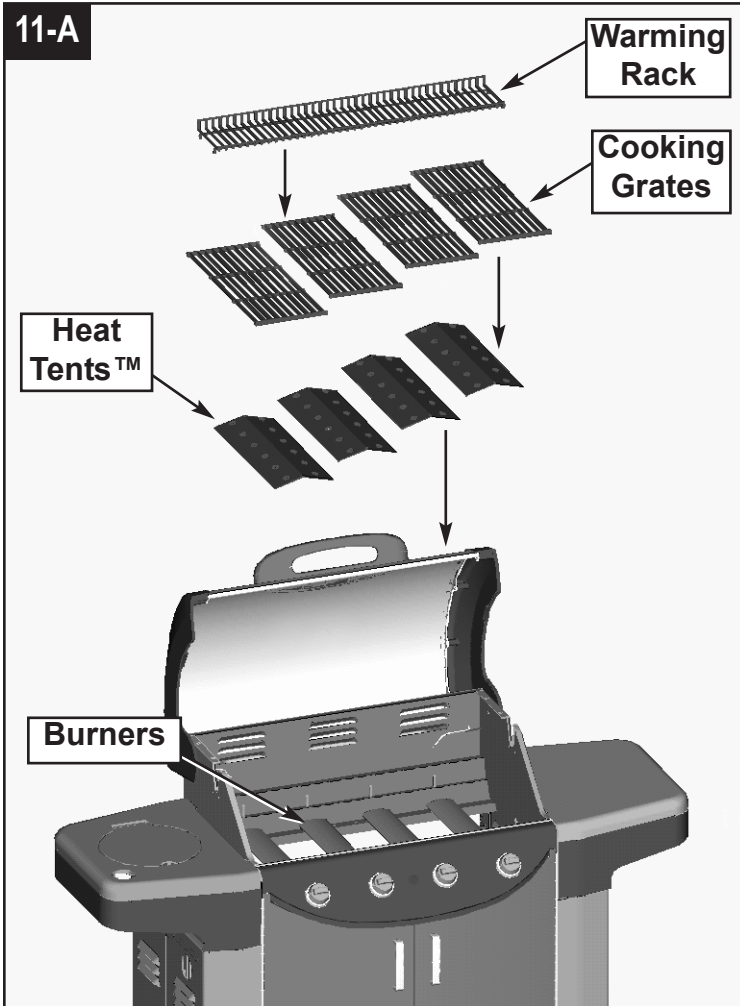


10-D. Fasten one Door Handle to the Right Door with two Screws (EZ). Repeat Step 10-D to assemble one Door Handle to the Left Door.

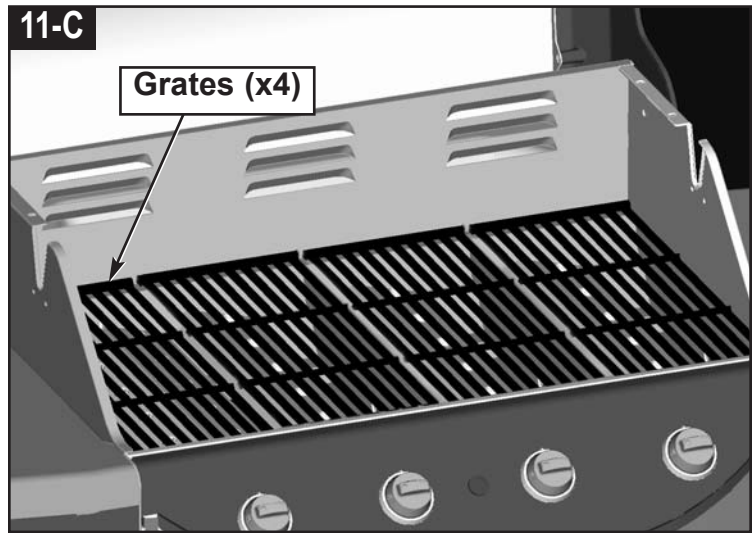
- ⇒ Tighten all fasteners.



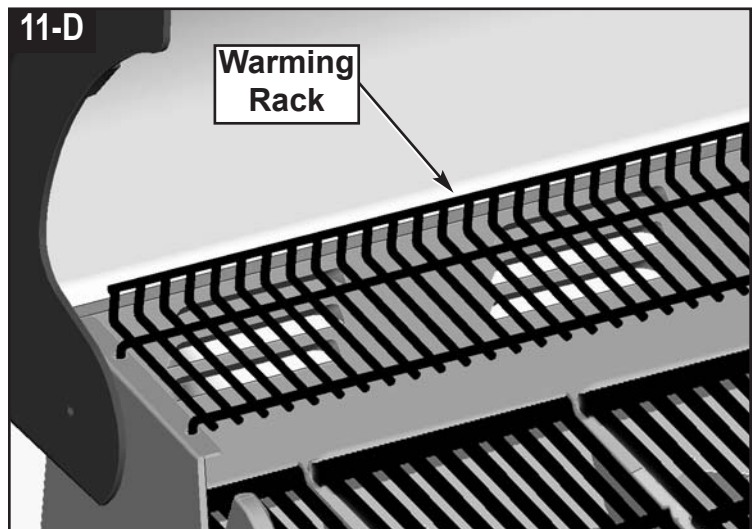
- ⇒ Install four Heat Tents™.
- ⇒ Install four Cooking Grates.
- ⇒ Install the Warming Rack.



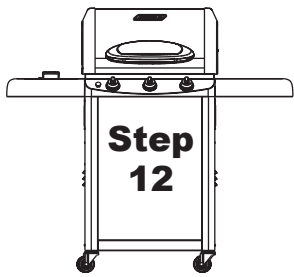
11-B. Install four Heat Tents™ over the Burners.
 ⇒ The Heat Tents™ are located using the alignment pins.



11-C. Install four Cooking Grates, flat side downward.



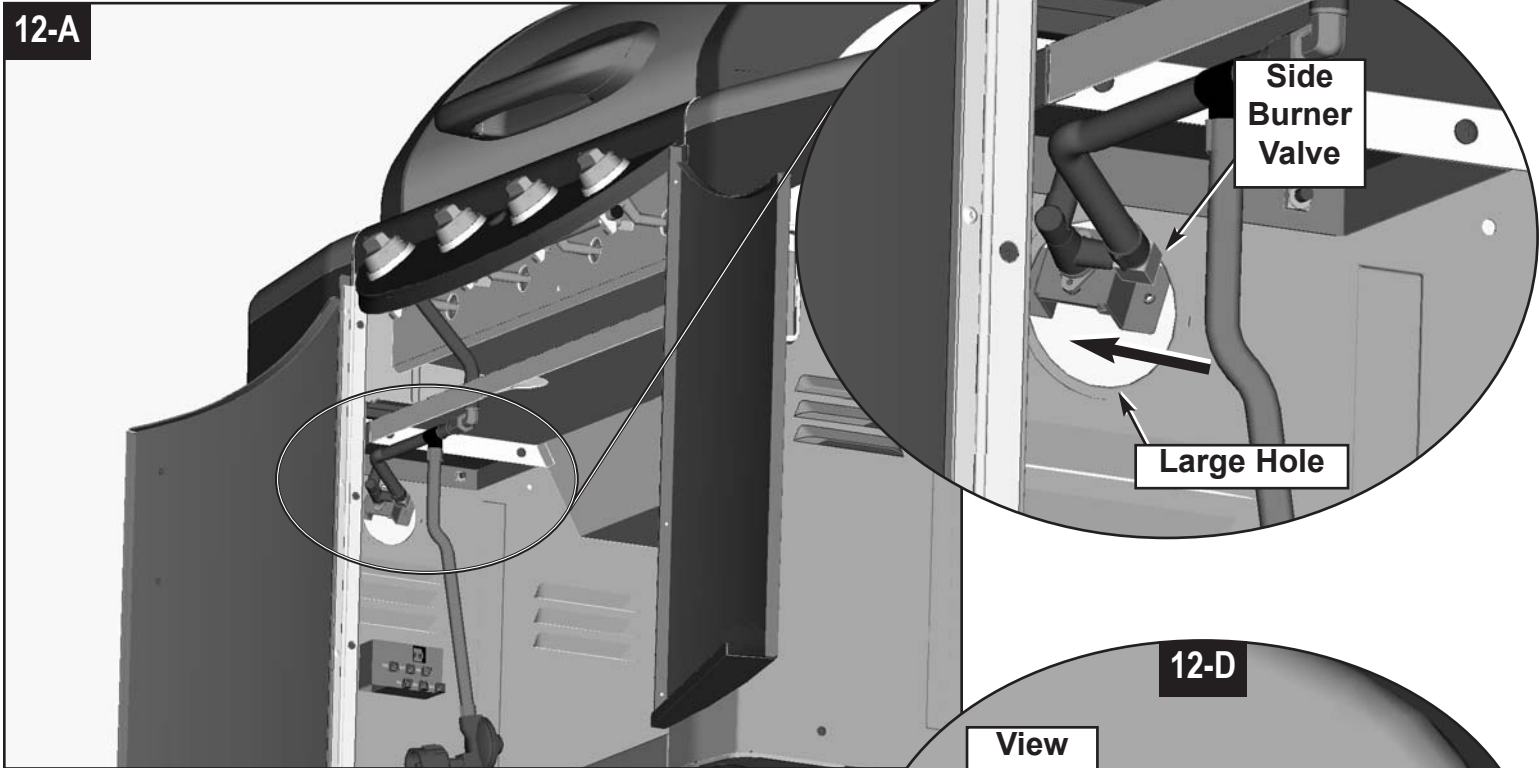
11-D. Place the Warming Rack in the back of the Firebox.
 ⇒ Align four posts downward into four holes.



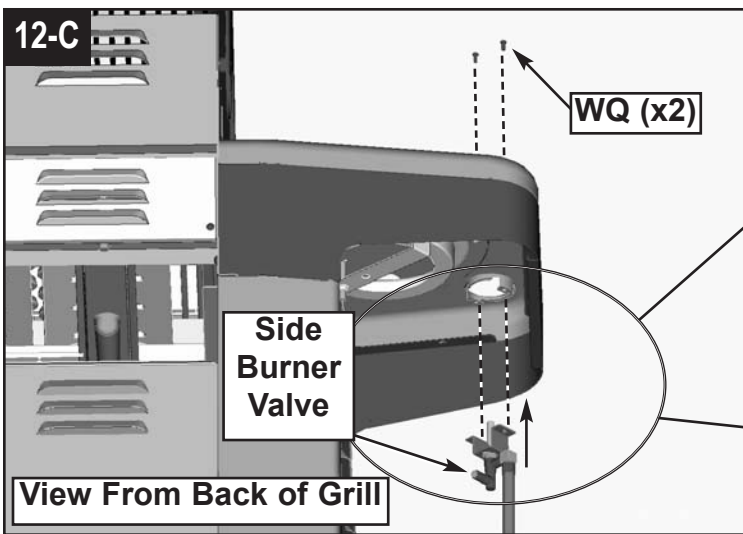
- ⇒ Install the Side Burner Valve.
- ⇒ **NOTE:** On some models, the M4 x 10mm Screws (WQ) are pre-installed on the bracket by the factory.

Hardware shown actual size

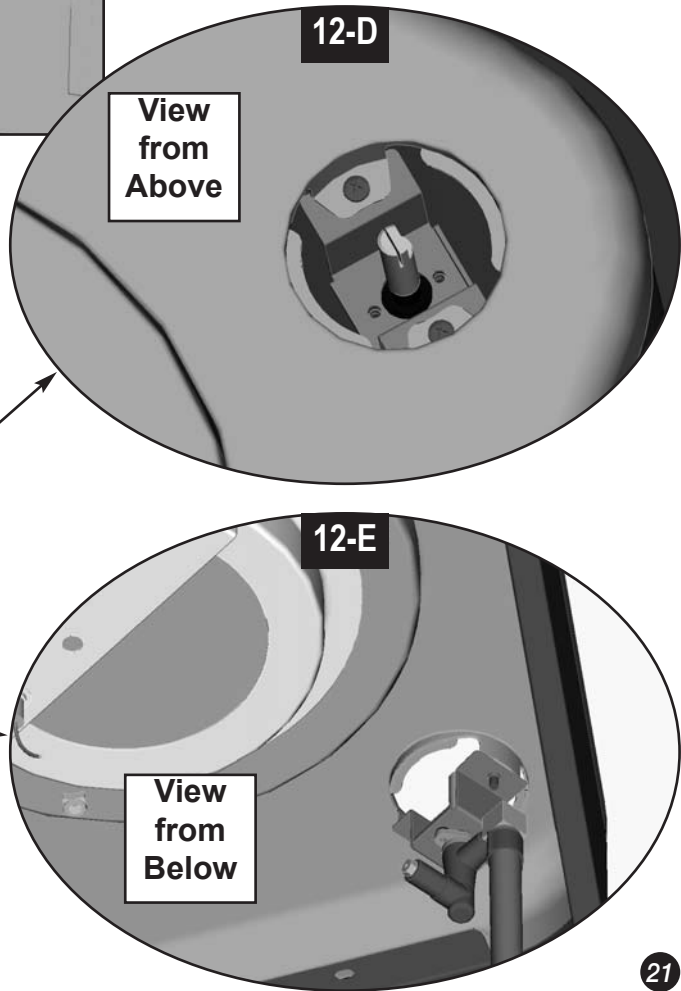
(WQ)
M4 X 10mm Screw
(2) Qty.

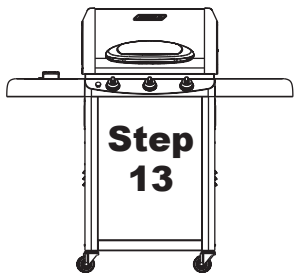


12-A. Route the Side Burner Valve through the Large Hole in the Left Panel.



12-C. Attach the Side Burner Valve with two Screws (WQ).





- ⇒ Assemble the Side Burner to the Left Side Table.
- ⇒ Assemble the Electrode to the Side Burner.
- ⇒ **NOTE:** On some models, the Electrode is pre-installed by the factory.

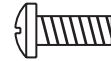
Hardware shown actual size



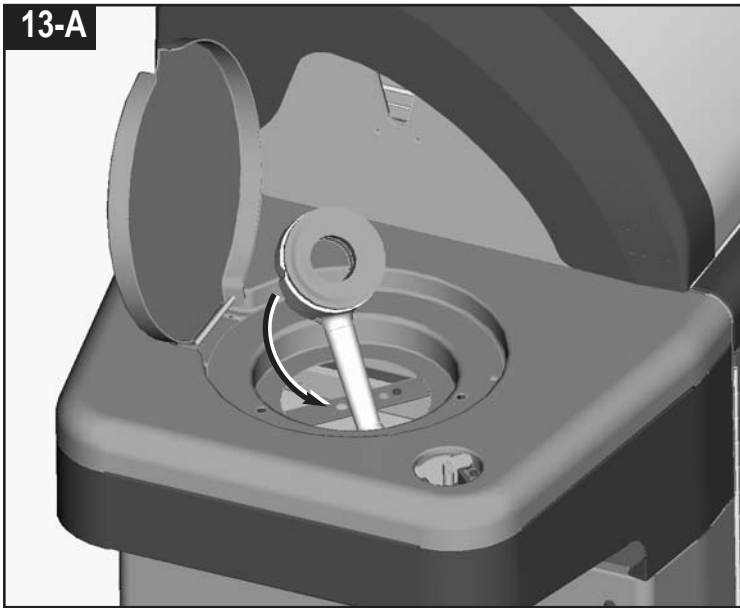
(ZT)
Hair Pin
(1) Qty.
(Attached to Burner)



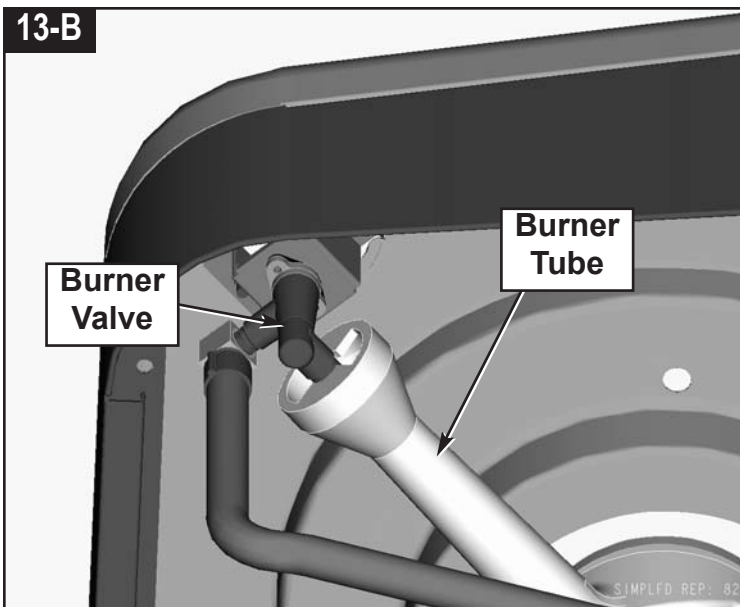
(WQ)
M4 X 10mm Screw
(1) Qty.



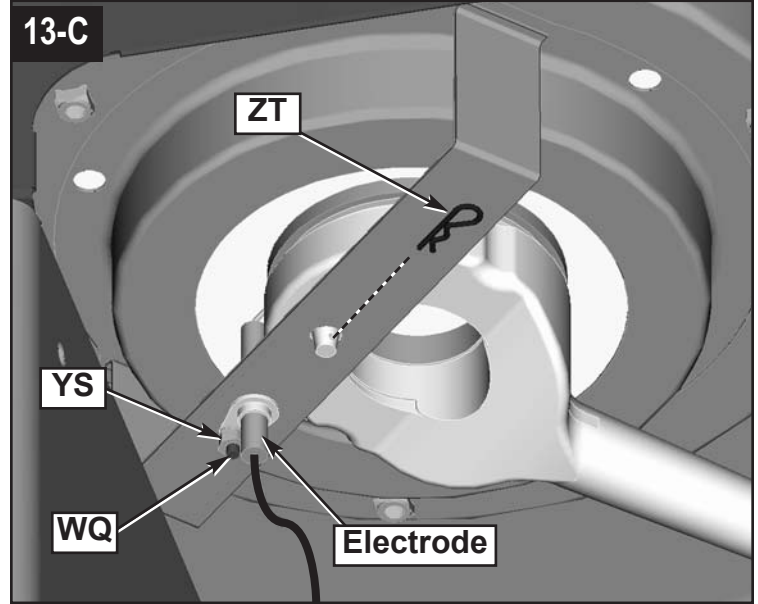
(YS)
M4 Hex Nut
(1) Qty.



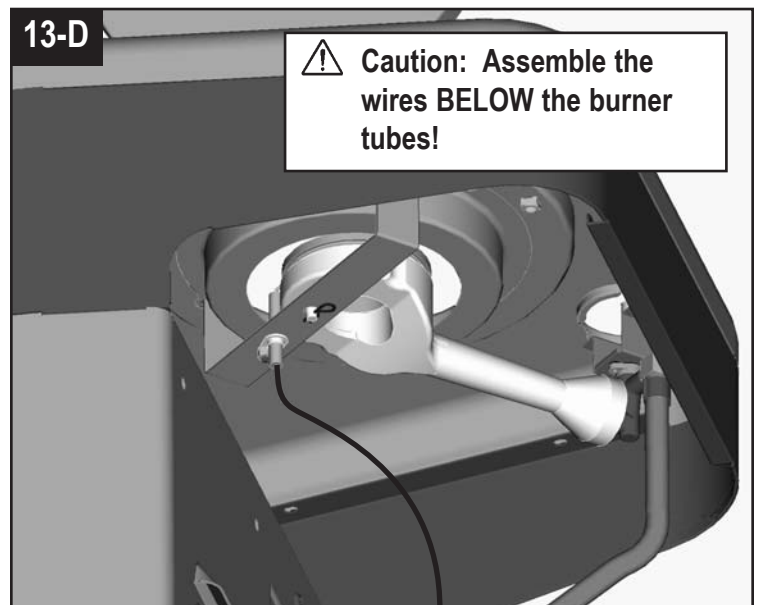
13-A. Slip the Burner Tube through the Left Side Table.



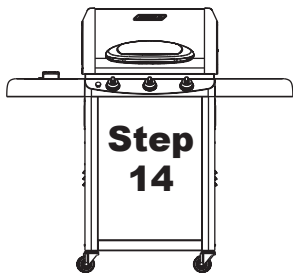
13-B. Align Burner Tube with Burner Valve.
⇒ **NOTE:** Make sure Burner Valve is inserted into Burner Tube.



13-C. Lock the Side Burner in place with one hairpin (ZT).
⇒ Install electrode as shown with one screw (WQ) and one hex nut (YS).
⇒ **NOTE:** On some models, the Electrode is pre-installed by the factory.

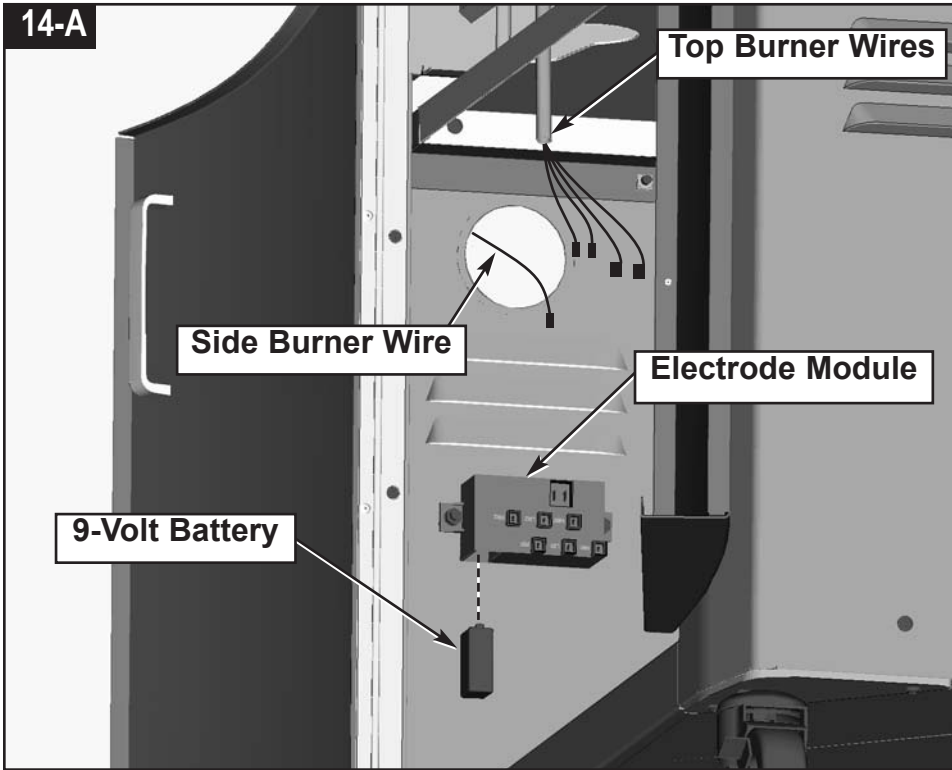


13-D. View showing Side Burner properly installed.



⇒ Assemble the Electrode Wires and the Battery to the Electrode Module.

Note: The fuel hoses are not shown in this step, for simplicity.



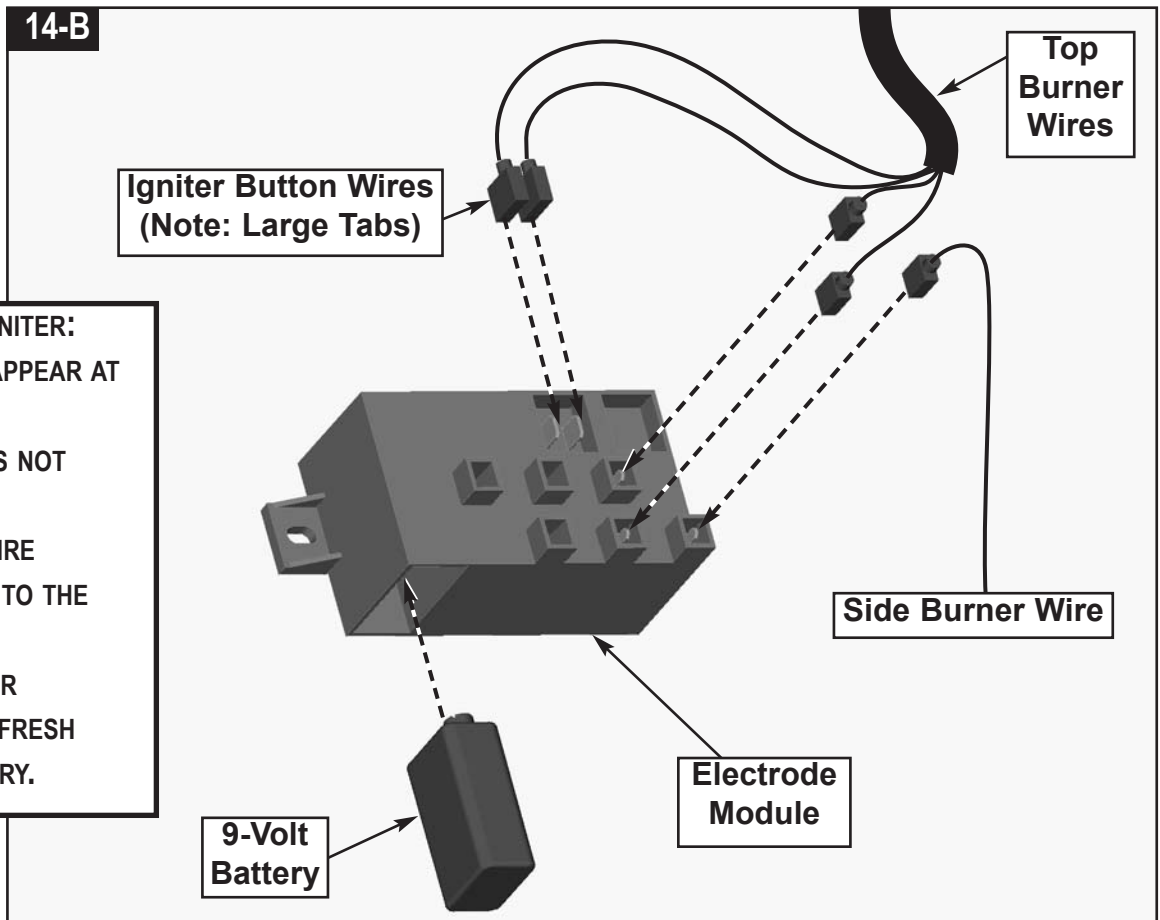
14-A. Slip the Top Burner Wires through the large hole in the Top Panel.

⇒ Slip the Side Burner Wire through the large hole in the Left Panel.

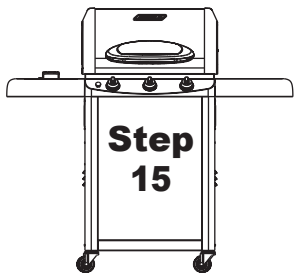
⇒ Firmly push the Electrode Wires into the Electrode Module.

⇒ Assemble the 9-Volt Battery to the Electrode Module.

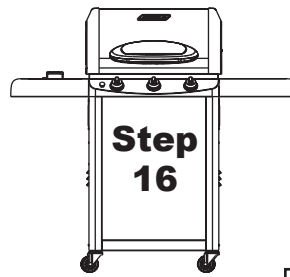
Note: The polarity is marked on the Electrode Module.



TEST THE IGNITER:
 A SPARK SHOULD APPEAR AT ELECTRODE TIP.
 IF THE SPARK DOES NOT APPEAR:
 -CHECK THE WIRE CONNECTIONS TO THE MODULE.
 -CHECK PROPER ASSEMBLY OF FRESH 9-VOLT BATTERY.



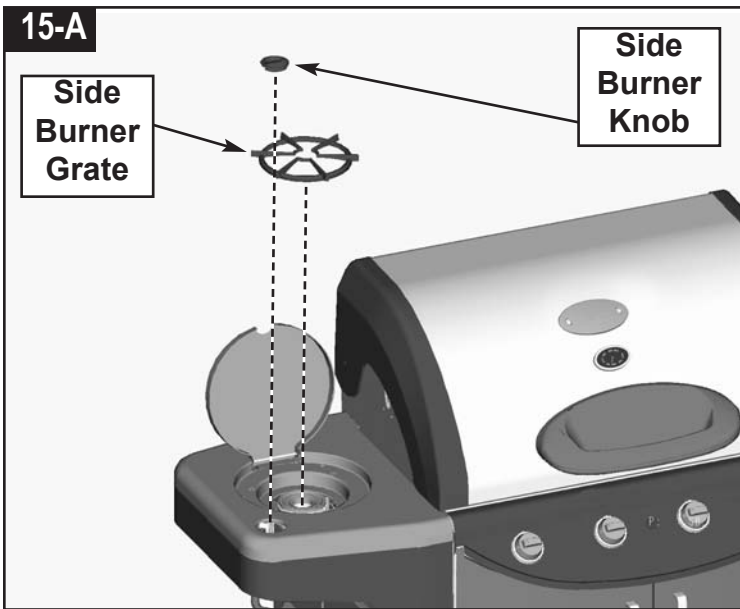
⇒ Install Side Burner Knob and Side Burner Grate onto the Left Side Burner.



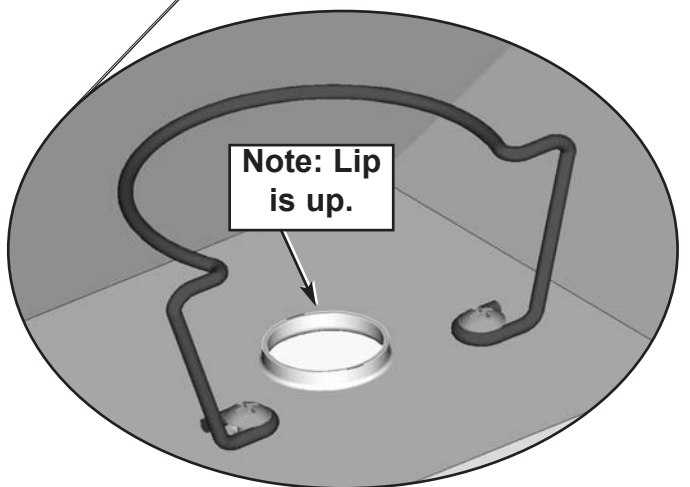
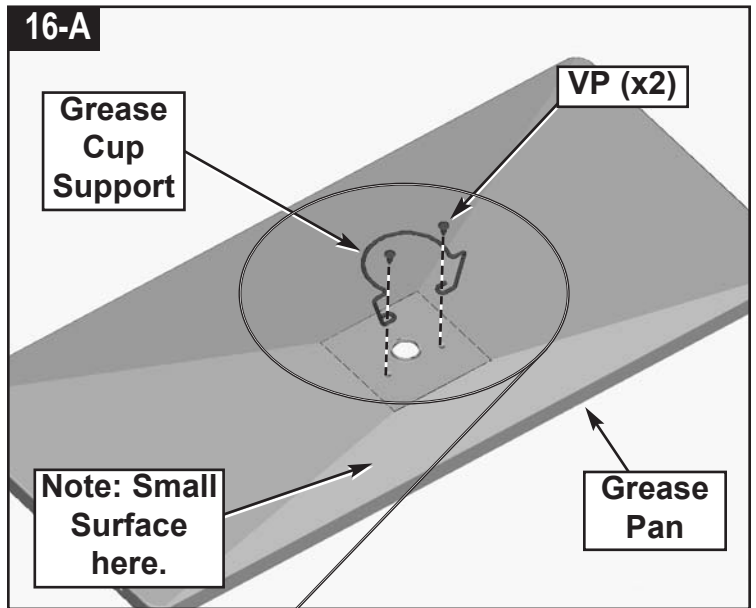
⇒ Assemble the Grease Cup Support to the Grease Pan.
Note: The Grease Pan is shown up-side-down during this step.

Hardware shown actual size

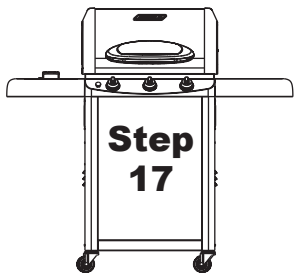
(VP)
Self Tapping Screw
 (2) Qty.



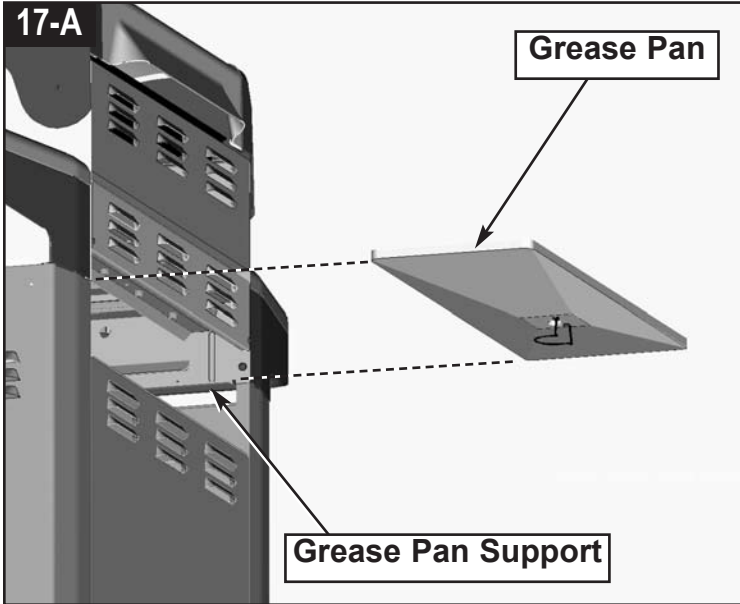
15-A. Place the Side Burner Knob on the valve stem.
 ⇒ Place the Side Burner Grate on the Left Side Burner. Align the pins downward into the alignment holes.



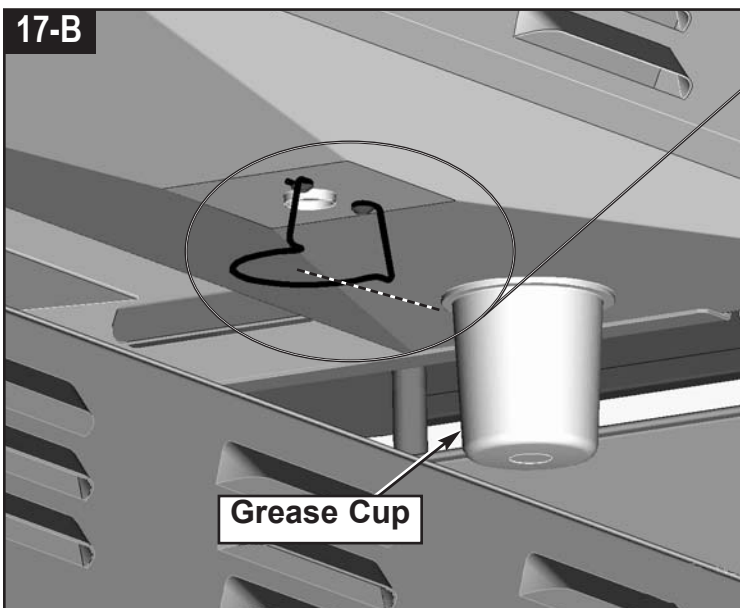
16-A. Attach the Grease Cup Support to the Grease Pan with two self-tapping screws (VP).



- ⇒ Install the Grease Pan.
- ⇒ Install the Grease Cup.

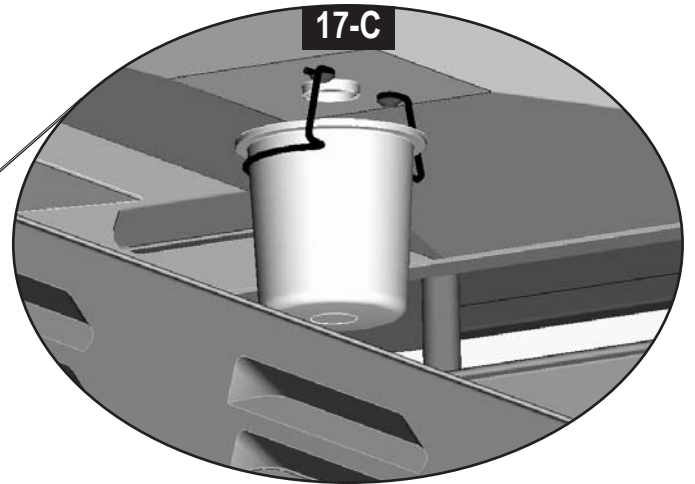


17-A. Slide the Grease Pan Assembly into the back of the grill.

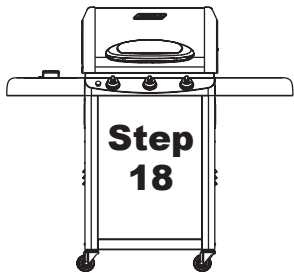


17-B. Place the Grease Cup into the Grease Cup Support.
Note: Pull the Grease Pan outward slightly for easier access when installing/removing the Grease Cup.

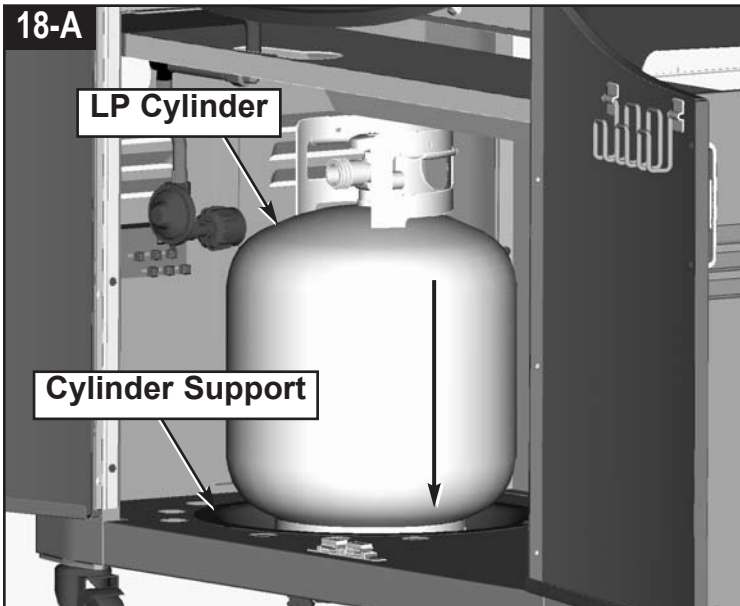
- ⇒ After the Grease Cup is installed, push the Grease Pan forward until it contacts the location stops.



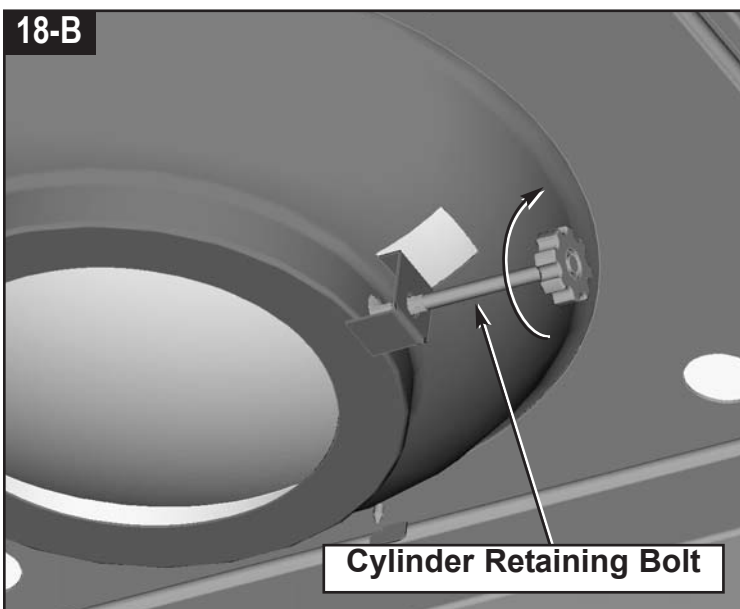
NOTE: Step 18 applies to you only if your grill is set up from the factory to use LP GAS. If your grill is set up from the factory to use NATURAL GAS, skip to Step 19.



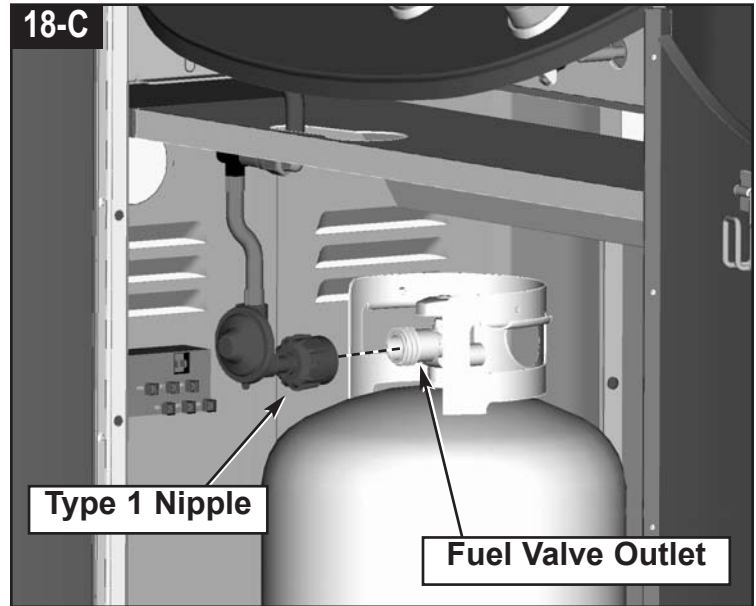
⇒ Attach an LP Cylinder to the Grill.



18-A. Set LP Cylinder in the Cylinder Support with the outlet valve facing toward the front of the grill.



18-B. Tighten the Cylinder Retaining Bolt against the bottom cylinder collar.



18-C. Insert the TYPE 1 Nipple of the regulator into the cylinder's Fuel Valve Outlet as shown. Turn the regulator hand wheel clockwise to tighten. No tools are needed. The hand wheel will come to a complete stop when the connection is secure, and gas will not flow until a positive seal is achieved.

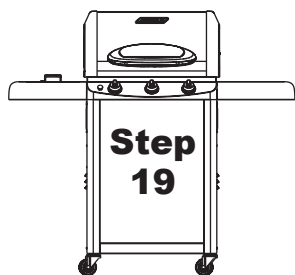
IMPORTANT!

TO ENSURE PROPER GAS FLOW, BURNER CONTROL VALVES MUST BE "OFF" BEFORE OPENING THE GAS CYLINDER VALVE.



WARNING: During assembly of grill and when attaching or replacing the L.P. gas cylinder, insure that the gas supply hose is free of kinks and/or damage and is at least 3" away from hot surfaces such as the grill casting.

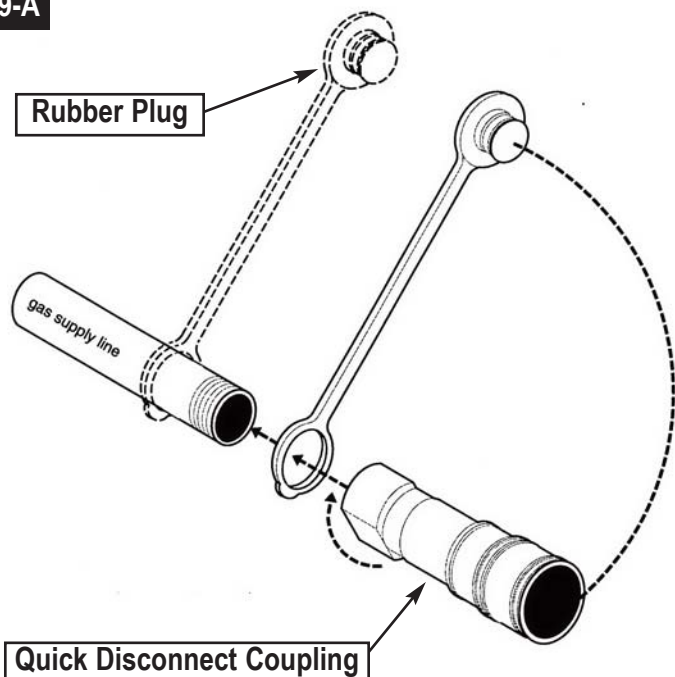
⇒ **NOTE:** Step 19 applies to you only if your grill is set up from the factory to use NATURAL GAS. If your grill is set up from the factory to use LP GAS, skip back to Step 18.



⇒ Attach a NATURAL GAS line to the grill.

YOUR NATURAL GAS COMPANY MUST INSTALL AND CONNECT THE GAS SUPPLY LINE TO THE GRILL.

19-A



PLACE THE RUBBER PLUG ONTO THE GAS SUPPLY LINE. THEN ATTACH THE SOCKET END OF THE QUICK DISCONNECT COUPLING ONTO THE GAS SUPPLY LINE. TIGHTEN WITH A WRENCH. LEAK TEST AT THE FUEL SOURCE CONNECTION WITH SOAP AND WATER. THE RUBBER PLUG IS USED TO PROTECT THE CONNECTOR WHEN THE HOSE CONNECTOR IS NOT INSERTED. POSITION THE RUBBER CAP ONTO THE HOSE CONNECTOR. USE THE CAP TO COVER THE HOSE CONNECTOR WHEN NOT ATTACHED TO THE FUEL SOURCE.

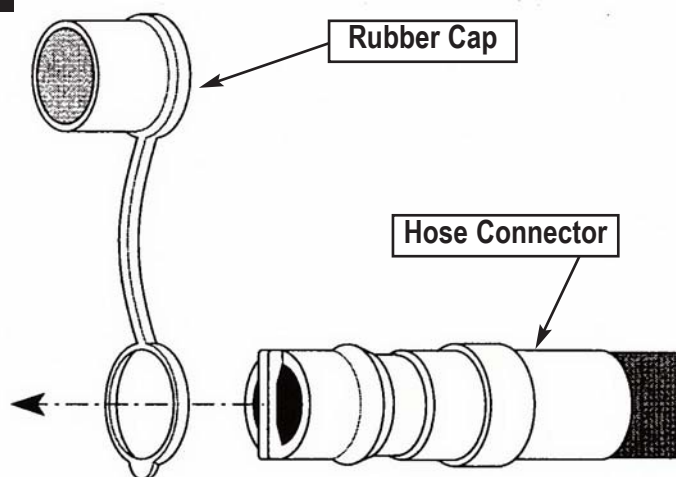
⚠ CAUTION: MAKE SURE THE GAS CONTROL KNOBS ARE IN THE "OFF" POSITION BEFORE CONNECTING THE LOWER END OF THE HOSE TO THE FUEL SOURCE.

TO CONNECT AT THE FUEL SOURCE: PUSH BACK THE SLEEVE OF THE QUICK DISCONNECT COUPLING AND INSERT THE HOSE CONNECTOR. RELEASE THE SLEEVE AND PUSH THE CONNECTOR INTO THE COUPLER UNTIL THE SLEEVE SNAPS FORWARD.

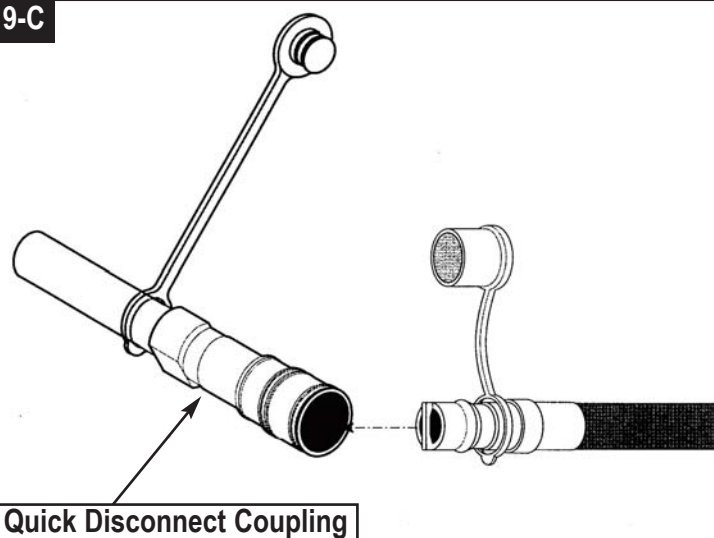
TO DISCONNECT AT THE FUEL SOURCE: PUSH BACK THE SLEEVE AND PULL OUT THE CONNECTOR. THIS AUTOMATICALLY SHUTS OFF THE GAS. IMMEDIATELY PLACE THE RUBBER PLUG INTO THE QUICK DISCONNECT END. TURN OFF THE FUEL SOURCE SHUT-OFF VALVE IF APPLICABLE.

⚠ WARNING: DURING ASSEMBLY OF GRILL AND WHEN CONNECTING OR DISCONNECTING THE HOSE FROM THE FUEL SUPPLY LINE, INSURE THAT THE GAS SUPPLY HOSE IS FREE OF KINKS AND/OR DAMAGE AND IS AT LEAST 3" AWAY FROM HOT SURFACES SUCH AS THE GRILL CASTING.

19-B



19-C



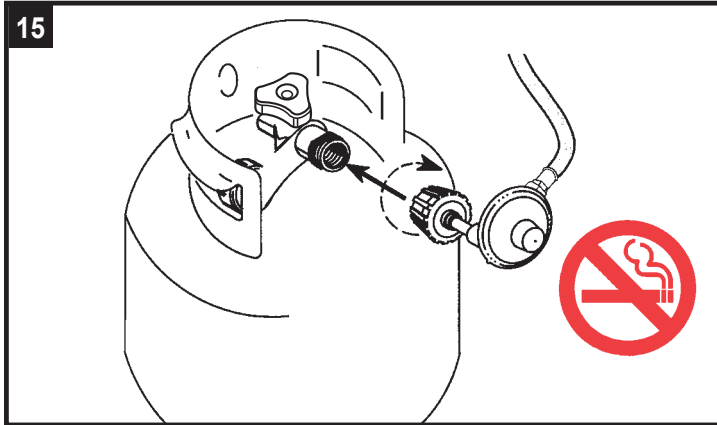
Connecting Type 1 L.P. Gas Cylinders

⚠ WARNING

This procedure **MUST** be performed **OUTDOORS** only! Be sure L.P. cylinder valve is closed. Attach to Grill. Read and follow directions on the cylinder and fuel hose safety tags.

⚠ CAUTION

In the connection process, the grill side of the connection will seal on the back-check in the valve, resulting in a slight resistance. The connection requires about one-half to three-quarters additional turn to complete the connection. To disconnect, turn counterclockwise. Tighten by hand only. **DO NOT** use tools.



1. Check that the cylinder valve is closed by turning the cylinder knob clockwise to a full stop.
2. Check that all the grill burner knobs are in the off position.
3. Remove the protective caps from the cylinder valve and coupling nut. **NOTE:** The coupling nut connects to the large outside threads on the valve outlet.
4. Hold the regulator in one hand and insert the nipple into the valve outlet. Be sure the nipple is centered in the valve outlet. Hand-tighten the coupling nut, taking care not to cross-thread the connection (see Fig. 15).
5. Turn the coupling nut clockwise, tighten to a full stop. If you cannot complete the final connection, disconnect the regulator and repeat steps 4 through 6. If you are still unable to complete the connection, **DO NOT** use this valve and regulator!
6. Check that the hose has no kinks or sharp bends and clears areas that will become hot during use. Never put strain on the hose where it joins a fitting.
7. **BEFORE** lighting grill, check all connections for leaks using the procedure as shown in Fig. 16 on pg. 28.

Leak Testing

⚠ DANGER

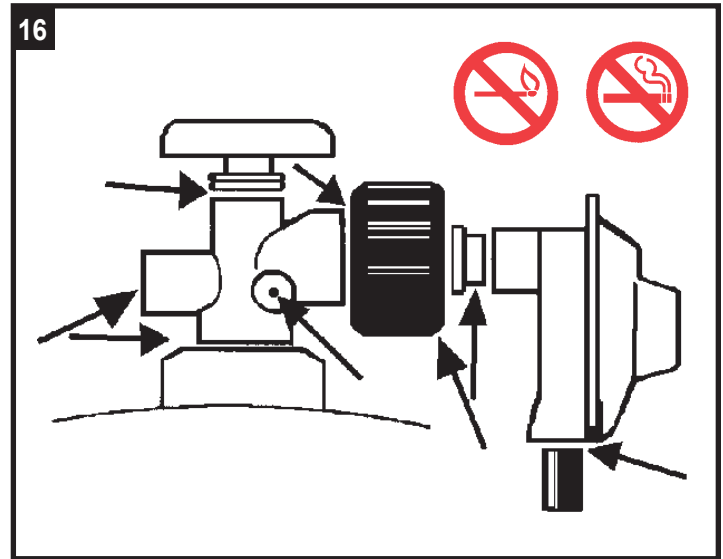
TO PREVENT FIRE OR EXPLOSION HAZARD:

- NO SMOKING. DO NOT use or permit sources of ignition in the area while doing a leak test.
- Perform leak tests outdoors only.
- NEVER perform a leak test with fire or flame.

Leak Testing (cont.)

How to Check for Leaks

1. Make a soapy solution of equal parts mild liquid dishwashing detergent and water.
2. Turn off all burner control knobs.
3. Turn on fuel supply. Turn cylinder valve knob counterclockwise (right to left) one rotation.
4. Apply soap solution to connections indicated with arrows in Fig. 16. If bubbles appear at these areas, a leak is indicated.



Fixing A Fuel Leak

• If you detect a leak:

1. Turn off the fuel supply. Push in and turn on control knobs to release pressure in hose, then turn the control knobs back to off.
2. Wash off soapy solutions with cold water and towel dry.
3. Stop a leak by tightening the loose joint, or by replacing the faulty part with a replacement part recommended by Coleman. **DO NOT** attempt to repair the cylinder valve if it should become damaged; the cylinder **MUST** be replaced.
4. If you are unable to stop a leak, shut off the gas supply at the cylinder valve. Remove the cylinder from the grill. Call a gas appliance serviceman or L.P. gas dealer. **DO NOT** use grill until the leak is corrected.

• When to test for leaks:

1. Perform a leak test each time the gas supply cylinder is connected to the regulator. Leak test anytime a part of the gas system is replaced.
2. Perform a leak test at least once each year whether the L.P. gas supply cylinder has been disconnected or not.
3. Have a dealer check the cylinder for deterioration after 12 years, according to DOT regulations. Immediately replace cylinder if any deterioration is found.

Fixing A Fuel Leak (cont.)

⚠ CAUTION

Inspect the gas supply hoses before each use. If there are cuts, damage, excessive abrasion or wear, replace the hoses prior to operating the appliance. During assembly of grill and when attaching or replacing the L. P. gas cylinder, insure that all gas supply hoses are free of kinks and/or damage and are at least 3" away from hot surfaces such as the grill housing. Use only hose replacements specified in the parts list.

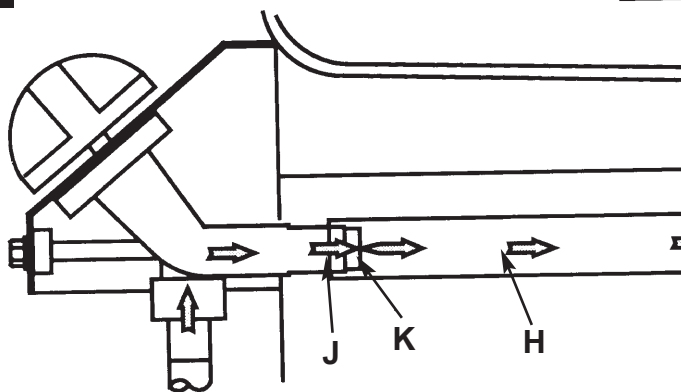
Start-Up Check List

⚠ WARNING

Failure to follow these safety steps before using grill each time could result in a fire that could be hazardous to you, your appliance or property. It is especially important to observe these steps after the grill has been stored, moved or cleaned.

- 1. Regularly check burner venturi tubes for blockage from an insect nest. Read "Cleaning the Venturi" on pg. 32 and "Troubleshooting" on pg. 33.
- 2. Check that all burner venturi [H] are set over the valve outlets [J] correctly. The valve orifice [K] must be inside the venturi. (Fig. 17)
- 3. Inspect the gas supply hoses before each use. Hoses can be burned or chafed if they are routed improperly. See that hoses have no kinks, sharp bends or tension. Insure that hoses are at least 3 inches away from any hot surface.
- 4. Use only the gas specified.
- 5. Keep the grill on a level surface.
- 6. Keep grease pan empty at start up.

17



REPRESENTATIVE ILLUSTRATION

⚠ CAUTION

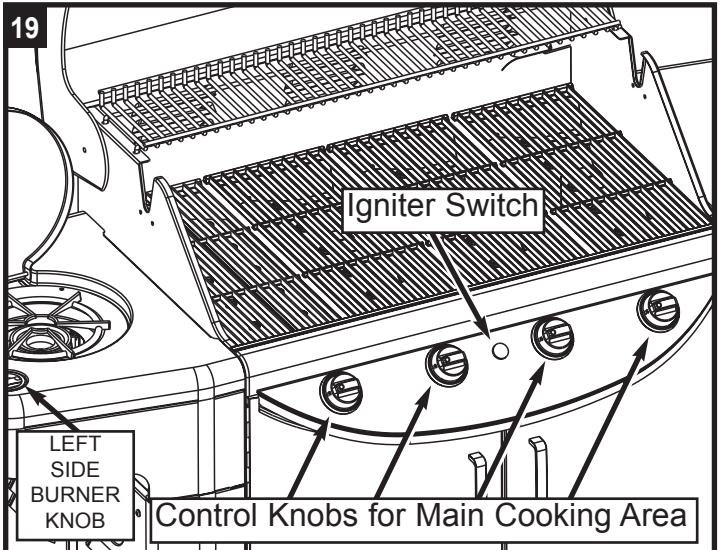
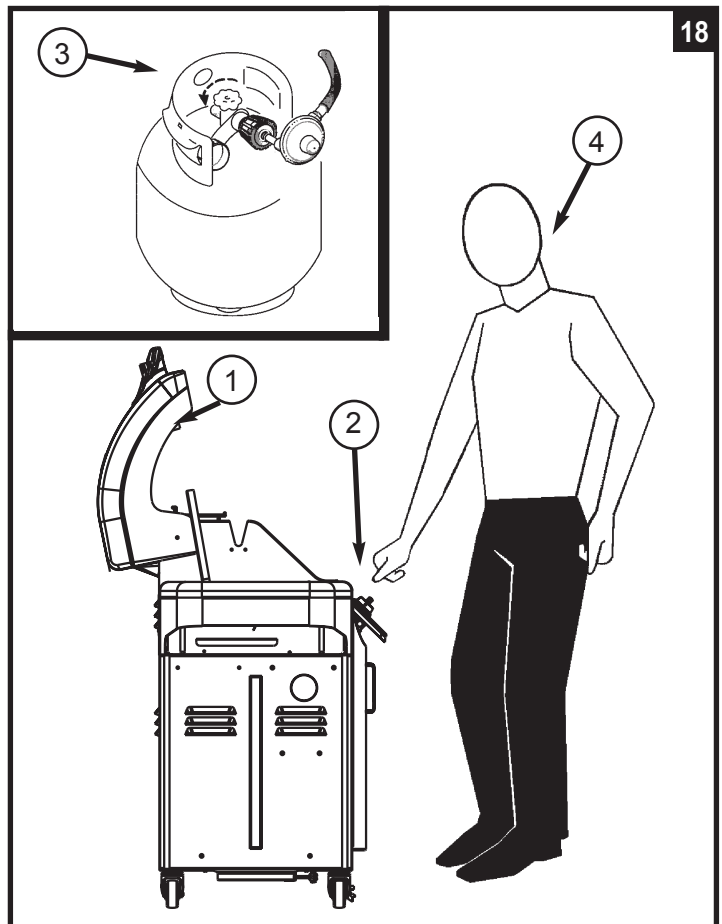
DO NOT add charcoal or lighting fluid!

Lighting Instructions

⚠ WARNING

THE FOLLOWING RULES MUST ALWAYS BE FOLLOWED IN THIS ORDER (Fig. 18):

1. OPEN GRILL LID! Any attempt to light the grill with the lid down could cause an explosion.
2. Check that the burner control knobs are turned to "OFF".
3. Turn on fuel supply. For an L.P. gas cylinder, turn the top cylinder valve knob counterclockwise one rotation to open.
4. DO NOT stand with head or arms over grill.



Lighting Main Burners

1. Turn on any or all burner gas control knobs to high. (Fig. 19)
2. Press the igniter switch until the flame ignites.
3. If the flame doesn't immediately light, turn off control knob and wait five minutes for gas to clear.
4. Repeat steps 1 through 3.
5. If the burner does not light on second try, turn off knob and try match-lighting the burner.

Match Lighting - Main Burners

1. Strike and place the burning match near the BURNER being operated.
2. Turn on BURNER CONTROL KNOB while holding match near burner.
3. The other burners can be ignited by turning them on one at a time after first burner is lighted.

⚠ CAUTION

Use a LONG wooden match. Make sure all burner controls are off except one being lighted. If a long-reach match or lighter is not accessible, there is a match extension provided, attached underneath the side burner table. Insert a match in the holder end of the extension, strike the match, and insert it through the match-lighting hole.

Lighting Side Burner

1. Turn on side burner gas control knob to high. (Fig. 20)
2. Press the igniter switch until the flame ignites.
3. If the flame doesn't immediately light, turn off control knob and wait five minutes for gas to clear.
4. Repeat steps 1 through 3.
5. If the burner does not light, turn off knob and try match-lighting the burner.

Match Lighting - Side Burner

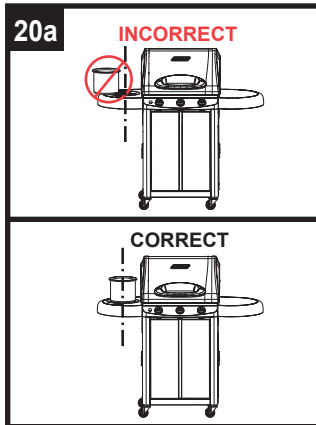
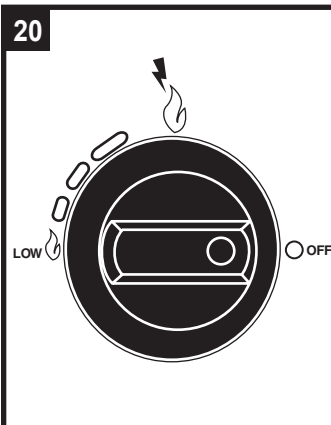
⚠ CAUTION

Use a LONG wooden match or match extension.

1. Strike and place the burning match near the BURNER being operated.
2. Turn on SIDE BURNER CONTROL KNOB while holding match near burner.

⚠ WARNING

- Grill must be level before using side burner.
- NEVER move grill with a pot or pan on the side burner.
- Make sure pot or pan is centered on side burner. (Fig. 20a)
- To avoid the possibility of tipping over the grill, NEVER place more than 15 pounds on the side burner. A filled 6-quart aluminum pot weighs approximately 15 pounds.



Shutting Off the Grill

⚠ CAUTION

DO NOT touch hot grill parts with bare hands! You MUST use protective gloves.

1. Turn all burner control knob(s) to off.
2. After burner flame goes out, turn off fuel supply. For an L.P. cylinder, turn the L.P. cylinder knob in a clockwise direction until it stops.

⚠ CAUTION

Be certain the gas is shut off at the L.P. cylinder valve any-time the grill is not in use.

General Use and Correct Burner Flames

⚠ WARNING

- Keep grill area clean and free from combustible materials, gasoline and other flammable vapors, liquids, and spare L.P. cylinders.
- DO NOT obstruct the flow of combustion and ventilation air.
- Keep the ventilation opening(s) of the L.P. cylinder enclosure free and clear of debris.
- A barbecue grill becomes hot during use. DO NOT touch grates, or cooking surfaces.
- Be sure to tighten all hardware (screws, nuts, bolts, etc.) at least once a year or each grilling season.

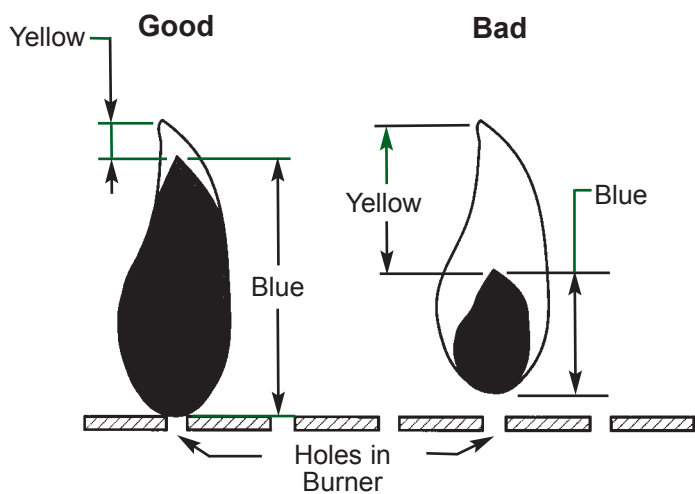
Condition The Grill

- Before using the grill for the first time or after storage, operate grill 15 minutes on high setting, with lid closed, to burn away oil.
- Once the oil has burned away, check the burner flame per next step.

The Burner Flame

- Keep the grill lid closed and the cooking surfaces in place.
- Observe the burner's flame from below the grill bottom.
- Flames should appear similar to the good flame shown in Fig. 21 and as follows:
- A good flame should be blue with yellow tip.
- Some yellow tips on flames up to 1" in length are acceptable as long as no carbon or soot deposits appear.
- If flames are excessively yellow and irregular, the oil residue may not be completely burned off, or the venturi may be clogged or may not be properly positioned over the orifices. Allow grill to cool before repositioning venturi over valve and orifices.
- Grills that have been in use for a while sometimes begin to show more yellow flame. A build-up of food deposits, fats or cooking seasonings can cause yellowing flames. Clean the burner to remove residue and check for clogged burner holes or blocked venturi (see "Cleaning the Venturi" pg. 32).
- Regular use of your grill will actually help keep it operating more smoothly.
- Each grill may heat differently. Some units will heat somewhat more to the center and back of grill. Flavor of grilled food will improve the more you use the grill and as you become familiar with it.

21



Grilling Tips and Hints

Burner Control Setting Tips

- The high flame setting is too hot for direct cooking. The high flame setting is good for quick searing of meat, then finish cooking on medium or low flame settings.
- Use high flame setting with lid closed to preheat the grill for 5 minutes before cooking and with lid closed for a maximum of 5 minutes after cooking to burn off grease drippings.
- Use medium flame setting for direct cooking of steaks, pork chops, chicken and hamburgers.
- Use low flame setting for roasts and rotisserie foods.
- Thick steaks will finish with a better texture and more juice if first seared on high flame setting then cooked on low flame setting.

Safe Grill Operation

- NEVER leave cooking food unattended. Continually observing the food will help in maintaining an even temperature, conserve fuel, improve the food's flavor and lessen flare-ups.
- To open grill lid, slowly lift handle to avoid burning in case of a grease fire flare-up.
- DO NOT expose any part of your body directly above the cooking area.

Food Preparation Hints

Your grill can cook a variety of foods. For best results, follow these instructions:

- Trim excess fat from meat and poultry. Slash any remaining fat to stop curling, but take care not to cut the meat.
- Frozen meat and poultry should be thawed prior to cooking.
- Frozen fish and vegetables will cook without thawing.
- Placing frozen food on very hot porcelain cooking grates can cause temperature shock and crack the finish.
- Salt food after cooking to help prevent drying out the food.
- Brush naturally lean meats with cooking oil or margarine.
- Cook small pieces of tender foods in foil or on special delicate-food cooking grates (see Cooking Methods on pg. 31).
- Apply barbecue, tomato or sugar-based sauces no sooner than the last 10 minutes of cooking.
- Turn food with tongs or spatula; piercing food, especially meat, tends to dry it out.

Follow These Steps:

1. Shut off gas at the burner valve(s) and stay away!
2. Allow the fire to burn itself out.
3. Once the fire is out and the appliance has cooled, shut off the L.P. cylinder valve.
4. Clean all parts and inspect for damage. Parts to check for damage are the L.P. cylinder, cylinder valve, regulator, gas supply hose, burner valve(s) and burner(s).
5. If any of the above mentioned components are damaged, seek replacement from Coleman before operating the grill again. Locate your nearest service center by calling 1-800-356-3612.

Note:

- Some flare-up adds a smoky flavor and sears food. Excessive grease fires can cause a potentially hazardous situation and damage the grill.
- Avoid excessive flare-ups by preheating the grill with the lid closed for 5 minutes on high setting to burn off grease from previous cooking.
- Cook with lid down and continually monitor cooking food to avoid grease fires and flare-ups.
- Trimming excess fat from meat will reduce grease fires and flare-ups. Cook fatty meat in smaller amounts over indirect heat on low setting.
- Be sure to follow the "Cleaning and Maintenance Instructions."

Cooking Methods

Direct Method:

- The heat source is directly below the food.
- Use for browning meat or cooking hot dogs and hamburgers, but check food frequently.
- Use for skillet and stir-fry cooking, but limit the amount of oil and heat to be used.
- Cook roasts, turkey or duck on low heat. Place meat with water in foil pan with corrugated bottom. Replenish water as needed.

Indirect Method:

- Light only one side of the burner and place food on opposite side for cooking.
- Allows food to cook at lower temperatures which increases tenderness and reduces grease flare-ups.
- Good method of cooking foods that burn easily (vegetables, fish, etc.).
- Cook casseroles in ovenware or foil pans much like cooking in a conventional oven.
- Also try placing a pan of water above the lit burner side to help meat retain its juices. Replenish water as needed.

Cleaning the Venturi

⚠ WARNING

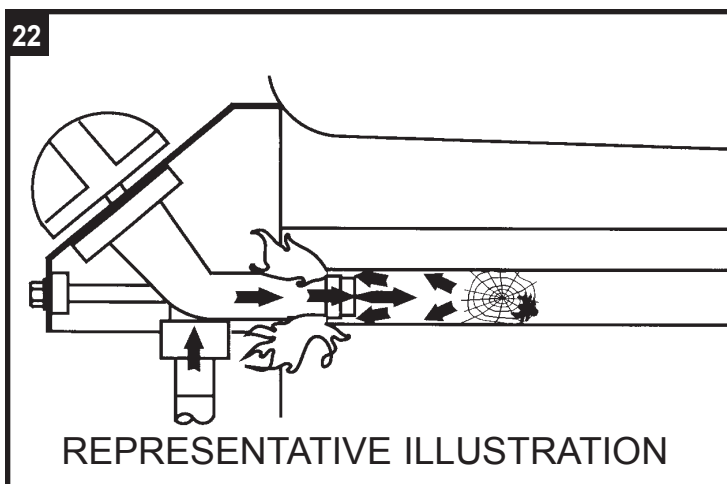
Spider's nests or wasp's mud inside the venturi may cause fire at valve. If a fire occurs, **immediately** turn off gas supply at L.P. cylinder valve (see representative illustration in Fig. 22). If your grill is set up for use with Natural Gas, turn off gas supply at the system manual shut off valve.

Note:

Spiders and small insects can spin webs and build nests inside the venturi tubes. This especially occurs in late summer and fall before frost when spiders are most active. These nests can obstruct gas flow and cause a fire in and around the burner valves. Such a fire can cause operator injury and serious damage to the grill. To help prevent a blockage and ensure full heat output, clean and inspect venturi tubes often (once or twice a month). NOTE: Water or air pressure will not normally clear a spider web.

Steps For Cleaning Venturi:

1. Remove burner from grill bottom.
2. Look inside lower end of venturi tubes for nests, webs or mud.
3. To remove the above obstructions, use an accessory flexible venturi brush or bend a small hook on one end of a 20-inch-long flexible wire such as the one shown in Fig. 23.
4. Inspect and clean the burner if needed.
5. Replace the burner assembly into the grill.
6. Make sure the valve orifices are inside the venturi tubes.
7. Secure burner back into grill bottom.



Cleaning and Maintenance

⚠ CAUTION

All cleaning and maintenance should be done only when grill is cool & with the fuel supply turned off at the cylinder. If your grill is set up for use with Natural Gas, turn off gas supply at the system manual shut off valve.

Suggested Cleaning Materials:

- Mild dishwashing liquid detergent
- Hot water
- Wire brush
- Paper clip
- Nylon cleaning pad
- Soft brass-bristled brush
- Putty knife
- Scraper

Component Cleaning:

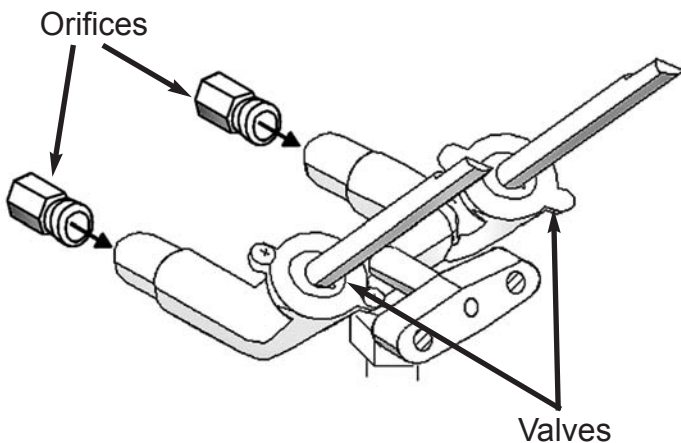
- BURNER: Wire-brush loose corrosion from burner exterior. Clean clogged gas port holes with an opened paper clip. Replace corroded or damaged burners that would emit excess gas.
- STAINLESS STEEL: Clean with any multipurpose (low abrasive, no phosphorous) metal polish or stainless steel polish and a soft cloth to prevent marring or scratching the surface. NEVER USE OVEN CLEANER!
- ORIFICES: Unscrew orifices from rear of valves (Fig. 24). Wash orifices in solvent and blow air through the small end holes. Carefully replace the orifices in valve when they are dry. Make certain that orifices are tightly reassembled.

⚠ DANGER

NEVER attempt to operate your grill without orifices in the valves. A serious and immediate fire hazard would result.

- **COOKING GRATES:** Clean cooking grates with mild soap and hot water. Remove stubborn residue with a mild cleanser or scrub brush. Use a brass-bristle brush on porcelain-coated grates. DO NOT use a commercial oven cleaner.
- **PORCELAIN-COATED HEAT TENTS™:** Wipe off grease residue using a cleaning pad and a brass-bristle brush to knock off residue. Use care not to damage porcelain finish. Replace heat tents to their correct position.
- **GRILL INTERIOR:** Remove grates and porcelain heat tents. Scrape side with tools and remove excess grease and cooking residue.

24



REPRESENTATIVE ILLUSTRATION

⚠ CAUTION

A collision with the grill, as with any metal object, could cause injury. Use care when moving a portable gas grill.

Moving the grill:

- Move grill slowly. DO NOT run with or pull the grill behind you; it could hit you from behind causing injury.
- DO NOT move the grill while it is lit or hot, or with objects on the cooking surface(s) or side table(s).

After moving the grill:

- Check all gas connections for leaks that could occur from the movement.
- Check the venturi tubes to be sure they are still over the orifices.

Steps to follow before storing grill:

- Clean the grill.
- Coat the burner lightly with cooking oil to retard rusting.
- For outdoor use only. If grill is stored indoors, detach and leave cylinder outdoors. If left outdoors, turn off the fuel supply to the L.P. cylinder and cover the grill for protection from the weather. Grill covers may be purchased from a grill dealer or manufacturer.

⚠ WARNING

If the grill is not in use, the gas MUST be turned off at the fuel supply cylinder.

Troubleshooting

Problem: Burner will not light or has incomplete burner flame.

Possible Causes and Solutions:

1. Make sure the 9-volt battery is fresh.
2. Check for spider webs or insect nest in venturi and clean venturi.
3. Lack of fuel. Check to see cylinder valve is open and cylinder has fuel.
4. Misalignment of venturi on orifices. Position venturi over orifices.
5. Burner ports, orifices, valves or hose have blockage. Clean the components.
6. If burner lights with match but not igniter, check ceramic electrode position in gas collector and condition of igniter wire and its connections. Perform igniter test and replace any damaged parts.
7. Crimped fuel supply hose needs straightened.
8. Regulator failure or damaged hose need to be replaced by an authorized service dealer.
9. Make sure hose to cylinder is properly assembled (pg. 26).

Problem: Yellow flame.

Possible Causes and Solutions:

1. Check for spider webs or insect nest in venturi and clean venturi.
2. New burner may have residual oil which will burn off.
3. Clean off any food residue, grease or seasoning salts on burner.
4. Air may be in cylinder if cylinder was not properly purged. Use up remaining gas; the yellow flame may disappear with use.
5. Venturi may be misaligned and needs to be lined up over orifice.

Troubleshooting cont.

Problem: Flame blows out on low setting or has uneven heat distribution.

Possible Causes and Solutions:

1. Check for spider webs or insect nests in venturi and clean venturi.
2. Cold grill needs to be preheated for 5 minutes on high setting.
3. Venturi may be misaligned and needs to be lined up over orifices.
4. Cold and windy weather will require you to move grill away from the wind.
5. Lack of fuel. Check to see cylinder valve is open and cylinder has fuel.

Problem: Grill too hot.

Possible Causes and Solutions:

1. Excessive flareups which require the maintenance described in this book, page 31, under "IN CASE OF GREASE FIRE".
2. A damaged orifice or regulator which requires replacement with factory authorized parts.
3. Buildup of grease inside grill will require cleaning and emptying grease cup or tray.
4. Choose a lower cooking temperature if using excessively high settings.

Problem: Fire at any connection.

Possible Causes and Solutions:

IMMEDIATELY shut off cylinder valve and allow grill to cool.

1. Gas is leaking from a faulty connection. Tighten connections with an adjustable wrench and replace damaged parts. Perform a leak test on all connections before cooking on grill again.

Problem: Flame behind control panel or control knob area.

Possible Causes and Solutions:

IMMEDIATELY shut off cylinder valve and allow grill to cool.

1. Check for spider webs or insect nest in venturi and clean venturi.
2. Gas is leaking from a faulty connection. Tighten connections with an adjustable wrench and replace damaged parts. Perform a leak test on all connections before cooking on grill again.
3. Venturi may be misaligned and needs to be lined up over orifice.

⚠ DANGER

If a fire occurs at the cylinder valve, **DO NOT** attempt to move the cylinder. **IMMEDIATELY** call the fire department and clear the area. You can safely spray water with a garden hose from a distance of at least 15 feet away from cylinder until firemen arrive.

For Your Additional Safety

Current L.P. gas cylinders are fitted with an Overfill Protection Device (O.P.D.). To insure that you retain this safety-device, take your cylinder to an L.P. gas service station for filling, or when exchanging your cylinder at a cylinder exchange station, request that your replacement cylinder be fitted with the O.P.D. feature.

For Your Additional Safety cont.

YOUR NEW GAS GRILL IS EQUIPPED WITH A TYPE 1 CONNECTION DEVICE WHICH HAS 3 SAFETY FEATURES: **(SEE TYPE 1 CONNECTION ILLUSTRATION)**

1. Proof of gas seal between the connector and the cylinder before gas flow takes place.
2. A flow-limiting device designed to limit the flow of gas in the event of a regulator or hose failure.
3. The connection has a thermal shut-off which will stop the flow of gas if the connection reaches a certain temperature.

CURRENT GAS CYLINDERS ARE ALSO EQUIPPED WITH AN OVERFILL PROTECTION DEVICE (O.P.D.) WHICH GREATLY REDUCES THE CHANCE OF ACCIDENTALLY OVERFILLING THE CYLINDER.

SPECIAL NOTE CONCERNING L.P. GAS CYLINDERS:

It is important to insure that your gas cylinder is properly purged before it is filled. If you purchase a new cylinder, please inform your propane gas dealer that this is a new cylinder and needs to be properly purged before being filled.

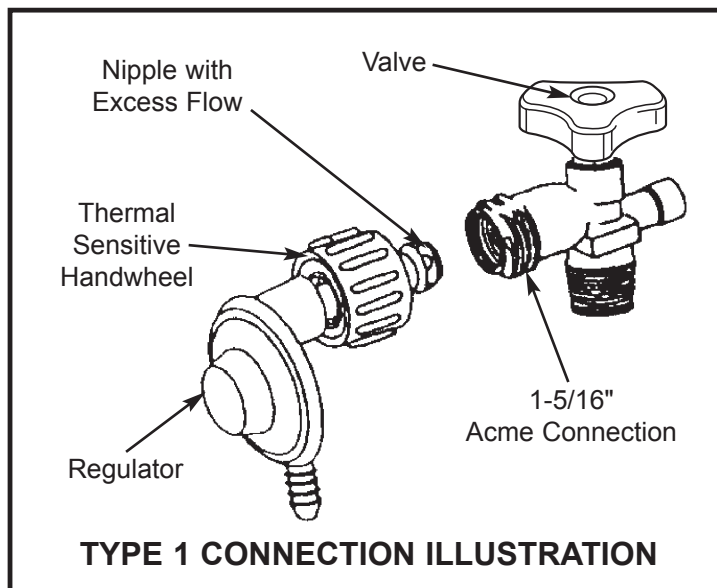
SPECIAL NOTE CONCERNING TYPE 1 CONNECTION DEVICES:

If you notice very small flames on the burner(s), you may have accidentally activated the flow-limiting device in the Type 1 connection device. Besides a rupture in the gas hose, the flow-limiting device may activate for one of the two following reasons:

1. Opening the burner valves before opening the cylinder valve. SOLUTION: Shut off the burner valves and the L.P. cylinder valve and open in the proper order:
 - a). Open the L.P. cylinder valve first, then
 - b). Open burner valve and ignite the burner according to the instructions in this manual for your grill.

IF YOU STILL HAVE A PROBLEM, THEN THERE MAY BE AIR IN THE CYLINDER DUE TO IMPROPER PURGING.

2. The L.P. cylinder was not properly purged before it was filled. SOLUTION: See your L.P. gas supplier.



ATTN: DEPT 589

WICHITA, KS 67201
PO BOX 2931
PRODUCT REGISTRATION DEPARTMENT



Please
Place
First-Class
Stamp
Here

Please do not send other
correspondence to the address below.

PLEASE FOLD AND SEAL WITH TAPE, DO NOT STAPLE.

Coleman® Grill Warranty Registration Card



IMPORTANT!

**COMPLETE THE ATTACHED REGISTRATION CARD AND RETURN WITHIN 10
DAYS TO RECEIVE THESE IMPORTANT BENEFITS:**

- ▶ **CONFIRM YOUR WARRANTY:**
Your prompt product registration confirms your right to the protection available under the terms and conditions of your Coleman® warranty.
- ▶ **PROTECT YOUR PRODUCT:**
We will keep the model number and date of purchase of your new Coleman® product on file to help you refer to this information in the event of an insurance claim such as fire or theft.
- ▶ **PROMOTE BETTER PRODUCTS:**
We value your input. Your responses will help us develop products designed to best meet your needs.

CONGRATULATIONS ON YOUR NEW COLEMAN® GRILL PURCHASE!

If you have any questions about your product, please call Coleman Customer Service at 1-800-835-3278.
For easier/faster warranty registration, please go to the warranty registration section of our Coleman Web site at www.coleman.com.

1. Mr. 2. Mrs. 3. Ms. 4. Miss.

First Name: _____ **Initial:** _____ **Last Name:** _____

Address (Number and Street): _____ **Apt #:** _____

City: _____ **State:** _____ **Zip:** _____

Phone #: _____

2. **Date of Purchase:** _____/_____/_____ **3. Purchase Price:** \$ _____ .00 (Excluding Tax)
Month Day Year
 1. Regular Price 2. Sale Price 3. Don't Know

4. **Store where purchased:** _____

5. **Product Model Number:** _____

6. **Can Coleman contact you with promotional information or updates about Coleman® products?**
 1. Yes, Please contact me. 2. No, Thanks

7. **E-mail Address:** _____

The following questions are not required to obtain warranty service but will greatly assist us in understanding your needs and building better performing products.

8. **Which factors most influenced your purchase? (Please check all that apply.)**

- | | |
|---|---|
| 1) <input type="checkbox"/> Received as a gift | 8) <input type="checkbox"/> Magazine |
| 2) <input type="checkbox"/> Brand | 9) <input type="checkbox"/> In Store Display/Sign |
| 3) <input type="checkbox"/> Price | 10) <input type="checkbox"/> Packaging |
| 4) <input type="checkbox"/> Style | 11) <input type="checkbox"/> Size |
| 5) <input type="checkbox"/> Recommendation from Store Salesperson | 12) <input type="checkbox"/> Weight |
| 6) <input type="checkbox"/> Recommendation from Friend | 13) <input type="checkbox"/> Ease of Use |
| 7) <input type="checkbox"/> Television | 14) <input type="checkbox"/> Other Features |
| | 15) <input type="checkbox"/> Other |

9. **Which of these best describes this purchase? (Please check all that apply.)**

- 1) Received as a gift
 2) First of this type of product owned
 3) Addition to Coleman products
 4) Replaced old Coleman product
 5) Replaced another brand product
 6) Purchase in addition to another brand

10. **Do you participate in any of the following activities? (Please check all that apply.)**

- | | |
|--|--|
| 1) <input type="checkbox"/> Tent Camping | 10) <input type="checkbox"/> Barbequing |
| 2) <input type="checkbox"/> RV Camping | 11) <input type="checkbox"/> Rock Climbing |
| 3) <input type="checkbox"/> Hiking/Backpacking | 12) <input type="checkbox"/> Bicycling |
| 4) <input type="checkbox"/> Fishing | 13) <input type="checkbox"/> Leisure Walking |
| 5) <input type="checkbox"/> Boating | 14) <input type="checkbox"/> Canoeing |
| 6) <input type="checkbox"/> Going to the Beach | 15) <input type="checkbox"/> Kayaking |
| 7) <input type="checkbox"/> Tailgating | 16) <input type="checkbox"/> Entertaining |
| 8) <input type="checkbox"/> Picnicking | 17) <input type="checkbox"/> Backyard Entertaining |
| 9) <input type="checkbox"/> Hunting | 18) <input type="checkbox"/> Attend Auto Racing |

11. **What other brands did you consider?:** _____

19. **What grill feature influenced the purchase of your Coleman® grill? (Please check all that apply.)**

- | | | |
|---|---|--|
| 1) <input type="checkbox"/> Amount of BTU's for cooking | 7) <input type="checkbox"/> Side burner (if applies) | 13) <input type="checkbox"/> Size of the grill (available cooking square inches) |
| 2) <input type="checkbox"/> Cart design | 8) <input type="checkbox"/> Steamer/Fryer/Warmer (if applies) | 14) <input type="checkbox"/> Integrated storage cabinet |
| 3) <input type="checkbox"/> Flame control cooking system | 9) <input type="checkbox"/> Side table design | 15) <input type="checkbox"/> Price |
| 4) <input type="checkbox"/> Power burner | 10) <input type="checkbox"/> Color of the grill (not including stainless steel) | 16) <input type="checkbox"/> Rotisserie (if applies) |
| 5) <input type="checkbox"/> Stainless steel material (if applies) | 11) <input type="checkbox"/> Warming racks | 17) <input type="checkbox"/> Other |
| 6) <input type="checkbox"/> Porcelain or stainless steel cooking grates | 12) <input type="checkbox"/> Dependable igniter | |

12. **Date of Your Birth:** _____/_____/_____

13. **For your primary residence, do you:**
 1. Own 2. Rent

14. **Education: (Check only one.)**

- 1) High school diploma
 2) Some college
 3) College degree
 4) Some graduate school
 5) Graduate degree

15. **Marital Status:**

1. Single 2. Married

16. **Number of people in household:** _____

17. **Number of kids in household under 18 years of age:** _____

18. **Which best describes your family income?**

- 1) Under \$15,000
 2) \$15,000 - \$24,999
 3) \$25,000 - \$34,999
 4) \$35,000 - \$49,999
 5) \$50,000 - \$74,999
 6) \$75,000 - \$99,999
 7) \$100,000 - \$149,999
 8) Over \$150,000

Thank you for filling out this questionnaire. Your answers are important to us. Please check here [] if you prefer not to learn more about Coleman® Outdoor Cooking Products or obtain information on new interesting opportunities from other companies.

Coleman Gas Barbecue Grill Limited Warranty

Castings and Burners - Limited Lifetime
Electronic Ignition Components - Limited Seven (7) Years
Cooking Surfaces and Other Parts - Limited Four (4) Years

The Coleman Company, Inc. ("Coleman") warrants that this product will be free from defects in material and workmanship. This warranty applies to the following parts for the following time periods: the castings are warranted for Limited Lifetime against burn-through; the burner is warranted for Limited Lifetime; electronic ignition components are warranted for seven (7) years; cooking surfaces and other parts are warranted for four (4) years, except the propane cylinder and paint finish. We **DO NOT WARRANT** in any way the propane cylinder (see label on cylinder for cylinder manufacturer's warranty) or the paint finish of the product. Coleman, at its option, will repair or replace this product or any component of the product found to be defective during the warranty period. Replacement will be made with a new or remanufactured product or component. If the product is no longer available, replacement may be made with a similar product of equal or greater value. This is your exclusive warranty.

This warranty is valid for the original retail purchaser from the date of initial retail purchase and is not transferable. Keep the original sales receipt. Proof of purchase is required to obtain warranty performance. Coleman dealers, service centers, or retail stores selling Coleman products do not have the right to alter, modify or any way change the terms and conditions of this warranty.

This warranty does not cover normal wear of parts or damage resulting from any of the following: negligent use or misuse of the product, use on improper voltage or current, use contrary to the operating instructions, disassembly, repair or alteration by anyone other than Coleman or an authorized service center. Further, the warranty does not cover Acts of God, such as fire, flood, hurricanes and tornadoes.

COLEMAN SHALL NOT BE LIABLE FOR ANY INCIDENTAL OR CONSEQUENTIAL DAMAGES CAUSED BY THE BREACH OF ANY EXPRESS OR IMPLIED WARRANTY. EXCEPT TO THE EXTENT PROHIBITED BY APPLICABLE LAW, ANY IMPLIED WARRANTY OF MERCHANTABILITY OR FITNESS FOR A PARTICULAR PURPOSE IS LIMITED IN DURATION TO THE DURATION OF THE ABOVE WARRANTY. SOME STATES, PROVINCES OR JURISDICTIONS DO NOT ALLOW THE EXCLUSION OR LIMITATION OF INCIDENTAL OR CONSEQUENTIAL DAMAGES OR LIMITATIONS ON HOW LONG AN IMPLIED WARRANTY LASTS, SO THE ABOVE LIMITATIONS OR EXCLUSION MAY NOT APPLY TO YOU. THIS WARRANTY GIVES YOU SPECIFIC LEGAL RIGHTS, AND YOU MAY ALSO HAVE OTHER RIGHTS THAT VARY FROM STATE TO STATE OR PROVINCE TO PROVINCE.

DO NOT RETURN THIS PRODUCT TO THE PLACE OF PURCHASE.

Take the product to an authorized Coleman service center. You can find the nearest authorized Coleman service center by calling 1-800-356-3612. If a service center is not conveniently located, you may call the same number for instructions on shipping the product to the Coleman Company, Inc. You may also call the same number if you have any questions concerning this warranty.

NOT VALID IN MEXICO.


For Warranty, Service and Parts

Locate your model number and serial number on the label found on the back of the grill base.



The Coleman Company, Inc. • 3600 N. Hydraulic • Wichita, KS 67219 U.S.A.
1-800-356-3612 • TDD: 316-832-8707

©2004 The Coleman Company, Inc. All rights reserved.

Coleman® and  are registered trademarks of The Coleman Company, Inc.

Free Manuals Download Website

<http://myh66.com>

<http://usermanuals.us>

<http://www.somanuals.com>

<http://www.4manuals.cc>

<http://www.manual-lib.com>

<http://www.404manual.com>

<http://www.luxmanual.com>

<http://aubethermostatmanual.com>

Golf course search by state

<http://golfingnear.com>

Email search by domain

<http://emailbydomain.com>

Auto manuals search

<http://auto.somanuals.com>

TV manuals search

<http://tv.somanuals.com>