



# Butane/Propane Mix Catalytic Heater

## *INSTRUCTIONS FOR USE*

U.S. and other Patents Pending  
© 2003 The Coleman Company, Inc.  
[www.coleman.com](http://www.coleman.com)

### **IMPORTANT**

Read this manual carefully before assembling, using or servicing this heater. Keep this manual for future reference. If you have questions about assembly, operation, servicing or repair of this heater, please call Coleman at 1-800-835-3278 or TDD: 316-832-8707. In Canada call 1-800-387-6161.



Model 5034-700  
Butane/Propane Mix Series



CAN1-11.3-M79 Camp Heater

## Contents

General Safety Information  
To Set Up  
To Light  
To Turn Off  
To Store  
Things You Should Know  
Replacement Parts List  
Warranty

## General Safety Information

### FOR YOUR SAFETY

If you smell gas:

1. Do not attempt to light appliance.
2. Extinguish any open flame.
3. Disconnect from fuel supply.




### FOR YOUR SAFETY

Do not store or use gasoline or other liquids with flammable vapors in the vicinity of this or any other appliance.

## Warning

### • THIS APPLIANCE CONSUMES AIR

- When used in any inside area, provide a fresh air opening of at least three square inches (19 square centimeters).
- Never operate the heater while sleeping.
- Do not use other burning appliances inside.

This manual contains important information about the assembly, operation and maintenance of this heater. General safety information is presented in these first few pages and is also located throughout the manual. Particular attention should be paid to information accompanied by the safety alert symbol “ DANGER”, “ WARNING”, “ CAUTION”.

Keep this manual for future reference and to educate new users of this product. This manual should be read in conjunction with the labeling on the product.

Safety precautions are essential when any mechanical or LPG (liquefied petroleum gas) equipment is involved. These precautions are necessary when using, storing, and servicing. Using this equipment with the respect and caution demanded will reduce the possibilities of personal injury or property damage.

The following symbols shown below are used extensively throughout this manual. Always heed these precautions, as they are essential when using any mechanical or propane fueled equipment.

## General Safety Information *cont.*

### **DANGER**

DANGER indicates an imminently hazardous situation which, if not avoided, will result in death or serious injury.

### **WARNING**

WARNING indicates a potentially hazardous situation which, if not avoided, could result in death or serious injury.

### **CAUTION**

CAUTION indicates a potentially hazardous situation which, if not avoided, may result in minor or moderate personal injury, or property damage.

### **DANGER**

Failure to comply with the precautions and instructions provided with this heater can result in death, serious bodily injury and property loss or damage from hazards of fire, explosion, burn and/or asphyxiation.

Only persons who can understand and follow the instructions should use or service this heater.

### **DANGER**



#### • **EXPLOSION - FIRE HAZARD**

- Never store LPG (liquefied petroleum gas) near high heat, open flames, pilot lights, direct sunlight, other ignition sources or where temperatures exceed 120 degrees F (49°C).
- LPG is heavier than air and can accumulate in low places. If you smell gas, leave the area immediately.
- Never install or remove LPG cylinder while catalytic heater is lighted, near flame, pilot lights, other ignition sources or while catalytic heater is hot to touch.
- During operation, this product can be a source of ignition. Never use the catalytic heater in spaces that contain or may contain volatile or airborne combustibles, or products such as gasoline, solvents, paint thinner, dust particles or unknown chemicals. Minimum clearances from combustible materials: 18 inches.
- Provide adequate clearances around air openings into the combustion chamber.

### **WARNING**

We cannot foresee every use which may be made of our products.  
**Check with your local fire safety authority if you have questions about use.**

Other standards govern the use of fuel gases and heat producing products for specific uses. Your local authorities can advise you about these.

- Never refill disposable LPG cylinder.
- Use the preset regulator that came with the catalytic heater. Do not attempt to adjust.

### **WARNING**

- This product is fueled by LPG. LPG is invisible, odorless, and flammable. An odorant is normally added to help detect leaks and can be described as a “rotten egg” smell. The odorant can fade over time so leaking gas is not always detectable by smell alone.
- LPG is heavier than air and leaking LPG will sink to the lowest level possible. It can ignite by ignition sources including matches, lighters, sparks or open flames of any kind many feet away from the original leak. Use only LPG set up for vapor withdrawal.
- LPG should be stored or used in compliance with local ordinances and codes or with ANSI/NFPA 58. Turn off LPG when not in use.

#### **CALIFORNIA PROPOSITION 65:**

WARNING: This fuel, and byproducts of combustion of this fuel, contain chemicals known to the state of California to cause cancer, birth defects, or other reproductive harm.

### **WARNING**



#### **• BURN HAZARD**

- Never leave catalytic heater unattended when hot or in use.
- Keep out of reach of children.

### **CAUTION**

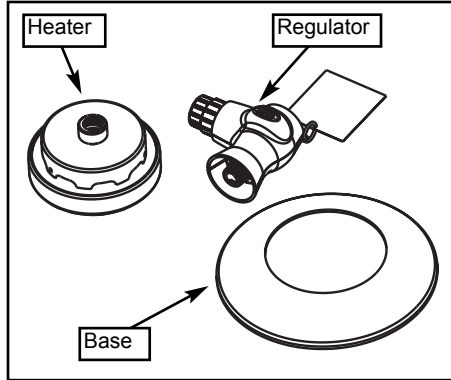
#### **• SERVICE SAFETY**

- Keep all connections and fittings clean. Inspect LPG cylinder and catalytic heater LPG connections for damage before attaching.
- During set up, check all connections and fittings for leaks using soapy water. Never use a flame. Bubbles indicate a leak. Check that the connection is not cross-threaded and that it is tight. Perform another leak check. If there is still a leak, remove the cylinder and contact Coleman for service or repairs.
- Use as a heating appliance only. Never alter in any way or use with any device or part not specifically designed and sold for this product.

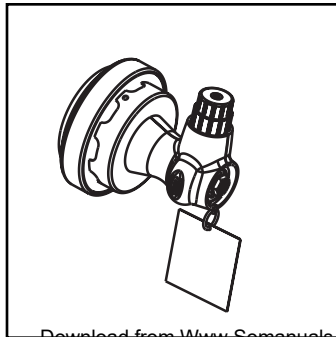
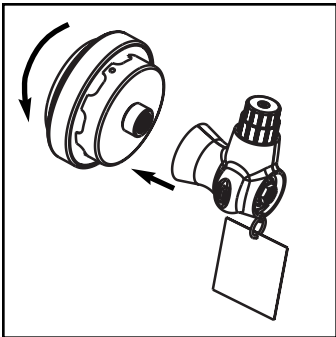
## To Set Up

NOTE: Use 7 3/4 oz disposable butane/propane mix cylinder only. Do not connect to bulk LPG systems. The LP-gas cylinder(s) used with catalytic heaters must be constructed and marked in accordance with the specifications for LP-gas cylinders of the U.S. Department of Transportation or *Transport Canada, CAN/CSA B339*.

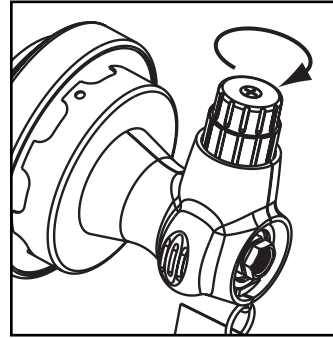
■ Unit includes Heater Assembly, Regulator Assembly, and Base. The LPG tank is not included.



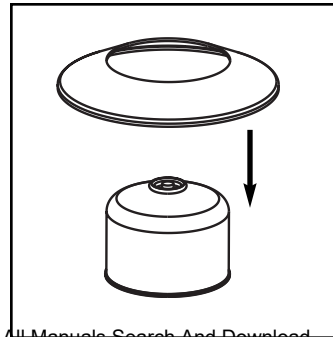
■ Attach Heater Assembly to Regulator Assembly hand tight.



■ Turn HEATER VALVE to OFF.



■ Place fuel cylinder on a solid surface. Press Base over fuel cylinder.

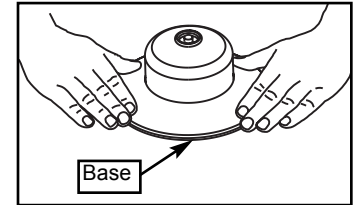


## ⚠ CAUTION

### • SERVICE SAFETY

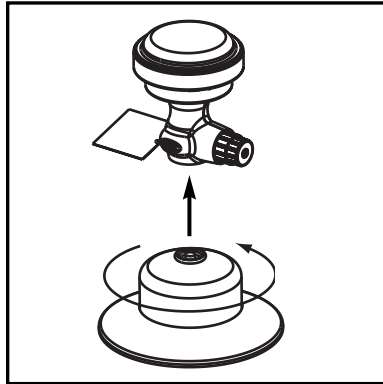
- Keep all connections and fittings clean. Inspect LPG cylinder and heater LPG connections for damage before attaching.
- During set up, check all connections and fittings for leaks using soapy water. Bubbles indicate a leak. Never use a flame.

■ Use both hands to firmly press the Base in place.

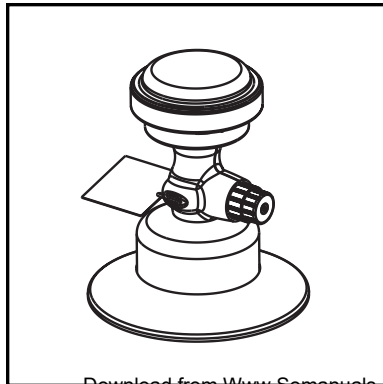


**Note:** Using the heater without the Base on the fuel cylinder will void compliance with **CAN1-11.3-M79**.

## To Set Up *cont.*



- Attach CYLINDER to HEATER outdoors.



- Position HEATER as shown on flat surface.

## To Light

### **DANGER**



#### • EXPLOSION - FIRE HAZARD

- LPG is heavier than air and can accumulate in low places. If you smell gas, leave the area immediately.
- Always attach or detach LPG source outdoors; never while heater is lighted, near flame, pilot lights, other ignition sources or while heater is hot to touch.
- This heater is red hot during use and can ignite flammables too close to the burner. Keep flammables at least 18 inches from the sides and 18 inches from the top of the heater. Keep gasoline and other flammable liquids and vapors well away from heater.

### **WARNING**



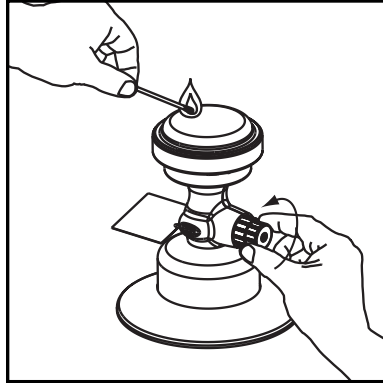
#### • BURN HAZARD

- Never leave heater unattended when hot or in use.
- Keep out of reach of children.

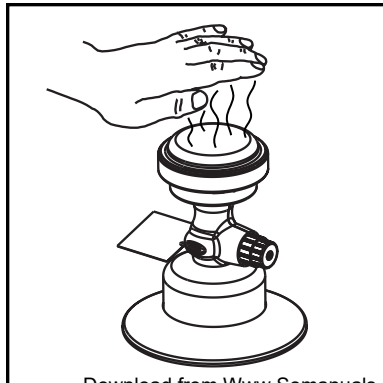
## To Light *cont*

■ Hold match as shown. Turn valve to LIGHT position and hold for 8-10 seconds.

■ Heater will ignite with a brief visible flame. Continue to hold VALVE at LIGHT position for an additional 10 seconds. Release knob. It will return to ON position. Heater is NOT adjustable.

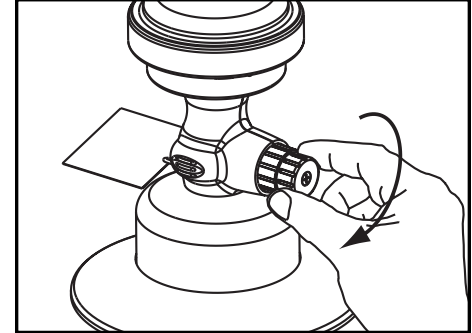


■ NOTE: Heater is designed to be lit with the valve fully open until it reaches full output. Observe heat build up for a few minutes to ensure heater is lit. If heater fails to develop substantial heat, turn heater "OFF" and repeat lighting procedure.



## To Turn Off

- Turn FUEL VALVE to OFF.
- Allow HEATER to cool for 10-15 minutes.



## To Store

**⚠ DANGER**

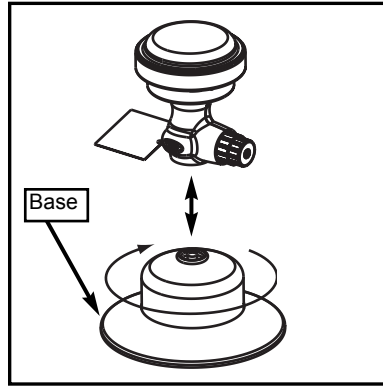


• **EXPLOSION - FIRE HAZARD**

- Never store LPG cylinders near high heat, open flames, pilot lights, direct sunlight, other ignition sources or where temperatures exceed 120 degrees F (49°C).

## To Store cont

- Make sure Heater is cool.
- Take unit outdoors away from any ignition sources. Remove LPG cylinder from Heater.
- The Base is removable for storage.



## Things You Should Know

1. This is a catalytic heater. Burning occurs within the pad at a lower temperature than a normal flame due to evenly distributed platinum. But, heat guard and burner rim still get hot enough to burn you. Be careful.
2. Do not use heater for cooking or warming items, this can destroy combustion and catalyst. This heater has a low burn temperature (no flame) but it can still burn clothing, sleeping bags, etc., that might fall on the burner surface.
3. To avoid damage to the catalyst, do not allow head pad to come in contact with or around silicone based hand creams, paints, etc.
4. Do not touch the gray ceramic fiber head pad or poke a hole into it.
5. Do not attempt cleaning the head assembly.
6. For repair service call one of the numbers listed below for location of your nearest Coleman Service Center. If heater must be mailed to Service Center, attach your name, address, and a description of problem to product and send to Service Center either by UPS or Parcel Post **insured with shipping and insurance** prepaid. *Do not mail LPG cylinders.* If necessary to write the Service Center or factory, refer to your heater by model number.
7. If not completely satisfied with performance of this product, please call one of the numbers listed below.
8. As with any new heating appliance, a small amount of smoke may be seen during the initial operation as a result of residual manufacturing oils being heated. This is normal. Coleman suggests the owner operate the heater for 30 minutes when first purchased. This will also familiarize the owner with all the features of the heater.

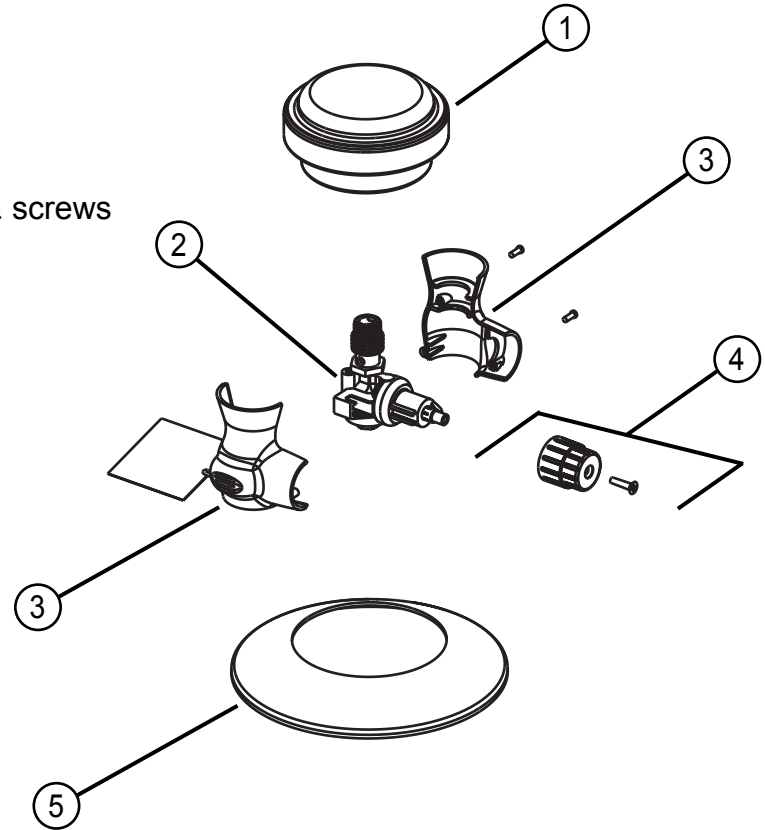
The Coleman Co., Inc.  
3600 N. Hydraulic  
Wichita, KS 67219 U.S.A.  
1-800-835-3278  
TDD: 316-832-8707

Sunbeam Corporation (Canada) Limited  
5975 Falbourne Street  
Mississauga, Ontario  
Canada L5R 3V8  
800 387-6161



## Replacement Parts List

No.	Part No.	Description
1	5034-2021	Heater Assembly
2	R5034-525J	Regulator Assembly
3	5034-6711	Collar Assembly (left/right) & screws
4	5034-1261	Control Knob & screw
5	5034-1231	Base



## Coleman Limited Five-Year Warranty

Coleman will repair or replace, at its option, this product or any component found to be defective in materials or workmanship within five years of the original retail purchase. This warranty is valid for the original retail purchaser from the date of initial retail purchase and is not transferrable. Keep the original sales receipt. Proof of purchase is required to obtain warranty performance. Coleman dealers, service centers, or retail stores offering Coleman products do not have authority to alter, modify or in any way change the terms or conditions of this warranty.

### WHAT IS NOT COVERED

- Cost of shipment to Coleman
- Normal wear and tear, including chips, scratches, abrasion, discoloration or fading from use or exposure to sunlight
- Damage caused by misuse, abuse, neglect, alterations, repairs by unauthorized persons, use of non-Coleman accessories or parts, or failure to follow recommended care or maintenance instructions
- Products used for commercial purposes or in profit or non-profit instructional or rental operations
- Mantles, generators, light bulbs, batteries or fuel
- CONSEQUENTIAL DAMAGES, INCIDENTAL DAMAGES, OR EXPENSES, INCLUDING DAMAGES TO PROPERTY. SOME STATES/PROVINCES DO NOT ALLOW THE EXCLUSION OR LIMITATION OF INCIDENTAL OR CONSEQUENTIAL DAMAGES, SO THE ABOVE LIMITATION OR EXCLUSION MAY NOT APPLY TO YOU.

### IMPLIED WARRANTIES

Any implied warranties, either statutory or otherwise, including implied warranties of merchantability and fitness for a particular purpose, shall be limited to the duration and terms of the express warranties set forth in this limited warranty. Some states/provinces do not allow limitations on how long an implied warranty lasts, so the above limitation may not apply to you.

This warranty gives you specific legal rights, and you may also have other rights that vary from from state to state or province to province.

### HOW TO OBTAIN WARRANTY PERFORMANCE

Take the product to an authorized Coleman Service Center. If one is not conveniently located, attach a tag to the product which includes your name, address, telephone number and description of the problem. Include a copy of the original sales receipt. Carefully package the product and send either by UPS or Parcel Post **insured** with shipping and **insurance** prepaid to: USA: The Coleman Company Inc., 3600 N. Hydraulic, Wichita, KS 67219, or CANADA: Sunbeam Corporation (Canada) Limited, 5975 Falbourne Street, Mississauga, Canada L5R 3V8. Please do not mail products with fuel in tanks, or with disposable LPG cylinders. Remove glass globes from lanterns.

If you are located outside the United States or Canada, return this product to the place you purchased it, or to any other retailer seller of similar Coleman products, and request warranty assistance. If you are unable to obtain warranty assistance, then you may call any of the following Coleman offices for further assistance:

[www.coleman.com](http://www.coleman.com)

#### For products purchased in the United States:

The Coleman Co., Inc.  
3600 N. Hydraulic  
Wichita, KS 67219 U.S.A.  
1-800-835-3278  
TDD: 316-832-8707

#### For products purchased in Canada:

Sunbeam Corporation (Canada) Limited  
5975 Falbourne Street  
Mississauga, Ontario  
Canada L5R 3V8  
1 800 387-6161



# Chaufferette catalytique à mélange butane/propane

## NOTICE D'EMPLOI

Brevets des États-Unis et autres en instance  
© 2003 The Coleman Company, Inc.  
[www.coleman.com](http://www.coleman.com)

### IMPORTANT

Lisez attentivement ce manuel avant d'assembler, d'utiliser ou de réparer cet appareil et gardez-le pour référence ultérieure. Pour toute question en ce qui concerne l'assemblage, le fonctionnement, l'entretien ou la réparation, appelez Coleman au 1 800 835-3278 ou ATS 316-832-8707 aux États-Unis et au 1 800 387-6161 au Canada.



Modèle 5034-700  
Série alimentée par  
mélange butane/propane



CAN1-11.3-M79 Radiateurs de camping

## Table des matières

Généralités de sécurité  
Assemblage  
Allumage  
Extinction  
Rangement  
Renseignements essentiels  
Pièces de remplacement – Nomenclature  
Garantie

## Généralités de sécurité

### POUR VOTRE SÉCURITÉ

Si vous sentez le gaz :

1. Arrêtez l'alimentation en gaz à l'appareil.
2. Éteignez toutes flammes nues.
3. Débranchez de l'alimentation en gaz.




### POUR VOTRE SÉCURITÉ

**Ne rangez pas et n'employez pas d'essence ou d'autres vapeurs ou liquides inflammables à proximité de cet appareil ou de tout autre appareil.**

## AVERTISSEMENT

### • CET APPAREIL CONSOME L'OXYGÈNE

- **S'il sert à l'intérieur, prévoyez une bouche d'air ayant au moins 19 cm<sup>2</sup> (trois pouces carrés).**
- **Ne faites jamais fonctionner la chaufferette pendant que vous vous reposez ou dormez.**
- **N'employez pas d'autres appareils à carburant simultanément.**

Ce manuel renferme d'importants renseignements relatifs à l'assemblage, au fonctionnement et à l'entretien de la chaufferette. Les généralités de sécurité sont fournies tout au début du manuel puis ici et là dans le reste du manuel. Faites tout particulièrement attention en présence des symboles suivants :  DANGER,  AVERTISSEMENT et  ATTENTION.

Gardez ce manuel pour le consulter au besoin et pour apprendre aux nouveaux utilisateurs à employer l'appareil. Le manuel devrait être compulsé de concert avec les étiquettes apposées sur le produit.

Des précautions de sécurité sont essentielles en présence de tout appareil mécanique ou à GPL (gaz de pétrole liquéfié). Des précautions sont nécessaires pour l'utilisation, le rangement et l'entretien. Utiliser cet appareil avec tous les soins qui lui sont dus réduira les risques de blessures corporelles ou de dommages matériels.

Les symboles suivants sont régulièrement employés dans le manuel. Tenez compte de ces précautions, elles sont impératives lors de l'utilisation de tout appareil mécanique ou à gaz.

## Généralités de sécurité (suite)

### DANGER

« DANGER » indique une situation dangereuse qui, si elle n'est pas contournée, entraînera la mort ou des blessures graves.

### AVERTISSEMENT

« AVERTISSEMENT » signale une situation potentiellement dangereuse qui, si elle n'est pas évitée, peut entraîner la mort ou des blessures graves.

### ATTENTION

« ATTENTION » dénote un danger potentiel qui, s'il n'est pas contourné, risque d'entraîner des blessures corporelles allant de peu graves à moyennes ou bien des dommages matériels.

### DANGER

L'inobservation des précautions et instructions fournies avec cette chauffeurette peut entraîner la mort, des blessures corporelles graves ainsi que des dommages ou pertes matériels par suite des risques d'incendie, d'explosion, de brûlures ou d'asphyxie.

La chauffeurette doit uniquement être utilisée ou entretenue par des personnes capables d'assimiler et d'observer les instructions fournies.

### DANGER



#### • RISQUE D'EXPLOSION ET D'INCENDIE

- Ne rangez jamais de gaz de pétrole liquéfié (GPL) près de la chaleur, de flammes, de veilleuses, au soleil ou près d'autres sources d'inflammation où la température puisse dépasser 120 °F (49 °C).
- Plus lourd que l'air, le GPL s'accumule au ras du sol. Si vous sentez le gaz, éloignez-vous immédiatement de l'endroit.
- Ne fixez ou détachez jamais la cartouche de GPL quand la chauffeurette catalytique est allumée, près de flammes, de veilleuses ou d'autres sources d'inflammation ou bien quand elle est chaude au toucher.
- Cet appareil peut être source d'inflammation quand il fonctionne. N'employez jamais la chauffeurette catalytique dans les lieux contenant ou pouvant contenir des substances combustibles ou en suspension dans l'air, ainsi que des produits tels essence, solvants, dissolvants, particules de poussière ou produits chimiques indéterminés. Le dégagement minimal aux matières combustibles est de 18 po (45 cm).
- Prévoyez des dégagements convenables autour des bouches d'air dans la chambre de combustion.

### AVERTISSEMENT

Il nous est impossible de prévoir toutes les utilisations auxquelles puissent être soumis nos produits. **Consultez les autorités de sécurité incendie pour toute question quant à l'utilisation.**

D'autres normes régissent l'utilisation des produits qui génèrent des gaz combustibles ou de la chaleur à des fins spécifiques. Les autorités municipales compétentes vous renseigneront à ce sujet.

- N'essayez jamais de recharger les cartouches de gaz jetables.
- Servez-vous du régulateur préréglé qui est fourni avec la chauffeurette catalytique. N'essayez pas de modifier l'ajustement.



### AVERTISSEMENT

- Cet appareil brûle le gaz de pétrole liquéfié, un gaz incolore, inodore et inflammable. Un odorant est généralement incorporé au gaz pour lui conférer une odeur déplaisante « d'œuf pourri » et faciliter la détection des fuites. Étant donné que l'odorant risque de s'estomper avec le temps, il serait insensé de compter uniquement sur son odorat pour détecter les fuites.
- Plus lourd que l'air, le gaz de pétrole liquéfié s'accumule à ras du sol. Il peut être enflammé par des sources d'inflammation – allumettes, briquets, étincelles ou flammes nues, par exemple – éloignées de la fuite. Ne vous servez que de gaz destiné à être soutiré pour utilisation à l'état gazeux.
- Le GPL doit être entreposé et utilisé conformément aux codes et règlements municipaux ou, faute de code, aux normes ANSI/NFPA 58. Fermez l'alimentation en gaz entre utilisations.

#### PROPOSITION 65 DE LA CALIFORNIE :

AVERTISSEMENT: Ce carburant et les sous-produits de sa combustion contiennent des produits chimiques reconnus par l'État de Californie comme pouvant être la cause de cancer, de malformations congénitales ou présenter d'autres dangers pour la reproduction.



### AVERTISSEMENT



#### • RISQUE DE BRÛLURES

- Ne laissez jamais la chauffeurette catalytique sans surveillance lorsqu'elle est chaude ou fonctionne.
- Gardez la chauffeurette hors de la portée des enfants.



### ATTENTION

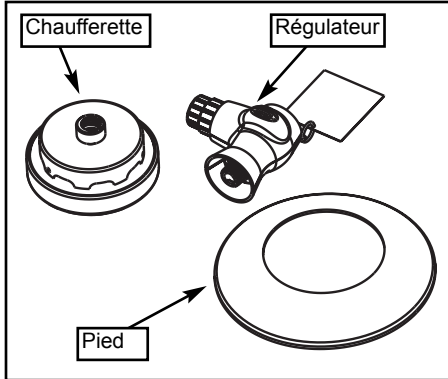
#### • ENTRETIEN DE SÉCURITÉ

- Raccords et garnitures doivent être immaculés. Examinez la cartouche de GPL ainsi que la chauffeurette catalytique pour déceler tout dommage avant le raccordement.
- Lors de l'assemblage, vérifiez tous les raccordements, à l'eau savonneuse – jamais avec une flamme – pour déceler les fuites. Des bulles signalent une fuite. Assurez-vous que le filetage ne soit pas faussé et que le raccordement soit bien serré. Faites une nouvelle recherche de fuite. S'il se produit encore des bulles, détachez la cartouche et contactez Coleman en vue de la réparation.
- La chauffeurette catalytique ne convient qu'au chauffage. Ne la modifiez pas et ne lui ajoutez ni dispositifs ni pièces n'étant pas spécialement fabriqués ou vendus pour elle.

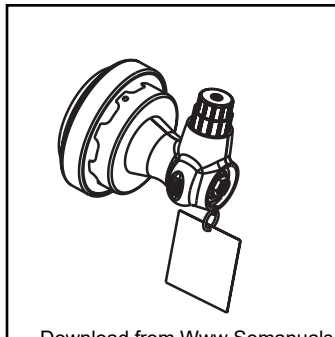
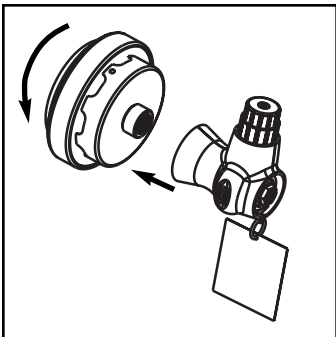
# Assemblage

REMARQUE: N'utilisez que des cartouches de mélange butane/propane jetables de 227 g, JAMAIS de bonbonnes. Les bouteilles de GPL qui alimentent les chauffeuses catalytiques doivent être fabriquées et porter les marquages lisibles, conformément aux exigences pour bouteilles de GPL du Ministère des Transports des États-Unis ou de la norme CAN/CSA B339 de Transport Canada.

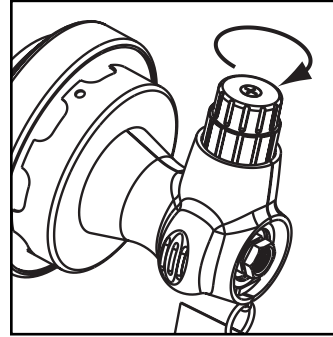
■ Cet appareil comprend l'ensemble de la chauffeuse, l'ensemble du régulateur et un pied. La cartouche de GPL n'est pas fournie.



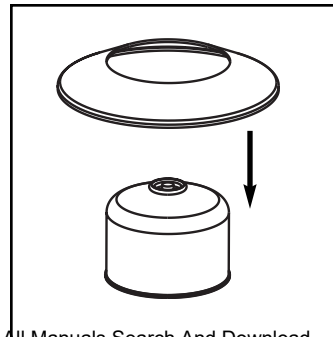
■ Fixez l'ensemble du régulateur à la chauffeuse. Serrez à la main.



■ Réglez la COMMANDE DE LA CHAUFFERETTE à OFF (arrêt).



■ Posez la cartouche de carburant sur une surface plane. Enfitez le pied sur la cartouche.

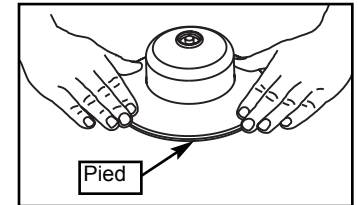


## ATTENTION

### • ENTRETIEN DE SÉCURITÉ

- Raccords et garnitures doivent être immaculés. Examinez soigneusement les raccords de la chauffeuse et de la cartouche de GPL avant le branchement.
- Lors de l'assemblage, vérifiez tous les raccordements à l'eau savonneuse – surtout jamais avec une flamme. Des bulles signalent une fuite.

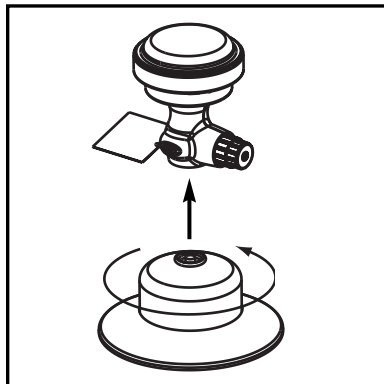
■ Des deux mains, appuyez fermement sur le pied pour le mettre en place.



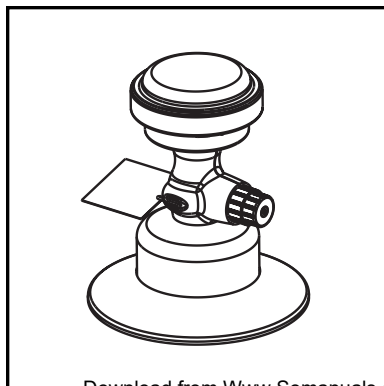
**Remarque:** Utiliser la chauffeuse sans que la cartouche ne soit munie du pied annule la conformité à la norme CAN1-11.3-M79.

## Assemblage *(suite)*

■ Fixez la CARTOUCHE DE MÉLANGE BUTANE/PROPANE à la CHAUFFERETTE, à l'air libre.



■ Placez la CHAUFFERETTE tel qu'illustré sur une surface plane.



## Allumage

### DANGER



#### • RISQUE D'EXPLOSION ET D'INCENDIE

- Plus lourd que l'air, le GPL s'accumule au ras du sol. Si vous sentez le gaz, éloignez-vous immédiatement de l'endroit.
- Fixez ou détachez toujours la cartouche de GPL à l'air libre – jamais quand la chaufferette catalytique est allumée, se trouve près de flammes, de veilleuses et d'autres sources d'inflammation ou lorsqu'elle est chaude au toucher.
- Chauffant au rouge pendant son utilisation, la chaufferette peut enflammer les matières inflammables trop près du brûleur. Gardez les produits inflammables à au moins 45 cm (18 po) des côtés et du dessus de la chaufferette. Gardez en outre l'essence et les liquides ou vapeurs inflammables à une bonne distance.

### AVERTISSEMENT



#### • RISQUE DE BRÛLURES

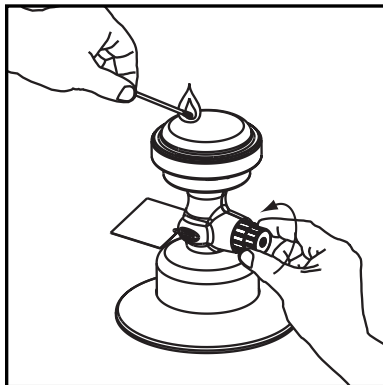
- Ne laissez jamais la chaufferette catalytique sans surveillance quand elle fonctionne ou est chaude.
- Gardez-la hors de portée des enfants.



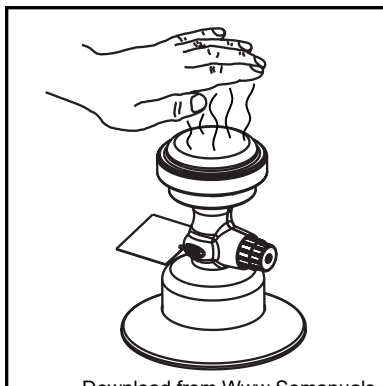
## Allumage *(suite)*

■ Tenez une allumette enflammée tel qu'illustré. Réglez et laissez la commande à LIGHT (allumage) 8-10 secondes.

■ La chauffeurette s'allumera et sa flamme sera brièvement visible. Gardez la COMMANDE à LIGHT 10 secondes de plus. Relâchez le bouton, il reviendra à la position ON (marche). La chauffeurette n'est PAS réglable.



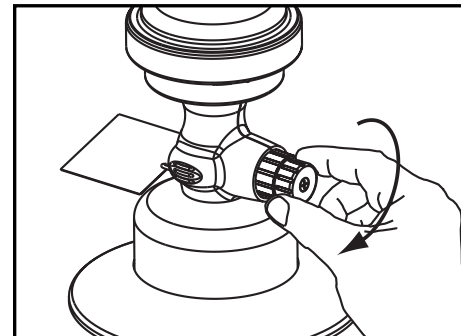
■ REMARQUE : La chauffeurette est conçue pour être allumée avec la commande grande ouverte jusqu'à l'obtention du plein dégagement de chaleur. Observez celui-ci quelques minutes avant de vous éloigner, pour vous assurer qu'elle soit bien allumée. Si la chaleur vous semble insuffisante, réglez la chauffeurette à OFF (arrêt) puis rallumez-la.



## Extinction

■ Réglez la COMMANDE à OFF (arrêt).

■ Laissez refroidir la CHAUFFERETTE durant 10 à 15 minutes.



## Rangement

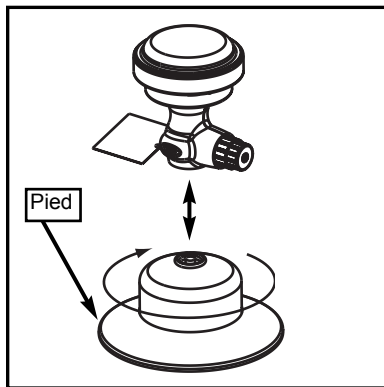
**⚠ DANGER**



• Ne rangez jamais les cartouches de GPL près de la chaleur, de flammes, de veilleuses, aux rayons directs du soleil, près d'une source d'inflammation ou dans un endroit où la température puisse dépasser 120 °F (49 °C).

## Rangement (suite)

- Attendez que la chauffeurette soit froide.
- Portez-la au grand air, à l'écart des sources d'inflammation. Séparez la cartouche de GPL de la chauffeurette.
- Le pied est amovible pour le rangement.



## Renseignements essentiels

1. Cette chauffeurette est un modèle catalytique. Le chauffage se fait dans le tampon, à température plus basse qu'une flamme ordinaire, par suite de la poussière de platine uniformément répartie. Grillage et bord du brûleur sont toutefois assez chauds pour vous brûler. Soyez donc prudent.
2. Ne vous servez pas de la chauffeurette pour faire la cuisine ou réchauffer quoi que ce soit, vous risqueriez d'annihiler la combustion et de détruire le catalyseur. Bien qu'elle chauffe à basse température (sans flamme), la chauffeurette peut brûler sacs de couchage, vêtements et autres s'ils tombent sur le brûleur.
3. Pour éviter d'abîmer le catalyseur, le tampon ne doit pas être en contact avec crèmes à la silicone pour les mains, peintures, etc., ou près d'elles.
4. Ne touchez pas et ne trouez pas le tampon gris en fibres de céramique de la tête.
5. N'essayez pas de nettoyer l'ensemble de la tête.
6. En cas de panne, composez l'un des numéros ci-dessous pour obtenir l'adresse du centre de service Coleman le plus proche. Si vous devez y envoyer la chauffeurette, joignez-y vos nom, adresse et une brève description du problème. Envoyez le colis, **valeur déclarée**, par UPS ou par la poste, en **port et assurance payés**. *N'envoyez pas de cartouches de GPL*. S'il y a lieu, mentionnez le numéro de modèle dans toute correspondance ultérieure, échangée avec le centre de réparation ou l'usine.
7. Si le rendement de cet article ne se révèle pas entièrement satisfaisant, avisez-nous-en en composant l'un des numéros ci-dessous.
8. Le fonctionnement initial des appareils chauffants entraîne généralement le dégagement d'un peu de fumée – celle-ci provient du chauffage du résidu des huiles utilisées dans la fabrication. Ceci est normal. Coleman suggère qu'après l'achat, l'utilisateur fasse fonctionner la chauffeurette 30 minutes. Ceci l'aidera en outre à se familiariser avec les caractéristiques de l'appareil.

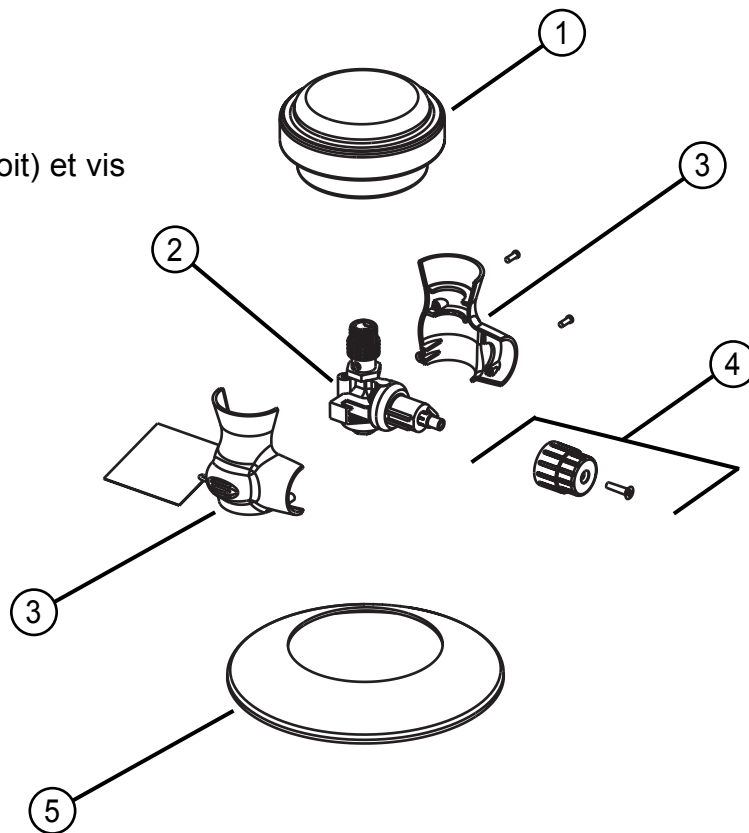
The Coleman Co., Inc.  
3600 N. Hydraulic  
Wichita, KS 67219 U.S.A.  
1-800-835-3278  
TDD: 316-832-8707

Sunbeam Corporation (Canada) Limited  
5975 Falbourne Street  
Mississauga, Ontario  
Canada L5R 3V8  
1 800 387-6161

[www.coleman.com](http://www.coleman.com)

## Pièces de remplacement - Nomenclature

N°	N° de pièce	Désignation
1	5034-2021	Ensemble de la chaufferette
2	R5034-525J	Ensemble du régulateur
3	5034-6711	Ens. du collier (gauche et droit) et vis
4	5034-1261	Bouton de commande et vis
5	5034-1231	Pied



## Garantie limitée de cinq ans de Coleman

Coleman se réserve le droit de choisir entre réparer ou remplacer cet article ou toute pièce de celui-ci dont la défectuosité, résultant d'un vice de matériau ou de fabrication, a été constatée au cours de la période de la garantie de cinq (5) ans courants à compter de la date de l'achat au détail. Cette garantie n'est valable que pour l'acheteur au détail original à partir de la date de l'achat au détail initial et elle n'est pas transférable. Veuillez garder le reçu d'achat original. La preuve d'achat est exigée pour tout service couvert par la garantie. Les concessionnaires Coleman, les centres de service et les détaillants qui vendent des articles Coleman n'ont pas le droit d'altérer, de modifier ou de changer d'une manière quelconque les modalités de cette garantie.

### NE SONT PAS COUVERTS

- Les frais d'expédition à Coleman
- L'usure normale, y compris les éclats, les égratignures, l'abrasion, la décoloration ou l'altération de la couleur par suite de l'emploi ou de l'exposition à la lumière du soleil
- L'endommagement attribuable à l'utilisation fautive ou abusive de l'appareil, la négligence, l'altération ou la réparation par des personnes non autorisées, l'emploi d'accessoires ou de pièces autres que de marque Coleman et l'observation des soins et des directives d'emploi fournis
- L'emploi des produits à des fins commerciales, pour l'enseignement – avec ou sans rémunération – ou la location
- Les manchons, les générateurs, les ampoules, les piles et le carburant ou combustible
- LES DOMMAGES ACCESSOIRES OU INDIRECTS, LES FAUX FRAIS ET LES DOMMAGES MATÉRIELS. CERTAINS ÉTATS ET CERTAINES PROVINCES INTERDISENT D'EXCLURE OU DE LIMITER LES DOMMAGES ACCESSOIRES OU INDIRECTS, DE SORTE QUE VOUS POUVEZ NE PAS ÊTRE ASSUJETTI AUX LIMITES OU EXCLUSIONS ÉNONCÉES CI-DESSUS.

### GARANTIES IMPLICITES

Les garanties implicites, statutaires ou autres, y compris les garanties implicites de qualité commerciale ou de convenance à un usage particulier, sont limitées à la durée et aux conditions des garanties explicites énoncées dans la présente. Certains États et certaines provinces interdisent d'exclure ou de limiter la durée d'application de la garantie implicite, de sorte que vous pouvez ne pas être assujetti aux limites ou exclusions énoncées ci-dessus.

Cette garantie vous confère des droits juridiques précis et vous pouvez avoir d'autres droits, ces droits variant d'un État ou d'une province à l'autre.

### OBTENTION DU SERVICE PRÉVU PAR LA GARANTIE

Apportez l'article à un Centre de service agréé Coleman. S'il n'y a pas de centre de service facile d'accès, fixez une étiquette sur l'article précisant votre nom, votre adresse, votre numéro de téléphone et la description de la défectuosité. Veuillez inclure une copie du reçu d'achat original. Emballez soigneusement l'article et expédiez-le par UPS ou par la poste en **port et assurance payés** : aux ÉTATS-UNIS, à The Coleman Company Inc., 3600 N. Hydraulic, Wichita, KS 67219, ou au CANADA, à Sunbeam Corporation (Canada) Limited, 5975 Falbourne Street, Mississauga (Ontario) L5R 3V8. N'envoyez aucun produit dont le réservoir contienne du carburant ou fixé à une cartouche de GPL. Enlevez en outre le globe en verre des lanternes.

Si vous habitez ailleurs qu'aux États-Unis ou au Canada, retournez cet article où vous l'avez acheté, ou à tout autre détaillant de produits Coleman similaires, et demandez que l'on vous fournisse la réparation dans le cadre de la garantie. Si vous êtes incapable d'obtenir ce service, adressez-vous à l'un des bureaux Coleman suivants :

[www.coleman.com](http://www.coleman.com)

[www.colemancanada.ca](http://www.colemancanada.ca)

#### Produits achetés aux États-Unis :

The Coleman Co., Inc.  
3600 N. Hydraulic  
Wichita, KS 67219 U.S.A.  
1-800-835-3278  
TDD: 316-832-8707

#### Produits achetés au Canada :

Sunbeam Corporation (Canada) Limited  
5975 Falbourne Street  
Mississauga (Ontario)  
Canada L5R 3V8  
1 800 387-6161



# Calefactor Catalítico de Butano/Propano Mixto

## INSTRUCCIONES PARA SU USO

U.S.A. y otras Patentes Pendientes  
© 2003 The Coleman Company, Inc.  
[www.coleman.com](http://www.coleman.com)

### IMPORTANTE

Lea cuidadosamente este manual antes del armado, usarlo o de hacer el mantenimiento de este calefactor. Guarde este manual para futuras referencias. Si tiene usted preguntas acerca de ensamblaje, funcionamiento, servicio de mantenimiento o reparación de este calefactor, por favor llame a Coleman al 1-800-835-3278 o TDD: 316-832-8707. En Canadá llame al 1-800-387-6161.



Modelo 5034-700  
Series de Butano/Propano Mixto



CAN1-11.3-M79 Calentador para Campamento

## Contenido

Información General de Seguridad  
Para Armar  
Para Encender  
Para Apagar  
Para Almacenar  
Cosas Que Debe Saber  
Lista de Piezas de Reemplazo  
Garantía

## Información General de Seguridad

### PARA SU SEGURIDAD

Si usted huele gas:




1. No intente encender el dispositivo.
2. Extinga cualquier llama abierta.
3. Desconecte el supridor de combustible.

### PARA SU SEGURIDAD

No almacene o use gasolina u otros líquidos que contengan vapores inflamables cerca de este calefactor o algún otro dispositivo.

## PELIGRO

- ESTE APARATO CONSUME AIRE
- Cuando se use en cualquier área cerrada, facilite un espacio libre de por lo menos de tres pulgadas cuadradas (19 centímetros cuadrados) para el aire fresco.
- No haga funcionar nunca el calentador mientras esté durmiendo.
- No use otros aparatos de combustión en un sitio cerrado.

Este manual contiene información importante acerca del ensamblaje, funcionamiento y mantenimiento de este calefactor. Información general de seguridad es presentada en las primeras páginas de este manual y también está localizada a través del mismo manual. Preste particular atención a la información que está acompañada de los símbolos de seguridad de alerta: “ PELIGRO”, “ ADVERTENCIA”, “ CUIDADO”.

Guarde este manual como referencia para ser usado en el futuro y para educar todo usuario sin experiencia acerca de este producto. Este manual debe ser leído en conjunto con la etiqueta del producto.

Las precauciones de seguridad son esenciales cuando cualquier equipo mecánico o de LPG (Gas de Petróleo Licuado) esté envuelto. Estas precauciones son necesarias para el uso, almacenamiento o compostura. Si usa este producto con el respeto y cuidado aquí demandado podrá reducir las posibilidades de lesiones a la persona o daño a la propiedad.

Los siguientes símbolos mostrados se usan extensamente a lo largo de este manual. Siempre preste atención a estas precauciones, ya que son esenciales con el uso de cualquier equipo mecánico o que requiere combustible.

## Información General de Seguridad *cont.*

### PELIGRO

PELIGRO indica una situación peligrosa inminente la cual, si no es prevenida, resultará en muerte o lesiones serias.

### ADVERTENCIA

ADVERTENCIA indica una probable situación peligrosa la cual, si no es prevenida, resultará en muerte o lesiones serias.

### CUIDADO

CUIDADO indica una probable situación peligrosa la cual, si no es prevenida, puede resultar en lesiones menores o moderadas o en daño a la propiedad.

### PELIGRO

El incumplimiento con las precauciones e instrucciones provistas con este calefactor puede resultar en muerte, lesiones graves en el cuerpo y pérdida de la propiedad o daño por los peligros de fuego, explosión, quemadura y/o asfixia.

Solamente las personas quienes puedan entender y seguir las instrucciones deberán usar o reparar este calefactor.

## PELIGRO



### • EXPLOSION - RIESGO DE FUEGO

- Nunca almacene LPG (Gas de Petróleo Licuado) cerca de calor intenso, llamas, mechas de piloto, luz del sol directa, otras fuentes de encendido o donde la temperatura exceda 120 grados F (49°C).
- LPG (Gas de Petróleo Licuado) es más pesado que el aire y se acumula en lugares bajos. Si usted huele gas, abandone el lugar inmediatamente.
- No instale o cambie nunca el cilindro de LPG (Gas de Petróleo Licuado) mientras el calefactor catalítico esté encendido, cerca de una llama, llamas de piloto, otras fuentes de encendido o mientras el calefactor catalítico esté caliente al tacto.
- Durante el funcionamiento, este producto puede ser una fuente de encendido. No use nunca el calefactor catalítico en sitios que contengan o puedan contener combustibles volátiles o transmitidos por el aire, o productos tales como gasolina, disolventes, disolventes de pintura, partículas de polvo o químicos desconocidos. Márgenes de espacios mínimos de los materiales: 18 pulgadas (45.7cm.).
- Provea un margen de espacio adecuado alrededor de las aperturas de aire que van a la cámara de combustión.

### ADVERTENCIA

No podemos prever cada uso que pueda hacerse con nuestros productos. **Consulte con su autoridad local de seguridad contra incendios si tiene alguna pregunta respecto al uso.**

Otras normas determinan el uso de combustibles y de productos que producen calor para usos específicos. Sus autoridades locales pueden aconsejarle con estos.

- Nunca rellene los tanques desechables de LPG (Gas de Petróleo Licuado)
- Use el regulador preprogramado que viene con el calefactor catalítico. No intente regularlo.

### **ADVERTENCIA**

- Este producto utiliza combustible de LPG (Gas de Petróleo Licuado). El LPG es invisible, no tiene olor y es inflamable. Normalmente, un odorante es añadido al gas para ayudar a detectar escapes y este olor puede ser descrito como un olor a “huevo podrido.” El odorante se puede disipar con el tiempo de modo que un escape de gas no siempre se puede detectar por el olor solamente.
- LPG (Gas de Petróleo Licuado) es más pesado que el aire y escapes de LPG descenderán al nivel más bajo del suelo posible. Puede encenderse con fuentes de encendido incluyendo fósforos, encendedores, chispas o llamas abiertas de cualquier tipo aunque estén a muchos metros de distancia del escape original. Use solamente LPG preparado para separación de vapor.
- El LPG (Gas de Petróleo Licuado) debe ser almacenado y usado en conformidad con las ordenanzas y códigos locales o con “ANSI/NFPA 58”. Apague el LPG cuando no lo esté usando.

#### **PROPOSICION DE CALIFORNIA 65:**

ADVERTENCIA: Propano y productos derivados de combustión de propano contienen químicos conocidos en el estado de California de ser causantes de cáncer, defectos de parto, u otros daños reproductivos.

### **ADVERTENCIA**



#### **• RIESGO DE QUEMADURAS**

- No deje nunca el calefactor catalítico desatendido cuando esté caliente o en uso.
- Manténgalo alejado del alcance de los niños.

### **CUIDADO**

#### **• SEGURIDAD DE SERVICIO**

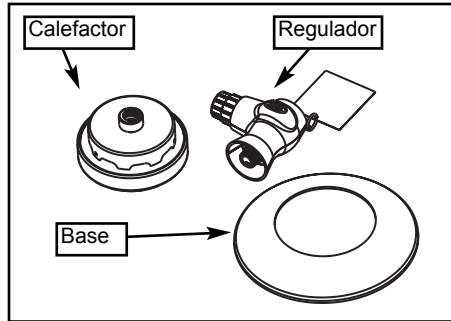
- Mantenga limpias todas las conexiones y uniones. Inspeccione el cilindro de LPG (Gas de Petróleo Licuado) y las conexiones de propano del calefactor catalítico antes de conectarlos por si estuvieran dañados.
- Durante el montaje, verifique que las conexiones y las juntas no tengan escapes usando agua con jabón. Nunca use una llama. La presencia de burbujas indica una fuga. Verifique que la conexión no esté mal enroscada y que esté bien apretada. Conduzca otra prueba de fugas. Si todavía existe una fuga, quite el cilindro y póngase en contacto con Coleman para servicio o reparaciones.
- Úselo solamente como un aparato calefactor. No altere nunca de ninguna manera o uso con cualquier artefacto o repuesto no diseñado específicamente y vendido para este producto.



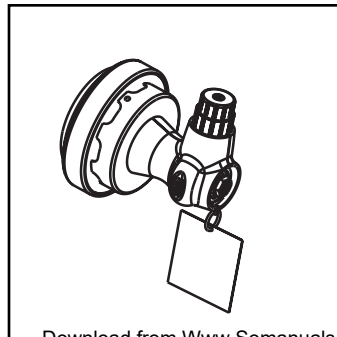
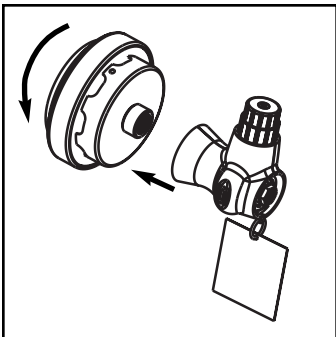
## Para Armar

NOTA: Use solamente cilindros desechables de 7 3/4 onzas (219.7gr). No lo conecte a los sistemas de tanques de LPG (Gas de Petróleo Licuado). Los cilindros de LPG usados con los calefactores catalíticos deben ser construidos y marcados de acuerdo con las especificaciones para los cilindros de LPG del Departamento de Transportes de los Estados Unidos o del *Transporte del Canadá, CAN/CSA B339*.

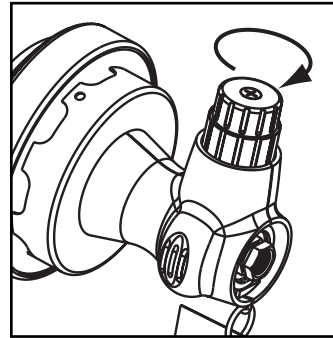
■ La unidad incluye Ensamblaje del calefactor, Ensamblaje del Regulador y la Base. El tanque de LPG no está incluido.



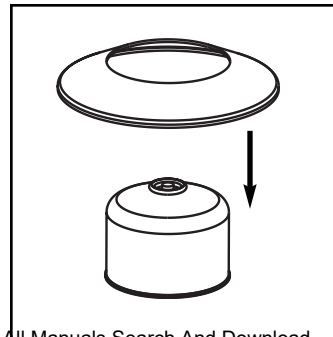
■ Conecte el Ensamblaje del Calefactor al Ensamblaje del Regulador apretando a mano.



■ Gire la VALVULA del CALEFACTOR a CERRADO (OFF).



■ Coloque el cilindro de combustible en una superficie solida. Presione la Base sobre el cilindro de combustible

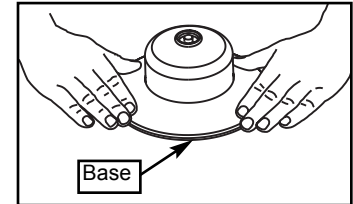


## ! CUIDADO

### • SEGURIDAD DE SERVICIO

- Mantenga limpias todas las conexiones y los terminales. Inspeccione el cilindro de LPG (Gas de Petróleo Licuado) y las conexiones de LPG del calefactor catalítico antes de conectarlos por si estuvieran dañados.
- Mientras lo arma, usando agua jabonosa revise todas las conexiones y los terminales por si hubiera fugas. Si hay burbujas indican que hay una fuga. No use nunca una llama.

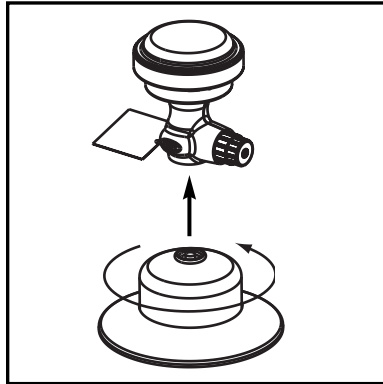
■ Use ambas manos para presionar la base firmemente en su lugar.



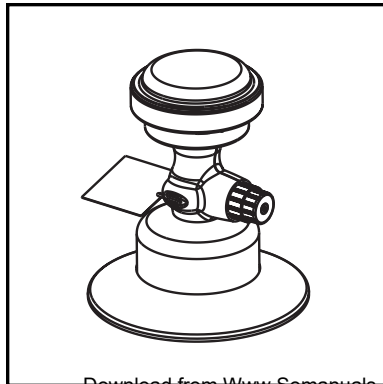
**Nota:** Si usa el calefactor sin la Base del cilindro de combustible anulará la conformidad con **CAN1-11.3-M79**.

## Para Armar *cont.*

- Conecte el CILINDRO al CALEFACTOR al aire libre.



- Ponga el CALEFACTOR como se muestra sobre una superficie plana.



## Para Encender

### PELIGRO



#### • EXPLOSIÓN - RIESGO DE FUEGO

- El LPG (Gas de petróleo Licuado) es más pesado que el aire y se puede acumular en los lugares bajos. Si usted huele gas, abandone el área inmediatamente.
- Conecte o desconecte siempre las fuentes de LPG al aire libre; nunca lo haga mientras el calefactor esté encendido, cerca de una llama, fuegos de piloto, otras fuentes de encendido o cuando el calefactor esté caliente al tacto.
- Este calefactor se pone al rojo vivo cuando está usándose y puede encender artículos inflamables cerca del quemador. Mantenga los artículos inflamables por lo menos a 18 pulgadas (45.7cm.) por los lados y a 18 pulgadas (45.7cm.) por arriba del calefactor. Mantenga la gasolina y otros líquidos y vapores inflamables bastante alejados del calefactor.

### ADVERTENCIA



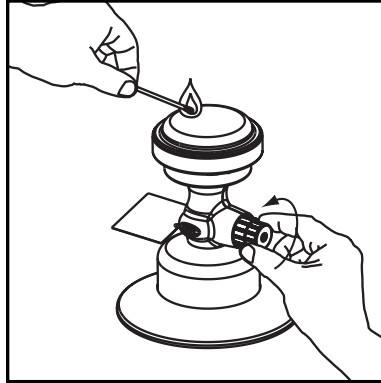
#### • PELIGRO DE QUEMADURAS

- No deje nunca el calefactor desatendido cuando esté caliente o en uso.
- Manténgalo fuera del alcance de los niños.

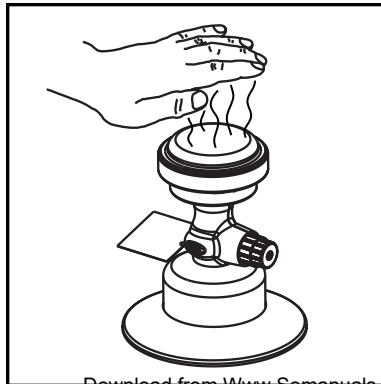
## Para Encender *cont.*

■ Sostenga el fósforo como se muestra. Gire la válvula a la posición de ENCENDIDO "LIGHT" y manténgala de 8-10 segundos.

■ El calefactor se encenderá con una llama brevemente visible. Continúe manteniendo la VALVULA en la posición de ENCENDIDO "LIGHT" por unos 10 segundos adicionales. Suelte las perilla. Esta volverá a la posición de FUNCIONAMIENTO "ON". El calefactor NO es regulable.



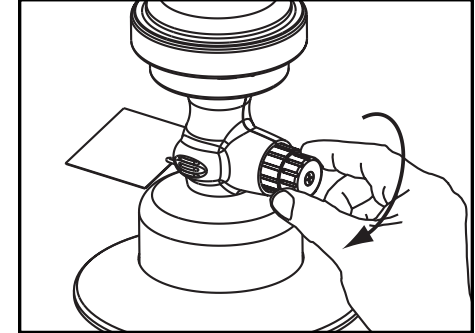
■ NOTA: El calefactor está diseñado para ser encendido con la válvula completamente abierta hasta que alcance todo su potencial de calefacción. Observe el aumento de calor por algunos minutos para asegurarse que el calefactor está encendido. Si el calefactor no alcanza a desarrollar suficiente calor, gire la perilla del calefactor a APAGADO "OFF" y repita el procedimiento de encendido.



## Para Apagar

■ Gire la VALVULA de COMBUSTIBLE a APAGADO "OFF".

■ Permita que el CALEFACTOR se enfríe de 10-15 minutos.



## Para Almacenar



# PELIGRO

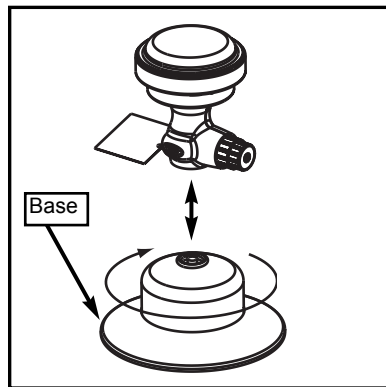


### • EXPLOSIÓN - RIESGO DE FUEGO

- Nunca guarde los cilindros de LPG (Gas de Petróleo Licuado) cerca de calor excesivo, llamas expuestas, pilotos encendidos, luz solar directa, otras fuentes de encendido o cuando las temperaturas excedan de 120 grados F (49°C).

## Para Almacenar *cont.*

- Asegúrese que el calefactor esté frío.
- Lleve la unidad al aire libre y lejos de cualquier fuente de encendido. Quite el cilindro de LPG (Gas de Petróleo Licuado) del calefactor.
- La Base se quita para guardarlo.



## Cosas que debe saber

1. Este es un calefactor catalítico. La combustión ocurre dentro a una temperatura mas baja que una llama normal debido al platino distribuido equitativamente. Sin embargo, el escudo de calor y el borde del quemador se calientan lo suficiente como para quemar a una persona. Tenga cuidado.
2. No utilice el calefactor para cocinar o calentar artículos, esto puede destruir la combustión y el catalizador. Este calefactor tiene una temperatura de combustión baja (sin llama) pero aun así puede quemar ropa, bolsas de dormir, etc. si estas caen en la superficie del quemador.
3. Para evitar daños al catalizador, no permita que el colchón de calor esté en contacto o cerca de cremas de mano de bases de silicio, pinturas, etc.
4. No toque el colchón de fibra de cerámica gris de la cabeza y no le haga agujeros.
5. No intente limpiar el ensamblaje de la cabeza.
6. Para servicio de reparación, llame a uno de los números abajo listados para obtener la ubicación del Centro de Servicio Coleman más cercano. Si es necesario que envíe el calefactor al Centro de Servicio, adhiera al producto su nombre, dirección y una descripción del problema y envíelo al Centro de Servicio ya sea por UPS o por correo con porte y seguro pre-pagado. *No envíe los cilindros de LPG (Gas de Petróleo Licuado) por correo.* Si es necesario escribirle al Centro de Servicio o a la fabrica, haga referencia de su calefactor usando el número de modelo.
7. Si no se encuentra totalmente satisfecho con el funcionamiento de esta unidad, sírvase llamar a cualquiera de los números indicados a continuación.
8. Es común en el caso de cualquier artefacto de calefacción, que una pequeña cantidad de humo pueda ser percibida durante la operación inicial cuando se calientan los residuos de aceite usados en la fabricación. Esto es normal. Coleman sugiere que el dueño haga funcionar el calefactor por 30 minutos inicialmente. Esto le permitirá también familiarizarse con las características del calefactor.

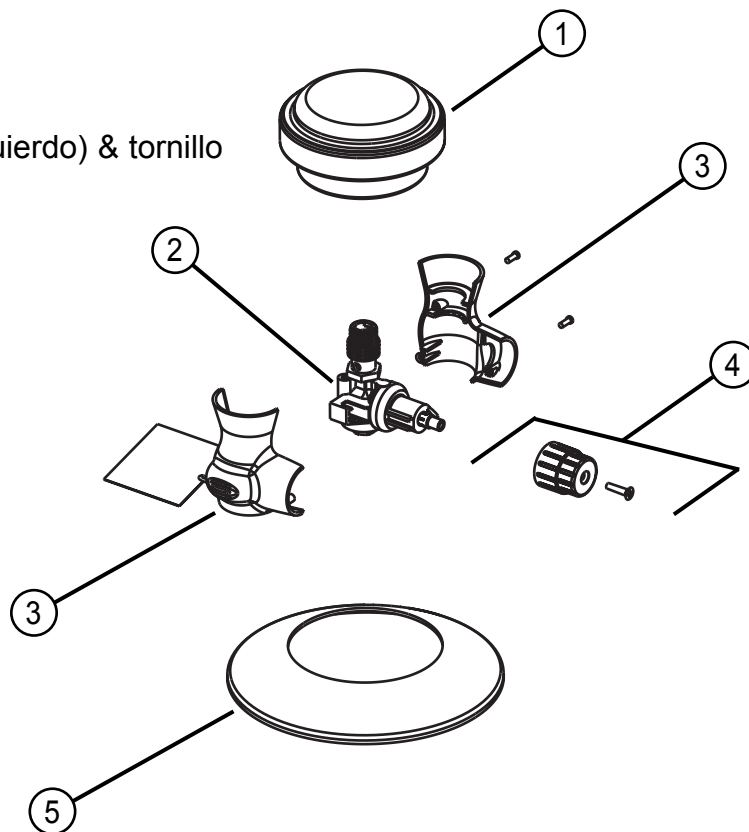
The Coleman Co., Inc.  
3600 N. Hydraulic  
Wichita, KS 67219 U.S.A.  
1-800-835-3278  
TDD: 316-832-8707

Sunbeam Corporation (Canada) Limited  
5975 Falbourne Street  
Mississauga, Ontario  
Canada L5R 3V8  
800 387-6161

[www.coleman.com](http://www.coleman.com)

## Lista de Piezas de Reemplazo

No.	No. de Pieza	Descripción
1	5034-2021	Ensamblaje del Calefactor
2	R5034-525J	Ensamblaje del Regulador
3	5034-6711	Ens. del Collar (derecho/izquierdo) & tornillo
4	5034-1261	Perilla de Control & tornillo
5	5034-1231	Base



## Garantía Limitada Coleman de Cinco Años

Coleman, a su discreción reparará o reemplazará este producto o cualquier componente del producto que esté defectuoso durante un período de 5 años después de la compra original. Esta garantía es válida para el comprador original desde la fecha de la compra inicial y no es transferible. Guarde su recibo de compra original. La prueba del recibo de compra es requerido para obtener la ejecución de la garantía. Los comerciantes de Coleman, centros de servicios o las tiendas al por menor que venden productos Coleman no tienen el derecho de alterar, modificar o cambiar de ninguna otra manera los términos y condiciones de esta garantía.

### LO QUE NO ESTA CUBIERTO

- Costo de envío a Coleman
- Desgaste normal, incluyendo desportillados, rayaduras, abrasiones, descoloraciones o pérdida gradual de color por el uso o exposición a la luz del sol
- Daños causados por uso incorrecto, abuso, negligencia, alteraciones, reparaciones hechas por personas no autorizadas, uso de piezas o accesorios que no sean de la marca Coleman o el no seguir las instrucciones de cuidado y mantenimiento
- Productos usados para propósitos comerciales o en instituciones con fines lucrativos o no lucrativos u operaciones de alquiler
- Mantillas, generadores, bombillas, pilas o combustible
- DAÑOS CONSIGUIENTES, DAÑOS INCIDENTALES O GASTOS, INCLUYENDO DAÑOS A LA PROPIEDAD. ALGUNOS ESTADOS/PROVINCIAS NO PERMITEN LA EXCLUSIÓN O LIMITACIÓN DE DAÑOS INCIDENTALES O CONSIGUIENTES, POR LO TANTO LAS LIMITACIONES O EXCLUSIONES ARRIBA MENCIONADAS PUEDE QUE NO SEAN APLICABLES A USTED.

### GARANTIAS IMPLICADAS

Cualquier garantía implicada, ya sea legal o de otro modo, incluyendo garantías implicadas de mercadeo y adaptabilidad para un propósito en particular, debe ser limitada a la duración y términos de las garantías expresas descritas en esta garantía limitada. Algunos estados/provincias no permiten limitaciones en cuanto a la duración de una garantía implicada, por lo tanto las limitaciones arriba mencionadas puede que no sean aplicables a usted.

Esta garantía le provee derechos legales específicos y además puede que usted tenga otros derechos que varían de estado a estado o de provincia a provincia.

### COMO OBTENER LOS SERVICIO DE GARANTIA

Lleve el producto a un Centro de Servicio Coleman autorizado. Si no encuentra uno localizado convenientemente, adhiera una etiqueta al producto que incluya su nombre, dirección, número de teléfono y una descripción del problema. Incluya una copia del recibo de compra original. Empaque el producto cuidadosamente y envíelo por UPS or por correo con porte y seguro pre-pagado a: EUA: The Coleman Company Inc., 3600 N. Hydraulic, Wichita, KS 67219, or CANADA: Sunbeam Corporation (Canada) Limited, 5975 Falbourne Street, Mississauga, Canada L5R 3V8. Haga el favor de no enviar productos con combustible en los tanques o con cilindros de LPG desechables. Quite los globos de cristal del las linternas.

Si usted se encuentra fuera de los Estados Unidos o Canadá, devuelva este producto al lugar donde lo compró, o a cualquier otra tienda donde vendan productos Coleman similares y pida asistencia con la garantía. Si no puede obtener asistencia con la garantía, entonces llame a una de las oficinas Coleman para que lo asistan:

[www.coleman.com](http://www.coleman.com)

**Para productos comprados en los Estados Unidos:**  
The Coleman Co., Inc.  
3600 N. Hydraulic  
Wichita, KS 67219 U.S.A.  
1-800-835-3278  
TDD: 316-832-8707

**Para productos comprados en Canadá:**  
Sunbeam Corporation (Canada) Limited  
5975 Falbourne Street  
Mississauga, Ontario  
Canada L5R 3V8  
1 800 387 6161





The Coleman Co., Inc. • 3600 N. Hydraulic • Wichita, KS 67219 U.S.A.  
1-800-835-3278 • TDD: 316-832-8707

Sunbeam Corporation (Canada) Limited • 5975 Falbourne Street  
Mississauga, Ontario, Canada L5R 3V8 • 1 800 387-6161

©2003 The Coleman Company, Inc. All rights reserved.  
Coleman® is a registered trademark of The Coleman Company, Inc.

©2003 The Coleman Company, Inc. Tous droits réservés.  
Coleman® est une marque déposée de The Coleman Company, Inc.

©2003 The Coleman Company, Inc. Derechos Reservados  
Coleman® es una marca registrada de la Compañía Coleman, Inc.



## Free Manuals Download Website

<http://myh66.com>

<http://usermanuals.us>

<http://www.somanuals.com>

<http://www.4manuals.cc>

<http://www.manual-lib.com>

<http://www.404manual.com>

<http://www.luxmanual.com>

<http://aubethermostatmanual.com>

Golf course search by state

<http://golfingnear.com>

Email search by domain

<http://emailbydomain.com>

Auto manuals search

<http://auto.somanuals.com>

TV manuals search

<http://tv.somanuals.com>