

SNMP / SERIAL PORT CARD OPTION KIT

Quick Installation Guide

*Open Guide Completely Before
Beginning Installation Procedures*



Printed on recycled paper

NOTICE

The information in this publication is subject to change without notice.

COMPAQ COMPUTER CORPORATION SHALL NOT BE LIABLE FOR TECHNICAL OR EDITORIAL ERRORS OR OMISSIONS CONTAINED HEREIN, NOR FOR INCIDENTAL OR CONSEQUENTIAL DAMAGES RESULTING FROM THE FURNISHING, PERFORMANCE, OR USE OF THIS MATERIAL. THIS INFORMATION IS PROVIDED "AS IS" AND COMPAQ COMPUTER CORPORATION DISCLAIMS ANY WARRANTIES, EXPRESS, IMPLIED OR STATUTORY AND EXPRESSLY DISCLAIMS THE IMPLIED WARRANTIES OF MERCHANTABILITY, FITNESS FOR PARTICULAR PURPOSE, GOOD TITLE AND AGAINST INFRINGEMENT.

This publication contains information protected by copyright. No part of this publication may be photocopied or reproduced in any form without prior written consent from Compaq Computer Corporation.

© 2000 Compaq Computer Corporation

Compaq, Compaq Insight Manager, SmartStart
Registered U.S. Patent and Trademark Office.

COMPAQ SNMP / SERIAL PORT CARD OPTION KIT
QUICK INSTALLATION GUIDE

Second Edition (November 2000)
Part Number 201544-022



201544- 022

Compaq Computer Corporation

About This Device

This guide serves as an outline to assist qualified personnel with the installation of the Compaq SNMP / Serial Port Card.



Important Safety Information Read Before Installing Product

Please refer to the *Important Safety Information* (included in your UPS Kit) before installing this product.



WARNING: There is a risk of personal injury from electrical shock and hazardous energy levels. The installation of options and routine maintenance and service of this product must be performed by individuals who are knowledgeable about the procedures, precautions, and hazards associated with AC Power Products.

IMPORTANT SAFETY INSTRUCTIONS

SAVE THESE INSTRUCTIONS - This Quick Installation Guide contains important instructions that should be followed during installation and maintenance of the UPS option.

NOTE: The rating label on the device provides the class (A or B) of the equipment. Class B devices have a Federal Communications Commission (FCC) logo or identification (ID) number on the label. Class A devices do not have an FCC logo or ID on the label. After you determine the class of the device, refer to the appropriate UPS Operation and Reference Guide section of the Power Products Documentation CD for complete regulatory compliance notices.

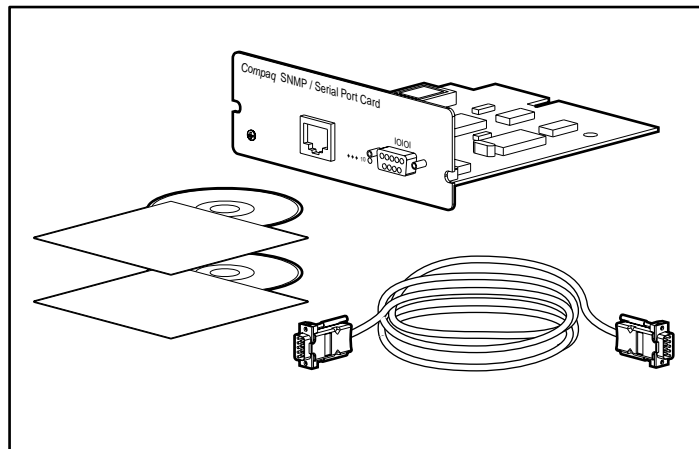
System Compatibility

The Compaq SNMP / Serial Port Card can be used with all Compaq UPS XR Uninterruptible Power System (UPS) models.

Installation

1 Identifying the Contents of the Option Kit

The SNMP / Serial Port Card Option Kit contains the following items:



- SNMP / Serial Port Card
- Configuration cable (Compaq part number 291092-002)
- Compaq Power Products Documentation CD containing the:
 - Compaq SNMP / Serial Port Card Reference Guide*
 - Compaq Power Products Software Reference Guide*
- Compaq power management communication software CD

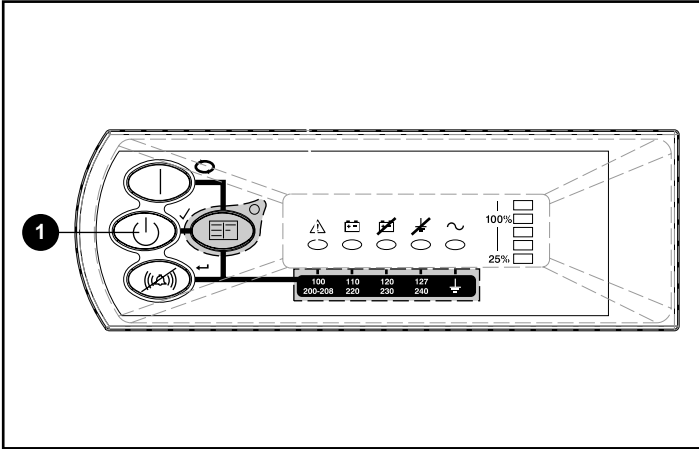
You will also need to provide your own #2 Phillips screwdriver.

2 Installing Compaq Power Management Communications Software

Install the Compaq power management communication software following the instructions included in the SNMP / Serial Port Card Option Kit.

3 Installing the SNMP / Serial Port Card

1. Perform a normal system shutdown on all devices connected to the host UPS in which you are installing the SNMP / Serial Port Card.
2. Place the UPS in Standby mode (from Operate mode or Configure mode) by pressing the STANDBY button (1) as shown below.

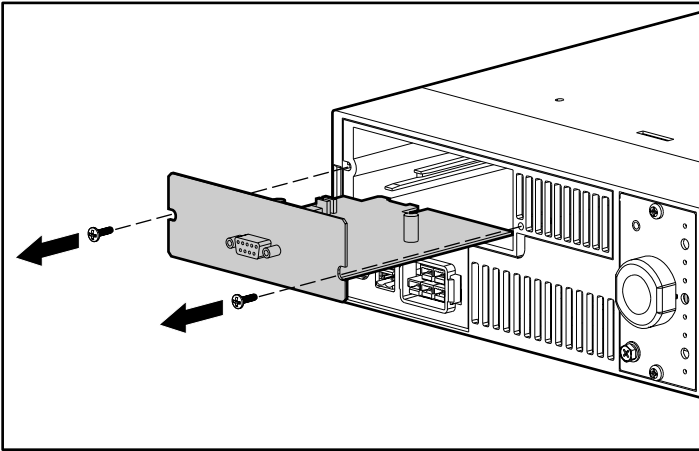


3. Disconnect all devices connected to the UPS receptacles and unplug the UPS.

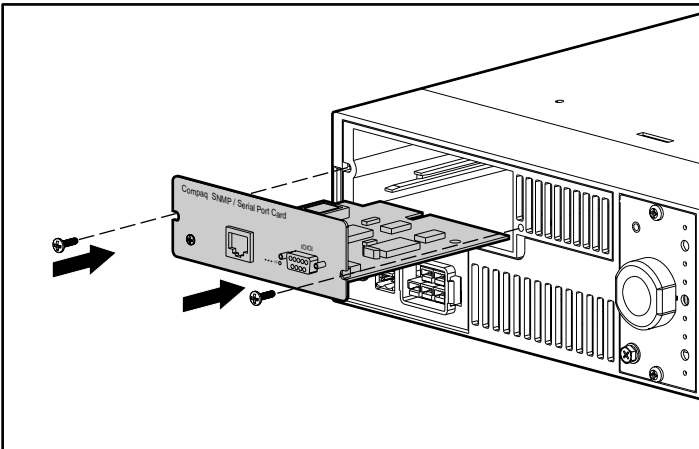


WARNING: To reduce the risk of personal injury from electric shock, disconnect all loads from the UPS receptacles before unplugging the UPS. Avoid operating the UPS while it is disconnected from the source of electrical power.

4. Remove the Serial Port Card located on the rear of the UPS.



5. Install the SNMP / Serial Port Card. Take care to seat it properly.

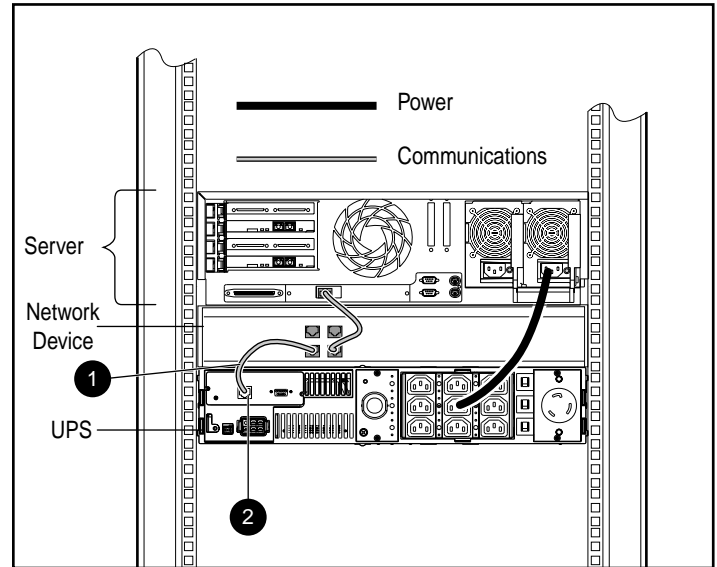


4 Reconnecting All Devices

Reconnect network devices to the UPS and power up the UPS.

5 Connecting to Network

Plug one end of an Ethernet network cable (1) into the RJ-45 connector (2) on the SNMP / Serial Port Card. Plug the other end into an appropriate port on your network device.



- 1 Ethernet network cable 2 RJ-45 connector on SNMP / Serial Port Card

6 Configuring the SNMP / Serial Port Card

Configure the SNMP / Serial Port Card using the instructions in the *Compaq SNMP / Serial Port Card Reference Guide* (provided on the Power Products Documentation CD).

Installation is Complete.

- Before the SNMP / Serial Port Card can be configured, Compaq power management communication software must be installed on every server or workstation protected by the host UPS. To install the software, please refer to the "Configuration" section of the *SNMP / Serial Port Card Reference Guide* (included on the Power Products Documentation CD).
- For information on operating the SNMP / Serial Port Card, please refer to the "Operation" section of the power management communication software guide (included on the Power Products Documentation CD).
- Use the Compaq website as an additional information source by logging onto the Internet at www.compaq.com.

Free Manuals Download Website

<http://myh66.com>

<http://usermanuals.us>

<http://www.somanuals.com>

<http://www.4manuals.cc>

<http://www.manual-lib.com>

<http://www.404manual.com>

<http://www.luxmanual.com>

<http://aubethermostatmanual.com>

Golf course search by state

<http://golfingnear.com>

Email search by domain

<http://emailbydomain.com>

Auto manuals search

<http://auto.somanuals.com>

TV manuals search

<http://tv.somanuals.com>