

SERVICE MANUAL



*US Model
Canadian Model
UK Model
AEP Model
N. Hemisphere Model
S. Hemisphere Model
Australian Model*

Chassis No. SCC-L07E-A

D-1H CHASSIS

SPECIFICATIONS

Picture tube	0.25 mm aperture grill pitch 17 inches measured diagonally 90-degree deflection	Power Consumption Maximum Nominal	115W 100W, 341 BTU/h
Video image area	(16" maximum viewing image) Approx. 329.5 x 243 mm (w/h) (13 x 9 ^{5/8} inches)	Deflection frequency	Horizontal: 30 to 85 KHz Vertical: 50 to 150 Hz
Max. resolution	Horizontal: Max. 1280 dots Vertical: Max. 1024 lines (at 75 Hz Refresh Rates)	AC input voltage / current	100 to 120 V, 50/60 Hz, 1.8 A 220 to 240V, 50/60Hz, 1A
Standard image area	Approx. 306 x 230 mm (w/h)(Mode 1-13) Approx. 294 x 231 mm (w/h)(Mode 14-15)	Dimensions	424 x 422 x 428 (w/h/d) (16.7 x 16.6 x 16.9 inches)
Input signal		Mass	Approx. 18.48 kg (40.8 lb.)
Video	Analog RGB (75 ohms typical) 0.7 Vp-p, Positive		
Sync	External HD/VD, Composite Polarity Free TTL Video Composite (Sync on Green) 0.286 Vp-p, Negative		

Design and specifications are subject to change without notice.

COLOR MONITOR
COMPAQ

POWER SAVING FUNCTION

This monitor has three Power Saving modes.
By sensing the absence of a video signal from the computer, it reduces power consumption as follows:

NOTE:

If no video signal is input to the monitor, the "NO INPUT SIGNAL" message appears. After about 30 seconds, the Power Saving function automatically puts the monitor into active-off mode and the indicator lights up orange. Once the monitor detects horizontal and vertical sync signals, the monitor automatically resumes normal operation mode.

	State	Power Consumption	Required Recovery Time	Power Indicator
1	Normal Operation	≤110W	-----	Green on
2	Standby (1st mode)	≤15W	approx. 3 sec.	Yellow
3	Suspend (2nd mode)	≤15W	approx. 3 sec.	Yellow
4	Active-off (3rd mode)	≤8W	approx. 10 sec.	Amber
5	Power-off	0W	-----	Off
6	Failure mode	-----	-----	Orange flashing

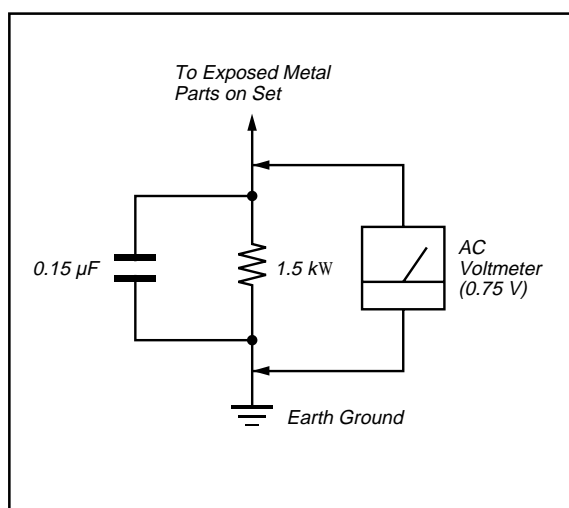
TIMING SPECIFICATION

MODE	1	2	3	4	5	6	7	8	9	10	11	12	13	14	15
Resolution (H x V)	640x350	640x480	640x480	640x480	720x400	800x600	800x600	800x600	832x624	1024x768	1024x768	1024x768	1152x870	1280x1024	1280x1024
Dot Clock (MHz)	25.175	25.175	31.500	36.000	28.321	40.000	49.500	56.250	57.283	65.000	78.750	94.500	100.000	108.000	135.000
HORIZONTAL															
Hor. Freq. (kHz)	31.469	31.469	37.500	43.269	31.468	37.879	46.875	53.674	49.725	48.363	60.023	68.677	68.681	63.981	79.976
H-Total	31.778	31.778	26.667	23.111	31.779	26.400	21.333	18.631	20.111	20.677	16.660	14.561	14.560	15.630	12.504
H-Blanking	6.356	6.356	6.349	5.333	6.356	6.400	5.172	4.409	5.586	4.923	3.657	3.725	3.040	3.778	3.022
H-Front Porch	0.636	0.636	0.508	1.556	0.636	1.000	0.323	0.569	0.559	0.369	0.203	0.508	0.320	0.444	0.119
H-Sync.	3.813	3.813	2.032	1.556	3.813	3.200	1.616	1.138	1.117	2.092	1.219	1.016	1.280	1.037	1.067
H-Back Porch	1.907	1.907	3.810	2.222	1.907	2.200	3.232	2.702	3.910	2.462	2.235	2.201	1.440	2.296	1.837
H-Active (msec)	25.422	25.422	20.317	17.778	25.423	20.000	16.162	14.222	14.524	15.754	13.003	10.836	11.520	11.852	9.481
VERTICAL															
Ver. Freq. (Hz)	70.086	59.940	75.000	85.008	70.084	60.317	75.000	85.061	74.550	60.004	75.029	84.997	75.062	60.020	75.025
V-Total	449	525	500	509	449	628	625	631	667	806	800	808	915	1066	1066
V- Blanking	99	45	20	29	49	28	25	31	43	38	32	40	45	42	42
V-Front Porch	38	10	1	1	12	1	1	1	1	3	1	1	3	1	1
V-Sync.	2	2	3	3	2	4	3	3	3	6	3	3	3	3	3
V- Back Porch	59	33	16	25	35	23	21	27	39	29	28	36	39	38	38
V-Active (lines)	350	480	480	480	400	600	600	600	624	768	768	768	870	1024	1024
SYNC.															
Int(G)	NO	NO	NO	NO	NO	NO	NO	NO	NO	NO	NO	NO	NO	NO	NO
Ext(H/V)/Polarity	YES +/-	YES -/-	YES -/-	YES -/-	YES -/+	YES +/-	YES +/-	YES +/-	YES +/-	YES +/-	YES +/-	YES +/-	YES +/-	YES +/-	YES +/-
Ext (CS)/Polarity	NO	NO	NO	NO	NO	NO	NO	NO	NO	NO	NO	NO	NO	NO	NO
Int/Non_Int	Non Int	Non Int	Non Int	Non Int	Non Int	Non Int	Non Int	Non Int	Non Int	Non Int	Non Int	Non Int	Non Int	Non Int	Non Int

SAFETY CHECK-OUT

After correcting the original service problem, perform the following safety checks before releasing the set to the customer:

1. Check the area of your repair for unsoldered or poorly-soldered connections. Check the entire board surface for solder splashes and bridges.
2. Check the interboard wiring to ensure that no wires are "pinched" or contact high-wattage resistors.
3. Check that all control knobs, shields, covers, ground straps, and mounting hardware have been replaced. Be absolutely certain that you have replaced all the insulators.
4. Look for unauthorized replacement parts, particularly transistors, that were installed during a previous repair. Point them out to the customer and recommend their replacement.
5. Look for parts which, though functioning, show obvious signs of deterioration. Point them out to the customer and recommend their replacement.
6. Check the line cords for cracks and abrasion. Recommend the replacement of any such line cord to the customer.
7. Check the B+ and HV to see if they are specified values. Make sure your instruments are accurate; be suspicious of your HV meter if sets always have low HV.
8. Check the antenna terminals, metal trim, "metallized" knobs, screws, and all other exposed metal parts for AC Leakage. Check leakage as described below.



LEAKAGE TEST

The AC leakage from any exposed metal part to earth ground and from all exposed metal parts to any exposed metal part having a return to chassis, must not exceed 0.5 mA (500 microampere). Leakage current can be measured by any one of three methods.

1. A commercial leakage tester, such as the Simpson 229 or RCA WT-540A. Follow the manufacturers' instructions to use these instructions.
2. A battery-operated AC milliammeter. The Data Precision 245 digital multimeter is suitable for this job.
3. Measuring the voltage drop across a resistor by means of a VOM or battery-operated AC voltmeter. The "limit" indication is 0.75 V, so analog meters must have an accurate low voltage scale. The Simpson's 250 and Sanwa SH-63Trd are examples of passive VOMs that are suitable. Nearly all battery operated digital multimeters that have a 2V AC range are suitable. (See Fig. A)

WARNING!!

NEVER TURN ON THE POWER IN A CONDITION IN WHICH THE DEGAUSS COIL HAS BEEN REMOVED.

SAFETY-RELATED COMPONENT WARNING!!
COMPONENTS IDENTIFIED BY SHADING AND MARK \triangle ON THE SCHEMATIC DIAGRAMS, EXPLODED VIEWS AND IN THE PARTS LIST ARE CRITICAL FOR SAFE OPERATION. REPLACE THESE COMPONENTS WITH SONY PARTS WHOSE PART NUMBERS APPEAR AS SHOWN IN THIS MANUAL OR IN SUPPLEMENTS PUBLISHED BY SONY. CIRCUIT ADJUSTMENTS THAT ARE CRITICAL FOR SAFE OPERATION ARE IDENTIFIED IN THIS MANUAL. FOLLOW THESE PROCEDURES WHENEVER CRITICAL COMPONENTS ARE REPLACED OR IMPROPER OPERATION IS SUSPECTED.

AVERTISSEMENT!!

NE JAMAIS METTRE SOUS TENSION QUAND LA BOBINE DE DEMAGNETISATION EST ENLEVEE.

ATTENTION AUX COMPOSANTS RELATIFS A LA SECURITE!!

LES COMPOSANTS IDENTIFIES PAR UNE TRAME ET PAR UNE MARQUE \triangle SUR LES SCHEMAS DE PRINCIPE, LES VUES EXPLOSEES ET LES LISTES DE PIECES SONT D'UNE IMPORTANCE CRITIQUE POUR LA SECURITE DU FONCTIONNEMENT. NE LES REMPLACER QUE PAR DES COMPOSANTS SONY DONT LE NUMERO DE PIECE EST INDIQUE DANS LE PRESENT MANUEL OU DANS DES SUPPLEMENTS PUBLIES PAR SONY. LES REGLAGES DE CIRCUIT DONT L'IMPORTANCE EST CRITIQUE POUR LA SECURITE DU FONCTIONNEMENT SONT IDENTIFIES DANS LE PRESENT MANUEL. SUIVRE CES PROCEDURES LORS DE CHAQUE REMPLACEMENT DE COMPOSANTS CRITIQUES, OU LORSQU'UN MAUVAIS FONCTIONNEMENT SUSPECTE.

TABLE OF CONTENTS

<u>Section</u>	<u>Title</u>	<u>Page</u>
1. GENERAL		5
2. DISASSEMBLY		
2-1.	Cabinet Removal	8
2-2.	Service Position	8
2-3.	A, D, H, S Board Removal	8
2-4.	Picture Tube Removal	9
3. SAFETY RELATED ADJUSTMENT		10
4. ADJUSTMENTS		11
5. DIAGRAMS		
5-1.	Block Diagram	15
5-2.	Circuit Boards Location	18
5-3.	Schematic Diagrams and Printed Wiring Boards	18
1.	D Board - Schematic Diagram	19
2.	A Board - Schematic Diagram	23
3.	H, S, U ₁ , U ₂ - Schematic Diagram	26
5-4.	Semiconductors	27
6. EXPLODED VIEWS		
6-1.	Chassis (US/CANADIAN, AEP, NH, SH, AUS models made in US)	29
6-2.	Chassis (AEP, UK models made in UK)	30
6-3.	Packing Materials	31
7. ELECTRICAL PARTS LIST		32

SECTION 1 GENERAL

The instructions given here are partial abstracts from the Operating Instruction Manual. The page numbers shown reflect those of the Operating Instruction Manual.

USB Connectors

The base of the monitor has two Universal Serial Bus (USB) connectors. Use USB connector ❶ to connect the USB signal cable* to the computer. Use USB Connector ❷ to connect USB compatible plug and play devices such as a keyboard, mouse, or joystick if supported by your computer. This feature provides USB pass-through and does not support USB host requirements.

CAUTION: This USB connector is not designed for use with high speed USB devices such as a video camera, scanner, etc. Compaq recommends connecting high speed devices directly to the computer.



These USB connectors operate as a pass-through system. Your computer must have a USB host controller installed for any USB-connected devices to operate.

CAUTION: To prevent deterioration of signal transfer or malfunction of USB devices, USB cables should not exceed the combined length of 9.75 feet (3 meters). This length includes both the USB signal cable and the USB peripheral cable.

Operating the Monitor



Front Control Panel

No./	Icon	Control	Function
1	●	Contrast	Adjusts contrast by turning control to left or right.
2	☀	Brightness	Adjusts brightness by turning control to left or right.
3	☰	Select button	1. Launches on-screen display. 2. Selects function adjustments. 3. Exits menus and on-screen display.
4	—	Minus button	Selects and adjusts the functions.
5	+	Plus button	Selects and adjusts the functions.
6	⏻	Power switch	Turns the monitor on and off.
7		Power LED	1. Green indicates monitor is turned on. 2. Yellow indicates suspend mode. 3. Amber indicates sleep mode.

On-Screen Display Settings

The adjustments for screen settings are located in the on-screen display and can be viewed in one of five available languages. The on-screen Main Menu displays the following ten functions:

Size and Position	Adjusts width, height, and horizontal and vertical positions of the screen.
Geometry	Adjusts pincushion, pincushion balance, trapezoid, parallelogram, and tilt.
Overscan	Zooms in and enlarges a selected portion of the screen.
Color	Displays the following selections for screen color temperature: 9300° K; 6500° K; Custom Color/Enhancement Color; and Convergence.
Enhancement	Enhances screen for screen presentations or viewing motion video applications.
Moiré	Minimizes irregular or wavy lines on the screen raster.
Degauss	Corrects image distortion or color impurity caused by external magnetic fields.
Language	Lists the following five language selections for on-screen display: English, Dutch, French, German, and Spanish.
Management	Adjusts power saver and display modes and displays monitor serial number.
Factory Reset	Resets the screen to its factory settings.



Monitor with On-Screen Display

-
-
-
4. A second level menu displays with expanded menu items. Again, to make a selection, press the Minus (-) button 2 to scroll down or press the Plus (+) button 3 to reverse or back up.

IMPORTANT: The Overscan and Degauss selections do not display menus. When you select Overscan, the choices are to turn it on or off. When you select Degauss, the monitor corrects color impurities on the screen. The monitor screen automatically degausses when the monitor is turned on.

-
-
-
-
5. Highlight your choice and select *Save and Return*, or to advance to the third level menu, highlight your choice and press the Select button. To void any changes made, select *Cancel* instead of *Save and Return*.
6. The third level displays a sizing window for adjusting the selected function. To adjust, press the Minus button to decrease the degree of adjustment, or press the Plus button to increase the degree of adjustment.
7. Press the Select button after the adjustment is made.

IMPORTANT: Selections under the Management Menu, Power Saver and Mode Display, turn on and off at the third level. The Serial No. selection displays the monitor serial number at the third level.

How to Adjust Settings

To launch the on-screen display Main Menu:

1. Press the Select button 1 on the monitor front panel to display the Main Menu on the monitor screen.
2. To make a selection from the Main Menu, scroll down by pressing the Minus (-) button 2 and reverse or back up by pressing the Plus (+) button 3 located on the monitor front panel.
3. Highlight your choice and press the *Select* button 1 again.

For example, if your selection is *Size and Position*, press the Minus button 2 until *Size and Position* is highlighted, then press the Select button 1 to choose it.


Display Resolutions

The display resolutions listed below are the most commonly used modes and are set as factory defaults. The monitor automatically recognizes these preset modes when they are requested by a software program and will provide the user with a properly sized and centered display.

Display Resolutions	
Preset Modes	Resolutions
1. VGA Compatible	640 X 350 at 31.5 kHz/70 Hz
2. VGA Compatible	640 X 480 at 31.5 kHz/60 Hz
3. VESA Standard	640 X 480 at 37.5 kHz/75 Hz
4. VESA Standard	640 X 480 at 43.3 kHz/85 Hz
5. VGA Compatible	720 X 400 at 31.5 kHz/70 Hz
6. VESA Standard	800 X 600 at 37.8 kHz/60 Hz
7. VESA Standard	800 X 600 at 46.9 kHz/75 Hz
8. VESA Standard	800 X 600 at 53.7 kHz/85 Hz
9. Macintosh Compatible	832 X 624 at 49.72 kHz/74.5 Hz
10. VESA Standard	1024 X 768 at 48.4 kHz/60 Hz
11. VESA Standard	1024 X 768 at 60.0 kHz/75 Hz
12. VESA Standard	1024 X 768 at 68.7 kHz/85 Hz
13. Macintosh Compatible	1152 X 870 at 68.7 kHz/75 Hz
14. VESA Standard	1280 X 1024 at 63.9 kHz/60 Hz
15. VESA Standard	1280 X 1024 at 80.0 kHz/75 Hz

Memory channels 9 and 13 are Macintosh-compatible display modes for use with a Macintosh-compatible computer. If your computer has this requirement, you will need to purchase a special adapter connector to attach to the monitor signal cable.

Connector Pin Assignments

Signal Cable		
Connector	Pin	Signal
	1	Red Video
	2	Green Video
	3	Blue Video
	4	Open
	5	Return
	6	Red Gnd
	7	Green Gnd
	8	Blue Gnd
	9	Reserved (No Pin)
	10	Sync Return
	11	Open
	12*	Bidirectional Data (SDA)
	13	H-Sync/Composite Sync
	14	V-Sync
	15*	Data Clock (SCL)

* DDC Signals

Color Display Values

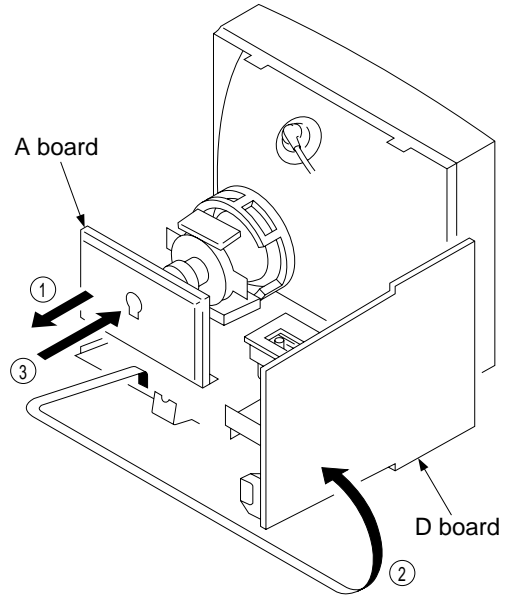
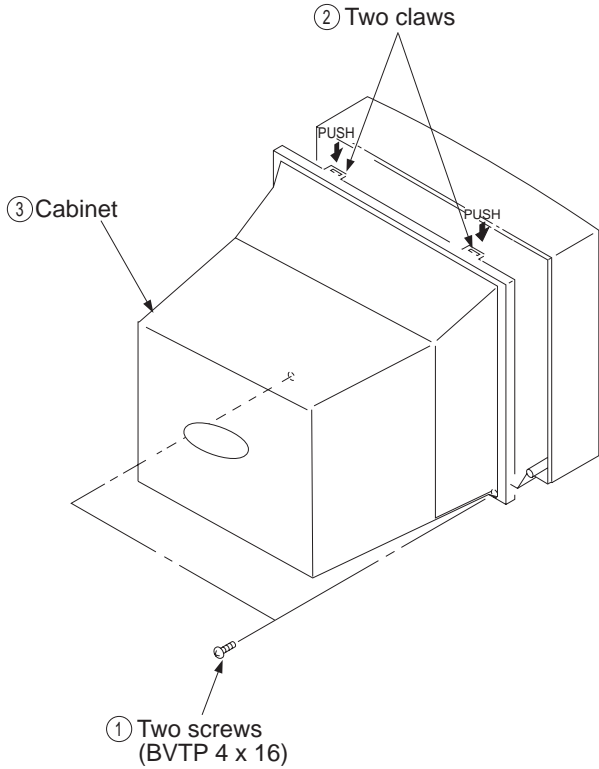
CIE* Chromaticity Coordinates		
	x	y
Red	0.625	0.340
Green	0.285	0.605
Blue	0.150	0.065
White Point (9300 K)	0.281 (+/- .015)	0.311 (+/- .015)
White Point (6500 K)	0.313 (+/- .015)	0.329 (+/- .015)
Gamma: 2.25		

*Commission International d'Eclairage, 1931 Standard.

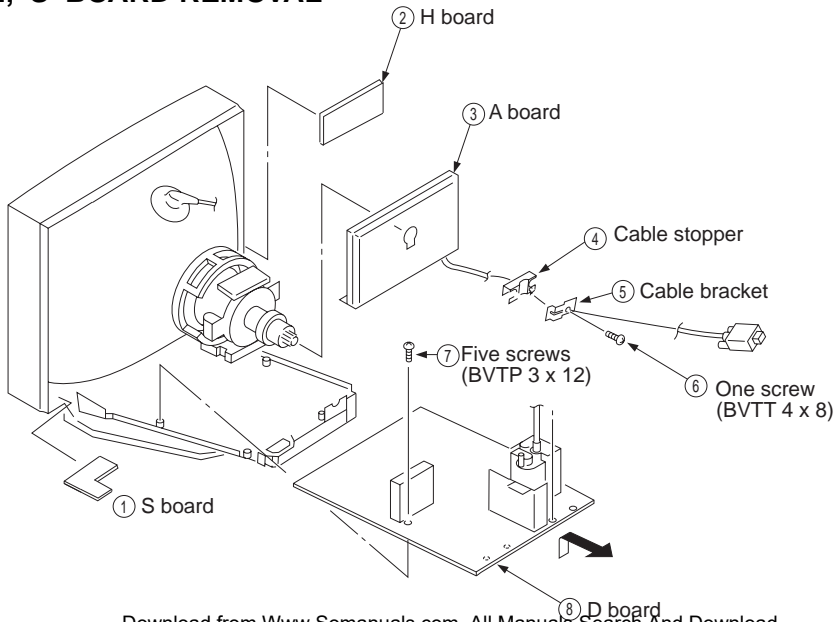
SECTION 2 DISASSEMBLY

2-1. CABINET REMOVAL

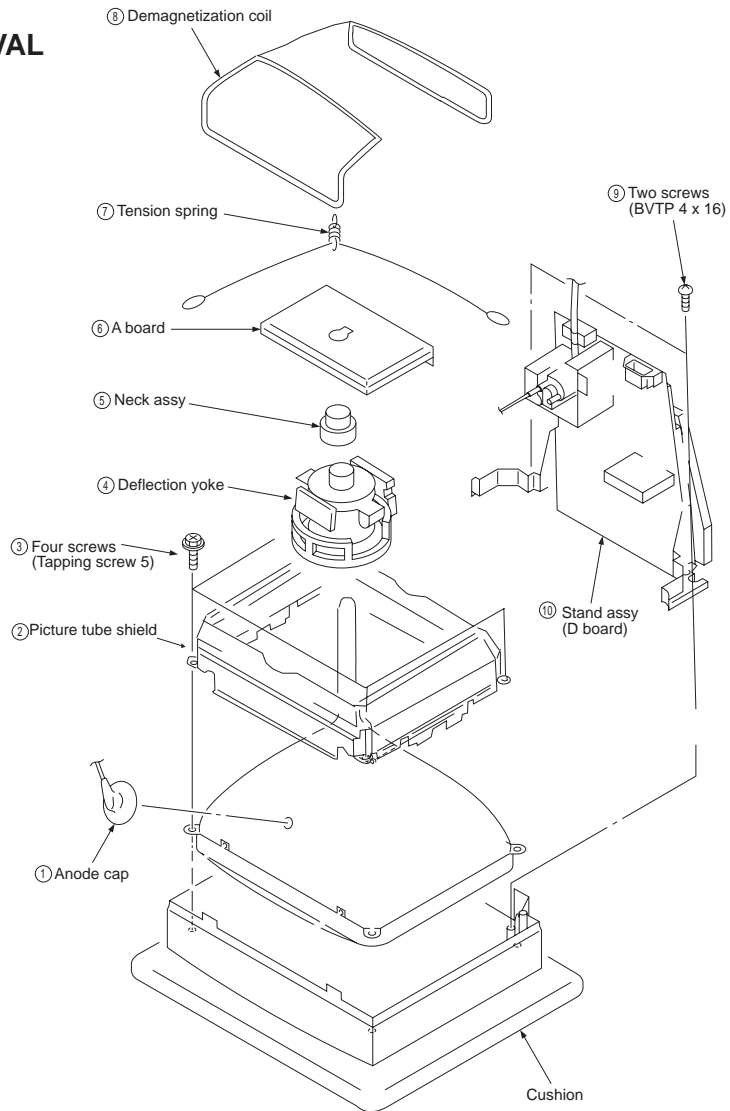
2-2. SERVICE POSITION



2-3. A, D, H, S BOARD REMOVAL



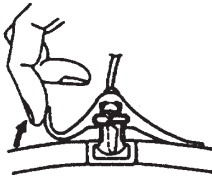
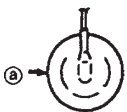
2-4. PICTURE TUBE REMOVAL



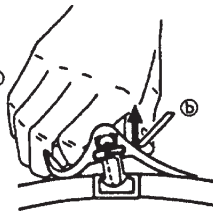
REMOVAL OF THE ANODE-CAP

NOTE: Short circuit the anode of the picture tube and the anode cap to the metal chassis, CRT shield or carbon painted on the CRT, after removing the anode.

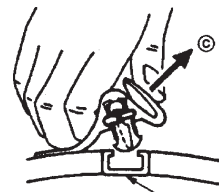
REMOVAL PROCEDURES



① Turn up one side of the rubber cap in the direction indicated by arrow a).



② Use your thumb to pull the rubber cap firmly in the direction indicated by arrow b).

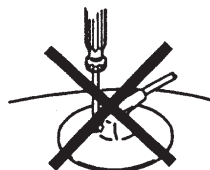


Anode button

③ When one side of the rubber cap separates from the anode button, the anode-cap can be removed by turning the rubber cap and pulling it in the direction of arrow c).

HOW TO HANDLE AN ANODE-CAP

- ① Do not use sharp objects which may cause damage to the surface of the anode-cap.
- ② Do not squeeze the rubber covering too hard to avoid damaging the anode-cap. A material fitting called a shatter-hook terminal is built into the rubber.



- ③ Do not force turn the foot of the rubber cover. This may cause the shatter-hook terminal to protrude and damage the rubber.

SECTION 3

SAFETY RELATED ADJUSTMENT

- When replacing parts shown in the table below, the following operational checks must be performed as a safety precaution against X-ray emissions from the unit.

D - BOARD
Part Replaced (☒)
RV501
Part Replaced (☑)
RV501, T501, R545, R546, R548, R550, R547, R549, R552, D517, IC605, IC901, C540, C542, C544, C541, C535, IC501, C558, R567, R564, C555, C553, C554, C561

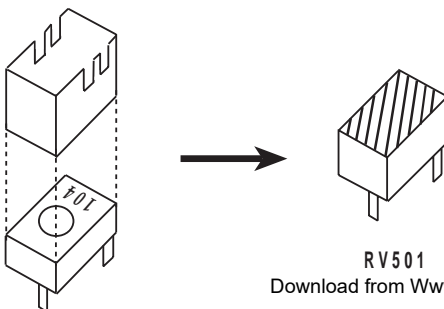
※ Allow the unit to warm up for one minute prior to checking the following conditions:

a) HV Regulator Check

- 1) Input white cross hatch signal. (fH = 64 kHz)
- 2) Minimum CONT and BRT controls.
- 3) Cut off Screen VR (G2).
- 4) Input voltage: 120 ± 2 VAC
- 5) Confirm that the voltage is within the voltage range shown below.

Standard voltage: $25.0KV \pm 0.5KV$

- 6) When replacing components identified by ☑, make sure to recheck the High Voltage.
- 7) Verify the High Voltage as shown above ($25.0KV \pm 0.5KV$) is within specification. If not, set H. SIZE data at minimum (-127) and then adjust RV501 on "D" Board.
- 8) After adjusting the High Voltage within specification, put the RV cover on RV501 as shown below and apply sufficient amount of RTV around RV501.



RV501

Download from [Www.Somanuals.com](http://www.Somanuals.com). All Manuals Search And Download.

b) HV Hold-Down Check

- 1) Using an external DC Power supply, apply the voltage shown below between cathode of D517 on "D" Board and GND, and confirm that the HV Hold-Down circuit works. (Raster disappears)
Apply DC Voltage: 31.4 ± 0.01 VDC

Check Condition

- Input voltage : 120 ± 2 VAC
- Input signal : (fH = 64 kHz), White Cross Hatch
- Controls : CONT (max) & BRT (center)
- B+ Voltage : 185 ± 3.0 VDC

c) Beam Protector Check (Software logic)

- 1) Using an external DC power supply, apply the voltage 8.8 ± 0.01 VDC between pin ⑪ of FBT (T501) and GND, and confirm that the voltage across C541 is 3.7 VDC or less.

Check Condition

- Input voltage : 120 ± 2 VAC
- Input signal : (fH = 64 kHz), White Cross Hatch
- Controls : CONT (max) & BRT (center)

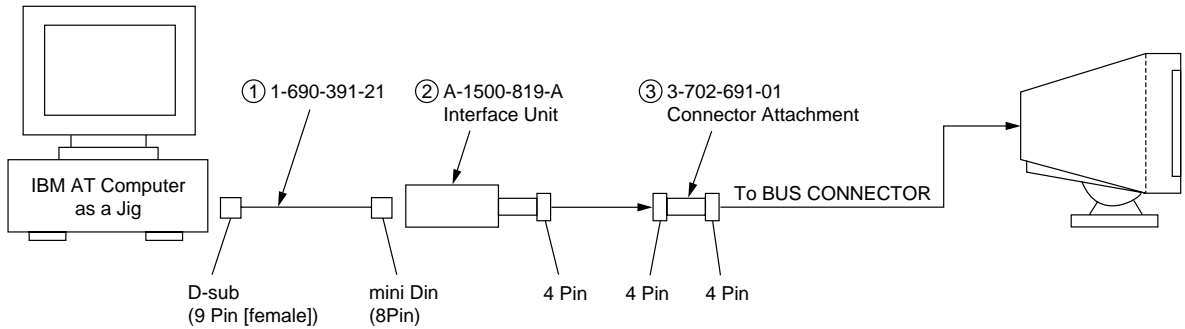
d) B+ MAX. Check

- 1) Input white cross hatch (fH = 64 kHz) signal.
- 2) CONT (max) & BRT (center)
- 3) Input voltage: 120 ± 2 VAC
Note: Use NF power supply or make sure that distortion factor is 3% or less.
- 4) Confirm that the voltage is within the voltage range shown below.

Standard voltage: 185 ± 3.0 VDC

SECTION 4 ADJUSTMENTS

Connect the communication cable of the connector located on the D board on the monitor. Run the service software and then follow the instructions.



*The parts above (①~③) are necessary for DAS adjustment.

※ Allow a 30 minute warm-up period prior to making the following adjustments:

● Landing Rough Adjustment

1. Enter the full white signal.
2. Adjust the contrast to the maximum.
3. Input full green signal.
4. Moving the DY backward, and adjust coarsely the purity magnet so that a green raster positions in the center of screen.
5. Moving the DY forward, adjust so that an entire screen becomes pure green.
6. Adjust the tilt of DY, and tighten lightly with a clamp.

● Landing Fine Adjustment

1. Place the set in the Helmholtz coil.
2. Enter a green signal only.
3. Degauss the entire screen with hand-degausser. Then auto-degauss it.
4. Attach a wobbling coil to the specified position of CRT neck.
5. Attach a landing adjuster sensor on the CRT.
6. Using a landing checker, adjust the DY position, purity, tilt of DY.
7. Clamp the DY screw.

Clamping torque: 22 ± 2 kgcm (2.2 ± 0.2 N.m)

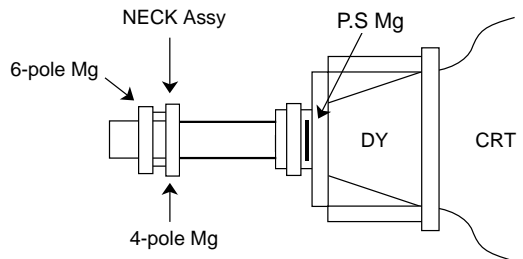
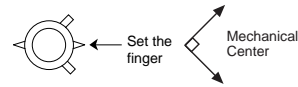
● Convergence Rough Adjustment

1. All digital convergence data should be zero by MCP.
2. Enter the white crosshatch signal.
3. Adjust roughly the horizontal and vertical convergence at four-pole magnet.
4. Adjust roughly HMC and VMC at six-pole magnet.

● Convergence Fine Adjustment

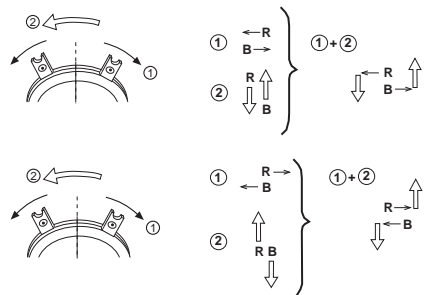
Set DY four-pole magnet to mechanical center before adjustment.

This should be prime mode.



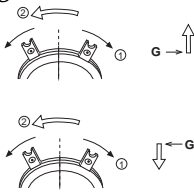
1. Receive R.B. cross-hatch.
2. Adjust H.STAT and V.STAT at four-pole magnet.

4 Pole Magnet

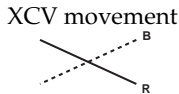


3. Receive White cross-hatch.
4. Adjust HMC and VMC at six-pole magnet.

< 6 Pole Magnet >

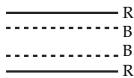


5. Receive R.B. cross-hatch.
6. Adjust H.TILT by swinging the DY neck right and left.
7. Adjust XCV with XCV core.



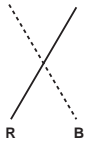
8. Adjust V.TILT with TLV VR.

TLV movement



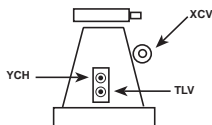
9. Adjust Y.CROSS with YCH VR.

YCH movement



10. Paint lock the four-pole and six-pole Mg.

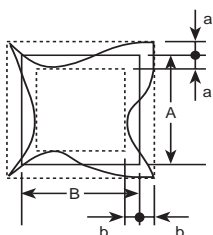
VR Adjustment on DY



Zero Position NECK Ass'y



● Vertical and Horizontal Position and Size Specification

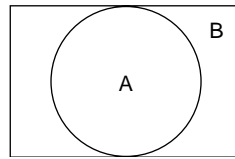


a < 2.5 mm
b < 2.5 mm

A	B
202	270

● Convergence Specification

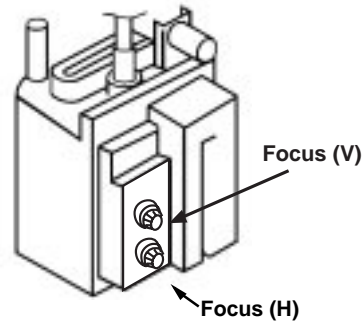
Horizontal and Vertical



A ≦ 0.30mm
B ≦ 0.30mm

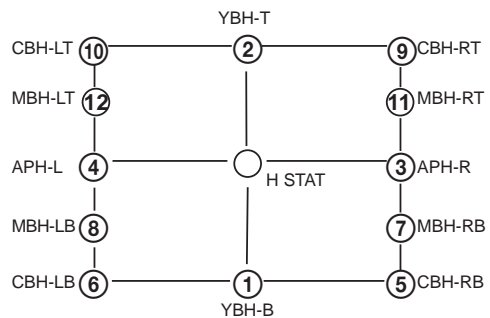
● Focus adjustment

Adjust focus (V) and focus (H) for optimum focus.



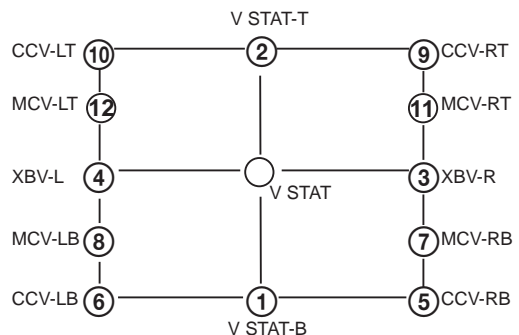
11. Digital Convergence Adjustment

A. Horizontal Convergence



Adjust each misconvergence point in sequence.

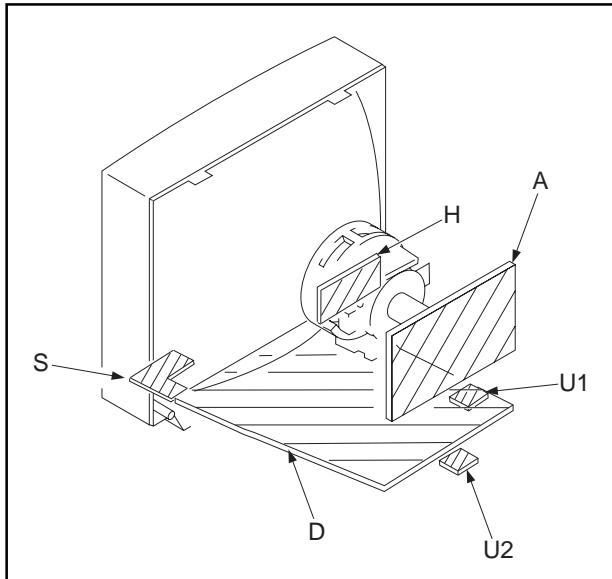
B. Vertical Convergence



Adjust each misconvergence point in sequence.

- C. Repeat the procedure of A and B so that the convergence of the whole screen is within the specification.

5-2. CIRCUIT BOARDS LOCATION



5-3. SCHEMATIC DIAGRAMS AND PRINTED WIRING BOARDS

Note:

- All capacitors are in μF unless otherwise noted. pF: μpF
50 WV or less are not indicated except for electrolytic.
- Indication of resistance, which does not have one for rating electrical power, is as follows.

Pitch: 5 mm

Rating electrical power 1/4 W (CHIP: 1/10 W)

- All resistors are in ohms.
- : nonflammable resistor.
- : fusible resistor.
- Δ : internal component.
- : panel designation and adjustment for repair.
- All variable and adjustable resistors have characteristic curve B, unless otherwise noted.
- \perp : earth-ground.
- : earth-chassis.
- The components identified by in this basic schematic diagram have been carefully factory-selected for each set in order to satisfy regulations regarding X-ray radiation. Should replacement be required, replace only with the value originally used.
- When replacing components identified by , make the necessary adjustments by using RV501 () as indicated. (See page 10Z)

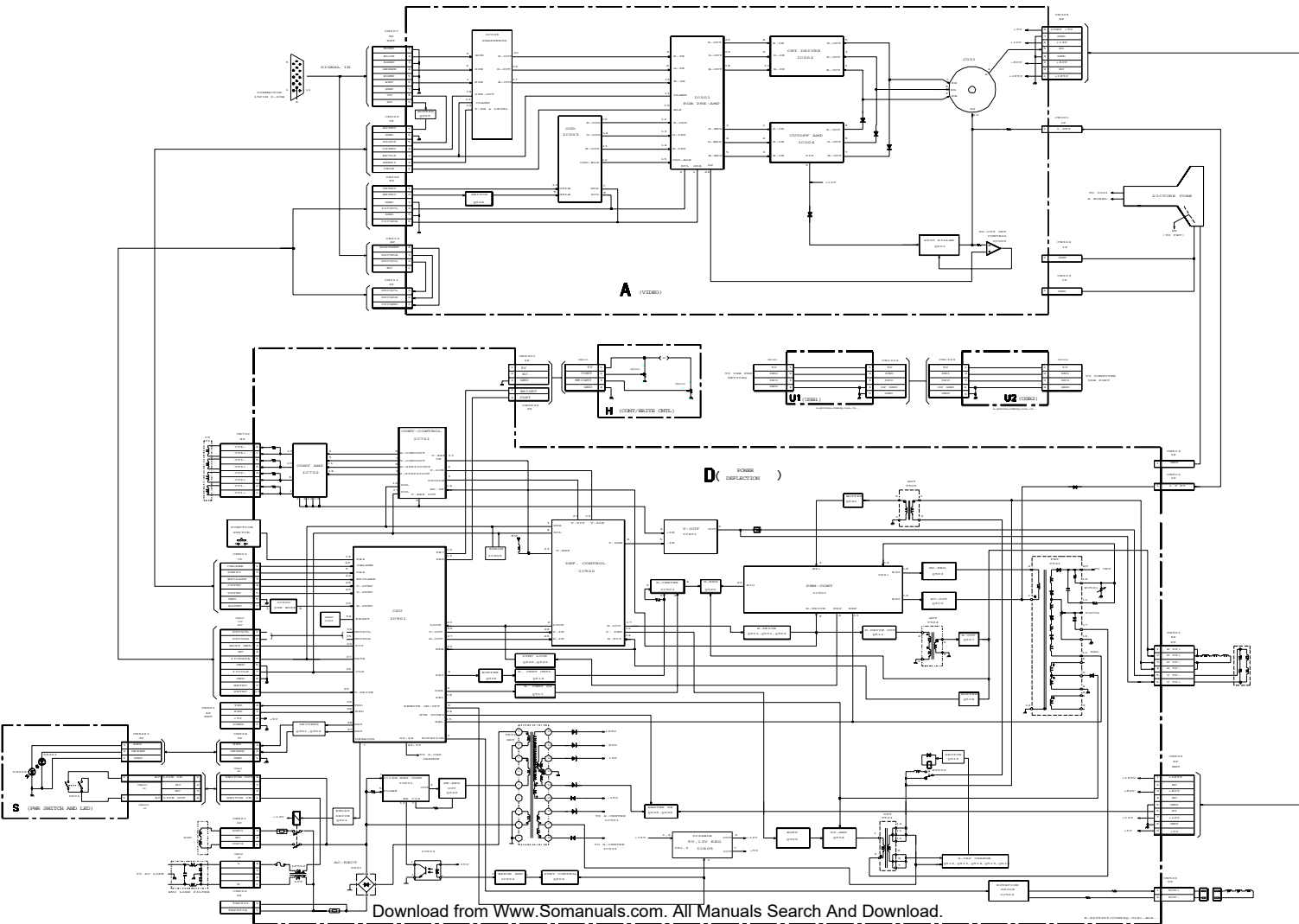
- When replacing parts shown in the table below, be sure to perform the safety related adjustment.

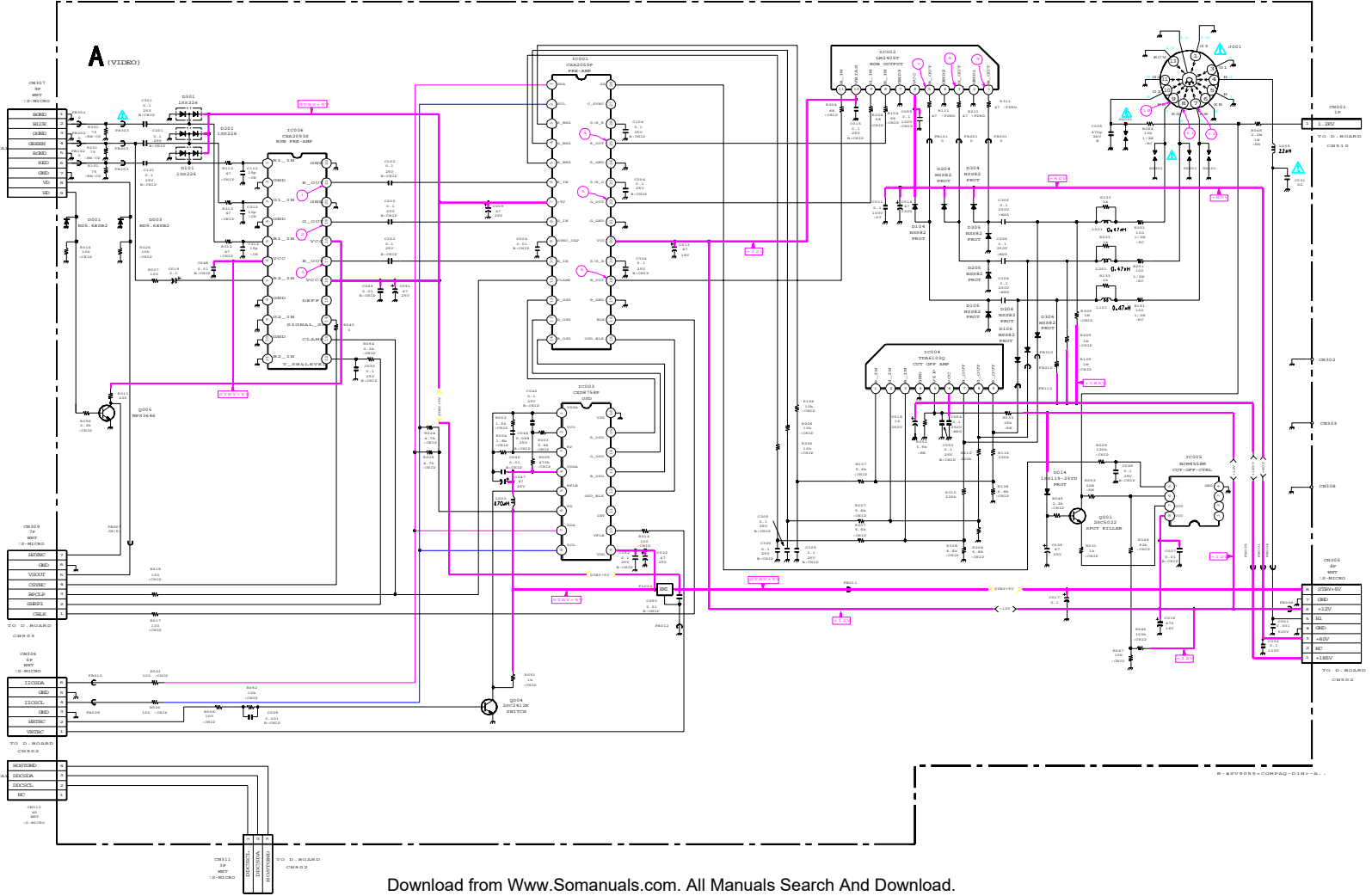
D - BOARD
Part Replaced ()
RV501
Part Replaced ()
RV501, T501, R545, R546, R548, R550, R547, R549, R552, D517, IC605, IC901, C540, C542, C544, C541, C535, IC501, C558, R567, R564, C555, C553, C554, C561

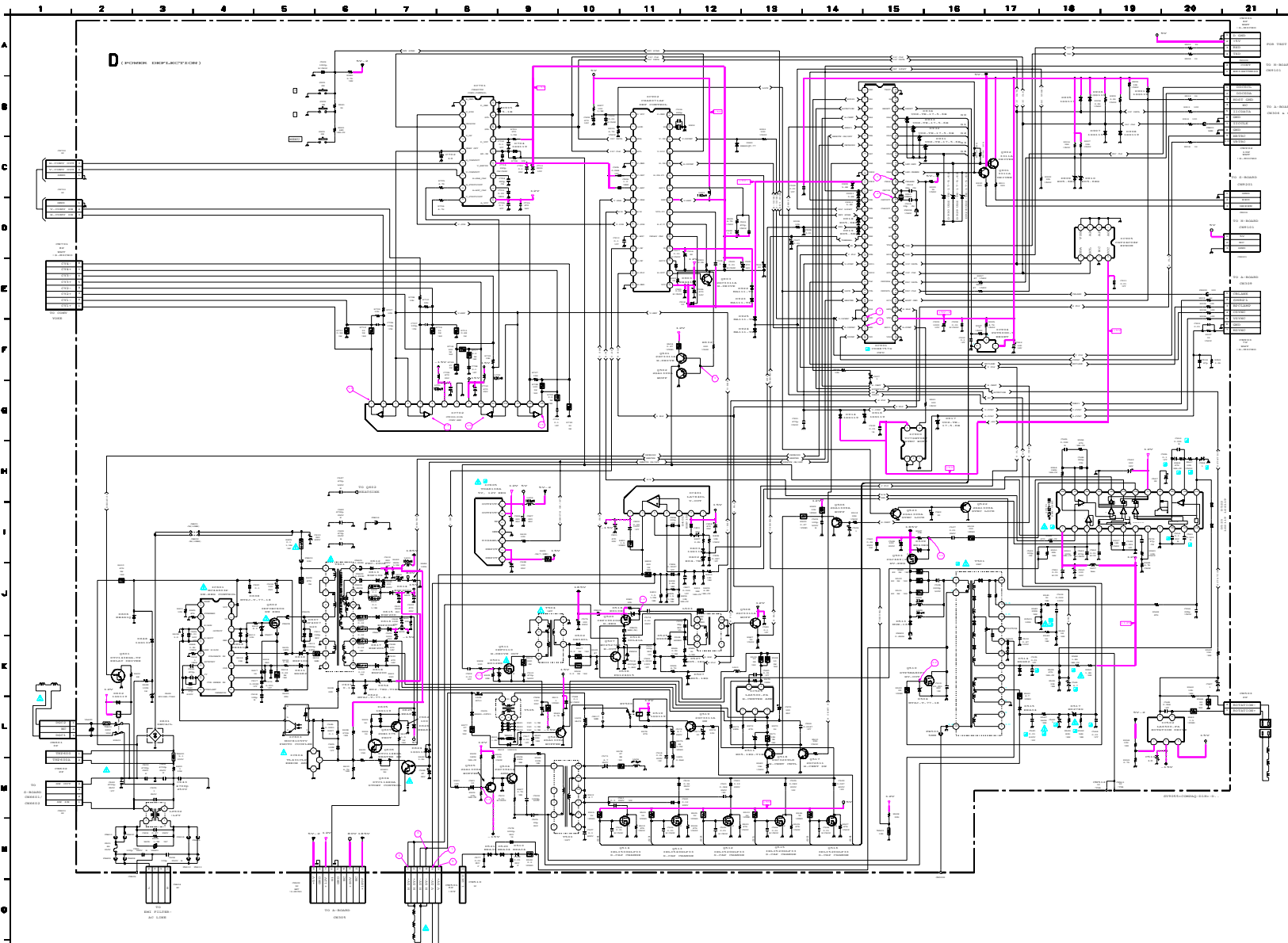
- All voltages are in volts.
- Readings are taken with a 10 M Ω digital multimeter
- Readings are taken with a color-bar signal input.
- Voltage variations may be noted due to normal production tolerances.
- * : Cannot be measured.
- Circled numbers are waveform references.
- : B +bus.
- : B - bus.

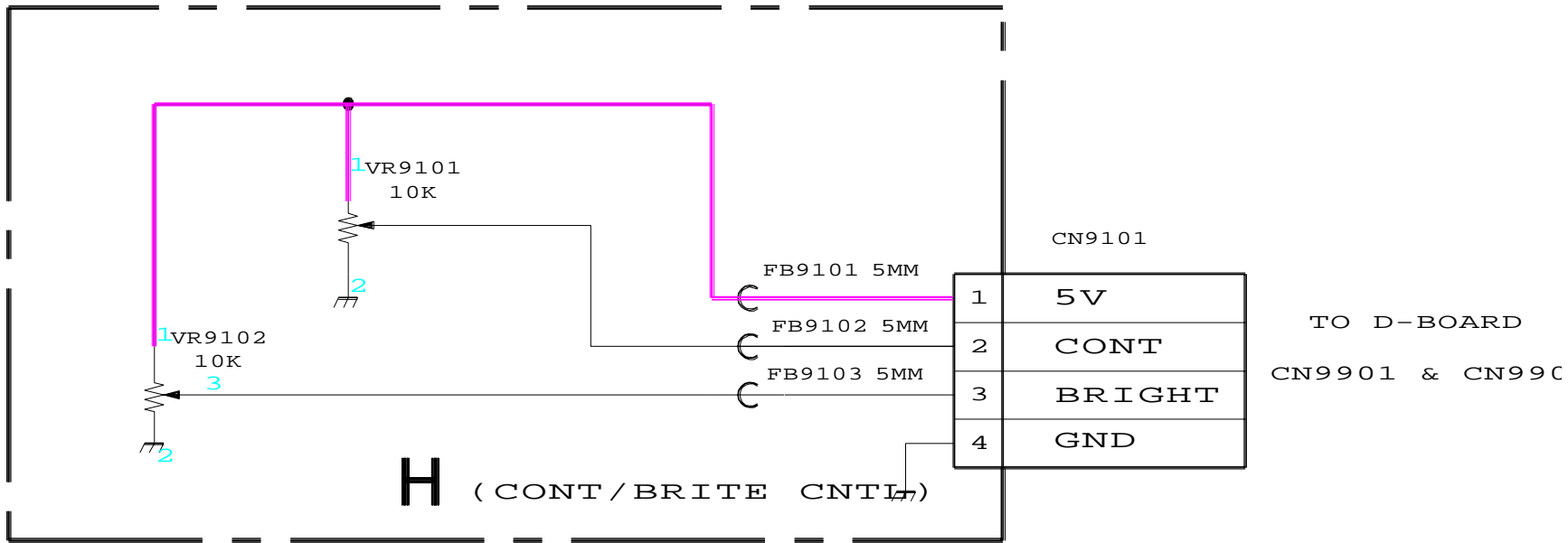
Note: The components identified by shading and mark Δ are critical for safety. Replace only with part number specified.

Note: Les composants identifiés par un trame et une marque Δ sont critiques pour la sécurité. Ne les remplacer que par une pièce portant le numéro spécifié.





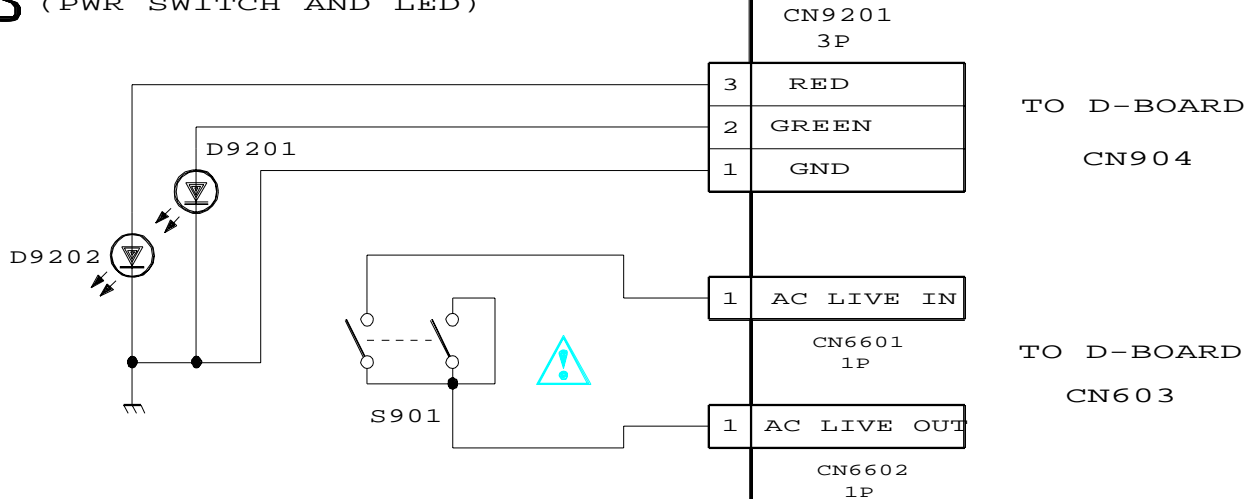


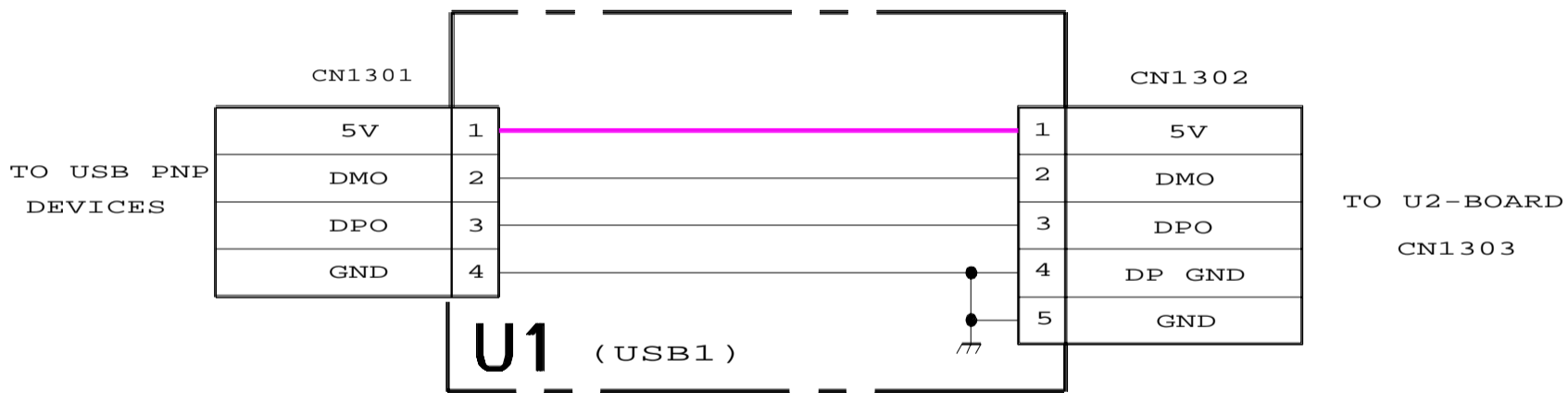


B-#SV9055<COMPAQ-D1H>-H..

Download from www.Somanuals.com. All Manuals Search And Download.

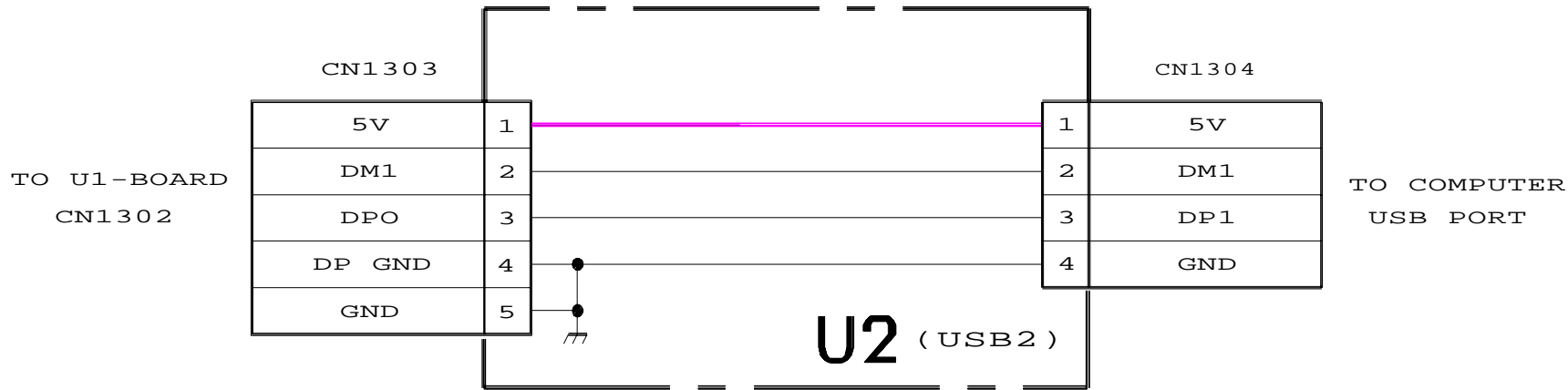
S (PWR SWITCH AND LED)





B-#SV9055<COMPAQ-D1H>-U1..

Download from www.Somanuals.com. All Manuals Search And Download.



SECTION 6 EXPLODED VIEWS

- Items with no part number and no description are not stocked because they are seldom required for routine service.
- The component parts of an assembly are indicated by the reference numbers in the remarks column.
- Items marked " * " are not stocked since they are seldom required for routine service. Some delay should be anticipated when ordering these items.

Note:

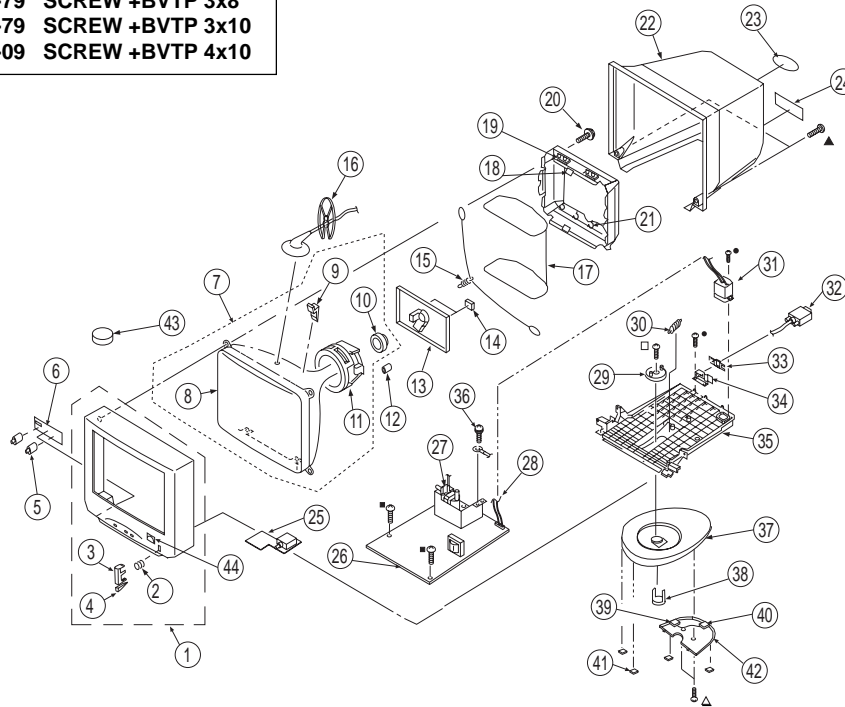
The components identified by shading and mark **Δ** are critical for safety. Replace only with part number specified.

Note:

Les composants identifiés par un trame et une marque **Δ** sont critiques pour la sécurité. Ne les remplacer que par une pièce portant le numéro spécifié.

6-1. CHASSIS (US/CANADIAN, AEP, NH, SH, AUS models made in US)

- 7-685-648-79 SCREW +BVTP 3x12
- △ 7-685-663-71 SCREW +BVTP 4x16
- 7-685-646-79 SCREW +BVTP 3x8
- 7-685-647-79 SCREW +BVTP 3x10
- ▲ 7-685-882-09 SCREW +BVTP 4x10



REF.NO.	PART NO.	DESCRIPTION	REMARK	REF.NO.	PART NO.	DESCRIPTION	REMARK	
1	*	X-4035-359-1	BEZEL ASSY	2-4	23	*	4-063-226-01	BADGE, COMPAQ
2		4-063-224-01	SPRING, COMPRESSION	24		4-063-219-01	LABEL, INFORMATION	
3		4-063-220-01	BUTTON, POWER	25	*	A-1390-837-A	S BOARD, MOUNTED	
4		4-063-222-01	GUIDE, LIGHT	26	*	A-1346-730-A	D BOARD, COMPLETE	
5		4-063-212-01	DIAL, ROTARY	27	Δ	1-453-241-11	TRANSFORMER ASSY, FLYBACK (NX-4400//X4L4)	
6	*	A-1372-451-A	H BOARD, MOUNTED	28	*	1-900-802-2	CONNECTOR ASSY. 4P	
7	Δ	8-738-733-83	ITC ASSY, 17FRFM-R3 (US/CND, AEP, NH)	29		4-045-121-01	STOPPER (A), STAND	
7	Δ	8-738-728-81	ITC ASSY, 17FRFM-RS2 (AUS, SH)	30		4-046-901-01	SPRING, TENSION	
8	Δ	8-738-726-05	CRT, 17FRFM (M41LKN50X) (US/CND, AEP, NH)	31		1-784-638-11	INLET, AC	
8	Δ	8-738-728-05	CRT, 17FRFM (M41LKN15X) (AUS, SH)	32	*	1-783-562-11	CABLE ASSY VIDEO (15P D-SUB)	
9		4-040-897-01	SPACER, DY	33	*	4-045-131-01	STOPPER, CABLE	
10	Δ	1-452-923-21	NECK ASSY	34	*	4-063-213-01	BRACKET, CABLE	
11	Δ	8-451-490-21	DY Y17FRJ3-M	35	*	X-4035-361-1	BOTTOM COVER ASSY	
12		1-500-386-11	FILTER CLAMP (FERRITE CORE)	36		4-389-025-01	SCREW (M4x8)(EXT.TOOTHWASHER)	
13	*	A-1298-503-A	A BOARD, COMPLETE	37		4-063-237-01	BASE, STAND UPPER	
14	*	4-061-571-01	CUSHION (A)	38		4-048-148-01	STOPPER (B)	
15	*	4-061-573-01	SPRING, TENSION	39	*	A-1373-668-A	U1 BOARD, MOUNTED	
16		3-704-372-31	HOLDER, HV CABLE	40	*	A-1373-669-A	U2 BOARD, MOUNTED	
17	Δ	1-416-282-21	COIL, DEMAGNETIC	41	*	4-060-533-01	CUSHION	
18		4-041-021-02	HOLDER, DGC	42		4-063-238-01	BASE, STAND LOWER	
19	*	4-056-260-01	DGC, SPACER	43		1-452-032-00	MAGNET, DISC	
20		4-365-808-01	SCREW (5), TAPPING	44		4-045-471-01	LABEL, ENERGY STAR	
21	*	4-041-758-02	HOLDER, DGC					
22		4-063-225-01	CABINET					

SECTION 6 EXPLODED VIEWS

- Items with no part number and no description are not stocked because they are seldom required for routine service.
- The component parts of an assembly are indicated by the reference numbers in the remarks column.
- Items marked " * " are not stocked since they are seldom required for routine service. Some delay should be anticipated when ordering these items.

Note:

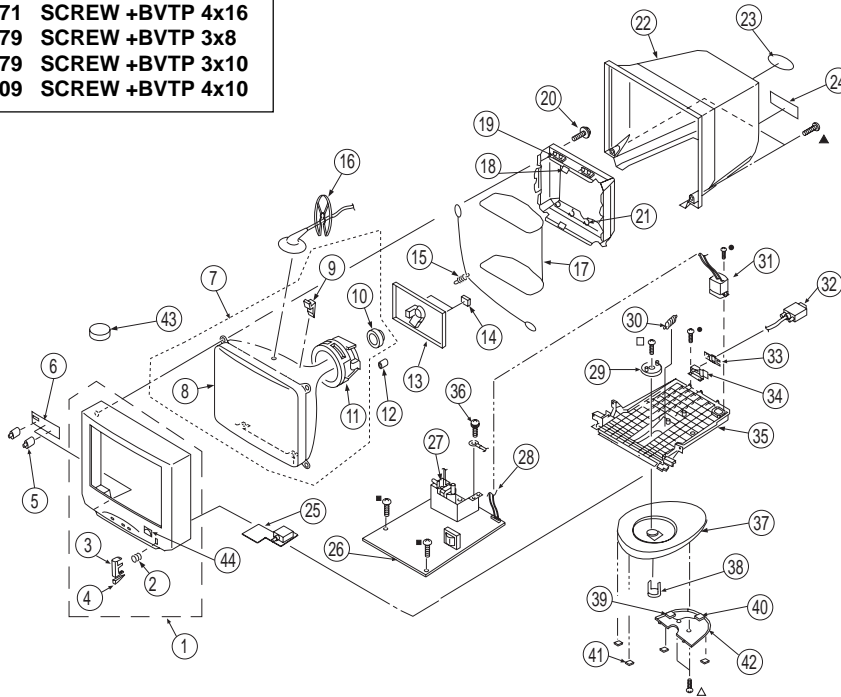
The components identified by shading and mark Δ are critical for safety. Replace only with part number specified.

Note:

Les composants identifiés par un trame et une marque Δ sont critiques pour la securite. Ne les remplacer que par une piece portant le numero specifie.

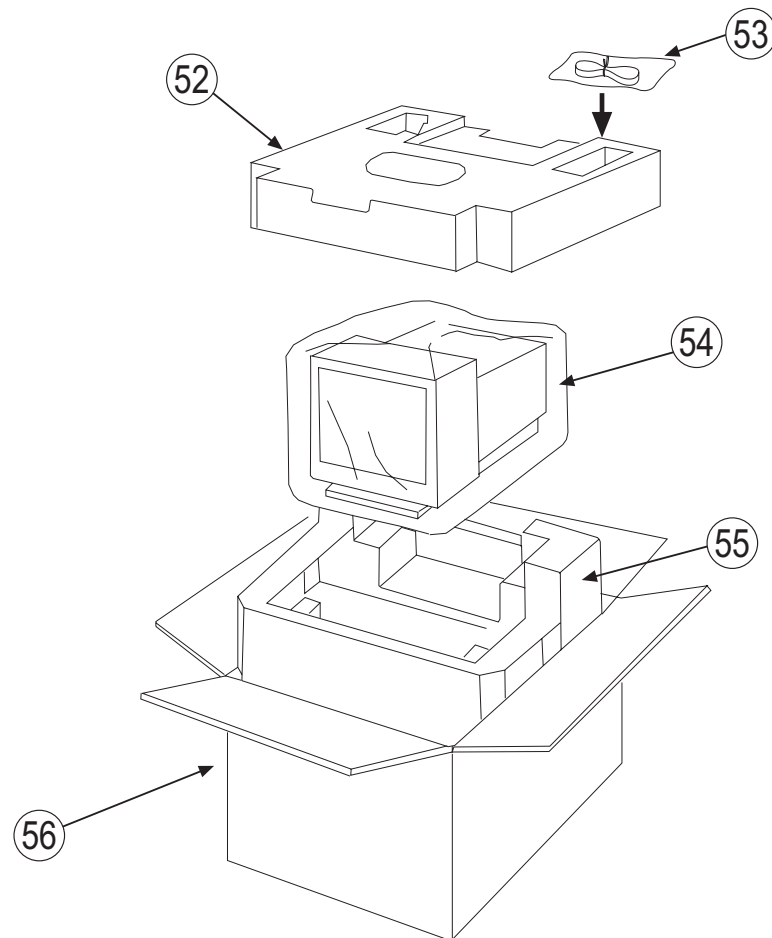
6-2. CHASSIS (AEP, UK models made in UK)

- 7-685-648-79 SCREW +BVTP 3x12
- △ 7-685-663-71 SCREW +BVTP 4x16
- 7-685-646-79 SCREW +BVTP 3x8
- 7-685-647-79 SCREW +BVTP 3x10
- ▲ 7-685-882-09 SCREW +BVTP 4x10



REF.NO.	PART NO.	DESCRIPTION	REMARK	REF.NO.	PART NO.	DESCRIPTION	REMARK	
1	*	X-4035-526-1	BEZEL ASSY	2-4	23	*	4-064-201-01	BADGE, COMPAQ
2		4-063-224-01	SPRING, COMPRESSION	24		4-064-206-01	LABEL, INFORMATION	
3		4-064-196-01	BUTTON, POWER	25	*	A-1390-846-A	S BOARD, MOUNTED	
4	*	4-064-198-01	GUIDE, LIGHT	26	*	A-1346-743-A	D BOARD, COMPLETE	
5		4-064-219-01	DIAL, ROTARY	27	▲	1-453-241-11	TRANSFORMER ASSY, FLYBACK (NX-4400//X4L4)	
6	*	A-1372-473-A	H BOARD, MOUNTED	28		1-900-802-21	CONNECTOR ASSY. 4P	
7	▲	8-738-733-83	ITC ASSY, 17FRFM-R3	29		4-045-121-01	STOPPER (A), STAND	
8	▲	8-738-726-05	CRT, 17FRFM (M41LKN50X)	30		4-046-901-01	SPRING, TENSION	
9		4-040-897-01	SPACER, DY	31		1-784-638-11	INLET, AC	
10	▲	1-452-923-21	NECK ASSY	32	*	1-783-562-11	CABLE ASSY VIDEO (15P D-SUB)	
11	▲	8-451-490-11	DY Y17FRJ3-M	33	*	4-045-131-11	STOPPER, CABLE	
12		1-500-386-11	FILTER CLAMP (FERRITE CORE)	34	*	4-063-213-01	BRACKET, CABLE	
13	*	A-1298-545-A	A BOARD, COMPLETE	35	*	X-4035-528-1	BOTTOM COVER ASSY	
14	*	4-062-321-01	CUSHION (A)	36		4-389-025-01	SCREW (M4x8)(EXT.TOOTHWASHER)	
15	*	4-047-316-01	SPRING, TENSION	37		4-064-210-01	BASE, STAND UPPER	
16		3-704-372-31	HOLDER, HV CABLE	38		4-048-148-01	STOPPER (B)	
17	▲	1-416-282-21	COIL, DEMAGNETIC	39	*	A-1394-885-A	U1 BOARD, MOUNTED	
18		4-041-021-02	HOLDER, DGC	40	*	A-1394-886-A	U2 BOARD, MOUNTED	
19	*	4-056-260-01	DGC, SPACER	41	*	4-060-533-01	CUSHION	
20		4-365-808-01	SCREW (5), TAPPING	42		4-064-211-01	BASE, STAND LOWER	
21	*	4-041-758-02	HOLDER, DGC	43		1-452-032-00	MAGNET, DISC	
22		4-064-200-01	CABINET	44		4-045-471-01	LABEL, ENERGY STAR	

6-3. PACKING MATERIALS



<u>REF.NO.</u>	<u>PART NO.</u>	<u>DESCRIPTION</u>	<u>REMARK</u>
52	4-063-231-01	CUSHION, UPPER (US/CND, AEP, NH, SH, AUS models made in US)	
52	4-064-213-01	CUSHION, UPPER (AEP, UK models made in UK)	
53 Δ	1-776-027-41	CORD SET, POWER (US/CND models made in US)	
53 Δ	1-558-481-11	CORD SET, POWER (AUS model made in US)	
53 Δ	1-765-719-11	CORD SET, POWER (AEP models made in US and UK)	
54	4-041-927-11	BAG, POLYETHYLENE	
55	4-063-232-01	CUSHION, LOWER (US/CND, AEP, NH, SH, AUS models made in US)	
55	4-064-214-01	CUSHION, LOWER (AEP, UK models made in UK)	
56	4-063-233-01	INDIVIDUAL CARTON (US/CND, AEP, NH, SH, AUS models made in US)	
56	4-064-215-01	INDIVIDUAL CARTON (AEP, UK models made in UK)	



SECTION 7

ELECTRICAL PARTS LIST

Note:

The components identified by shading and mark **A** are critical for safety. Replace only with part number specified.

Note:

Les composants identifiés par un trame et une marque **A** sont critiques pour la sécurité. Ne les remplacer que par une pièce portant le numéro spécifié.

The components identified by **A** in this manual have been carefully factory-selected for each set in order to satisfy regulations regarding X-ray radiation. Should replacement be required, replace only with the value originally used.

- Items marked "*" are not stocked since they are seldom required for routine service. Some delay should be anticipated when ordering these items.

- All variable and adjustable resistors have characteristic curve B, unless otherwise noted.

RESISTORS

- All resistors are in ohms
- F : nonflammable

CAPACITORS

- MF = μF

INDUCTORS

UH = μH

MMH = MH

When indicating parts by reference number, please include the board name.

REF.NO.	PART NO.	DESCRIPTION	REMARK	REF.NO.	PART NO.	DESCRIPTION	REMARK
A							
*	A-1298-503-B	A BOARD, COMPLETE (US/CANADIAN, AEP, NH, SH, AUS models made in US)		C053	1-164-004-11	CERAMIC CHIP	0.1MF 10% 25V
*	A-1298-545-B	A BOARD, COMPLETE (AEP, UK models made in UK)		C054	1-137-528-11	FILM	0.1MF 10% 250V
	4-382-854-11	SCREW (M3X10), P, SW (+)		C055	1-104-503-12	CERAMIC CHIP	0.1MF 10% 100V
CAPACITOR				C090	1-164-232-11	CERAMIC CHIP	0.01MF 10% 50V
C001	1-162-318-11	CERAMIC	0.001MF 10% 500V	C092	1-164-004-11	CERAMIC CHIP	0.1MF 10% 25V
C002	1-106-220-00	MYLAR	0.1MF 10% 100V	C093	1-163-251-11	CERAMIC	100PF 5% 50V
C004	1-164-232-11	CERAMIC CHIP	0.01MF 10% 50V	C101	1-164-004-11	CERAMIC CHIP	0.1MF 10% 25V
C005	1-163-009-11	CERAMIC CHIP	0.001MF 10% 50V	C102	1-164-004-11	CERAMIC CHIP	0.1MF 10% 25V
C009	1-107-888-11	ELECT	47MF 20% 25V	C104	1-164-004-11	CERAMIC CHIP	0.1MF 10% 25V
C011	1-106-220-00	MYLAR	0.1MF 10% 100V	C105	1-164-004-11	CERAMIC CHIP	0.1MF 10% 25V
C013	1-107-909-11	ELECT	47MF 20% 16V	C106	1-137-528-11	FILM	0.1MF 10% 250V
C014	1-107-932-11	ELECT	47MF 20% 100V	C112	1-163-231-11	CERAMIC CHIP	15PF 5% 50V
C015	1-164-004-11	CERAMIC CHIP	0.1MF 10% 25V	C201	1-164-004-11	CERAMIC CHIP	0.1MF 10% 25V
C016	1-128-528-11	ELECT	470MF 20% 16V	C202	1-164-004-11	CERAMIC CHIP	0.1MF 10% 25V
C017	1-130-495-00	FILM	0.1MF 5% 50V	C204	1-164-004-11	CERAMIC CHIP	0.1MF 10% 25V
C018	1-107-961-91	ELECT	10MF 20% 250V	C205	1-164-004-11	CERAMIC CHIP	0.1MF 10% 25V
C019	1-130-495-00	FILM	0.1MF 5% 50V	C206	1-137-528-11	FILM	0.1MF 10% 250V
C022	1-104-664-11	ELECT	47MF 20% 25V	C212	1-163-227-11	CERAMIC CHIP	10PF 5% 50V
C027	1-164-232-11	CERAMIC CHIP	0.01MF 10% 50V	C301	1-164-004-11	CERAMIC CHIP	0.1MF 10% 25V
C028	1-104-664-11	ELECT	47MF 20% 25V	C302	1-164-004-11	CERAMIC CHIP	0.1MF 10% 25V
C029	1-164-004-11	CERAMIC CHIP	0.1MF 10% 25V	C304	1-164-004-11	CERAMIC CHIP	0.1MF 10% 25V
C031 A	1-517-499-21	GAP, SPARK		C305	1-164-004-11	CERAMIC CHIP	0.1MF 10% 25V
C035	1-162-134-11	CERAMIC	470PF 10% 2KV	C306	1-137-528-11	FILM	0.1MF 10% 250V
C042	1-164-004-11	CERAMIC CHIP	0.1MF 10% 25V	C312	1-163-231-11	CERAMIC CHIP	15PF 5% 50V
C044	1-164-344-11	CERAMIC CHIP	0.068MF 10% 25V	CONNECTOR			
C046	1-164-232-11	CERAMIC CHIP	0.01MF 10% 50V	CN301	1-506-108-41	PIN, CONNECTOR (TERMINAL PIN)	
C047	1-104-664-11	ELECT	47MF 20% 25V	CN302	1-695-915-11	TAB (CONTACT)	
C048	1-164-232-11	CERAMIC CHIP	0.01MF 10% 50V	CN303	1-695-915-11	TAB (CONTACT)	
C049	1-164-232-11	CERAMIC CHIP	0.01MF 10% 50V	CN305	1-564-511-11	PLUG, CONNECTOR 8P	
C050	1-164-004-11	CERAMIC CHIP	0.1MF 10% 25V	CN306 *	1-564-509-11	PLUG, CONNECTOR 6P	
C051	1-104-664-11	ELECT	47MF 20% 25V	CN307 *	1-564-512-11	PLUG, CONNECTOR 9P	
				CN308	1-695-915-11	TAB (CONTACT)	
				CN309 *	1-564-510-11	PLUG, CONNECTOR 7P	
				CN310 *	1-564-507-11	PLUG, CONNECTOR 4P	
				CN311 *	1-564-506-11	PLUG, CONNECTOR 3P	



Note: The components identified by shading and mark Δ are critical for safety. Replace only with part number specified.

Note: Les composants identifiés par un trame et une marque Δ sont critiques pour la sécurité. Ne les remplacer que par une pièce portant le numéro spécifié.

REF.NO.	PART NO.	DESCRIPTION	REMARK	REF.NO.	PART NO.	DESCRIPTION	REMARK
DIODE							
D001	8-719-109-89	DIODE RD5.6ESB2		IC003	8-759-530-14	IC CXD8758P	
D003	8-719-109-89	DIODE RD5.6ESB2		IC004	8-759-434-40	IC TDA6103Q/N3,112	
D014	8-719-911-19	DIODE 1SS119-25		IC005	8-759-100-96	IC UPC4558G2	
D101	8-719-800-76	DIODE 1SS226		IC006	8-752-082-65	IC CXA2093S	
D104	8-719-970-83	DIODE HSS82		JACK			
D105	8-719-970-83	DIODE HSS82		J001 Δ	1-251-598-11	SOCKET, CRT	
D106	8-719-970-83	DIODE HSS82		COIL			
D201	8-719-800-76	DIODE 1SS226		L002	1-410-682-31	INDUCTOR	470UH
D204	8-719-970-83	DIODE HSS82		L005	1-412-529-11	INDUCTOR	22UH
D205	8-719-970-83	DIODE HSS82		L101	1-410-750-41	INDUCTOR	0.47UH
D206	8-719-970-83	DIODE HSS82		L102	1-216-296-91	SHORT	
D301	8-719-800-76	DIODE 1SS226		L201	1-410-750-41	INDUCTOR	0.47UH
D304	8-719-970-83	DIODE HSS82		L301	1-410-750-41	INDUCTOR	0.47UH
D305	8-719-970-83	DIODE HSS82		TRANSISTOR			
D306	8-719-970-83	DIODE HSS82		Q001	8-729-032-61	TRANSISTOR 2SC5022-02	
FERRITE BEAD				Q004	8-729-120-28	TRANSISTOR 2SC1623-L5L6	
FB001	1-412-911-11	FERRITE		Q005	8-729-045-08	TRANSISTOR NPS3646	
FB004	1-412-911-11	FERRITE		RESISTOR			
FB005	1-412-911-11	FERRITE		R002	1-216-053-00	RES,CHIP	1.5K 5% 1/10W
FB006	1-412-911-11	FERRITE		R003	1-216-067-00	RES,CHIP	5.6K 5% 1/10W
FB009	1-412-911-11	FERRITE		R004	1-216-055-00	RES,CHIP	1.8K 5% 1/10W
FB010	1-412-911-11	FERRITE		R005	1-216-113-00	RES,CHIP	470K 5% 1/10W
FB011	1-412-911-11	FERRITE		R006	1-216-025-91	RES,CHIP	100 5% 1/10W
FB012	1-412-911-11	FERRITE		R007	1-216-025-91	RES,CHIP	100 5% 1/10W
FB101	1-216-295-91	SHORT		R011	1-216-033-00	RES,CHIP	220 5% 1/10W
FB102	1-216-295-91	SHORT		R014	1-216-025-91	RES,CHIP	100 5% 1/10W
FB103 Δ	1-500-104-21	FERRITE		R016	1-216-073-00	RES,CHIP	10K 5% 1/10W
FB110	1-412-911-11	FERRITE		R017	1-216-025-91	RES,CHIP	100 5% 1/10W
FB201	1-216-295-91	SHORT		R018	1-216-025-91	RES,CHIP	100 5% 1/10W
FB202	1-216-295-91	SHORT		R020	1-216-025-91	RES,CHIP	100 5% 1/10W
FB203 Δ	1-500-104-21	FERRITE		R021	1-216-025-91	RES,CHIP	100 5% 1/10W
FB210	1-412-911-11	FERRITE		R024	1-216-065-91	RES,CHIP	4.7K 5% 1/10W
FB301	1-216-295-91	SHORT		R025	1-216-065-91	RES,CHIP	4.7K 5% 1/10W
FB302	1-216-295-91	SHORT		R026	1-216-073-00	RES,CHIP	10K 5% 1/10W
FB303 Δ	1-500-104-21	FERRITE		R029	1-216-099-00	RES,CHIP	120K 5% 1/10W
FB310	1-412-911-11	FERRITE		R031	1-216-049-91	RES,CHIP	1K 5% 1/10W
FILTER				R032	1-216-063-91	RES,CHIP	3.9K 5% 1/10W
FL002	1-412-911-11	FERRITE		R033	1-216-077-00	RES,CHIP	15K 5% 1/10W
IC							
IC001	8-752-076-89	IC CXA2055P					
IC002	8-759-435-33	IC LM2405T					



Note: The components identified by shading and mark **Δ** are critical for safety. Replace only with part number specified.

Note: Les composants identifiés par un trame et une marque **Δ** sont critiques pour la sécurité. Ne les remplacer que par une pièce portant le numéro spécifié.

REF.NO.	PART NO.	DESCRIPTION	REMARK	REF.NO.	PART NO.	DESCRIPTION	REMARK
R043	1-216-295-91	SHORT	0	SPARK GAP			
R045	1-216-057-00	RES,CHIP	2.2K 5% 1/10W	SG001Δ	1-519-422-11	GAP, SPARK	
R046	1-216-097-91	RES,CHIP	100K 5% 1/10W	SG101Δ	1-517-499-21	GAP, SPARK	
R047	1-216-073-00	RES,CHIP	10K 5% 1/10W	SG201Δ	1-517-499-21	GAP, SPARK	
R048	1-211-885-21	METAL	2.2M 5% 1W	SG301Δ	1-517-499-21	GAP, SPARK	
R049	1-216-697-91	METAL CHIP	82K 0.50% 1/10W	<div style="border: 1px solid black; padding: 5px; display: inline-block; font-size: 2em; font-weight: bold; margin-right: 10px;">D</div> <p>* A-1346-730-A D BOARD, COMPLETE (US/CANADIAN, AEP, NH, SH, AUS models made in US)</p> <p>* A-1346-743-A D BOARD, COMPLETE (AEP, UK models made in UK)</p> <p>1-533-223-11 CLIP, FUSE 1-564-506-11 PLUG, CONNECTOR 3P 1-691-960-11 PIN, CONNECTOR (PC BOARD) 3P 2-371-561-00 BUSHING (P), INSULATING 4-060-555-01 SHEET, INSULATOR 4-382-854-01 SCREW (M3X8), P, SW (+) 4-382-854-11 SCREW (M3X10), P, SW (+) 4-382-854-21 SCREW (M3X14), P, SW (+)</p> <p style="text-align: center;">CAPACITOR</p> <p>C401 1-107-914-11 ELECT 1000MF 20% 25V C402 1-106-228-00 MYLAR 0.22MF 10% 100V C403 1-126-969-11 ELECT 220MF 20% 50V C404 1-126-941-11 ELECT 470MF 20% 25V C405 1-137-374-11 FILM 0.047MF 5% 50V C406 1-137-368-11 FILM 0.0047MF 5% 50V C407 1-137-372-11 FILM 0.022MF 5% 50V C408 1-102-973-00 CERAMIC 100PF 5% 50V C501 1-126-964-11 ELECT 10MF 20% 50V C502 1-137-370-11 FILM 0.01MF 5% 50V C503 1-164-232-11 CERAMIC CHIP 0.01MF 10% 50V C504 1-164-645-11 CERAMIC 1000PF 10% 500V C505 1-109-879-11 CERAMIC 22PF 5% 2KV C506 1-126-960-11 ELECT 1MF 20% 50V C507 1-117-964-11 FILM 0.3MF 5% 400V C508 1-104-665-11 ELECT 100MF 20% 25V C509 1-162-117-00 CERAMIC 100PF 10% 500V C510 1-102-228-00 CERAMIC 470PF 10% 500V C511 1-119-862-11 FILM 0.3MF 5% 200V C512 1-164-232-11 CERAMIC CHIP 0.01MF 10% 50V C513 1-126-964-11 ELECT 10MF 20% 50V C514 1-119-861-11 FILM 0.91MF 5% 200V C515 1-164-232-11 CERAMIC CHIP 0.01MF 10% 50V C516 1-117-206-21 FILM 0.36MF 5% 250V C517 1-137-370-11 FILM 0.01MF 5% 50V</p>			
R051	1-216-049-91	RES,CHIP	1K 5% 1/10W				
R052	1-216-073-00	RES,CHIP	10K 5% 1/10W				
R053	1-219-621-91	METAL	22M 10% 1/4W				
R054	1-216-057-00	RES,CHIP	2.2K 5% 1/10W				
R055	1-247-815-91	CARBON	220 5% 1/4W				
R056	1-216-057-00	RES,CHIP	2.2K 5% 1/10W				
R064	1-202-830-00	SOLID	10K 20% 1/2W				
R101	1-215-394-00	METAL	75 1% 1/4W				
R104	1-216-021-00	RES,CHIP	68 5% 1/10W				
R106	1-216-073-00	RES,CHIP	10K 5% 1/10W				
R107	1-216-067-00	RES,CHIP	5.6K 5% 1/10W				
R108	1-216-069-00	RES,CHIP	6.8K 5% 1/10W				
R109	1-216-121-91	RES,CHIP	1M 5% 1/10W				
R110	1-215-477-00	METAL	220K 1% 1/4W				
R111	1-249-401-11	CARBON	47 5% 1/4W F				
R112	1-216-017-91	RES,CHIP	47 5% 1/10W				
R133	1-249-417-11	CARBON	1K 5% 1/4W				
R151	1-202-549-00	SOLID	100 20% 1/2W				
R201	1-215-394-00	METAL	75 1% 1/4W				
R204	1-216-021-00	RES,CHIP	68 5% 1/10W				
R206	1-216-073-00	RES,CHIP	10K 5% 1/10W				
R207	1-216-067-00	RES,CHIP	5.6K 5% 1/10W				
R208	1-216-069-00	RES,CHIP	6.8K 5% 1/10W				
R209	1-216-121-91	RES,CHIP	1M 5% 1/10W				
R210	1-215-477-00	METAL	220K 1% 1/4W				
R211	1-249-401-11	CARBON	47 5% 1/4W F				
R212	1-216-017-91	RES,CHIP	47 5% 1/10W				
R233	1-249-417-11	CARBON	1K 5% 1/4W				
R251	1-202-549-00	SOLID	100 20% 1/2W				
R301	1-215-394-00	METAL	75 1% 1/4W				
R304	1-216-021-00	RES,CHIP	68 5% 1/10W				
R306	1-216-073-00	RES,CHIP	10K 5% 1/10W				
R307	1-216-067-00	RES,CHIP	5.6K 5% 1/10W				
R308	1-216-069-00	RES,CHIP	6.8K 5% 1/10W				
R309	1-216-121-91	RES,CHIP	1M 5% 1/10W				
R310	1-215-477-00	METAL	220K 1% 1/4W				
R311	1-249-401-11	CARBON	47 5% 1/4W F				
R312	1-216-017-91	RES,CHIP	47 5% 1/10W				
R333	1-249-417-11	CARBON	1K 5% 1/4W				
R351	1-202-549-00	SOLID	100 20% 1/2W				



Note: The components identified by shading and mark Δ are critical for safety. Replace only with part number specified.

Note: Les composants identifiés par un trame et une marque Δ sont critiques pour la sécurité. Ne les remplacer que par une pièce portant le numéro spécifique.

REF.NO.	PART NO.	DESCRIPTION	REMARK			REF.NO.	PART NO.	DESCRIPTION	REMARK		
C518	1-117-954-11	FILM	4300PF	3%	1.8KV	C576	1-163-243-11	CERAMIC CHIP	47PF	5%	50V
C519	1-136-538-11	FILM	0.001MF	3%	2KV	C577	1-115-349-51	CERAMIC	0.01MF		2KV
C520	1-164-232-11	CERAMIC CHIP	0.01MF	10%	50V	C578	1-161-754-00	CERAMIC	0.001MF	10%	2KV
C521	1-107-444-11	CERAMIC	100PF	5%	2KV	C579	1-109-879-11	CERAMIC	22PF	5%	2KV
C522	1-136-481-11	MYLAR	0.0022MF	10%	100V	C580	1-137-370-11	FILM	0.01MF	5%	50V
C523	1-115-511-11	FILM	0.12MF	5%	200V	C582	1-126-964-11	ELECT	10MF	20%	50V
C524	1-107-955-11	ELECT	100MF	20%	200V	C583	1-130-495-00	FILM	0.1MF	5%	50V
C525	1-119-860-11	FILM	0.082MF	5%	200V	C584	1-130-495-00	FILM	0.1MF	5%	50V
C526	1-164-646-11	CERAMIC	2200PF	10%	500V	C601 Δ	1-117-693-11	CERAMIC	100PF	10%	250V
C527	1-117-879-91	CAPACITOR	0.01MF	10%	250V	C602 Δ	1-117-703-11	CERAMIC	0.0047MF	20%	250V
C528	1-115-349-51	CERAMIC	0.01MF		2KV	C604 Δ	1-104-708-11	FILM	0.47MF	20%	250V
C529	1-136-060-00	FILM	0.047MF	5%	400V	C605 Δ	1-107-533-11	FILM	1MF	20%	250V
C530	1-115-511-11	FILM	0.12MF	5%	200V	C606 Δ	1-117-703-11	CERAMIC	0.0047MF	20%	250V
C531	1-115-509-11	FILM	0.068MF	5%	250V	C608 Δ	1-117-693-11	CERAMIC	100PF	10%	250V
C532	1-137-426-11	FILM	0.47MF	10%	100V	C610	1-109-984-11	ELECT(BLOCK)	390MF	20%	400V
C535	1-137-370-11	FILM	0.01MF	5%	50V	C613	1-136-203-11	FILM	10000PF	5%	630V
C536	1-164-232-11	CERAMIC CHIP	0.01MF	10%	50V	C614	1-136-177-00	FILM	1MF	5%	50V
C538	1-164-232-11	CERAMIC CHIP	0.01MF	10%	50V	C615	1-137-364-11	FILM	0.001MF	5%	50V
C539	1-137-418-11	FILM	0.022MF	10%	100V	C616	1-130-014-00	CERAMIC	470PF	5%	50V
C540	1-136-203-11	FILM	10000PF	5%	630V	C617	1-137-366-11	FILM	0.0022MF	5%	50V
C541	1-126-963-11	ELECT	4.7MF	20%	50V	C618	1-102-106-00	CERAMIC	100PF	10%	50V
C542	1-126-964-11	ELECT	10MF	20%	50V	C619	1-125-700-11	ELECT(BLOCK)	220MF	20%	200V
C543	1-102-973-00	CERAMIC	100PF	5%	50V	C620	1-107-933-11	ELECT	100MF	20%	100V
C544	1-137-370-11	FILM	0.01MF	5%	50V	C621	1-107-890-11	ELECT	2200MF	20%	25V
C545	1-163-037-11	CERAMIC CHIP	0.022MF	10%	50V	C622	1-126-941-11	ELECT	470MF	20%	25V
C546	1-163-259-91	CERAMIC CHIP	220PF	5%	50V	C623	1-126-942-61	ELECT	1000MF	20%	25V
C547	1-126-960-11	ELECT	1MF	20%	50V	C624	1-126-935-11	ELECT	470MF	20%	16V
C548	1-137-364-11	FILM	0.001MF	5%	50V	C625	1-249-441-11	CARBON	100K	5%	1/4W
C549	1-137-375-11	FILM	0.068MF	5%	50V	C626	1-107-889-11	ELECT	220MF	20%	25V
C550	1-126-933-11	ELECT	100MF	20%	16V	C627	1-107-889-11	ELECT	220MF	20%	25V
C551	1-164-232-11	CERAMIC CHIP	0.01MF	10%	50V	C628	1-104-665-11	ELECT	100MF	20%	25V
C552	1-164-232-11	CERAMIC CHIP	0.01MF	10%	50V	C629	1-117-703-11	CERAMIC	0.0047MF	20%	250V
C553	1-163-009-11	CERAMIC CHIP	0.001MF	10%	50V	C630	1-130-495-00	FILM	0.1MF	5%	50V
C554	1-164-004-11	CERAMIC CHIP	0.1MF	10%	25V	C632	1-107-914-11	ELECT	1000MF	20%	25V
C555	1-130-495-00	FILM	0.1MF	5%	50V	C633	1-126-935-11	ELECT	470MF	20%	16V
C556	1-163-259-91	CERAMIC CHIP	220PF	5%	50V	C634	1-126-940-11	ELECT	330MF	20%	25V
C557	1-126-965-11	ELECT	22MF	20%	50V	C635	1-137-370-11	FILM	0.01MF	5%	50V
C558	1-126-960-11	ELECT	1MF	20%	50V	C637	1-130-495-00	FILM	0.1MF	5%	50V
C559	1-137-368-11	FILM	0.0047MF	5%	50V	C640	1-117-703-11	CERAMIC	0.0047MF	20%	250V
C560	1-117-206-21	FILM	0.36MF	5%	250V	C642 Δ	1-117-703-11	CERAMIC	0.0047MF	20%	250V
C561	1-163-009-11	CERAMIC CHIP	0.001MF	10%	50V	C643 Δ	1-117-703-11	CERAMIC	0.0047MF	20%	250V
C562	1-126-933-11	ELECT	100MF	20%	16V	C644	1-104-664-11	ELECT	47MF	20%	25V
C563	1-163-005-11	CERAMIC CHIP	470PF	10%	50V	C645	1-137-358-11	FILM	0.0001MF	5%	50V
C570	1-104-665-11	ELECT	100MF	20%	25V	C647	1-102-228-00	CERAMIC	470PF	10%	500V
C571	1-126-964-11	ELECT	10MF	20%	50V	C661	1-102-516-11	CERAMIC	27PF	5%	50V
C572	1-107-651-11	ELECT	4.7MF	20%	250V	C662	1-126-933-11	ELECT	100MF	20%	16V
C573	1-107-651-11	ELECT	4.7MF	20%	250V	C701	1-164-004-11	CERAMIC CHIP	0.1MF	10%	25V
C574	1-117-879-91	CAPACITOR	0.01MF	10%	250V	C702	1-126-964-11	ELECT	10MF	20%	50V
C575	1-107-955-11	ELECT	100MF	20%	200V	C703	1-136-169-00	FILM	0.22MF	5%	50V



Note: The components identified by shading and mark Δ are critical for safety. Replace only with part number specified.

Note: Les composants identifiés par un trame et une marque Δ sont critiques pour la sécurité. Ne les remplacer que par une pièce portant le numéro spécifié.

REF.NO.	PART NO.	DESCRIPTION	REMARK	REF.NO.	PART NO.	DESCRIPTION	REMARK
C704	1-163-259-91	CERAMIC CHIP	220PF 5% 50V	<u>CONNECTOR</u>			
C705	1-130-495-00	FILM	0.1MF 5% 50V	CN501 *	1-580-798-11	CONNECTOR PIN (DY) 6P	
C706	1-102-973-00	CERAMIC	100PF 5% 50V	CN502 *	1-564-512-11	PLUG, CONNECTOR 9P	
C707	1-102-973-00	CERAMIC	100PF 5% 50V	CN512	1-695-915-11	TAB (CONTACT)	
C708	1-130-495-00	FILM	0.1MF 5% 50V	CN513	1-695-915-11	TAB (CONTACT)	
C709	1-126-941-11	ELECT	470MF 20% 25V	CN602 *	1-506-371-00	PIN, CONNECTOR 2P	
C710	1-126-941-11	ELECT	470MF 20% 25V	CN603 Δ *	1-580-690-11	PIN, CONNECTOR (PC BOARD) 2P	
C711	1-130-495-00	FILM	0.1MF 5% 50V	CN604 Δ *	1-580-689-11	PIN, CONNECTOR (PC BOARD) 4P	
C712	1-130-495-00	FILM	0.1MF 5% 50V	CN605	1-695-915-11	TAB (CONTACT)	
C713	1-126-927-11	ELECT	2200MF 20% 10V	CN701	1-564-511-11	PLUG, CONNECTOR 8P	
C714	1-163-131-00	CERAMIC CHIP	390PF 5% 50V	CN901 *	1-508-879-11	BASE POST 4P	
C715	1-126-935-11	ELECT	470MF 20% 16V	CN902	1-564-513-11	PLUG, CONNECTOR 10P	
C902	1-126-935-11	ELECT	470MF 20% 16V	CN903 *	1-564-510-11	PLUG, CONNECTOR 7P	
C903	1-164-232-11	CERAMIC CHIP	0.01MF 10% 50V	CN904 *	1-564-506-11	PLUG, CONNECTOR 3P	
C905	1-137-375-11	FILM	0.068MF 5% 50V	CN0002	1-695-915-11	TAB (CONTACT)	
C906	1-136-177-00	FILM	1MF 5% 50V	CN9901	1-900-802-23	CONNECTOR ASSY, 4P	
C907	1-126-960-11	ELECT	1MF 20% 50V	CN9902	1-900-802-23	CONNECTOR ASSY, 4P	
C908	1-164-232-11	CERAMIC CHIP	0.01MF 10% 50V	<u>DIODE</u>			
C909	1-126-926-11	ELECT	1000MF 20% 10V	D401	8-719-979-58	DIODE EGP10D	
C910	1-130-495-00	FILM	0.1MF 5% 50V	D402	8-719-109-81	DIODE RD4.7ESB2	
C911	1-137-370-11	FILM	0.01MF 5% 50V	D403	8-719-911-19	DIODE 1SS119-25	
C912	1-126-933-11	ELECT	100MF 20% 16V	D501	8-719-110-31	DIODE RD12ESB2	
C913	1-130-495-00	FILM	0.1MF 5% 50V	D502	8-719-975-77	DIODE SB340	
C914	1-102-514-11	CERAMIC	22PF 5% 50V	D504	8-719-110-49	DIODE RD18ESB2	
C915	1-102-514-11	CERAMIC	22PF 5% 50V	D505	8-719-941-74	DIODE ERB91-02	
C916	1-126-965-11	ELECT	22MF 20% 50V	D506	8-719-061-21	DIODE FMQ-G5FMS	
C917	1-164-232-11	CERAMIC CHIP	0.01MF 10% 50V	D507	8-719-109-85	DIODE RD5.1ESB2	
C918	1-126-964-11	ELECT	10MF 20% 50V	D509	8-719-110-17	DIODE RD10ESB2	
C920	1-164-232-11	CERAMIC CHIP	0.01MF 10% 50V	D510	8-719-018-82	DIODE ERA34-10TPI	
C921	1-126-935-11	ELECT	470MF 20% 16V	D511	8-719-109-85	DIODE RD5.1ESB2	
C922	1-126-960-11	ELECT	1MF 20% 50V	D512	8-719-911-19	DIODE 1SS119-25	
C923	1-163-133-00	CERAMIC CHIP	470PF 5% 50V	D513	8-719-066-40	DIODE MUR160	
C924	1-126-965-11	ELECT	22MF 20% 50V	D514	8-719-970-83	DIODE HSS82	
C925	1-164-232-11	CERAMIC CHIP	0.01MF 10% 50V	D515	8-719-018-82	DIODE RGP02-20EL-6394	
C926	1-126-935-11	ELECT	470MF 20% 16V	D516	8-719-051-97	DIODE 3DL41A(LC6-15)	
C927	1-164-232-11	CERAMIC CHIP	0.01MF 10% 50V	D517 Δ	8-719-110-67	DIODE RD27ESB2	
C928	1-164-232-11	CERAMIC CHIP	0.01MF 10% 50V	D518	8-719-110-17	DIODE RD10ESB2	
C929	1-163-009-11	CERAMIC CHIP	0.001MF 10% 50V	D519	8-719-911-19	DIODE 1SS119-25	
C930	1-137-370-11	FILM	0.01MF 5% 50V	D520	8-719-018-82	DIODE ERA34-10TP1	
C931	1-163-133-00	CERAMIC CHIP	470PF 5% 50V	D521	8-719-018-82	DIODE ERA34-10TPI	
C932	1-164-232-11	CERAMIC CHIP	0.01MF 10% 50V	D522	8-719-911-19	DIODE 1SS119-25	
C933	1-164-232-11	CERAMIC CHIP	0.01MF 10% 50V	D523	8-719-911-19	DIODE 1SS119-25	
C934	1-163-243-11	CERAMIC CHIP	47PF 5% 50V	D524	8-719-970-83	DIODE HSS82	
C935	1-136-177-00	FILM	1MF 5% 50V	D525	8-719-970-83	DIODE HSS82	
C936	1-163-259-91	CERAMIC CHIP	220PF 5% 50V	D527	8-719-109-85	DIODE RD5.1ESB2	



Note: The components identified by shading and mark Δ are critical for safety. Replace only with part number specified.

Note: Les composants identifiés par un trame et une marque Δ sont critiques pour la sécurité. Ne les remplacer que par une pièce portant le numéro spécifique.

REF.NO.	PART NO.	DESCRIPTION	REMARK	REF.NO.	PART NO.	DESCRIPTION	REMARK
D601 Δ	8-719-025-88	DIODE GBU4JL-6088		D933	8-719-158-15	DIODE RD5.6SB	
D602	8-719-911-19	DIODE 1SS119-25		D934	8-719-158-15	DIODE RD5.6SB	
D605	8-719-911-19	DIODE 1SS119-25		D935	8-719-976-99	DIODE DTZ5.1B	
D606	8-719-986-73	DIODE RB441Q		D9911	8-719-158-15	DIODE RD5.6SB	
D607	8-719-053-19	DIODE UF4007G23		D9913	8-719-158-15	DIODE RD5.6SB	
D608	8-719-110-49	DIODE RD18ESB2					
D609	8-719-986-73	DIODE RB441Q		FUSE			
D610	8-719-302-43	DIODE EL1Z		F601 Δ	1-576-231-11	FUSE (H.B.C.) 4A/250V	
D611	8-719-970-83	DIODE HSS82					
D612	8-719-067-68	DIODE FMC-26UA					
D613	8-719-979-58	DIODE EGP10D					
D614	8-719-058-38	DIODE FMN-G12S		FERRITE BEAD			
D615	8-719-051-97	DIODE 3DL41A(LC6-15)		FB502	1-410-396-41	FERRITE	0.45UH
D616	8-719-048-61	DIODE EGP20DL-6349		FB504	1-412-911-11	FERRITE	
D617	8-719-979-84	DIODE EGP20DPKG23		FB506	1-412-911-11	FERRITE	
D618	8-719-979-84	DIODE EGP20DPKG23		FB601	1-410-396-41	FERRITE	0.45UH
D622	8-719-110-08	DIODE RD8.2ESB2		FB602	1-410-396-41	FERRITE	0.45UH
D624	8-719-911-19	DIODE 1SS119-25		FB603	1-414-487-41	INDUCTOR	1UH
D625	8-719-987-87	DIODE ERA85-009		FB604	1-412-911-11	FERRITE	
D626	8-719-987-87	DIODE ERA85-009		FB605	1-412-911-11	FERRITE	
D648	8-719-110-36	DIODE RD13ES-T1B2		FB606	1-410-396-41	FERRITE	0.45UH
D649	8-719-991-33	DIODE 1SS133T-77		FB607	1-412-911-11	FERRITE	
D654	8-719-109-60	DIODE RD2.7ESB2		FB608 Δ	1-412-911-11	FERRITE	
D704	8-719-911-19	DIODE 1SS119-25		FB609 Δ	1-412-911-11	FERRITE	
D901	8-719-911-19	DIODE 1SS119-25		FB610 Δ	1-412-911-11	FERRITE	
D902	8-719-109-89	DIODE RD5.6ESB2		FB611 Δ	1-412-911-11	FERRITE	
D903	8-719-986-73	DIODE RB441Q		FB612 Δ	1-412-911-11	FERRITE	
D905	8-719-911-19	DIODE 1SS119-25		FB613 Δ	1-412-911-11	FERRITE	
D906	8-719-911-19	DIODE 1SS119-25		FB614 Δ	1-412-911-11	FERRITE	
D907	8-719-911-19	DIODE 1SS119-25		FB615 Δ	1-412-911-11	FERRITE	
D908	8-719-911-19	DIODE 1SS119-25		FB616	1-412-911-11	FERRITE	
D909	8-719-109-89	DIODE RD5.6ESB2		FB617	1-412-911-11	FERRITE	
D910	8-719-109-89	DIODE RD5.6ESB2		FB902	1-247-807-31	CARBON	100 5% 1/4W
D914	8-719-911-19	DIODE 1SS119-25		FB904	1-543-961-11	FERRITE	
D916	8-719-911-19	DIODE 1SS119-25					
D917	8-719-158-15	DIODE RD5.6SB		IC			
D918	8-719-109-89	DIODE RD5.6ESB2		IC401	8-759-444-83	IC LA7840L	
D919	8-719-109-89	DIODE RD5.6ESB2		IC501 Δ	8-759-478-76	IC UPC5021-109	
D920	8-719-986-73	DIODE RB441Q		IC502	8-759-803-42	IC LA6500-FA	
D922	8-719-404-49	DIODE MA111		IC503	8-759-803-42	IC LA6500-FA	
D923	8-719-404-49	DIODE MA111		IC601 Δ	8-759-399-81	IC MC44603P	
D924	8-719-404-49	DIODE MA111		IC603 Δ	8-749-012-59	IC MOC8105TV	
D925	8-719-404-49	DIODE MA111		IC604 Δ	8-759-908-15	IC TL431CLP	
D928	8-719-158-15	DIODE RD5.6SB		IC605 Δ	8-759-072-98	IC TDA8138A	
D929	8-719-158-15	DIODE RD5.6SB		IC701	8-759-478-66	IC CXA8070P	
D930	8-719-158-15	DIODE RD5.6SB		IC702	8-749-014-32	IC STK392-910A	
D931	8-719-158-15	DIODE RD5.6SB					
D932	8-719-158-15	DIODE RD5.6SB					



Note: The components identified by shading and mark Δ are critical for safety. Replace only with part number specified.

Note: Les composants identifiés par un trame et une marque Δ sont critiques pour la sécurité. Ne les remplacer que par une pièce portant le numéro spécifié.

REF.NO.	PART NO.	DESCRIPTION	REMARK	REF.NO.	PART NO.	DESCRIPTION	REMARK
IC900	8-759-525-10	IC TC7SET08F(TE85L)		L901	1-412-537-31	INDUCTOR 100UH	
IC901	8-759-529-90	IC CXD8757S		L902	1-412-537-31	INDUCTOR 100UH	
IC902	8-759-537-27	IC CXA8071AP		FILTER			
IC904	8-759-165-81	IC PST600D-T		LF602 Δ	1-429-180-11	TRANSFORMER, LINE FILTER	
IC905	8-759-370-34	IC ST24C08FB6		TRANSISTOR			
CHIP CONDUCTOR				Q501	8-729-119-78	TRANSISTOR 2SC2785-HFE	
JR001	1-216-296-91	SHORT		Q502	8-729-119-76	TRANSISTOR 2SA1175-HFE	
JR002	1-216-296-91	SHORT		Q503	8-729-035-54	TRANSISTOR 2SJ449	
JR003	1-216-295-91	SHORT		Q504	8-729-031-89	TRANSISTOR 2SC3941A-Q(TA)	
JR004	1-216-296-91	SHORT		Q505	8-729-119-76	TRANSISTOR 2SA1175-HFE	
JR005	1-216-296-91	SHORT		Q506	8-729-119-76	TRANSISTOR 2SA1175-HFE	
JR007	1-216-296-91	SHORT		Q507	8-729-041-64	TRANSISTOR BU2527AX-ON5020	
JR008	1-216-296-91	SHORT		Q508	8-729-119-78	TRANSISTOR 2SC2785-HFE	
JR009	1-216-296-91	SHORT		Q510	8-729-042-45	TRANSISTOR STP5NA80FI	
JR010	1-216-296-91	SHORT		Q511 Δ	8-729-042-34	TRANSISTOR IRFU110A	
JR011	1-216-296-91	SHORT		Q512	8-729-043-16	TRANSISTOR IRLI520GLF33	
JR013	1-216-296-91	SHORT		Q513	8-729-041-95	TRANSISTOR IRLI540GLF33	
JR015	1-216-296-91	SHORT		Q514	8-729-041-93	TRANSISTOR IRLI530GLF33	
JR016	1-216-296-91	SHORT		Q515	8-729-043-16	TRANSISTOR IRLI520GLF33	
JR017	1-216-296-91	SHORT		Q516	8-729-043-16	TRANSISTOR IRLI520GLF33	
JR018	1-216-296-91	SHORT		Q517	8-729-326-11	TRANSISTOR 2SC2611	
JR019	1-216-296-91	SHORT		Q518	8-729-140-50	TRANSISTOR 2SC3209LK	
JR020	1-216-296-91	SHORT		Q519	8-729-119-78	TRANSISTOR 2SC2785-HFE	
JR022	1-216-296-91	SHORT		Q520	8-729-042-23	TRANSISTOR IRFI9620GSLF35	
JR023	1-216-296-91	SHORT		Q521	8-729-119-76	TRANSISTOR 2SA1175-HFE	
JR024	1-216-296-91	SHORT		Q522	8-729-119-76	TRANSISTOR 2SA1175-HFE	
JR025	1-216-296-91	SHORT		Q523	8-729-119-76	TRANSISTOR 2SA1175-HFE	
JR026	1-216-296-91	SHORT		Q601	8-729-029-92	TRANSISTOR DTC143ESA	
JR027	1-216-296-91	SHORT		Q602 Δ	8-729-926-79	TRANSISTOR IRFIBC40	
JR030	1-216-296-91	SHORT		Q604 Δ	8-729-029-66	TRANSISTOR DTC114ESA	
COIL				Q605	8-729-141-83	TRANSISTOR 2SB1094-LK	
L501	1-412-531-31	INDUCTOR 33UH		Q606	8-729-029-66	TRANSISTOR DTC114ESA	
L502	1-412-531-31	INDUCTOR 33UH		Q901	8-729-119-78	TRANSISTOR 2SC2785-HFE	
L503	1-411-594-41	INDUCTOR		Q902	8-729-119-78	TRANSISTOR 2SC2785-HFE	
L505	1-412-552-11	INDUCTOR 2.2MMH		Q903	8-729-119-78	TRANSISTOR 2SC2785-HFE	
L506	1-412-545-11	INDUCTOR 470UH		RESISTOR			
L508	1-416-394-11	COIL, HORIZONTAL LINEARITY		R401	1-249-383-11	CARBON 1.5 5% 1/4W F	
L509	1-416-393-11	COIL, HORIZONTAL LINEARITY		R402	1-215-866-11	METAL OXIDE 330 5% 1W F	
L510	1-416-367-11	COIL, HORIZONTAL CENTER		R403	1-214-796-00	METAL 1.5 1% 1/2W	
L603	1-412-537-31	INDUCTOR 100UH		R404	1-215-439-00	METAL 5.6K 1% 1/4W	
L604	1-412-537-31	INDUCTOR 100UH		R405	1-214-796-00	METAL 1.5 1% 1/2W	
L605	1-406-665-11	INDUCTOR					
L606	1-406-665-11	INDUCTOR					
L701	1-412-537-31	INDUCTOR 100UH					
L702	1-412-537-31	INDUCTOR 100UH					



Note: The components identified by shading and mark Δ are critical for safety. Replace only with part number specified.

Note: Les composants identifiés par un trame et une marque Δ sont critiques pour la sécurité. Ne les remplacer que par une pièce portant le numéro spécifique.

REF.NO.	PART NO.	DESCRIPTION	REMARK	REF.NO.	PART NO.	DESCRIPTION	REMARK
R406	1-216-677-11	METAL CHIP	12K 0.50% 1/10W	R544	1-215-493-00	METAL	1M 1% 1/4W
R407	1-249-421-11	CARBON	2.2K 5% 1/4W	R545 Δ	1-216-691-11	METAL CHIP	47K 0.50% 1/10W
R408	1-216-073-00	RES,CHIP	10K 5% 1/10W	R546 Δ	1-215-457-00	METAL	33K 1% 1/4W
R409	1-216-671-11	METAL CHIP	6.8K 0.50% 1/10W	R547 Δ	1-215-487-00	METAL	560K 1% 1/4W
R410	1-215-447-00	METAL	12K 1% 1/4W	R548 Δ	1-216-657-11	METAL CHIP	1.8K 0.50% 1/10W
R411	1-216-688-11	METAL CHIP	36K 0.50% 1/10W	R549 Δ	1-215-467-00	METAL	82K 1% 1/4W
R500	1-249-377-11	CARBON	0.47 5% 1/4W F	R550 Δ	1-215-427-00	METAL	1.8K 1% 1/4W
R501	1-247-807-31	CARBON	100 5% 1/4W	R551	1-215-453-00	METAL	22K 1% 1/4W
R502	1-218-758-11	METAL CHIP	180K 0.50% 1/10W	R552 Δ	1-215-463-00	METAL	56K 1% 1/4W
R503	1-216-675-11	METAL CHIP	10K 0.50% 1/10W	R553	1-216-699-11	METAL CHIP	100K 0.50% 1/10W
R504	1-249-377-11	CARBON	0.47 5% 1/4W F	R554	1-218-756-11	METAL CHIP	150K 0.50% 1/10W
R505	1-216-073-00	RES,CHIP	10K 5% 1/10W	R555	1-216-691-11	METAL CHIP	47K 0.50% 1/10W
R506	1-215-481-00	METAL	330K 1% 1/4W	R557	1-216-079-00	RES,CHIP	18K 5% 1/10W
R507	1-215-431-00	METAL	2.7K 1% 1/4W	R558	1-215-445-00	METAL	10K 1% 1/4W
R508	1-247-807-31	CARBON	100 5% 1/4W	R559	1-215-431-00	METAL	2.7K 1% 1/4W
R509	1-247-863-91	CARBON	22K 5% 1/4W	R560	1-215-449-00	METAL	15K 1% 1/4W
R510	1-216-081-00	RES,CHIP	22K 5% 1/10W	R561	1-216-474-11	METAL OXIDE	82 5% 3W F
R511	1-249-381-11	CARBON	1 5% 1/4W F	R562	1-215-447-00	METAL	12K 1% 1/4W
R512	1-249-389-11	CARBON	4.7 5% 1/4W	R563	1-249-383-11	CARBON	1.5 5% 1/4W F
R513	1-215-888-00	METAL OXIDE	220 5% 2W F	R564	1-216-089-91	RES,CHIP	47K 5% 1/10W
R514	1-216-081-00	RES,CHIP	22K 5% 1/10W	R565	1-215-481-00	METAL	330K 1% 1/4W
R515	1-249-417-11	CARBON	1K 5% 1/4W F	R566	1-215-859-00	METAL OXIDE	22 5% 1W F
R516	9-910-999-31	METAL	150 1% 1/2W	R567	1-216-073-00	RES,CHIP	10K 5% 1/10W
R517	1-216-393-00	METAL OXIDE	2.2 5% 3W F	R568	1-249-437-11	CARBON	47K 5% 1/4W
R518	1-216-393-00	METAL OXIDE	2.2 5% 3W F	R569	1-216-643-11	METAL CHIP	470 0.50% 1/10W
R519	1-216-089-91	RES,CHIP	47K 5% 1/10W	R570	1-249-417-11	CARBON	1K 5% 1/4W
R520	1-249-397-11	CARBON	22 5% 1/4W F	R571	1-215-926-00	METAL OXIDE	33K 5% 3W F
R521	1-249-417-11	CARBON	1K 5% 1/4W F	R572	1-249-437-11	CARBON	47K 5% 1/4W
R522	1-249-401-11	CARBON	47 5% 1/4W	R573	1-247-887-00	CARBON	220K 5% 1/4W
R523	1-216-089-91	RES,CHIP	47K 5% 1/10W	R574	1-249-429-11	CARBON	10K 5% 1/4W
R524	1-216-089-91	RES,CHIP	47K 5% 1/10W	R575	1-260-314-11	CARBON	68 5% 1/2W
R525	1-249-417-11	CARBON	1K 5% 1/4W F	R576	1-249-437-11	CARBON	47K 5% 1/4W
R526	1-249-425-11	CARBON	4.7K 5% 1/4W	R577	1-216-447-00	METAL OXIDE	27 5% 2W F
R527	1-249-429-11	CARBON	10K 5% 1/4W	R578	1-216-447-00	METAL OXIDE	27 5% 2W F
R528	1-247-863-91	CARBON	22K 5% 1/4W	R579	1-247-883-00	CARBON	150K 5% 1/4W
R529	1-249-429-11	CARBON	10K 5% 1/4W F	R580	1-216-077-00	RES,CHIP	15K 5% 1/10W
R530	1-216-474-11	METAL OXIDE	82 5% 3W F	R581	1-249-429-11	CARBON	10K 5% 1/4W
R531	1-216-474-11	METAL OXIDE	82 5% 3W F	R582	1-249-402-11	CARBON	56 5% 1/4W F
R532	1-249-385-11	CARBON	2.2 5% 1/4W F	R583	1-216-073-00	RES,CHIP	10K 5% 1/10W
R533	1-249-417-11	CARBON	1K 5% 1/4W F	R584	1-216-065-91	RES,CHIP	4.7K 5% 1/10W
R534	1-249-405-11	CARBON	100 5% 1/4W F	R585	1-260-099-11	CARBON	1K 5% 1/2W
R535	1-216-089-91	RES,CHIP	47K 5% 1/10W	R586	1-260-103-11	CARBON	2.2K 5% 1/2W
R536	1-249-417-11	CARBON	1K 5% 1/4W F	R587	1-216-049-91	RES,CHIP	1K 5% 1/10W
R537	1-216-089-91	RES,CHIP	47K 5% 1/10W	R589	1-249-425-11	CARBON	4.7K 5% 1/4W
R538	1-215-905-11	METAL OXIDE	10 5% 3W F	R590	1-215-453-00	METAL	22K 1% 1/4W
R539	1-215-905-11	METAL OXIDE	10 5% 3W F	R591	9-910-999-31	METAL	150 1% 1/2W
R540	1-215-476-00	METAL	200K 1% 1/4W	R592	9-910-999-31	METAL	150 1% 1/2W
R541	1-215-421-00	METAL	1K 1% 1/4W	R593	1-215-423-00	METAL	1.2K 1% 1/4W
R542	1-215-421-00	METAL	1K 1% 1/4W	R600 Δ	1-205-998-11	CEMENTED	1 5% 10W
R543	1-249-389-11	CARBON	4.7 5% 1/4W F				



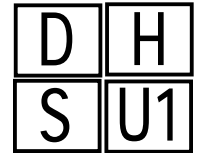
Note: The components identified by shading and mark Δ are critical for safety. Replace only with part number specified.

Note: Les composants identifiés par un trame et une marque Δ sont critiques pour la sécurité. Ne les remplacer que par une pièce portant le numéro spécifié.

REF.NO.	PART NO.	DESCRIPTION	REMARK	REF.NO.	PART NO.	DESCRIPTION	REMARK
R603	1-249-403-11	CARBON	68 5% 1/4W	R710	1-249-429-11	CARBON	10K 5% 1/4W
R604 Δ	1-202-847-00	SOLID	560K 20% 1/2W	R711	1-216-346-00	METAL OXIDE	0.56 5% 1W F
R605 Δ	1-202-933-61	FUSIBLE	0.1 10% 1/2W F	R712	1-215-860-11	METAL OXIDE	33 5% 1W F
R609	1-215-927-00	METAL OXIDE	47K 5% 3W F	R713	1-216-347-11	METAL OXIDE	0.68 5% 1W F
R610	1-215-927-00	METAL OXIDE	47K 5% 3W F	R716	1-215-860-11	METAL OXIDE	33 5% 1W F
R611	1-215-445-00	METAL	10K 1% 1/4W	R717	1-216-353-00	METAL OXIDE	2.2 5% 1W F
R612	1-249-392-11	CARBON	8.2 5% 1/4W	R718	1-215-863-11	METAL OXIDE	100 5% 1W F
R613	1-249-429-11	CARBON	10K 5% 1/4W	R719	1-249-431-11	CARBON	15K 5% 1/4W
R614	1-216-381-11	METAL OXIDE	0.22 5% 3W F	R724	1-216-423-11	METAL OXIDE	27 5% 1W F
R615	1-247-885-00	CARBON	180K 5% 1/4W	R727	1-249-431-11	CARBON	15K 5% 1/4W
R617	1-249-417-11	CARBON	1K 5% 1/4W	R728	1-215-863-11	METAL OXIDE	100 5% 1W F
R618	1-215-411-00	METAL	390 1% 1/4W	R729	1-216-353-00	METAL OXIDE	2.2 5% 1W F
R619	1-249-421-11	CARBON	2.2K 5% 1/4W	R730	1-215-860-11	METAL OXIDE	33 5% 1W F
R620	1-247-863-91	CARBON	22K 5% 1/4W	R903	1-249-417-11	CARBON	1K 5% 1/4W
R621 Δ	1-211-761-11	FUSIBLE	0.1 10% 1/2W	R904	1-249-417-11	CARBON	1K 5% 1/4W
R622 Δ	1-211-874-11	FUSIBLE	0.12 10% 1/2W	R906	1-216-073-00	RES,CHIP	10K 5% 1/10W
R623 Δ	1-211-874-11	FUSIBLE	0.12 10% 1/2W	R907	1-260-087-11	CARBON	100 5% 1/2W
R624 Δ	1-219-154-11	FUSIBLE	0.12 10% 1/4W	R908	1-216-057-00	RES,CHIP	2.2K 5% 1/10W
R625 Δ	1-219-154-11	FUSIBLE	0.12 10% 1/4W	R909	1-216-057-00	RES,CHIP	2.2K 5% 1/10W
R626	1-215-405-00	METAL	220 1% 1/4W	R910	1-247-815-91	CARBON	220 5% 1/4W
R627	1-130-495-00	CARBON	0.1MF 5% 50V	R911	1-249-412-11	CARBON	390 5% 1/4W
R628	1-215-479-00	METAL	270K 1% 1/4W	R912	1-249-417-11	CARBON	1K 5% 1/4W
R629	1-215-449-00	METAL	15K 1% 1/4W	R913	1-247-807-31	CARBON	100 5% 1/4W
R630	1-215-437-00	METAL	4.7K 1% 1/4W	R914	1-247-807-31	CARBON	100 5% 1/4W
R631	1-215-405-00	METAL	220 1% 1/4W	R915	1-216-065-91	RES,CHIP	4.7K 5% 1/10W
R632	1-216-033-00	RES,CHIP	220 5% 1/10W	R916	1-216-077-00	RES,CHIP	15K 5% 1/10W
R633	1-249-429-11	CARBON	10K 5% 1/4W	R917	1-216-077-00	RES,CHIP	15K 5% 1/10W
R634	1-249-431-11	CARBON	15K 5% 1/4W	R918	1-249-417-11	CARBON	1K 5% 1/4W
R635	1-216-049-91	RES,CHIP	1K 5% 1/10W	R919	1-249-417-11	CARBON	1K 5% 1/4W
R636	1-216-049-91	RES,CHIP	1K 5% 1/10W	R920	1-216-049-91	RES,CHIP	1K 5% 1/10W
R637	1-216-351-00	METAL OXIDE	1.5 5% 1W F	R922	1-216-073-00	RES,CHIP	10K 5% 1/10W
R638	1-215-435-00	METAL	3.9K 1% 1/4W	R924	1-249-429-11	CARBON	10K 5% 1/4W
R639 Δ	1-211-761-11	FUSIBLE	0.1 10% 1/2W	R925	1-216-065-91	RES,CHIP	4.7K 5% 1/10W
R641	1-249-429-11	CARBON	10K 5% 1/4W F	R927	1-216-295-91	SHORT	0
R642	1-260-127-11	CARBON	220K 5% 1/2W	R929	1-216-065-91	RES,CHIP	4.7K 5% 1/10W
R643	1-215-435-00	METAL	3.9K 1% 1/4W	R931	1-216-659-11	METAL CHIP	2.2K 0.50% 1/10W
R644	1-216-665-11	METAL CHIP	3.9K 0.50% 1/10W	R933	1-249-417-11	CARBON	1K 5% 1/4W
R645	1-216-691-11	METAL CHIP	47K 0.50% 1/10W	R934	1-249-429-11	CARBON	10K 5% 1/4W
R646	1-249-441-11	CARBON	100K 5% 1/4W	R935	1-247-807-31	CARBON	100 5% 1/4W
R649	1-218-642-11	METAL OXIDE	100K 5% 1W F	R936	1-247-807-31	CARBON	100 5% 1/4W
R675	1-249-401-11	CARBON	47 5% 1/4W	R937	1-249-417-11	CARBON	1K 5% 1/4W
R703	1-260-092-11	CARBON	270 5% 1/2W	R938	1-247-807-31	CARBON	100 5% 1/4W
R704	1-215-445-00	METAL	10K 1% 1/4W	R940	1-215-431-00	METAL	2.7K 1% 1/4W
R705	1-249-425-11	CARBON	4.7K 5% 1/4W	R941	1-216-651-11	METAL CHIP	1K 0.50% 1/10W
R706	1-249-425-11	CARBON	4.7K 5% 1/4W	R943	1-216-647-11	METAL CHIP	680 0.50% 1/10W
R707	1-249-429-11	CARBON	10K 5% 1/4W	R951	1-216-025-91	RES,CHIP	100 5% 1/10W
R708	1-249-429-11	CARBON	10K 5% 1/4W	R953	1-216-073-00	RES,CHIP	10K 5% 1/10W
R709	1-249-429-11	CARBON	10K 5% 1/4W	R954	1-216-073-00	RES,CHIP	10K 5% 1/10W
				R957	1-216-017-91	RES,CHIP	47 5% 1/10W

Note: The components identified by shading and mark Δ are critical for safety. Replace only with part number specified.

Note: Les composants identifiés par un trame et une marque Δ sont critiques pour la sécurité. Ne les remplacer que par une pièce portant le numéro spécifique.



REF.NO.	PART NO.	DESCRIPTION	REMARK
R958	1-216-017-91	RES,CHIP	47 5% 1/10W
R959	1-216-061-00	RES,CHIP	3.3K 5% 1/10W
R961	1-216-025-91	RES,CHIP	100 5% 1/10W

VARIABLE RESISTOR

RV501 Δ	1-241-767-21	RES, ADJ, CERMET 100K	
	3-710-578-01	COVER, VOLUME, 6 MOLD (for RV501)	
RV601	1-223-480-11	RES, ADJ, CERMET 5K	

RELAY

RY500	1-755-137-11	RELAY	
RY601 Δ	1-755-031-11	RELAY	

SWITCH

S901	1-692-431-21	SWITCH, TACTILE	
S902	1-692-431-21	SWITCH, TACTILE	
S903	1-692-431-21	SWITCH, TACTILE	

SPARK GAP

SG501 Δ	1-519-422-11	GAP, SPARK	
----------------	--------------	------------	--

TRANSFORMER

T501 Δ	1-453-241-11	TRANSFORMER ASSY, FLYBACK (NX-4400//X4L4)	
T503	1-429-109-11	TRANSFORMER, FERRITE (DFT)	
T504 Δ	1-429-103-11	TRANSFORMER, FERRITE (HDT)	
T505	1-429-211-11	TRANSFORMER, FERRITE (HST)	
T601 Δ	1-431-534-11	TRANSFORMER, CONVERTER (SRT)	

THERMISTOR

TH501	1-807-796-11	THERMISTOR	
TH502	1-807-796-11	THERMISTOR	
TH600 Δ	1-809-827-11	THERMISTOR	
TH601 Δ	1-809-827-11	THERMISTOR, POSITIVE	

VARISTOR

VA600 Δ	1-810-622-11	VARISTOR	
VA601 Δ	1-810-271-21	VARISTOR ZNR-14DK471U	

CRYSTAL

X901	1-767-641-21	VIBRATOR, CRYSTAL	
X902	1-767-933-11	OSCILLATOR, CERAMIC	

REF.NO.	PART NO.	DESCRIPTION	REMARK
---------	----------	-------------	--------

H

- * A-1372-451-A H BOARD, MOUNTED
(US/CANADIAN, AEP, NH, SH, AUS models made in US)
- * A-1372-473-A H BOARD, MOUNTED
(AEP, UK models made in UK)

CONNECTOR

CN9101*	1-900-802-24	CONNECTOR ASSY, 4P	
---------	--------------	--------------------	--

VARISTOR

VR9101	1-237-979-11	RES, VAR, CARBON 10K	
VR9102	1-237-979-11	RES, VAR, CARBON 10K	

S

- * A-1390-837-A S BOARD, MOUNTED
(US/CANADIAN, AEP, NH, SH, AUS models made in US)
- * A-1390-846-A S BOARD, MOUNTED
(AEP, UK models made in UK)

DIODE

D9201	8-719-070-70	DIODE EL1224UGC	
D9202	8-719-070-71	DIODE EL1224UYC/S190	

SWITCH

S6601 Δ	1-571-433-21	SWITCH, PUSH (AC POWER)	
----------------	--------------	-------------------------	--

U1

- * A-1373-668-A U1 BOARD, MOUNTED
(US/CANADIAN, AEP, NH, SH, AUS models made in US)
- * A-1394-885-A U1 BOARD, MOUNTED
(AEP, UK models made in UK)

CONNECTOR

CN1301	1-779-642-12	CONNECTOR, USB (A)	
CN1302	1-900-802-69	CONNECTOR ASSY, 5P BOARD IN	

U2

Note: The components identified by shading and mark Δ are critical for safety. Replace only with part number specified.

Note: Les composants identifiés par un trame et une marque Δ sont critiques pour la sécurité. Ne les remplacer que par une pièce portant le numéro spécifié.

REF.NO. PART NO. DESCRIPTION REMARK

U2

- * A-1373-669-A U2 BOARD, MOUNTED
(US/CANADIAN, AEP, NH, SH, AUS models made in US)
- * A-1394-886-A U2 BOARD, MOUNTED
(AEP, UK models made in UK)

CONNECTOR

CN1303 1-900-802-69 CONNECTOR ASSY, 5P BOARD IN
CN1304 1-779-677-11 CONNECTOR, USB (B)

MISCELLANEOUS

Δ	1-416-282-21	COIL, DEMAGNETIC	
Δ	1-452-923-21	NECK ASSY	
Δ	1-453-241-11	TRANSFORMER ASSY, FLYBACK (NX-4400//X4L4)	
	1-500-386-11	FILTER CLAMP (FERRITE CORE)	
Δ	1-558-481-11	CORD SET, POWER (AUS model made in US)	
Δ	1-765-719-11	CORD SET, POWER (AEP models made in US and UK)	
Δ	1-776-027-41	CORD SET, POWER (US/CND models made in US)	
*	1-783-562-11	CABLE ASSY VIDEO (15P D-SUB)	
	3-704-372-31	HOLDER, HV CABLE	
	4-041-021-02	HOLDER, DGC	
	4-041-758-02	HOLDER, DGC	
	4-812-134-21	RIVET	
Δ	8-451-490-11	DY Y17FRJ3-M (AEP, UK models made in UK)	
Δ	8-451-490-21	DY Y17FRJ3-M (US/CANADIAN, AEP, NH, SH, AUS models made in US)	
Δ	8-738-733-83	ITC ASSY, 17FRFM-R3 (US/CND, AEP, NH models made in US) / (AEP, UK models made in UK)	
Δ	8-738-728-81	ITC ASSY, 17FRFM-RS2 (AUS, SH models made in US)	
Δ	8-738-726-05	CRT, 17FRFM (M41LKN50X) (US/CND, AEP, NH models made in US) / (AEP, UK models made in UK)	
Δ	8-738-728-05	CRT, 17FRFM (M41LKN15X) (AUS, SH models made in US)	

REF.NO. PART NO. DESCRIPTION REMARK

Free Manuals Download Website

<http://myh66.com>

<http://usermanuals.us>

<http://www.somanuals.com>

<http://www.4manuals.cc>

<http://www.manual-lib.com>

<http://www.404manual.com>

<http://www.luxmanual.com>

<http://aubethermostatmanual.com>

Golf course search by state

<http://golfingnear.com>

Email search by domain

<http://emailbydomain.com>

Auto manuals search

<http://auto.somanuals.com>

TV manuals search

<http://tv.somanuals.com>