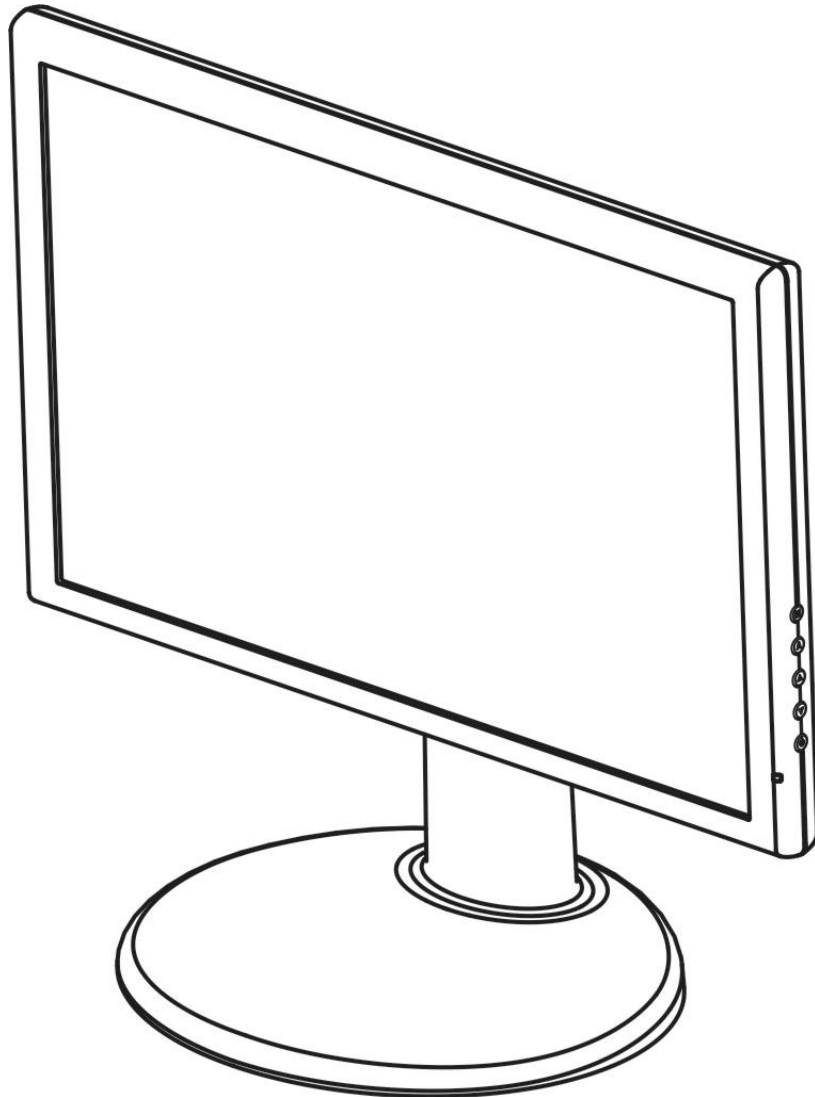


# **19 inch Wide Screen TFT LCD Monitor**



**HW194  
USER'S MANUAL**

Before operating the monitor, please read this manual thoroughly. This manual should be retained for future reference.

## **FCC Class B Radio Frequency Interference Statement**

This equipment has been tested and found to comply with the limits for a Class B digital device, pursuant to Part 15 of the FCC Rules. These limits are designed to provide reasonable protection against harmful interference in a residential installation. This equipment generates, uses and can radiate radio frequency energy, and if not installed and used in accordance with the instructions, may cause harmful interference to radio communications. However, there is no guarantee that interference will not occur in a particular installation. If this equipment does cause harmful interference to radio or television reception, which can be determined by turning the equipment off and on, the user is encouraged to try to correct the interference by one or more of the following measures:

- Reorient or relocate the receiving antenna.
- Increase the separation between the equipment and receiver.
- Connect the equipment into an outlet on a circuit different from that to which the receiver is connected.
- Consult the dealer or an experienced radio/TV technician for help.

The device complies with Parts 15 of the FCC Rule. Operation is subject to the following two conditions: (1) this device may not cause harmful interference; and (2) this device must accept any interference received, including interference that may cause undesired operations.

### **CANADA**

This Class B digital apparatus meets all requirements of the Canadian Interference-Causing Equipment Regulation.



This device complies with requirement of EMC directive 89/336/EEC with regard to Electromagnetic Compatibility, and 73/23/EEC and 93/68/EEC with regard to Low Voltage directive.

Socket-outlet shall be near the equipment and shall be accessible.

## **Recycling Information**

We, Hanns.G care very much about our environment protection strategy and firmly believe that it helps us have healthier earth via appropriate treatment and recycling of industrial technology devices at the end-of-life.

These devices contain recyclable materials, which can be re-decomposed and re-integrated into brand-new marvels. On the contrary, other material can be classified to hazardous and poisoned substances. We strongly encourage you to contact the provided information to recycle this product.

For more information, please visit  
[www.hannsg.com](http://www.hannsg.com)

## TABLE OF CONTENTS

<b>SAFETY NOTICE .....</b>	<b>5</b>
<b>PRECAUTIONS .....</b>	<b>5</b>
<b>SPECIAL NOTES ON LCD MONITORS .....</b>	<b>6</b>
<b>BEFORE YOU OPERATE THE MONITOR.....</b>	<b>7</b>
<b>FEATURES .....</b>	<b>7</b>
<b>CHECKING THE CONTENTS OF THE PACKAGE .....</b>	<b>7</b>
<b>INSTALLATION INSTRUCTIONS .....</b>	<b>8</b>
<b>POWER.....</b>	<b>8</b>
<b>MAKING CONNECTIONS .....</b>	<b>9</b>
<b>ADJUSTING THE VIEWING ANGLE .....</b>	<b>10</b>
<b>ROTATING THE MONITOR.....</b>	<b>10</b>
<b>SCREEN HEIGHT ADJUSTMENT .....</b>	<b>11</b>
<b>OPERATING INSTRUCTIONS.....</b>	<b>12</b>
<b>GENERAL INSTRUCTIONS.....</b>	<b>12</b>
<b>FRONT PANEL CONTROL .....</b>	<b>13</b>
<b>HOW TO ADJUST A SETTING .....</b>	<b>14</b>
<b>PLUG AND PLAY .....</b>	<b>17</b>
<b>TECHNICAL SUPPORT (FAQ).....</b>	<b>18</b>
<b>Q &amp; A FOR GENERAL PROBLEMS .....</b>	<b>18</b>
<b>ERROR MESSAGE &amp; POSSIBLE SOLUTIONS .....</b>	<b>19</b>
<b>APPENDIX .....</b>	<b>20</b>
<b>SPECIFICATIONS .....</b>	<b>20</b>

## **SAFETY NOTICE**

1. The changes or modifications not expressly approved by the party responsible for compliance could void the user's authority to operate the equipment.
2. Shielded interface cables and AC power cord, if any, must be used in order to comply with the emission limits.
3. The manufacturer is not responsible for any radio or TV interference caused by unauthorized modification to this equipment. It is the responsibilities of the user to correct such interference.

### **WARNING:**

To prevent fire or shock hazard, do not expose the monitor to rain or moisture. Dangerously high voltages are present inside the monitor. Do not open the cabinet. Refer servicing to qualified personnel only.

### **PRECAUTIONS**

- Do not use the monitor near water, e.g. near a bathtub, washbowl, kitchen sink, laundry tub, swimming pool or in a wet basement.
- Do not place the monitor on an unstable cart, stand, or table. If the monitor falls, it can injure a person and cause serious damage to the appliance. Use only a cart or stand recommended by the manufacturer or sold with the monitor. If you mount the monitor on a wall or shelf, use a mounting kit approved by the manufacturer and follow the kit instructions.
- Slots and openings in the back and bottom of the cabinet are provided for ventilation. To ensure reliable operation of the monitor and to protect it from overheating, be sure these openings are not blocked or covered. Do not place the monitor on a bed, sofa, rug, or similar surface. Do not place the monitor near or over a radiator or heat register. Do not place the monitor in a bookcase or cabinet unless proper ventilation is provided.
- The monitor should be operated only from the type of power source indicated on the label. If you are not sure of the type of power supplied to your home, consult your dealer or local power company.
- Unplug the unit during a lightening storm or when it will not be used for long period of time. This will protect the monitor from damage due to power surges.
- Do not overload power strips and extension cords. Overloading can result in fire or electric shock.
- Never push any object into the slot on the monitor cabinet. It could short circuit parts causing a fire or electric shock. Never spill liquids on the monitor.
- Do not attempt to service the monitor by yourself; opening or removing covers can expose you to dangerous voltages and other hazards. Please refer all servicing to qualified service personnel.
- To ensure satisfactory operation, use the monitor only with UL listed computers which have appropriate configured receptacles marked between 100 - 240V AC, Min. 5A.
- The wall socket shall be installed near the equipment and shall be easily accessible.

## **SPECIAL NOTES ON LCD MONITORS**

The following symptoms are normal with LCD monitor and do not indicate a problem.

- Due to the nature of the fluorescent light, the screen may flicker during initial use. Turn off the Power Switch and then turn it on again to make sure the flicker disappears.
- You may find slightly uneven brightness on the screen depending on the desktop pattern you use.
- The LCD screen has effective pixels of 99.99% or more. It may include blemishes of 0.01% or less such as a missing pixel or a pixel lit all of the time.
- Due to the nature of the LCD screen, an afterimage of the previous screen may remain after switching the image, when the same image is displayed for hours. In this case, the screen is recovered slowly by changing the image or turning off the Power Switch for hours.
- If the screen suddenly flashes erratically or the backlighting fails, please contact your dealer or service center for repair. Do not attempt to repair the monitor yourself.

## BEFORE YOU OPERATE THE MONITOR

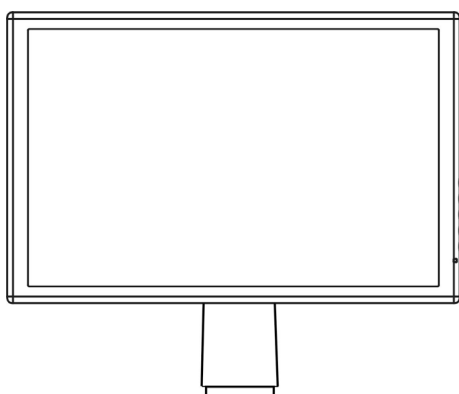
### FEATURES

- 19" Wide screen TFT Color LCD Monitor
- Crisp, Clear Display for Windows
- Recommended Resolutions: 1440 X 900 @60Hz
- EPA ENERGY STAR®
- Ergonomic Design
- Space Saving, Compact Case Design

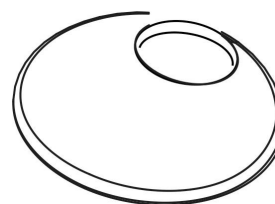
### CHECKING THE CONTENTS OF THE PACKAGE

The product package should include the following items:

#### LCD Monitor

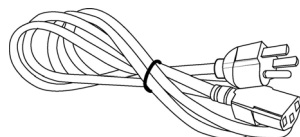


Screen

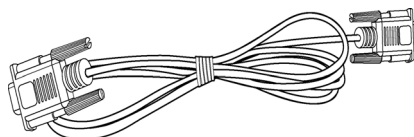


Base

#### Cables and User manual



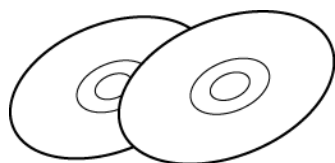
Power Cord



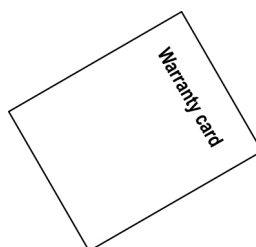
VGA Cable



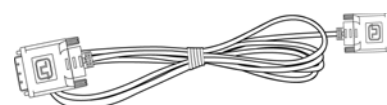
Audio Cable



User's manual &  
Pivot Software



Warranty card



DVI-D Cable (dual input  
mode optional)

## INSTALLATION INSTRUCTIONS

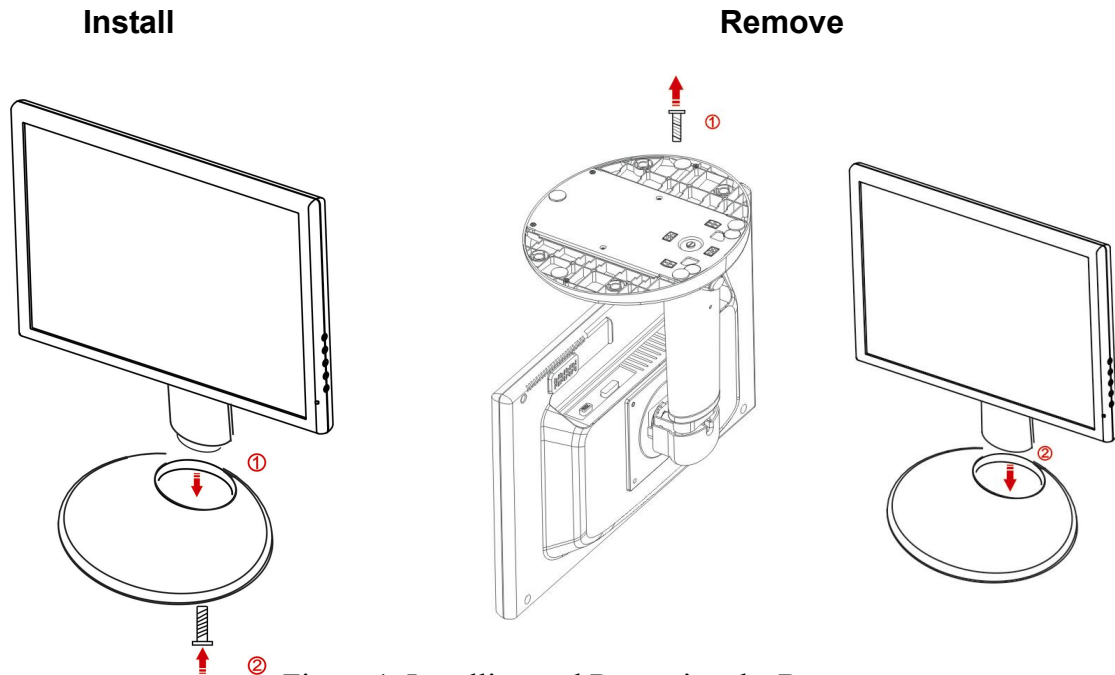


Figure.1. Installing and Removing the Base

### **INSTALLATION:**

1. Align the monitor with the opening in the base.
2. Note that the longer section of the base points forward.
3. Snap the monitor into its base. A clear click sound will affirm that the base is connected correctly.
4. Verify that the monitor is securely attached to the base by looking at the bottom of the base and making sure that the clips are fully engaged in the base.
5. Insert the safety screw (2) to the base to permanently attached the base to the monitor stand.

### **REMOVAL:**

1. Flip over the monitor so that it is upside down.
2. Remove the safety screw.
3. Press the 2 clips that hold the monitor in place.
4. Gently press and hold the 2 clips while pulling the base from the monitor unit they are unattached.

## POWER

### **POWER SOURCE:**

1. Make sure that the power cord is the correct type required in your area.
2. This LCD monitor has an Internal universal power supply that allows operation in either 100/120V AC or 220/240V AC voltage area (No user adjustment is required.)
3. Connect the AC-power cord one end to your LCD monitor's AC-input socket, the other end to wall-outlet .



## MAKING CONNECTIONS

### CONNECTING TO A PC:

Turn off your computer before performing the procedure below.

1. Connect one end of the 15-pin D-Sub cable to the back of the monitor and connect the other end to the computer's D-Sub port.
2. Connect one end of the 24-pin DVI-D cable (Dual input mode optional) to the back of the monitor and connect the other end to the computer's DVI-D port.
3. Connect the audio cable between the monitor's audio input and the PC's audio output (green port).
4. Plug one end of the AC power cord to the LCD monitor's AC input socket, and the other end to Wall outlet.
5. Turn on your monitor and computer.

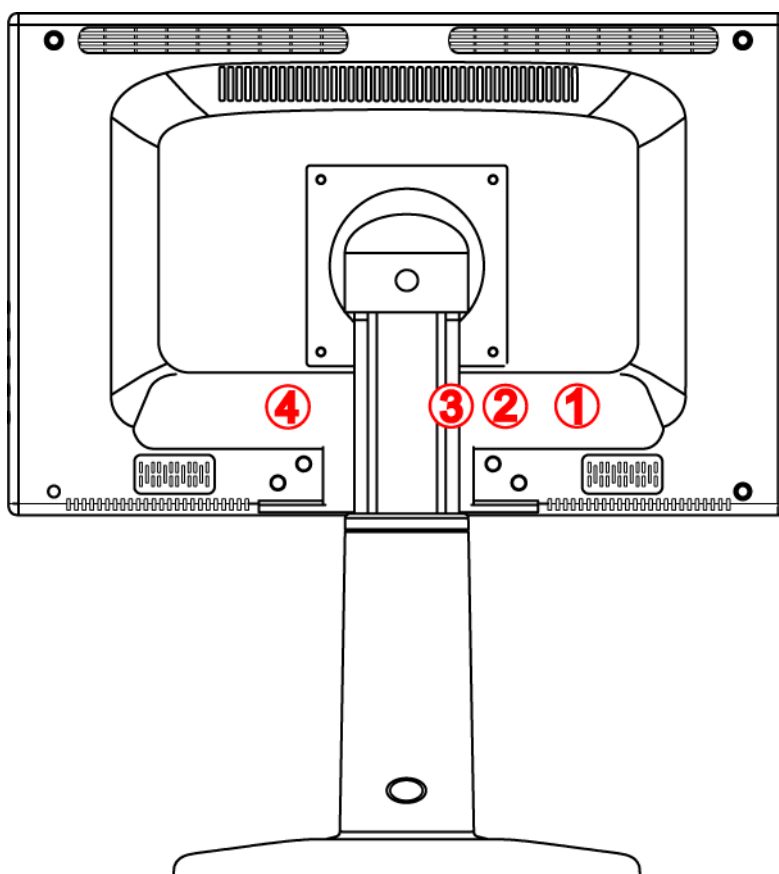


Figure.2. Connecting to a PC

1.	VGA Input	2.	DVI-D Input (optional)
3.	Audio Input	4.	Power AC Input

### ADJUSTING THE VIEWING ANGLE

- For optimal viewing it is recommended to look at the full face of the monitor, then adjust the monitor's angle to your own preference.
- Hold the stand so you do not topple the monitor when you change the monitor's angle.
- You may adjust the monitor for a viewing angle of 0° to 20° vertically and 0° to 30° horizontally.

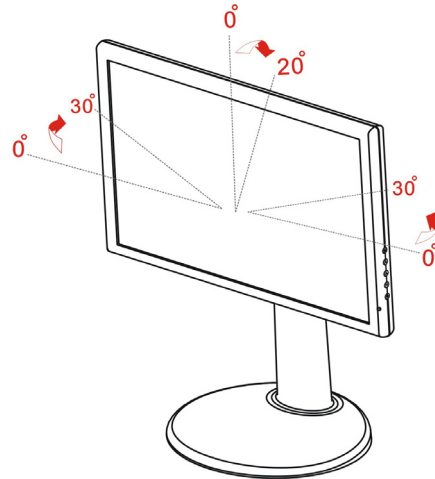


Figure.3-1. monitor's angle

### ROTATING THE MONITOR

- When rotating the monitor, make sure to hold the base firmly to prevent shaking the monitor.
- Raise the monitor to its maximum height to rotate the monitor; otherwise the monitor will not turn.
- You may turn the monitor clockwise from 0° to 90°.

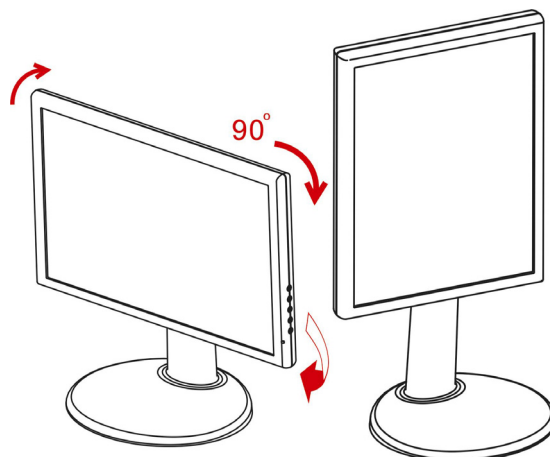


Figure.3-2. Rotating the Monitor

**NOTE:**

In order to use portrait mode, your graphics card must be compatible to support this mode. Please refer to your graphics card user manual if it supports this mode.

## SCREEN HEIGHT ADJUSTMENT

- Press the button in (1) direction, the monitor may be adjusted to the desired height freely.
- Push the screen in (2) direction to lower the screen to its lowest position, the height will be fixed to that position and the button will lock automatically.

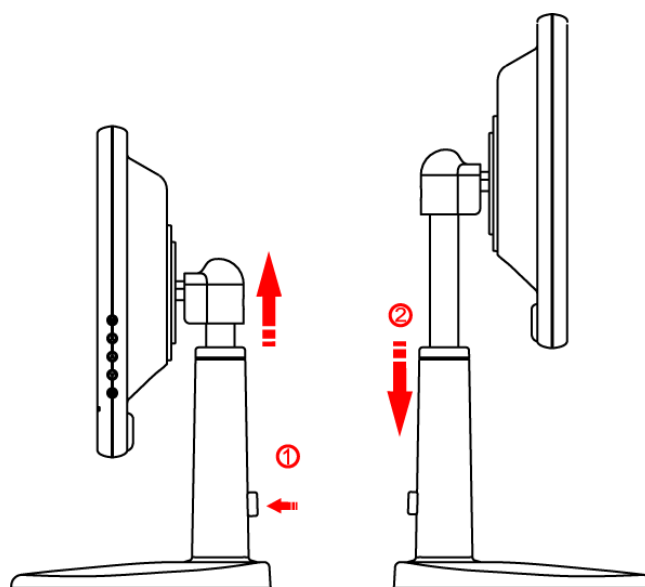


Figure 3-3. Screen Height adjustment

### **NOTES:**

- Do not touch the LCD screen with your hand when adjusting the viewing angle or rotating the LED screen, to prevent damaging or crushing the screen.
- Be careful not to place fingers or hands near the hinges when tilting the monitor, otherwise pinching can result.

## OPERATING INSTRUCTIONS

### GENERAL INSTRUCTIONS

Press the power button to turn the monitor on or off. The other control buttons are located on the front panel of the monitor (See Figure 4). By changing these settings, the picture can be adjusted to your personal preferences.

- The power cord should be connected.
- Connect the Signal cable from the monitor to the VGA card.
- Press the power button to turn on the monitor position. The power indicator will light up.

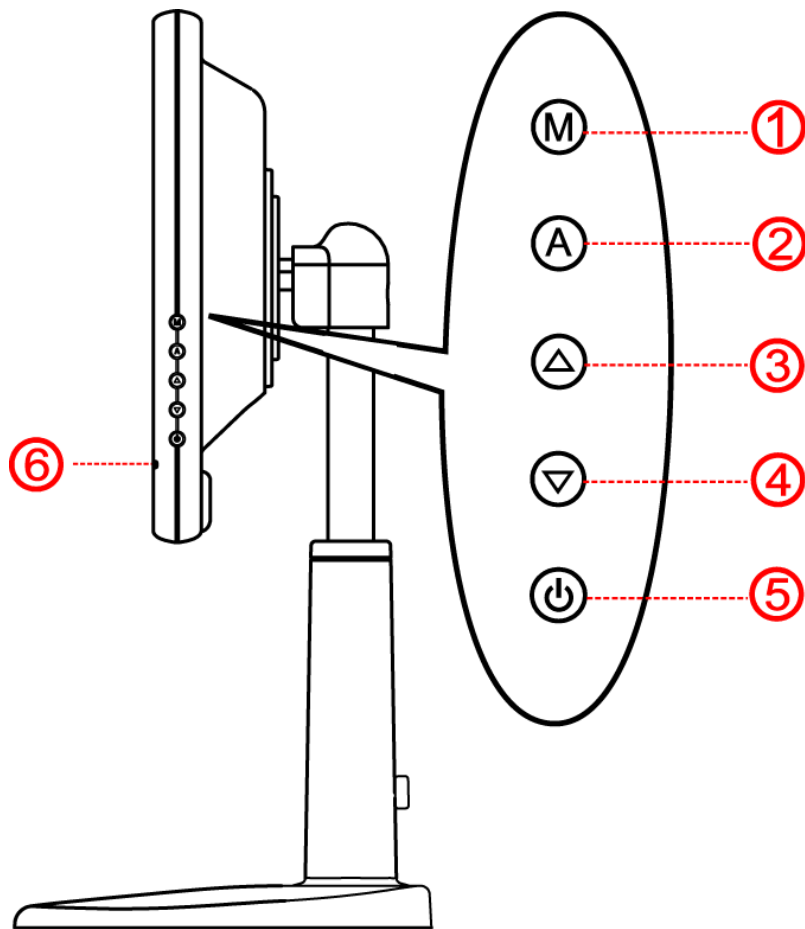


Figure.4. Control Panel Buttons

### CONTROL PANEL BUTTONS:

1.	Menu / Enter	2.	Auto Adjustment
3.	Volume +	4.	Volume -
5.	Power Button	6.	Power Indicator

## FRONT PANEL CONTROL

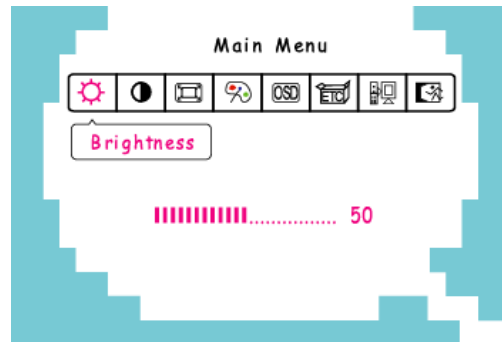
- **Power Button:**  
Press this button to switch ON/OFF of monitor's power.
- **Power Indicator:**  
Green — Power On mode.  
Orange — Power saving mode.
- **MENU / ENTER:**
  1. Activates the OSD menu or confirms adjustments to settings.
  2. Exit OSD volume display.
- **Volume▲/▼:**
  1. Activates the volume control when the OSD is OFF.
  2. Navigate through adjustment icons when OSD is ON or adjust a function when function is activated.
- **Auto Adjust button:**  
When OSD menu is in off status, press this button to activate the Auto Adjustment function.  
(The Auto Adjustment function is used to optimized the H-Position, V-Position, Clock and Phase.)

### **NOTES:**

- Do not install the monitor in a location near heat sources such as radiators or air ducts, or in a place subject to direct sunlight, or excessive dust or mechanical vibration or shock.
- Save the original shipping box and packing materials, as they will come in handy if you ever have to ship your monitor.
- For maximum protection, repackage your monitor as it was originally packed at the factory.
- To keep the monitor looking new, periodically clean it with a soft cloth. Stubborn stains may be removed with a cloth lightly dampened with a mild detergent solution. Never use strong solvents such as thinner, benzene, or abrasive cleaners, since these will damage the cabinet. As a safety precaution, always unplug the monitor before cleaning it.

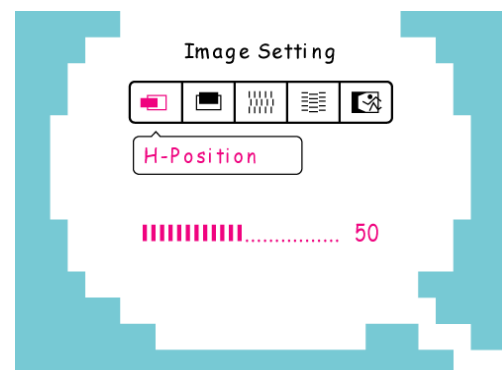
## HOW TO ADJUST A SETTING

### Main Menu



FUNCTION	DESCRIPTION
Brightness	Select the 「Brightness」 option on the 「Main Menu」. Enter the option and adjust the level.
Contrast	Select the 「Contrast」 option on the 「Main Menu」. Enter the option and adjust the level.
Image Setting	Select the 「Image Setting」 on the 「Main Menu」, and then enter the option.
Color Setting	Select the 「Color Setting」 option on the 「Main Menu」, and then enter the option.
OSD Setting	Select the 「OSD Setting」 option on the 「Main Menu」, and then enter the option.
Other Setting	Select the 「Other Setting」 option on the 「Main Menu」, and then enter the option.
Input Setting	Select the 「Input Setting」 option to change between the analog (D-Sub) or Digital (DVI) source. Enter the option and select Analog or Digital.
Exit	Exit the OSD menu function.

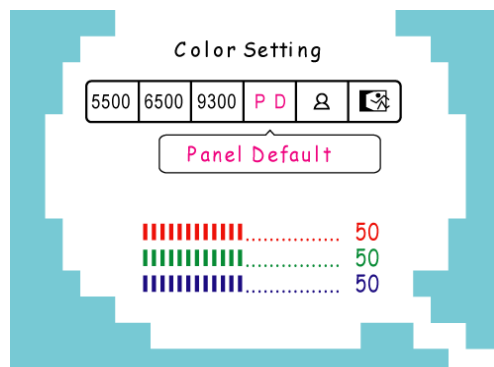
### Image Setting



FUNCTION	DESCRIPTION
H-position	Select the 「H-position」 option to shift the screen image to the left or right. Enter the option and adjust the level.
V-position	Select the 「V-position」 option to shift the screen image up or down. Enter the option and adjust the level.
Clock Adjustment	Select the 「Clock Adjustment」 option to reduce the vertical flicker of characters on the screen. Enter the option and adjust the level.

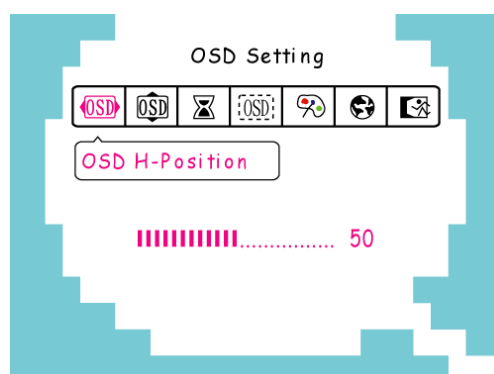
Phase Adjustment	Select the 「Phase Adjustment」 option to reduce the horizontal flicker of characters on the screen. Enter the option and adjust the level.
Exit	Exit the OSD menu function.

### Color Setting



FUNCTION	DESCRIPTION
5500/6500/9300/PD	Move the cursor to one of the preset options and select it.
User	Move the cursor to the User option and select it 1. To adjust the red, enter the 「R」 option and adjust the level. 2. To adjust the green, enter the 「G」 option and adjust the level. 3. To adjust the blue, enter the 「B」 option and adjust the level.
Exit	Exit the OSD menu function.

### OSD Setting



FUNCTION	DESCRIPTION
OSD H-Position	Select the 「OSD H-Position」 option to adjust the horizontal position of the OSD. Enter the option and adjust the level.
OSD V-position	Select the 「OSD V-Position」 option to adjust the vertical position of the OSD. Enter the option and adjust the level.
OSD Time-out	Select the 「OSD Time-out」 option to set the OSD time out from 10 to 120 seconds. Enter the option and adjust the level.
OSD Transparency	Select the 「OSD Transparency」 option to adjust the transparency of the OSD. Enter the option and adjust the level.
OSD Color	Select the 「OSD Color」 setting option to adjust the color of the OSD. Enter the option and adjust the level.

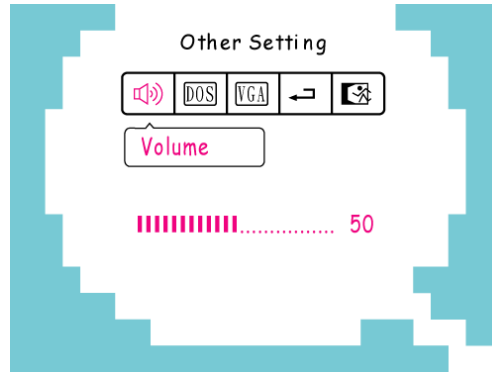
## User's Manual

---

Language	Select the 「Language」 option to change the language of the OSD. Enter the option and select a language. (Reference only, the OSD Language is depended on selected model)
Exit	Exit the OSD menu function.

---

### Other Setting



---

FUNCTION	DESCRIPTION
Volume	Select the 「Volume」 option to set the volume level from 0 to 100. Enter the option and adjust the level.
DOS mode	Select the 「DOS Mode」 option to set the monitor for DOS display. Enter the option and select Text or Graphics.
VGA mode	Select the 「VGA Mode」 option to set the monitor for VGA display. Enter the option and select 720x400 or 640x400.
Factory Preset	Select the 「Factory Preset」 option to reset to the monitor's default setting. This will erase the current settings. Enter the option and select On or Off.
Exit	Exit the OSD menu function.

---



## **PLUG AND PLAY**

### **Plug & Play DDC2B Feature**

This monitor is equipped with VESA DDC2B capabilities according to the VESA DDC STANDARD. It allows the monitor to inform the host system of its identity and, depending on the level of DDC used, communicate additional information about its display capabilities. The DDC2B is a bidirectional data channel based on the I<sup>2</sup>C protocol. The host can request EDID information over the DDC2B channel.

**THIS MONITOR WILL APPEAR TO BE NON-FUNCTIONAL IF THERE IS NO VIDEO INPUT SIGNAL. IN ORDER FOR THIS MONITOR TO OPERATE PROPERLY, THERE MUST BE A VIDEO INPUT SIGNAL.**

This monitor meets the Green monitor standards as set by the Video Electronics Standards Association (VESA) and/or the United States Environmental Protection Agency (EPA) and The Swedish Confederation Employees (NUTEK). This feature is designed to conserve electrical energy by reducing power consumption when there is no video-input signal present. When there is no video input signal this monitor, following a time-out period, will automatically switch to an OFF mode. This reduces the monitor's internal power supply consumption. After the video input signal is restored, full power is restored and the display is automatically redrawn. The appearance is similar to a "Screen Saver" feature except the display is completely off. The display is restored by pressing a key on the keyboard, or clicking the mouse.

## TECHNICAL SUPPORT (FAQ)

### Q & A FOR GENERAL PROBLEMS

PROBLEM & QUESTION	POSSIBLE SOLUTION
Power LED is not on	*Check if the Power Switch is in the ON position *Power Cord should be connected
No Plug & Play	*Check if the PC system is Plug & Play compatible *Check if the Video Card is Plug & Play compatible *Check if any plug pins on the D-Sub or DVI-D connector are bent
Picture is fuzzy	*Adjust the Contrast and Brightness Controls.
Picture bounces or a wave pattern is present in the picture	*Move electrical devices that may cause electrical interference.
The power LED is ON (orange) but there's no video or no picture.	*Computer Power Switch should be in the ON position. *Computer Video Card should be snugly seated in its slot *Make sure monitor's video cable is properly connected to the computer. *Inspect monitor's video cable and make sure none of the pins are bent. *Make sure computer is operational by hitting the CAPS LOCK key on the keyboard while observing the CAPS LOCK LED. The LED should either turn ON or OFF after hitting the CAPS LOCK key.
Missing one of the primary colors (RED, GREEN, or BLUE)	*Inspect the monitor's video cable and make sure that none of the pins are bent.
Screen image is not centered or sized properly.	*Adjust pixel frequency CLOCK and PHASE or press hot-key (AUTO)
Picture has color defects (white does not look white)	*Adjust RGB color or select color temperature
Horizontal or vertical disturbances on the screen	*Use win 95/98/2000/NT/ME/XP shut-down mode Adjust CLOCK and PHASE or perform hot- key (AUTO).

**ERROR MESSAGE & POSSIBLE SOLUTIONS**

▪ **CABLE NOT CONNECTED :**

1. Check that the signal-cable is properly connected, If the connector is loose, tighten the connector's screws.
2. Check the signal-cable's connection pins for damage.

▪ **INPUT NOT SUPPORT :**

Your computer has been set to unsuitable display mode, set the computer to display mode given in the following table.

**FACTORY PRESET TIMING TABLE:**

<b>TIMING</b>	<b>MODE</b>	<b>HORIZONTAL FREQUENCY (kHz)</b>	<b>VERTICAL FREQUENCY (Hz)</b>
640x350	VGA-350	31.469	70.087
640x400	VGA-GRAPH	31.469	70.087
640x400	NEC PC9821	31.5	70.15
640x480	VGA-480	31.469	59.94
640x480	APPLE MAC-480	35.00	66.67
640x480	VESA-480-72Hz	37.861	72.809
640x480	VESA-480-75Hz	37.5	75
720x400	VGA-400-TEXT	31.469	70.087
832x624	APPLE MAC-800	49.725	74.55
800x600	SVGA	35.156	56.25
800x600	VESA-600-60Hz	37.879	60.317
800x600	VESA-600-72Hz	48.077	72.188
800x600	VESA-600-75Hz	46.875	75
1024x768	XGA	48.363	60.004
1024x768	COMPAQ-XGA	53.964	66.132
1024x768	VESA-768-70Hz	56.476	70.069
1024x768	VESA-768-75Hz	60.023	75.029
1024x768	APPLE MAC-768	60.24	75.02
1152x864	75Hz	67.50	75.00
1280x960	60Hz	60.00	60.00
1280x1024	VESA-1024-60Hz	64	60
1280x1024	VESA-1024-75Hz	80	75
1440x900	VESA-1440-60Hz	55.935	59.887
1440x900	VESA-1440-75Hz	70.635	75

## APPENDIX

### SPECIFICATIONS

LCD Panel	Driving system	TFT Color LCD
	Size	48.2cm(19.0")
	Pixel pitch	0.283mm(H) x 0.283mm(V)
Video	H-Frequency	31KHz – 80KHz
	V-Frequency	56 – 75Hz
Display Colors		16.2M Colors
Maximum Screen Size		Hor. :408.24mm; Ver. :255.15mm
Max. Resolution		1440 x 900 @75Hz
Plug & Play		VESA DDC2B™
EPA ENERGY STAR®	ON Mode	≤36W
	Power Saving Mode	≤2W
	OFF Mode	≤1W
Input Connector		D-Sub 15pin DVI-D 24pin (Dual-Input Model)
Power Source		90~264VAC,47~63HZ
Environmental Considerations		Operating Temp: 5° to 40°C Storage Temp.: -20° to 65°C Operating Humidity: 20% to 80%
Dimensions	Ascend	453(W)×502(H)×228(D)mm 17.83"(W)×19.76"(H)×8.98"(D)
	Descend	453(W)×402(H)×228(D)mm 17.83"(W)×15.83"(H)×8.98"(D)
Weight (GW/NW)		6.5 kg / 5.3 kg (14.3 lb / 11.7 lb)

\*\*\*The above specification is subject to actual product specification and is subject to change without prior notice.

#### **NOTES:**

The Maximum Resolution will depends on the display card supporting. Related issue can refer to [www.hannsg.com](http://www.hannsg.com) FAQ section.

## Free Manuals Download Website

<http://myh66.com>

<http://usermanuals.us>

<http://www.somanuals.com>

<http://www.4manuals.cc>

<http://www.manual-lib.com>

<http://www.404manual.com>

<http://www.luxmanual.com>

<http://aubethermostatmanual.com>

Golf course search by state

<http://golfingnear.com>

Email search by domain

<http://emailbydomain.com>

Auto manuals search

<http://auto.somanuals.com>

TV manuals search

<http://tv.somanuals.com>