

User's Guide

Compaq TFT5015 Color Monitor

August 2001

© 2001 Compaq Computer Corporation

Compaq, the Compaq logo, are trademarks of Compaq Information Technologies Group, L. P.

All other product names mentioned herein may be trademarks of their respective companies.

Compaq shall not be liable for technical or editorial errors or omissions contained herein. The information in this document is provided "as is" without warranty of any kind and is subject to change without notice. The warranties for Compaq products are set forth in the express limited warranty statements accompanying such products. **Nothing herein should be construed as constituting an additional warranty.**



CAUTION: Text set off in this manner indicates that failure to follow directions could result in damage to equipment or loss of information.



WARNING: Text set off in this manner indicates that failure to follow directions could result in bodily harm or loss of life.

User's Guide
Compaq TFT5015 Color Monitor
Second Edition (August 2001)
Part Number: 234268-002

Product Features

The Compaq TFT5015 Flat Panel Monitor has an active matrix, thin-film transistor (TFT), liquid crystal display (LCD). The monitor features include:

- 15-inch (38.1-cm) viewable area display
- 1024 x 768 resolution, plus full-screen support for lower resolutions
- Wide viewing angle to allow viewing from a sitting or standing position, or when moving side-to-side
- Tilt and swivel capabilities
- Removable base for flexible mounting solutions
- VGA cable
- Speaker and microphone cables (speaker models only)
- Plug and Play capability if supported by your system
- On-Screen Display (OSD) adjustments in six different languages: English, Dutch, French, German, Italian, and Spanish for ease of setup and screen optimization
- Programmable Sleep Timer
- CD-ROM includes an information file (INF), Image Color Matching file (ICM), Colorific Software package, the Compaq LCD Display Assistant setup and configuration utility, the Compaq Display LiteSaver utility, and product documentation
- Security lock slot
- AssetControl
- Energy Saver feature for Energy Star* compliance
- Compliance with the following regulated specifications:
 - EPA Energy Star
 - European Union CE Directives

-
- ❑ Swedish MPR II 1990 (Touchscreen models)
 - ❑ Swedish TCO '99 (except Touchscreen models)

Information Files

This monitor includes a CD-ROM with two information files to be installed onto your computer: an .INF file and an .ICM file.

- The .INF file defines monitor resources and provides specifications used by Microsoft Windows 95, Windows 98, Windows 2000, and Windows Me to install support software for certain hardware devices. The .INF file ensures monitor compatibility and optimization with your computer's graphics adapter.
- The ICM file provides color matching consistency from monitor screen to printer and is activated from within the graphics program that have this feature.

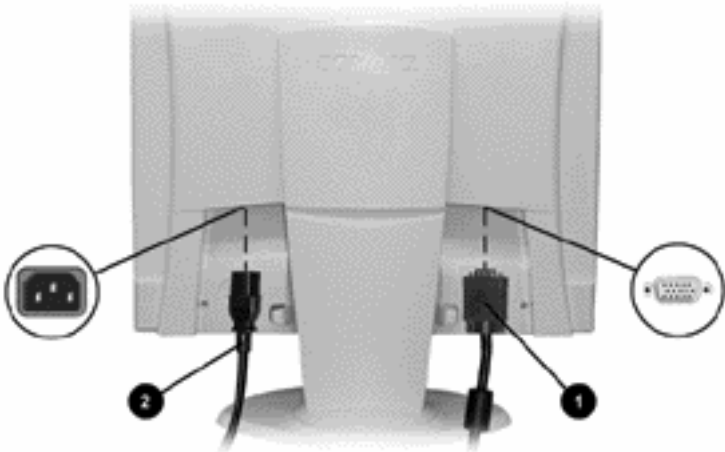
Install these files on your computer by selecting the Install INF and ICM Files option from the main menu of the Software and Reference Library CD-ROM included with the monitor. Consult the readme file on the CD-ROM for additional installation information.

INF file updates are downloadable by clicking on:
www.compaq.com/support/monitors/index.html

Setting Up the Monitor

To set up the monitor, ensure that the power is turned off to the monitor, computer system, and other attached devices, then follow these steps:

1. Place the monitor in a convenient, well-ventilated location near your computer.
2. Connect the VGA monitor signal cable (1) to the VGA connector on the rear panel of the computer.



3. Connect one end of the AC power cord (2) to the monitor and the other end to an electrical outlet that is easily accessible and close to the monitor.

WARNING: To reduce the risk of electric shock or damage to your equipment:

- Do not disable the power cord grounding plug. The grounding plug is an important safety feature.
- Plug the power cord into a grounded (earthed) electrical outlet that is easily accessible at all times.
- Disconnect power from the monitor by unplugging the power cord from the electrical outlet.
- Do not place anything on power cords or cables. Arrange them so that one may not accidentally step on or trip over them. Do not pull on a cord or cable. When unplugging from the electrical outlet, grasp the cord by the plug.

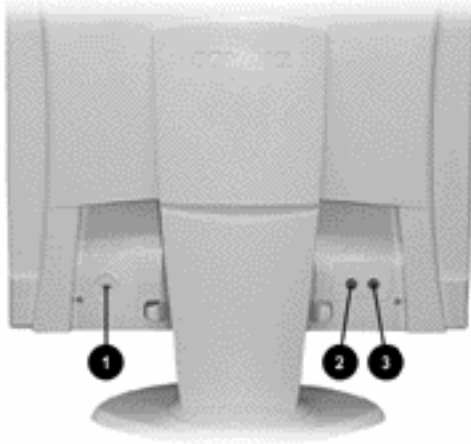
Note: For security purposes, this monitor has been fitted with a slot (item (1) in the illustration on the next page) for use with a security cable lock that can be purchased separately at most computer stores.

Note: After you turn on the monitor, install the Compaq LCD Display Assistant utility included on the CD-ROM. Use the on-screen instructions to adjust the picture quality of your monitor.

Important: Always activate a screen saver program, the programmable sleep timer, the Compaq Display LiteSaver utility, or turn off the monitor when it is not in use for a prolonged period of time. All LCD monitors that display the same static image on the screen for a prolonged period of time may exhibit screen image retention. Please note that image retention is not a permanent condition and will fade over a period of time.

Setting Up Speaker Models

If you purchased a monitor with internal speakers, complete the procedure described in “Setting Up the Monitor”. Models with speakers have two additional jacks on the rear of the monitor for connecting a microphone (2) and external speaker (3) as shown in the illustration below.



Setting Up Touchscreen Models

If you purchased a monitor with the touchscreen feature, there is an external module attached to the rear of the monitor. Connect the USB cable from this module to a USB port on your computer.



After connecting the cables, complete the following to install Touchware:

1. Make sure the touchscreen is properly connected. The setup program cannot configure the touchscreen if it is not properly connected.
2. Start Windows and make sure no other applications are open.
3. Insert the *Compaq TFT5015 Flat Panel Monitor Software and User's Guide CD* into the CD-ROM drive.
4. From the menu options, select "Install Touchware Software".
5. Follow the instructions displayed on the screen to install the Microtouch Touchware software. Make your selections carefully when answering questions to complete the installation.

Note: Touchscreen models will exhibit a slight reduction in brightness and contrast ratio:

	Without Touchscreen	With Touchscreen
Brightness	200 cd/m2 (typical)	150 cd/m2 (typical)
Contrast Ratio	300:1 (typical)	175:1 (typical)

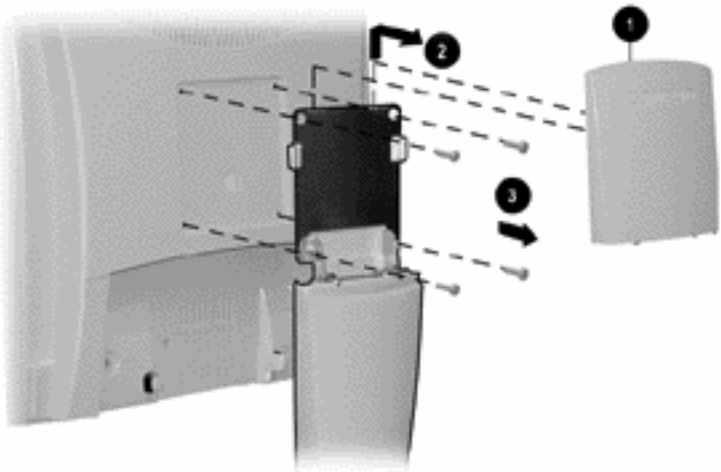
Removing the Monitor Base

Before you can mount the monitor on a swing arm or other mounting fixture, you must remove the monitor from the base.

CAUTION: Before beginning to disassemble the monitor, be sure the monitor is turned off and the power and signal cables are both disconnected.

To remove the monitor from the base, complete the following steps:

1. Disconnect and remove the signal and power cables from the back of the monitor.
2. Remove the cover (1) from the base mounting bracket by pulling it upward (2).

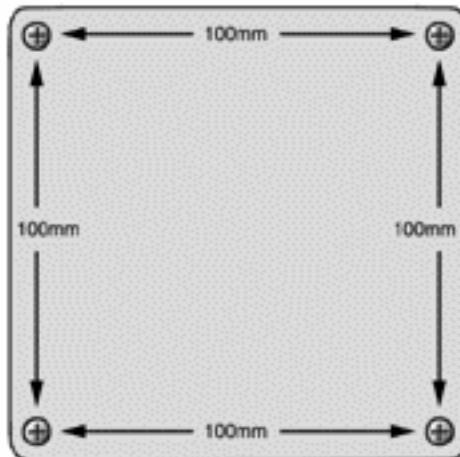


3. Lay the front bezel down on a soft area to prevent it from getting scratched, defaced, or broken.
4. Remove the four screws (3) as shown in the illustration.

CAUTION: Ensure that the bottom of the monitor base is positioned over a table or desktop before removing the base from the monitor.

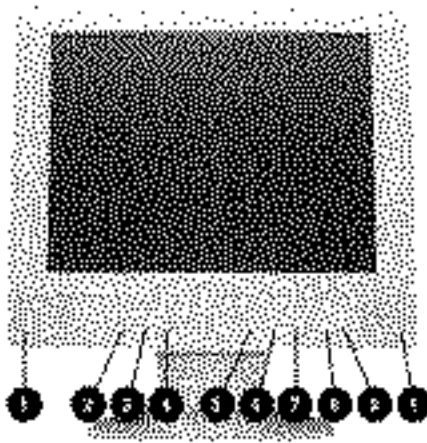
5. Remove the monitor base from the monitor.

When the base is removed, four threaded mounting holes are exposed on the monitor panel to be used for mounting purposes. These mounting holes are spaced 100 mm apart and are compliant with the Video Electronics Standards Association (VESA) standard for mounting flat panels. Mounting requires 4 each, M4 x .7 x 10 to 12 mm long screws. The 10 to 12 mm length assumes a 2.6 mm thick mounting plate is used. If a different mounting plate thickness is used, the screw length should be adjusted accordingly.



Operating the Monitor

Front Panel Controls



No.	Icon	Control	Function
1			Speaker (Speaker models only)
2	-	Decrease volume	Press to decrease volume; speaker models only.
3		Mute	Press to mute sound; speaker models only.
4	+	Increase volume	Press to increase volume; speaker models only.
5	-	Adjustment/Auto Adjustment	<ol style="list-style-type: none">1. Selects and adjusts functions.2. Activates Auto Adjust when the OSD is inactive.
6		Menu	<ol style="list-style-type: none">1. Launches 1st and 2nd level menus.2. Exits menus and OSD

No.	Icon	Control	Function
7	+	Adjustment	Selects and adjusts functions
8		Power	Turns the monitor on and off
9		Power Indicator	<ol style="list-style-type: none"> 1. Green indicates monitor is ON 2. Amber indicates Sleep mode. 3. Blinking amber indicates Sleep Timer*.

*Sleep Timer enables you to set a time for the monitor to power on and power off at the same time every day. It eliminates the need to turnoff the monitor at the end of the day and conserves energy. To set this mode, refer to the Sleep Timer in the on-screen display.

On-Screen Display (OSD) Settings

The adjustments for screen settings are located in the on-screen display (OSD) and can be viewed in one of six available languages. The following menus show the functions at each level:

Main Menu	Advanced Menu	Menu Level 3
Brightness	Adjustment Scale	
Contrast	Adjustment Scale	
Image Control	Auto Adjustment Horizontal Image Position Vertical Image Position Clock Clock Phase Cancel Save and Return	Adjustment Message Adjustment Scale Adjustment Scale Adjustment Scale Adjustment Scale
Color	9300 K 6500 K Custom Color Cancel Save and Return	Custom Color Adjustment
Language	Deutsch English Español Français Italiano Nederlands Cancel Save and Return	

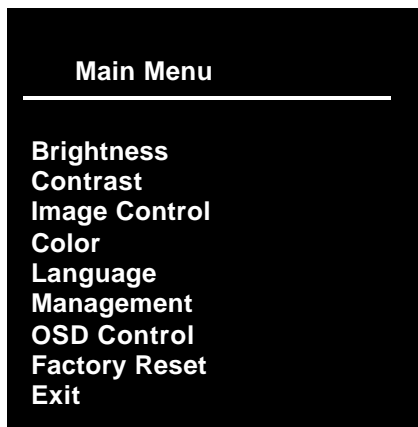
Management	Power Saver	On/Off Selection
	Power On Recall	On/Off Selection
	Mode Display	On/Off Selection
	Serial Number	Display serial number
	Sleep Timer	Timer Set Menu
	Basic Menu	
	Cancel	
	Save and Return	
OSD Control	Horizontal OSD Position	Adjustment Scale
	Vertical OSD Position	Adjustment Scale
	OSD Timeout	Adjustment Scale
	OSD Transparency	Adjustment Scale
	Cancel	
	Save and Return	
Factory Reset	Yes	
	No	
Exit		

How to Adjust Settings

- To launch the on-screen display menu, complete the following:
 - Basic Main Menu:** To display the Basic Main Menu, press the Menu button on the monitor front panel.



-
- ❑ **Advanced Main Menu:** Select “Advanced Menu” from the Basic Main Menu to display the Advanced Main Menu shown below.



Note: After the Advanced Main Menu has been selected, it remains the default on-screen display each time the monitor is powered on until the Basic Main Menu option is selected again.

2. To select an item from the Basic Main Menu, scroll down and highlight an item by pressing the Minus (-) button located on the monitor front panel. To reverse or back up, press the Plus (+) button.
3. Highlight your choice and press the Menu button again.
4. Adjust the Advanced Main Menu displays using the same procedure as the first level.

Note: The advanced menus for Brightness and Contrast display an adjustment screen. Use the Minus (-) button to decrease and the Plus (+) button to increase the screen brightness and contrast.

-
5. Access the third level by selecting a function and pressing the Menu button. Adjust the third level menu displays using the same procedures as the second level.
 6. To exit from the on-screen menu, select Exit from the Advanced Main Menu. If the display is a second or third-level menu, select Save and Return or Cancel, then select Exit from the Advanced Main Menu.

The on-screen display is easy to use, just follow the instructions on the screen.

Special OSD Messages

Special OSD messages will appear on the monitor screen when identifying the following monitor conditions:

- **Input Signal Out of Range:** Indicates the monitor is unable to access or fully support the provided input signal.
- **Going to Sleep:** Indicates the screen display is entering a sleep mode.
- **Check Video Cable:** Indicates the video cable may not be plugged into the computer or the computer may not be turned on.
- **OSD Lock:** The OSD can be enable or disabled by pressing and hold the Menu button on the front panel for 10 seconds. If the OSD is disabled, the warning message “OSD Lock” is displayed for five seconds.

Sleep Timer Mode

The Sleep Timer mode is an energy saving feature that enables you to set a time for the monitor to power on and off at the same time every day. This also extends the life of the backlight bulbs in the monitor. The Sleep Timer has five settings:

- Set Current Time
- Set Sleep Time

-
- Set On Time
 - Timer: On/Off
 - Sleep Now

To set the Sleep Timer, complete the following:

1. Press the Menu button on the monitor front panel to display the Advanced Menu.
2. Scroll down and highlight Management.
3. Press the Menu button to select Management.
4. Scroll down and highlight and select Sleep Timer.
5. From the Sleep Timer menu, select “Set Current Time”.

Note: You must set the current local time before you reset the time for Sleep Time or On Time.

6. Press the Menu button once to enter the adjustment mode for hours.
7. Press the Minus (-) or Plus (+) button to adjust the hour.
8. Press the Menu button again to enter the adjustment mode for minutes.
9. Press the Minus (-) or Plus (+) button to adjust the minutes.
10. Press the Menu button to lock in the time chose.
11. After setting the current time, the highlight automatically skips to Set Sleep Timer “hours”. Repeat steps 6 through 9 to set Sleep Time.
12. If you do not want to set Sleep Time, press the Menu button twice, then select Save and Return to exit the Menu.
13. After setting Sleep Time, the highlight automatically skips to Set On time “hours”. Repeat steps 6 though 9 to set On Time.

-
14. Set the Timer mode to On to activate the Sleep Timer settings.
 15. When you are finished, select Save and Return to exit the Menu.

The fifth selection Sleep Now turns the monitor backlights off immediately and stays in Sleep mode until the next On Time activates or a monitor button is pressed.

Adjusting Screen Quality

Allow the monitor to warmup for 20 minutes before performing the following procedure.

If image quality improvement is desired, select “Auto Adjust” in the OSD, using the Minus (-) button. For more precise adjustments, adjust the Clock and Clock Phase controls explained in the Optimizing Digital Conversion section of this manual. For additional explanation of these controls, use the Compaq LCD Display Assistant utility on the CD-ROM included with this monitor.

Note: The Compaq LCD Display Assistant utility is used to adjust the screen quality of your monitor. This utility provides on-screen instructions. To install this utility onto your computer, follow the instructions on the “Configuring Your Compaq LCD Monitor” card located in the Program License Agreement packet.

Optimizing Digital Conversion

Two controls in the on-screen display can be adjusted to optimize image performance: Clock and Clock Phase.

Important: The Clock must first be set correctly since the Clock Phase settings are dependent on the main Clock setting.

-
- **Clock:** Increase/decrease the value to minimize any vertical bars or stripes visible on the screen background.
 - **Clock Phase:** Increase/decrease the value to minimize video distortion or video jitter.

Note: When adjusting the Clock and Clock Phase values, if the monitor images become distorted, continue adjusting the values until the distortion disappears. To restore the factory settings, select Yes from the Factory Reset menu in the on-screen display.

Display Resolutions

The display resolutions listed below are the most commonly used modes and are set as factory defaults. This monitor automatically recognizes these preset modes and they will appear properly sized and centered on the screen.

Display Resolutions

Preset Modes	Resolution
1. VGA	640 x 350 at 31.5 KHz/70 Hz
2. VGA	640 x 480 at 31.5 KHz/60 Hz
3. VESA	640 x 480 a 37.9 KHz/72.8 Hz
4. VESA	640 x 480 at 37.5 KHz/75 Hz
5. VGA	720 x 400 at 31.5 KHz/70.1 Hz
6. SVGA	800 x 600 at 35.2 KHz/56.3 Hz
7. VESA	800 x 600 at 37.9 KHz/60.3 Hz
8. VESA	800 x 600 at 48.1 KHz/72.2 Hz
9. VESA	800 x 600 at 46.9 KHz/75 Hz
10. Macintosh-Compatible	832 x 624 at 49.7 KHz/74.6 Hz
11. VESA	1024 x 768 at 48.4 KHz/60 Hz
12. VESA	1024 x 768 at 56.5 KHz/70.1 Hz
13. VESA	1024 x 768 at 60.0 KHz/75 Hz

User Modes

The video controller signal may occasionally call for a mode that is not preset if:

- You are not using a Compaq standard graphics adapter.
- Your are not using a preset mode.

If this occurs, you may need to readjust the parameters of the monitor screen by using the on-screen display. User changes can be made to any or all of these modes and saved in memory. the monitor automatically stores the new setting, then recognizes the new mode just as it does a preset mode. In addition to the 13 factory preset modes, there are four user modes that can be entered and stored.

Energy Saver Feature

When the monitor is in its normal operating mode, the monitor utilizes less than 30 watts (40 watts with speakers) of power and the Power LED is green.

The monitor also supports a reduced power state. The reduce power state will be entered into if the monitor detects the absence of either the horizontal sync signal and/or the vertical sync signal. Upon detecting the absence of these signals, the monitor screen is blanked, the backlight is turned off, and the Power LED is turned amber. When the monitor is in the reduced power state, the monitor will utilize less than 3 watts of power. There is a brief warm up period before the monitor will return to its normal operating mode.

Refer to your computer manual for instructions on setting energy saver features (sometimes called power management features).

By selecting settings in the monitor's Energy Saver utility, you can also program the monitor to enter the reduced power state at a predetermined time. When the monitor's Energy Saver utility causes the monitor to enter the reduced power state, the Power LED blinks amber.

The following table describes the monitor energy saver levels available during the different modes of operation.

Energy Saver Levels

Mode	Power Usage	Description
Full Power	Less than 30 watts (40 watts w/speakers)	ON = Normal operation Power LED is green
Sleep	Less than 3 watts	Monitor screen is blanked. Backlights are turned off. Power LED turns amber. There is a brief warm-up period before returning to full power.
Programmable Sleep	Less than 3 watts	Monitor screen is blanked. Backlights are turned off. Power LED turns amber. There is a brief warm-up period before returning to full power.

Care and Maintenance

This section explains how to care for and maintain your Compaq monitor during normal everyday use.

Protecting the Monitor

To protect your monitor from overheating and other types of damage, follow these suggestions:

- Use only a power source and connection appropriate for this monitor, as indicated on the marking label/back plate.
- If an extension cord or power strip is used, make sure that the cord or strip is rated for the product and that the total ampere ratings of all products plugged into the extension cord or power strip do not exceed 80% of the extension cord or strip ampere ratings limit.
- Do not overload an electrical outlet, power strip, or convenience receptacle. The overall system load must not exceed 80% of the branch circuit rating. If power strips are used, the load should not exceed 80% of the power strip input rating.
- Install the monitor near an outlet that you can easily reach. Disconnect the product by grasping the plug firmly and pulling it from the outlet. Never disconnect it by pulling the cord.
- Unplug the monitor from the wall outlet before cleaning. do not use liquid cleaners or aerosol cleaners.
- Slots and openings in the cabinet are provided for ventilation. These openings must not be blocked or covered. Never push objects of any kind into cabinet slots or other openings.
- Do not drop the monitor or place it on an unstable surface.
- Do not allow anything to rest on the power cord. do not walk on the cord.

-
- Keep the monitor in a well-ventilated area, away from excessive light, heat, and moisture. Keep the monitor away from high capacity transformers, electric motors, and other strong magnetic fields.
 - Do not open the monitor cabinet or attempt to service this product yourself. Adjust only those controls that are covered by the operating instructions. If the monitor is not operating properly or has been dropped or damaged, contact your Compaq authorized dealer, reseller, or service provider.

Cleaning the Monitor

To clean the monitor, follow these steps:

1. Turn off the monitor and the computer.
2. Dust the monitor by wiping the screen and the cabinet with a soft, clean cloth.

CAUTION: Do not use benzene, thinner, or any volatile substance to clean the monitor screen or cabinet. These chemicals may damage the monitor. Never use water to clean an LCD screen.

Shipping the Monitor

Keep the original packing box in a storage area. You may need to later if you move or ship your monitor.

Agency Regulatory Notices

Federal Communications Commission Notice

This equipment has been tested and found to comply with the limits for a Class B digital device, pursuant to Part 15 of the FCC Rules. These limits are designed to provide reasonable protection against harmful interference in a residential installation. This equipment generates, uses, and can radiate radio frequency energy and, if not installed and used in accordance with the instructions, may cause harmful interference to radio communications. However, there is no guarantee that interference will not occur in a particular installation. If this equipment does cause harmful interference to radio or television reception, which can be determined by turning the equipment off and on, the user is encouraged to try to correct the interference by one or more of the following measures:

- Reorient or relocate the receiving antenna.
- Increase the separation between the equipment and the receiver.
- Connect the equipment into an outlet on a circuit different from that to which the receiver is connected.
- Consult the dealer or an experienced radio or television technician for help.

Modifications

The FCC requires the user to be notified that any changes or modifications made to this device that are not expressly approved by Compaq Computer Corporation may void the user's authority to operate the equipment.

Cables

Connections to this device must be made with shielded cables with metallic RFI/EMI connector hoods to maintain compliance with FCC Rules and Regulations.

Declaration of Conformity for Products Marked with FCC Logo, United States Only

This device complies with Part 15 of the FCC Rules. Operation is subject to the following two conditions: (1) this device may not cause harmful interference, and (2) this device must accept any interference received, including interference that may cause undesired operation.

For questions regarding your product, contact:

Compaq Computer Corporation
P. O. Box 692000, Mail Stop 530113
Houston, Texas 77269-2000

Or, call - 1-800- 652-6672 (1-800-OK COMPAQ)

For questions regarding this FCC declaration, contact:

Compaq Computer Corporation
P. O. Box 692000, Mail Stop 510101
Houston, Texas 77269-2000

Or, call - (281) 514-3333

To identify this product, refer to the Part, Series, or Model number found on the product.

Canadian Notice

This Class B digital apparatus meets all requirements of the Canadian Interference-Causing Equipment Regulations.

Avis Canadien

Cet appareil numérique de la classe B respecte toutes les exigences du Règlement sur le matériel brouilleur du Canada.

European Notice

Products with the CE Marking comply with both the EMC Directive (89/336/EEC) and the Low Voltage Directive (73/23/EEC) issued by the Commission of the European Community.

Compliance with these directives implies conformity to the following European Norms (in brackets are the equivalent international standards):

- EN55022 (CISPR 22) - Electromagnetic Interference
- EN55024 (IEC61000-4-2,3,4,5,6,8,11) - Electromagnetic Immunity
- EN61000-3-2 (IEC61000-3-2) – Power Line Harmonics
- EN61000-3-3 (IEC61000-3-3) – Power Line Flicker
- EN60950 (IEC950) - Product Safety

Japanese Notice

この装置は、情報通信技術振興財団電子工業調整委員会 (VCCI) の基準によつてクラスBの技術規格です。この装置は、家庭用で使用することを目的としていますが、この装置がラジオやテレビジョン受信機に近接して使用されると、受信障害を引き起こすことがあります。

取扱説明書に従って正しい取扱いをして下さい。

EPA Energy Star Compliance

Monitors that are marked with the Energy Star Logo meet the requirements of the EPA Energy Star program. As an Energy Star Partner, Compaq Computer Corporation has determined that this product meets the Energy Star guidelines for energy efficiency. Specific details on using the Energy Saving features can be found in the energy saver or power management section of the computer manual.

Power Cord Set Requirements

The monitor power supply is provided with Automatic Line Switching (ALS). This feature allows the monitor to operate on input voltages between 100-120V or 200-240V.

The power cord set (flexible cord or wall plug) received with the monitor meets the requirements for use in the country where you purchased the equipment.

If you need to obtain a power cord for a different country, you should purchase a power cord that is approved for use in that country.

The power cord must be rated for the product and for the voltage and current marked on the product's electrical ratings label. The voltage and current rating of the cord should be greater than the voltage and current rating marked on the product. In addition, the diameter of the wire must be a minimum of 0.75 mm² or 18AWG, and the length of the cord must be between 6 feet (1.8 m) and 12 feet (3.6 m). If you have questions about the type of power cord to use, contact your Compaq authorized service provider.

A power cord should be routed so that it is not likely to be walked on or pinched by items placed upon it or against it. Particular attention should be paid to the plug, electrical outlet, and the point where the cord exits from the product.



Free Manuals Download Website

<http://myh66.com>

<http://usermanuals.us>

<http://www.somanuals.com>

<http://www.4manuals.cc>

<http://www.manual-lib.com>

<http://www.404manual.com>

<http://www.luxmanual.com>

<http://aubethermostatmanual.com>

Golf course search by state

<http://golfingnear.com>

Email search by domain

<http://emailbydomain.com>

Auto manuals search

<http://auto.somanuals.com>

TV manuals search

<http://tv.somanuals.com>