

COMPAQ

Maintenance and Service Guide

Compaq Presario V6000 Notebook PC

Document Part Number: 416630-003

April 2007

This guide is a troubleshooting reference used for maintaining and servicing the computer. It provides comprehensive information on identifying computer features, components, and spare parts; troubleshooting computer problems; and performing computer disassembly procedures.

© Copyright 2006, 2007 Hewlett-Packard Development Company, L.P.

Microsoft, Windows, and Windows Vista are either trademarks or registered trademarks of Microsoft Corporation in the United States and/or other countries. Intel, Core, and Celeron are trademarks or registered trademarks of Intel Corporation or its subsidiaries in the United States and other countries and regions. Bluetooth is a trademark owned by its proprietor and used by Hewlett-Packard Company under license. SD Logo is a trademark of its proprietor. AMD, the AMD Arrow logo and combinations thereof are trademarks of Advanced Micro Devices, Inc.

The information contained herein is subject to change without notice. The only warranties for HP products and services are set forth in the express warranty statements accompanying such products and services. Nothing herein should be construed as constituting an additional warranty. HP shall not be liable for technical or editorial errors or omissions contained herein.

Maintenance and Service Guide
Compaq Presario V6000 Notebook PC
Third Edition: April 2007
First Edition: August 2006
Document Part Number: 416630-003

Safety warning notice



WARNING: To reduce the possibility of heat-related injuries or of overheating the computer, do not place the computer directly on your lap or obstruct the computer air vents. Use the computer only on a hard, flat surface. Do not allow another hard surface, such as an adjoining optional printer, or a soft surface, such as pillows or rugs or clothing, to block airflow. Also, do not allow the AC adapter to contact the skin or a soft surface, such as pillows or rugs or clothing, during operation. The computer and the AC adapter comply with the user-accessible surface temperature limits defined by the International Standard for Safety of Information Technology Equipment (IEC 60950).

Contents

1 Product Description

1.1 Features	1-2
1.2 Resetting the Computer	1-4
1.3 Power management	1-5
1.4 External Components	1-6
1.5 Design overview	1-22

2 Troubleshooting

2.1 Setup Utility in Windows XP	2-1
Using the Setup Utility	2-1
Setup Utility Menus	2-5
2.2 Setup Utility in Windows Vista	2-8
Using the Setup Utility	2-8
Setup Utility Menus	2-11
2.3 Troubleshooting Flowcharts	2-15

3 Illustrated Parts Catalog

3.1 Serial Number Location	3-1
3.2 Computer Major Components	3-2
3.3 Display Assembly Components	3-21
3.4 Mass Storage Devices	3-23
3.5 Plastics Kit	3-25
3.6 Miscellaneous	3-27
3.7 Sequential Part Number Listing	3-30

4 Removal and Replacement Preliminaries

4.1 Tools Required	4-1
4.2 Service Considerations	4-2
Plastic Parts	4-2
Cables and Connectors	4-2
4.3 Preventing Damage to Removable Drives	4-3
4.4 Preventing Electrostatic Damage	4-4
4.5 Packaging and Transporting Precautions	4-5
4.6 Workstation Precautions	4-6
4.7 Grounding Equipment and Methods	4-7

5 Removal and Replacement Procedures

5.1	Serial Number	5-2
5.2	Disassembly Sequence Chart	5-3
5.3	Preparing the Computer For Disassembly	5-4
5.4	Hard Drive.	5-6
5.5	Computer Feet.	5-10
5.6	Memory Module	5-11
5.7	RTC Battery	5-14
5.8	Mini Card Module.	5-15
5.9	Optical Drive.	5-20
5.10	Switch Cover.	5-22
5.11	Keyboard.	5-25
5.12	Power Button Board	5-29
5.13	Display Assembly	5-31
5.14	Top Cover	5-42
5.15	Audio Board	5-48
5.16	Bluetooth Module	5-50
5.17	ExpressCard Assembly	5-52
5.18	USB/Power Connector Board.	5-55
5.19	System Board	5-57
5.20	Fan/Heat Sink Assembly.	5-61
5.21	Processor.	5-64

6 Specifications

A Screw Listing

B Backup and Recovery in Windows XP

C Backup and Recovery in Windows Vista

D Display Component Recycling

E Connector Pin Assignments

F Power Cord Set Requirements

Index

Product Description

The Compaq Presario V6000 Notebook PC offers advanced modularity, Intel® Core™ Duo and Celeron® and AMD Turion™ 64 Mobile Technology and Mobile AMD Sempron™ processors, and extensive multimedia support.



Compaq Presario V6000 Notebook PC

1.1 Features

The following features vary by computer model:

- Intel Core Duo T7200 (2.00-GHz)
- Intel Core Duo T1350 (1.86-GHz)
- Intel Core Duo T5600 (1.83-GHz)
- Intel Core Duo T2350 (1.86-GHz)
- Intel Core Duo T2250 (1.73-GHz)
- Intel Core Duo T5500 (1.66-GHz)
- Intel Core Duo T5200 (1.66-GHz)
- Intel Core Duo T2060 (1.60-GHz)
- Intel Core Duo T2050 (1.60-GHz)
- Intel Celeron 440 (1.86-GHz)
- Intel Celeron 430 (1.73-GHz)
- Intel Celeron 420 (1.60-GHz)
- AMD Turion ML-60 (2.0-GHz)
- AMD Turion ML-56 (1.8-GHz)
- AMD Turion ML-52 (1.6-GHz)
- AMD Turion ML-50 (1.6-GHz)
- Mobile AMD Sempron 3500+ (1.8-GHz)
- Mobile AMD Sempron 3400+ (1.8-GHz)
- Mobile AMD Sempron 3200+ (1.6-GHz)
- 15.4-inch WXGA (1280 × 768) TFT display with over 16.7 million colors, varying by computer model
- 200-, 160-, 120-, 100-, 80-, 60-, and 40-GB high-capacity hard drive, varying by computer model
- 256-MB DDR synchronous DRAM (SDRAM) at 667 MHz, expandable to 2.0 GB
- Microsoft® Windows Vista™ Business, Windows Vista Home Basic, and Windows® XP Professional
- Full-size Windows keyboard with embedded numeric keypad

- TouchPad pointing device with on/off button and dedicated two-way scroll zone
- Integrated 10/100 BASE-T Ethernet local area network (LAN) network interface card (NIC) with RJ-45 jack
- Integrated high-speed 56K modem with RJ-11 jack
- Integrated wireless support for Mini Card IEEE 802.11b and 802.11b/g WLAN device
- Support for ExpressCard
- External 90- or 65-watt AC adapter with 3-wire power cord
- 6-cell or 12-cell Li-Ion battery
- Stereo speakers with volume up and down buttons
- Integrated microphones (select models only)
- Support for the following optical drives:
 - DVD±RW/R and CD-RW Double-Layer Combo Drive with LightScribe
 - DVD±RW/R and CD-RW Double-Layer Combo Drive
 - DVD/CD-RW Combo Drive
- Connectors:
 - Audio-in (microphone)
 - Audio-out (headphone)
 - Consumer infrared lens
 - Docking (select models only)
 - ExpressCard
 - External monitor
 - IEEE 1394 digital (select models only)
 - Memory Reader (select models only)
 - Power
 - RJ-11 (modem)
 - RJ-45 (network)
 - S-Video-out (select models only)
 - Universal Serial Bus (USB) v. 2.0

1.2 Resetting the Computer

If the computer you are servicing has an unknown password, follow these steps to clear the password. These steps also clear CMOS:

1. Prepare the computer for disassembly (refer to [Section 5.3, “Preparing the Computer For Disassembly,”](#) for more information).
2. Remove the real-time clock (RTC) battery (refer to [Section 5.7, “RTC Battery,”](#) for more information).
3. Wait approximately 5 minutes.
4. Replace the RTC battery and reassemble the computer.
5. Connect AC power to the computer. Do not reinsert any batteries at this time.
6. Turn on the computer.

All passwords and all CMOS settings have been cleared.

1.3 Power management

The computer comes with power management features that extend battery operating time and conserve power. The computer supports the following power management features:

- Standby
- Hibernation
- Setting customization by the user
- Hotkeys for setting the level of performance
- Battery calibration
- Lid switch standby/resume
- Power button
- Advanced Configuration and Power Management (ACPM) compliance

1.4 External Components

The external components on the front of the computer are shown below and described in Table 1-1.




Front Components

Table 1-1
Front Components

Item	Component	Function
1	Power light	On: The computer is on. Blinking: The computer is in standby. Off: The computer is off or in hibernation.
2	Battery light	On: A battery is charging. Blinking: A battery that is the only available power source has reached a low-battery condition. When the battery reaches a <i>critical</i> low-battery condition, the battery light begins blinking rapidly. Off: If the computer is plugged into an external power source, the light is turned off when all batteries in the computer are fully charged. If the computer is not plugged into an external power source, the light stays off until the battery reaches a low-battery condition.

Table 1-1
Front Components (Continued)

Item	Component	Function
3	Drive light	Blinks when the hard drive or optical drive is being accessed.
4	Wireless switch	Turns the wireless feature on or off, but does not create a wireless connection.  A wireless network must be set up to establish a wireless connection.
5	Wireless light	Blue: An integrated wireless device, such as a wireless local area network (LAN) device and/or a Bluetooth® device, is turned on. Amber: All wireless devices are turned off.
6	Consumer infrared lens (select models only)	Receives a signal from the HP Remote Control.
7	Audio-in (microphone) jack	Connects an optional computer headset microphone, stereo array microphone, or monaural microphone.
8	Audio-out (headphone) jack	Produces sound when connected to optional powered stereo speakers, headphones, ear buds, a headset, or television audio.

The external components on the left side of the computer are shown below and described in Table 1-2.



Left-Side Components

Table 1-2

Left-Side Components

Item	Component	Function
1	S-Video-out jack	Connects an optional S-Video device such as a television, VCR, camcorder, overhead projector, or video capture card.
2	External monitor port	Connects an external VGA monitor or projector.
3	Expansion port 3	Connects the computer to an optional expansion product.


 The computer has only one expansion port. The term *expansion port 3* describes the type of expansion port.

Table 1-2
Left-Side Components (Continued)


Item	Component	Function
4	RJ-45 (network) jack	Connects a network cable.
5	RJ-11 (modem) jack	Connects a modem cable.
6	HDMI port (select models only)	Connects an optional audio or video device, such as a high definition television, set-top box, DVD player, or any compatible digital or audio device.
7	USB ports (2)	Connect optional USB devices.
8	1394 port (select models only)	Connects an optional IEEE 1394 or 1394a device, such as a camcorder.
9	Memory Reader (select models only)	Supports the following optional digital card formats: Secure Digital (SD) Memory Card, MultiMediaCard (MMC), Secure Digital Input/Output (SD I/O), Memory Stick (MS), Memory Stick Pro (MSP), xD-Picture Card (XD), xDPicture Card (XD) Type M.

The external components on the right side of the computer are shown below and described in Table 1-3.

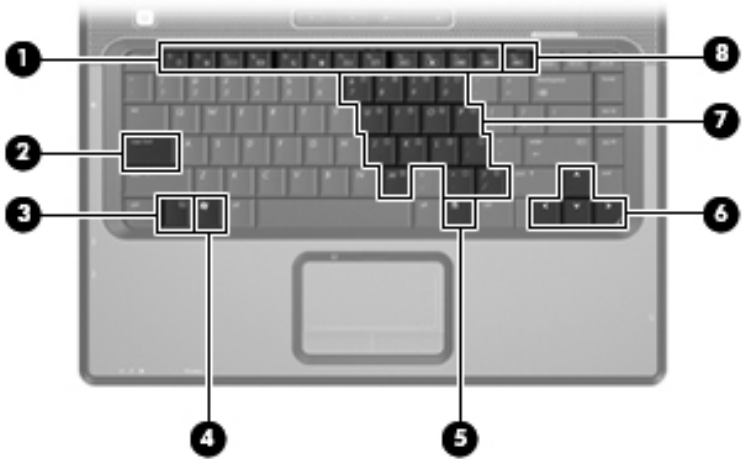


Right-Side Components

Table 1-3
Right-Side Components

Item	Component	Function
1	ExpressCard slot	Supports optional ExpressCard/54 cards.
2	Optical drive	Reads an optical disc.
3	USB port (select models only)	Connects an optional USB device.
4	Power connector	Connects an AC adapter.
5	Security cable slot	Attaches an optional security cable to the computer.  The security cable is designed to act as a deterrent, but it may not prevent the computer from being mishandled or stolen.

The computer keyboard components are shown below and described in Table 1-4.

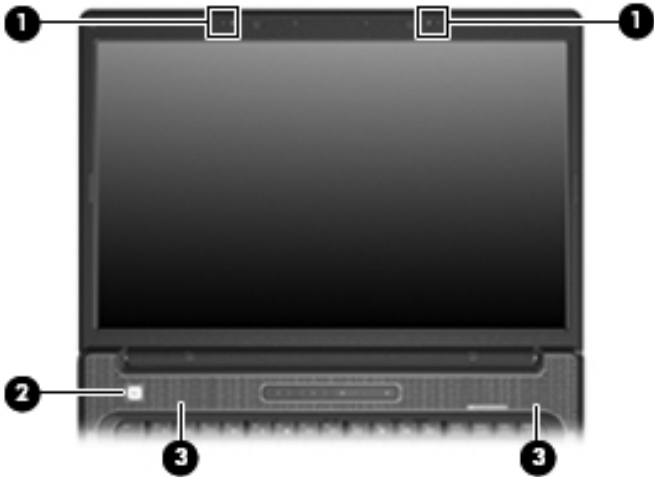


Keyboard Components

Table 1-4
Keyboard Components


Item	Component	Function
1	Function keys	Execute frequently used system functions when pressed in combination with the fn key.
2	caps lock key	Enables caps lock and turns on the caps lock light.
3	fn key	Executes frequently used system functions when pressed in combination with a function key or the esc key.
4	Windows logo key	Displays the Microsoft Windows Start menu.
5	Windows applications key	Displays a shortcut menu for items beneath the pointer.
6	Arrow keys	Move the cursor around the screen.
7	Embedded numeric keypad keys	Can be used like the keys on an external numeric keypad.
8	num lock key	Enables numeric lock, turns on the embedded numeric keypad, and turns on the num lock light.

The computer top components are shown below and described in Table 1-5.

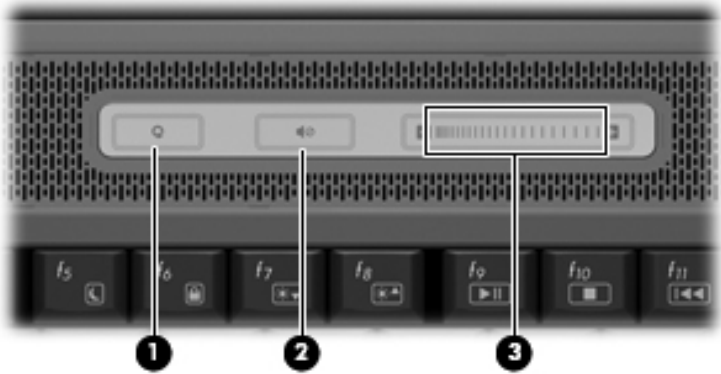


Top Components, Part 1

Table 1-5
Top Components, Part 1


Item	Component	Function
1	Internal microphones (2, select models only)	Record sound.  If there is a microphone icon next to each microphone opening, your computer has internal microphones.
2	Power button	When the computer is <ul style="list-style-type: none"> ■ Off, press to turn on the computer. ■ On, press to enter hibernation. ■ In standby, briefly press to exit standby. ■ In hibernation, briefly press to exit hibernation. If the computer has stopped responding and Microsoft® Windows® shutdown procedures cannot be used, press and hold the power button for at least 5 seconds to turn off the computer.
3	Speakers (2)	Produce sound.

The computer top components are shown below and described in Table 1-6.

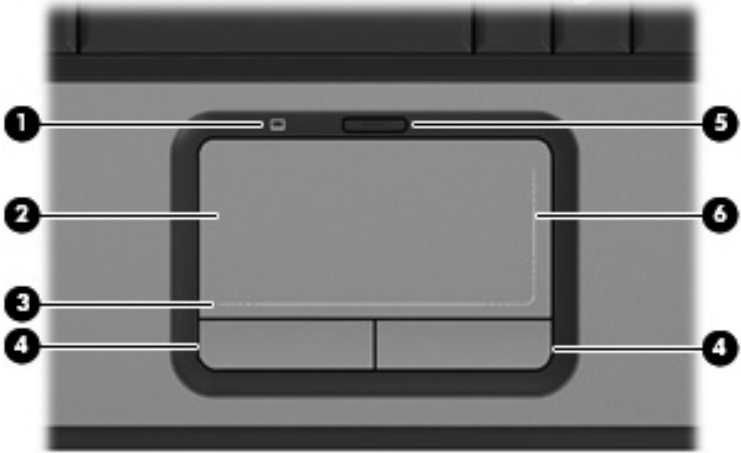


Top Components, Part 2

Table 1-6
Top Components, Part 2

Item	Component	Function
1	Media button	<p>If QuickPlay is not installed and the computer is</p> <ul style="list-style-type: none"> ■ On, opens the music program or Media menu, which allows you to select a multimedia program. ■ Off, does not function. ■ In standby, resumes from standby into Windows. <p>If QuickPlay is installed and the computer is</p> <ul style="list-style-type: none"> ■ On, opens the music program or Media menu, which allows you to select a multimedia program. ■ Off, opens the music program or the Media menu, which allows you to select a multimedia program. ■ In standby, resumes from standby into Windows. <p> The media button does not affect the procedure for restoring from hibernation.</p>
2	Volume mute button	Mutes and restores speaker sound.
3	Volume scroll zone	Adjusts speaker volume. Slide your finger to the left to decrease volume and to the right to increase volume. You can also tap the minus sign on the scroll zone to decrease volume, or you can tap the plus sign on the scroll zone to increase volume.

The computer TouchPad components are shown below and described in Table 1-7.

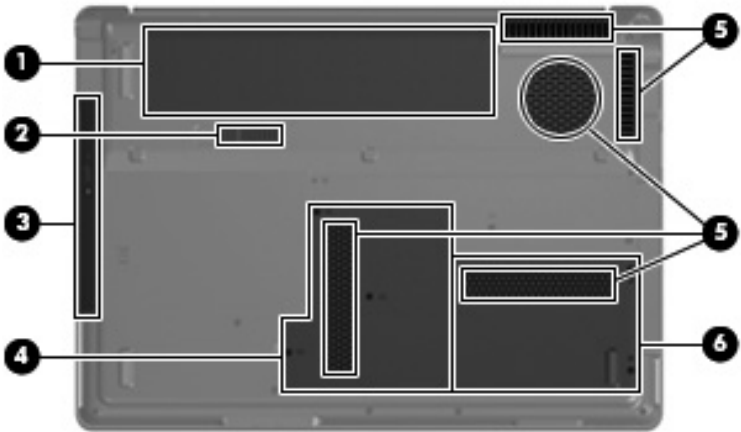


TouchPad Components

Table 1-7
Touchpad Components

Item	Component	Function
1	TouchPad light	Blue: TouchPad is enabled. Amber: TouchPad is disabled.
2	TouchPad	Moves the pointer and selects or activates items on the screen.
3	TouchPad horizontal scroll zone	Allows you to scroll left or right.
4	Left and right TouchPad buttons	Function like the left and right buttons on an external mouse.
5	TouchPad on/off button	Enables/disables the TouchPad.
6	TouchPad vertical scroll zone	Allows you to scroll up or down.

The external components on the bottom of the computer are shown below and described in Table 1-8.




Bottom Components

Table 1-8
Bottom Components

Item	Component	Function
1	Battery bay	Holds the battery.
2	Battery release latch	Releases the battery from the battery bay.
3	Optical drive	Reads an optical disc.

Table 1-8
Bottom Components (*Continued*)

Item	Component	Function
4	Memory module compartment	Contains the memory module slots, the Mini Card WLAN slot, and the RTC battery.
5	Vents (5)	<p>Enable airflow to cool internal components.</p> <p> The computer fan starts up automatically to cool internal components and prevent overheating. It is normal for the internal fan to cycle on and off during routine operation.</p>
6	Hard drive bay	Holds the hard drive.

1.5 Design overview

This section presents a design overview of key parts and features of the computer. Refer to [Chapter 3, “Illustrated Parts Catalog,”](#) to identify replacement parts, and [Chapter 5, “Removal and Replacement Procedures,”](#) for disassembly steps.

The system board provides the following device connections:

- AMD Turion and Mobile AMD Sempron processors
- Audio
- Display
- ExpressCard
- Fan
- Hard drive
- Intel Core Duo and Celeron processors
- Keyboard and TouchPad
- Memory module
- Mini Card module



CAUTION: To properly ventilate the computer, allow at least a 7.6-cm (3-inch) clearance on the left and right sides of the computer.

The computer uses an electric fan for ventilation. The fan is controlled by a temperature sensor and is designed to turn on automatically when high temperature conditions exist. These conditions are affected by high external temperatures, system power consumption, power management/battery conservation configurations, battery fast charging, and software. Exhaust air is displaced through the ventilation grill located on the left side of the computer.

Troubleshooting



WARNING: Only authorized technicians trained by HP should repair this equipment. All troubleshooting and repair procedures are detailed to allow only subassembly-/module-level repair. Because of the complexity of the individual boards and subassemblies, do not attempt to make repairs at the component level or modifications to any printed wiring board. Improper repairs can create a safety hazard. Any indication of component replacement or printed wiring board modification may void any warranty or exchange allowances.

2.1 Setup Utility in Windows XP

The Setup Utility is a ROM-based information and customization utility that can be used even when your Windows operating system is not working or will not load.

The utility reports information about the computer and provides settings for startup, security, and other preferences.

1. Turn on or restart the computer in Windows.
2. Before Windows opens and while the “Press <F10> to enter setup” prompt is displayed in the lower-left corner of the screen, press **f10**.

Using the Setup Utility

Changing the Language of the Setup Utility

The following procedure explains how to change the language of the Setup Utility. If the computer is not in the Setup Utility, begin at step 1. If the computer is in the Setup Utility, begin at step 2.

1. To open the Setup Utility, turn on or restart the computer in Windows, and then press **f10** while the prompt, “Press <F10> to enter setup,” is displayed in the lower-left corner of the screen.
2. Use the arrow keys to select **System Configuration > Language**, and then press **enter**.
3. Press **f5** or **f6** (or use the arrow keys) to select a language, and then press **enter** to select a language.
4. When a confirmation prompt with your preference selected is displayed, press **enter** to save your preference.
5. To set your preferences and exit the Setup Utility, press **f10** and then follow the instructions on the screen.

Your preferences go into effect when the computer restarts in Windows.

Navigating and Selecting in the Setup Utility

Because the Setup Utility is not Windows-based, it does not support the TouchPad. Navigation and selection are by keystroke.

- To choose a menu or a menu item, use the arrow keys.
- To choose an item in a drop-down list or to toggle a field, for example an Enable/Disable field, use either the arrow keys or **f5** or **f6**.
- To select an item, press **enter**.
- To close a text box or return to the menu display, press **f1**.
- To display additional navigation and selection information while the Setup Utility is open, press **f1**.

Displaying System Information

The following procedure explains how to display system information in the Setup Utility. If the Setup Utility is not open, begin at step 1. If the Setup Utility is open, begin at step 2.

1. To start the Setup Utility, turn on or restart the computer in Windows, and then press **f10** while the prompt, “Press <F10> to enter setup,” is displayed in the lower-left corner of the screen.
2. Access the system information by using the **Main** menu.
3. To close the Setup Utility without changing any settings, use the arrow keys to select **Exit > Exit Discarding Changes**, and then press **enter**. (The computer restarts in Windows.)

Restoring Default Settings in the Setup Utility

The following procedure explains how to restore the Setup Utility default settings. If the computer is not in the Setup Utility, begin at step 1. If the computer is in the Setup Utility, begin at step 2.

1. To start the Setup Utility, turn on or restart the computer in Windows, and then press **f10** while the prompt, “Press <F10> to enter setup,” is displayed in the lower-left corner of the screen.
2. Select **Exit > Load Setup Defaults**, and then press **f10**.
3. When the Setup Confirmation is displayed, press **enter** to save your preferences.
4. To set your preferences and exit the Setup Utility, press **f10**, and then follow the instructions on the screen.

The Setup Utility default settings are set when you exit the Setup Utility and go into effect when the computer restarts.



Your password, security, and language settings are not changed when you restore the factory default settings.

Using Advanced Setup Utility Features

This guide describes the Setup Utility features recommended for all users. For more information about the Setup Utility features recommended for advanced users only, refer to the Help and Support Center, which is accessible only when the computer is in Windows.

The Setup Utility features available for advanced users include a hard drive self-test, a Network Service Boot, and settings for boot order preferences.

The “<F12> to boot from LAN” message that is displayed in the lower-left corner of the screen each time the computer is started or restarted in Windows or restored from hibernation is the prompt for a Network Service Boot.

The “Press <ESC> to change boot order” message that is displayed in the lower-left corner of the screen each time the computer is started or restarted in Windows or restored from hibernation is the prompt to change the boot order.

Closing the Setup Utility

You can close the Setup Utility with or without saving changes.

- To close the Setup Utility and save your changes from the current session, use either of the following procedures:
 - Press **f10**, and then follow the instructions on the screen.
– or –
 - If the Setup Utility menus are not visible, press **esc** to return to the menu display. Then use the arrow keys to select **Exit > Exit Saving Changes**, and then press **enter**.

When you use the **f10** procedure, you are offered an option to return to the Setup Utility. When you use the Exit Saving Changes procedure, the Setup Utility closes when you press **enter**.

- To close the Setup Utility without saving your changes from the current session:

If the Setup Utility menus are not visible, press **esc** to return to the menu display. Then use the arrow keys to select **Exit > Exit Discarding Changes**, and then press **enter**.

After the Setup Utility closes, the computer restarts in Windows.

Setup Utility Menus

The menu tables in this section provide an overview of Setup Utility options.



Some of the Setup Utility menu listed in this chapter may not be supported by your computer.

Main Menu

Table 2-1

Main Menu

Select	To Do This
System Information	<ul style="list-style-type: none"> ■ View and change the system time and date. ■ View identification information about the computer. ■ View specification information about the processor, memory size, system BIOS, and keyboard controller version (select models only).

Security Menu

Table 2-2
Security Menu

Select	To Do This
Administrator password	Enter, change, or delete an administrator password.
Power-on password	Enter, change, or delete a power-on password.

System Configuration Menu

Table 2-3
System Configuration Menu

Select	To Do This
Language Support	Change the Setup Utility language.
Embedded WLAN Device Radio	Enable/disable an embedded wireless LAN device.
Embedded Bluetooth Device (select models only)	Enable/disable an embedded Bluetooth device (select models only).
Enhanced SATA support (select models only)	Enable/disable enhanced SATA mode.

Table 2-3
System Configuration Menu (Continued)

Select	To Do This
Boot Options	<p>Set the following boot options:</p> <ul style="list-style-type: none"> ■ f10 and f12 Delay (sec.)—Set the delay for the f10 and f12 functions of the Setup Utility in intervals of 5 seconds each (0, 5, 10, 15, 20). ■ CD-ROM boot—Enable/disable boot from CD-ROM. ■ Floppy boot—Enable/disable boot from Floppy. ■ Internal Network Adapter boot—Enable/disable boot from Internal Network Adapter. ■ Boot Order—Set the boot order for: <ul style="list-style-type: none"> <input type="checkbox"/> USB Floppy <input type="checkbox"/> ATAPI CD/DVD ROM Drive <input type="checkbox"/> Hard drive <input type="checkbox"/> USB Diskette on Key <input type="checkbox"/> USB Hard drive <input type="checkbox"/> Network adapter

Diagnostics Menu

Table 2-4
Diagnostics Menu

Select	To Do This
Hard Disk Self Test	Run a comprehensive self-test on the hard drive.

2.2 Setup Utility in Windows Vista

The Setup Utility is a ROM-based information and customization utility that can be used even when your Windows® operating system is not working or will not load.



The fingerprint reader (select models only) does not work when accessing the Setup Utility.

The utility reports information about the computer and provides settings for startup, security, and other preferences.

To start the Setup Utility:

1. Turn on or restart the computer.
2. Before Windows opens and while “Press <F10> to enter setup” is displayed in the lower-left corner of the screen, press **f10**.

Using the Setup Utility

Changing the Language of the Setup Utility

The following procedure explains how to change the language of the Setup Utility. If the Setup Utility is not already running, begin at step 1. If the Setup Utility is already running, begin at step 2.

1. To start the Setup Utility, turn on or restart the computer, and then press **f10** while “Press <F10> to enter setup” is displayed in the lower-left corner of the screen.
2. Use the arrow keys to select **System Configuration > Language**, and then press **enter**.
3. Press **f5** or **f6** (or use the arrow keys) to select a language, and then press **enter** to select a language.
4. When a confirmation prompt with your preference selected is displayed, press **enter** to save your preference.

5. To set your preferences and exit the Setup Utility, press **f10** and then follow the instructions on the screen.

Your preferences go into effect when the computer restarts in Windows.

Navigating and Selecting in the Setup Utility

Because the Setup Utility is not Windows-based, it does not support the TouchPad. Navigation and selection are by keystroke.

- To choose a menu or a menu item, use the arrow keys.
- To choose an item in a drop-down list or to toggle a field, for example an Enable/Disable field, use either the arrow keys or **f5** or **f6**.
- To select an item, press **enter**.
- To close a text box or return to the menu display, press **esc**.
- To display additional navigation and selection information while the Setup Utility is open, press **f1**.

Displaying System Information

The following procedure explains how to display system information in the Setup Utility. If the Setup Utility is not open, begin at step 1. If the Setup Utility is open, begin at step 2.

1. To start the Setup Utility, turn on or restart the computer, and then press **f10** while “Press <F10> to enter setup” is displayed in the lower-left corner of the screen.
2. Access the system information by using the **Main** menu.
3. To exit the Setup Utility without changing any settings, use the arrow keys to select **Exit > Exit Discarding Changes**, and then press **enter**. (The computer restarts in Windows.)

Restoring Default Settings in the Setup Utility

The following procedure explains how to restore the Setup Utility default settings. If the Setup Utility is not already running, begin at step 1. If the Setup Utility is already running, begin at step 2.

1. To start the Setup Utility, turn on or restart the computer, and then press **f10** while “Press <F10> to enter setup” is displayed in the lower-left corner of the screen.
2. Select **Exit > Load Setup Defaults**, and then press **enter**.
3. When the Setup Confirmation is displayed, press **enter** to save your preferences.
4. To set your preferences and exit the Setup Utility, press **f10**, and then follow the instructions on the screen.

The Setup Utility default settings are set when you exit the Setup Utility and go into effect when the computer restarts.



Your password, security, and language settings are not changed when you restore the factory default settings.

Using Advanced Setup Utility Features

This guide describes the Setup Utility features recommended for all users. For more information about the Setup Utility features recommended for advanced users only, refer to Help and Support, which is accessible only when the computer is in Windows.

The Setup Utility features available for advanced users include a hard drive self-test, a Network Service Boot, and settings for boot order preferences.

The “<F12> to boot from LAN” message that is displayed in the lower-left corner of the screen each time the computer is started or restarted in Windows is the prompt for a Network Service Boot.

The “Press <ESC> to change boot order” message that is displayed in the lower-left corner of the screen each time the computer is started or restarted in Windows is the prompt to change the boot order.

Closing the Setup Utility

You can close the Setup Utility with or without saving changes.

- To close the Setup Utility and save your changes from the current session, use either of the following procedures:
 - Press **f10**, and then follow the instructions on the screen.
 - or –
 - If the Setup Utility menus are not visible, press **esc** to return to the menu display. Then use the arrow keys to select **Exit > Exit Saving Changes**, and then press **enter**.

When you use the **f10** procedure, you are offered an option to return to the Setup Utility. When you use the **Exit Saving Changes** procedure, the Setup Utility closes when you press **enter**.

- To close the Setup Utility without saving your changes from the current session:

If the Setup Utility menus are not visible, press **esc** to return to the menu display. Then use the arrow keys to select **Exit > Exit Discarding Changes**, and then press **enter**.

After the Setup Utility closes, the computer restarts in Windows.

Setup Utility Menus

The menu tables in this section provide an overview of Setup Utility options.



Some of the Setup Utility menu items listed in this chapter may not be supported by your computer.

Main Menu

Table 2-1
Main Menu

Select	To Do This
System Information	<ul style="list-style-type: none">■ View and change the system time and date.■ View identification information about the computer.■ View specification information about the processor, memory size, system BIOS, and keyboard controller version (select models only).

Security Menu

Table 2-2
Security Menu

Select	To Do This
Administrator password	Enter, change, or delete an administrator password.
Power-on password	Enter, change, or delete a power-on password.

System Configuration Menu

Table 2-3
System Configuration Menu


Select	To Do This
Language Support	Change the Setup Utility language.
Enhanced SATA support (select models only)	Enable/disable enhanced SATA mode.

Table 2-3
System Configuration Menu

Select	To Do This
Boot Options	<p>Set the following boot options:</p> <ul style="list-style-type: none"> ■ f10 and f12 Delay (sec.)—Set the delay for the f10 and f12 functions of the Setup Utility in intervals of 5 seconds each (0, 5, 10, 15, 20). ■ CD-ROM boot—Enable/disable boot from CD-ROM. ■ Floppy boot—Enable/disable boot from Floppy. ■ Internal Network Adapter boot—Enable/disable boot from Internal Network Adapter. ■ Boot Order—Set the boot order for: <ul style="list-style-type: none"> <input type="checkbox"/> USB Floppy <input type="checkbox"/> ATAPI CD/DVD ROM Drive <input type="checkbox"/> Hard drive <input type="checkbox"/> USB Diskette on Key <input type="checkbox"/> USB Hard drive <input type="checkbox"/> Network adapter
Button Sound (select models only)	Enable/disable the Quick Launch Button tapping sound.
Video memory up to (select models only)	Select the amount of video memory.

Diagnostics Menu

Table 2-4
Diagnostics Menu

Select	To Do This
Hard Disk Self Test	Run a comprehensive self-test on the hard drive.  On models with two hard drives, this menu option is called the Primary Hard Disk Self Test .
Secondary Hard Disk Self Test (select models only)	Run a comprehensive self-test on a secondary hard drive.

2.3 Troubleshooting Flowcharts

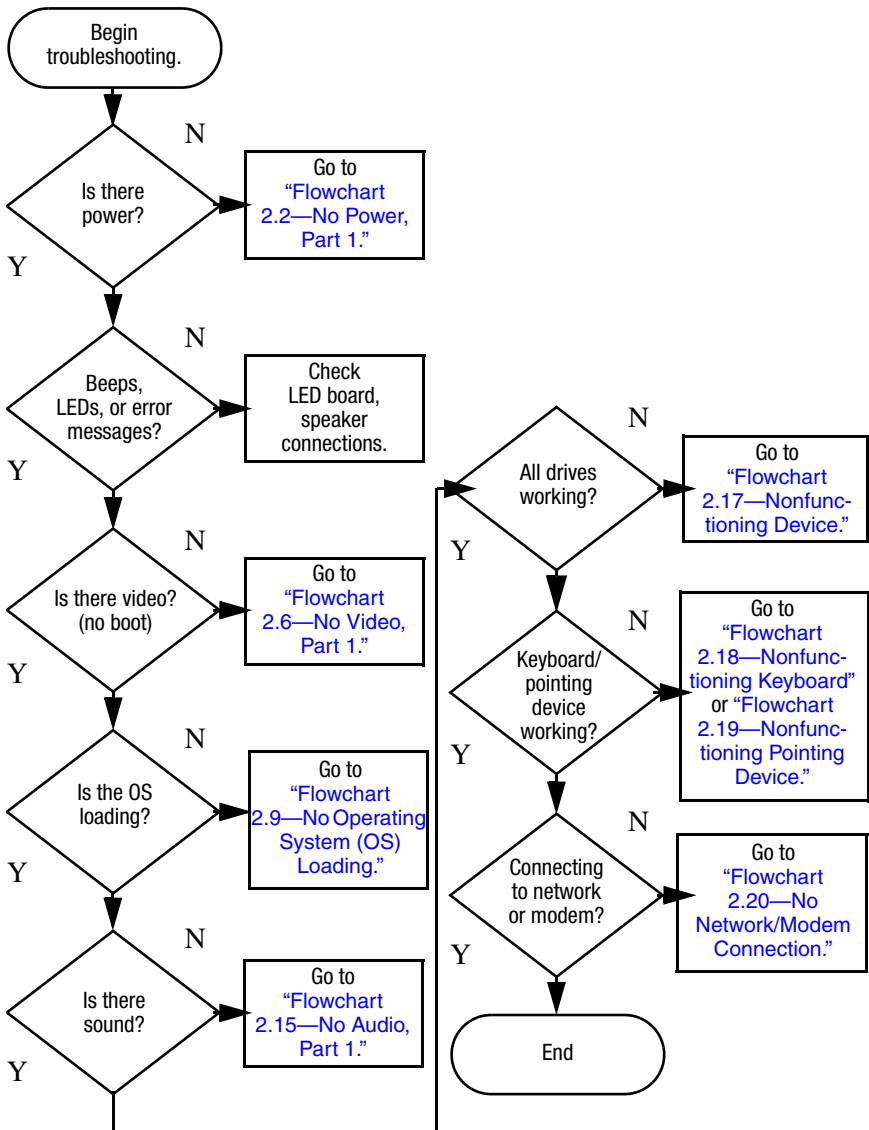
Table 2-5
Troubleshooting Flowcharts Overview

Flowchart	Description
2.1	"Flowchart 2.1—Initial Troubleshooting"
2.2	"Flowchart 2.2—No Power, Part 1"
2.3	"Flowchart 2.3—No Power, Part 2"
2.4	"Flowchart 2.4—No Power, Part 3"
2.5	"Flowchart 2.5—No Power, Part 4"
2.6	"Flowchart 2.6—No Video, Part 1"
2.7	"Flowchart 2.7—No Video, Part 2"
2.8	"Flowchart 2.8—Nonfunctioning Docking Device (if applicable)"
2.9	"Flowchart 2.9—No Operating System (OS) Loading"
2.10	"Flowchart 2.10—No OS Loading, Hard Drive, Part 1"
2.11	"Flowchart 2.11—No OS Loading, Hard Drive, Part 2"
2.12	"Flowchart 2.12—No OS Loading, Hard Drive, Part 3"
2.13	"Flowchart 2.13—No OS Loading, Diskette Drive"

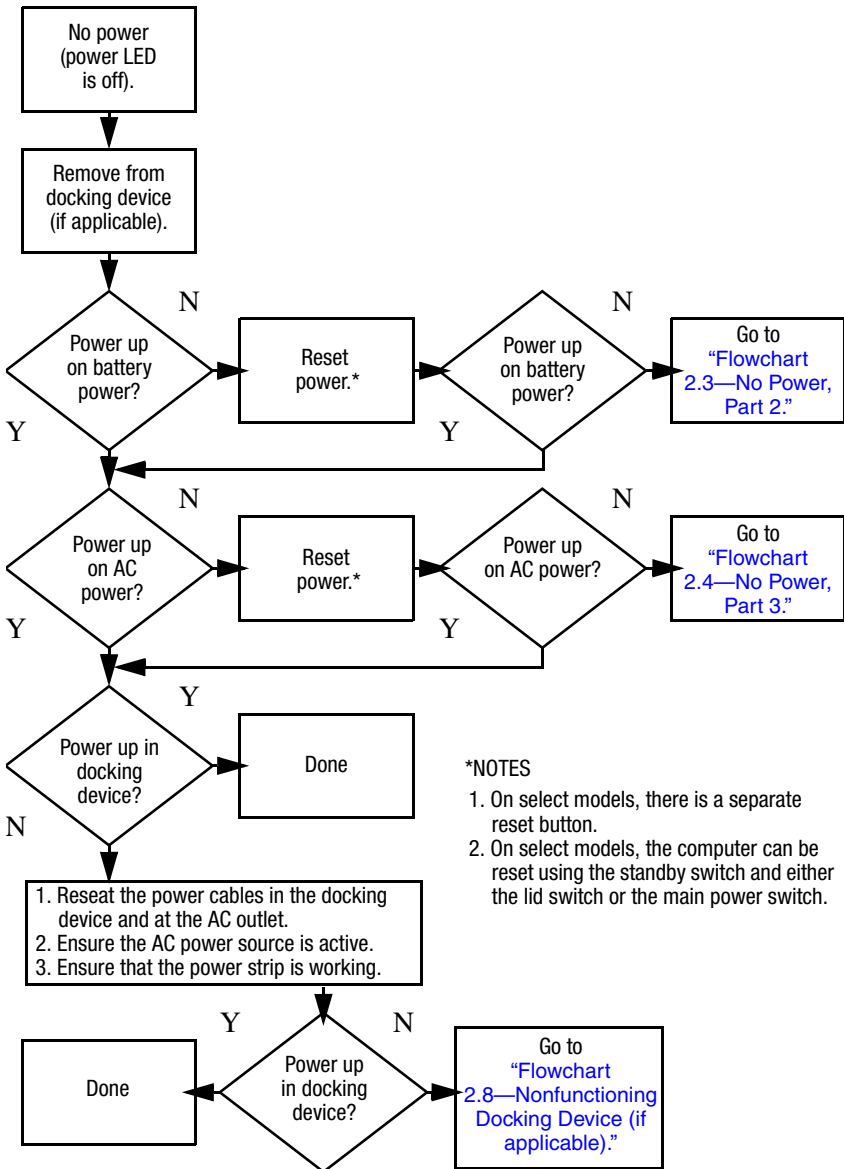
Table 2-5
Troubleshooting Flowcharts Overview (*Continued*)

Flowchart	Description
2.14	"Flowchart 2.14—No OS Loading, Optical Drive"
2.15	"Flowchart 2.15—No Audio, Part 1"
2.16	"Flowchart 2.16—No Audio, Part 2"
2.17	"Flowchart 2.17—Nonfunctioning Device"
2.18	"Flowchart 2.18—Nonfunctioning Keyboard"
2.19	"Flowchart 2.19—Nonfunctioning Pointing Device"
2.20	"Flowchart 2.20—No Network/Modem Connection"

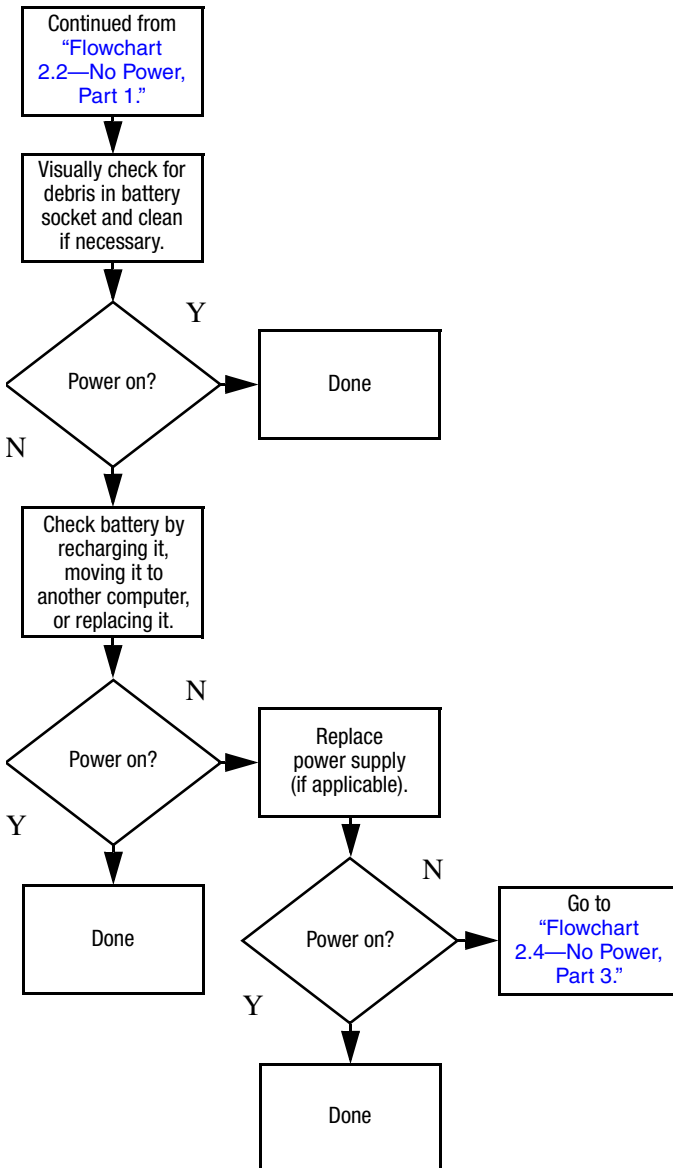
Flowchart 2.1 – Initial Troubleshooting



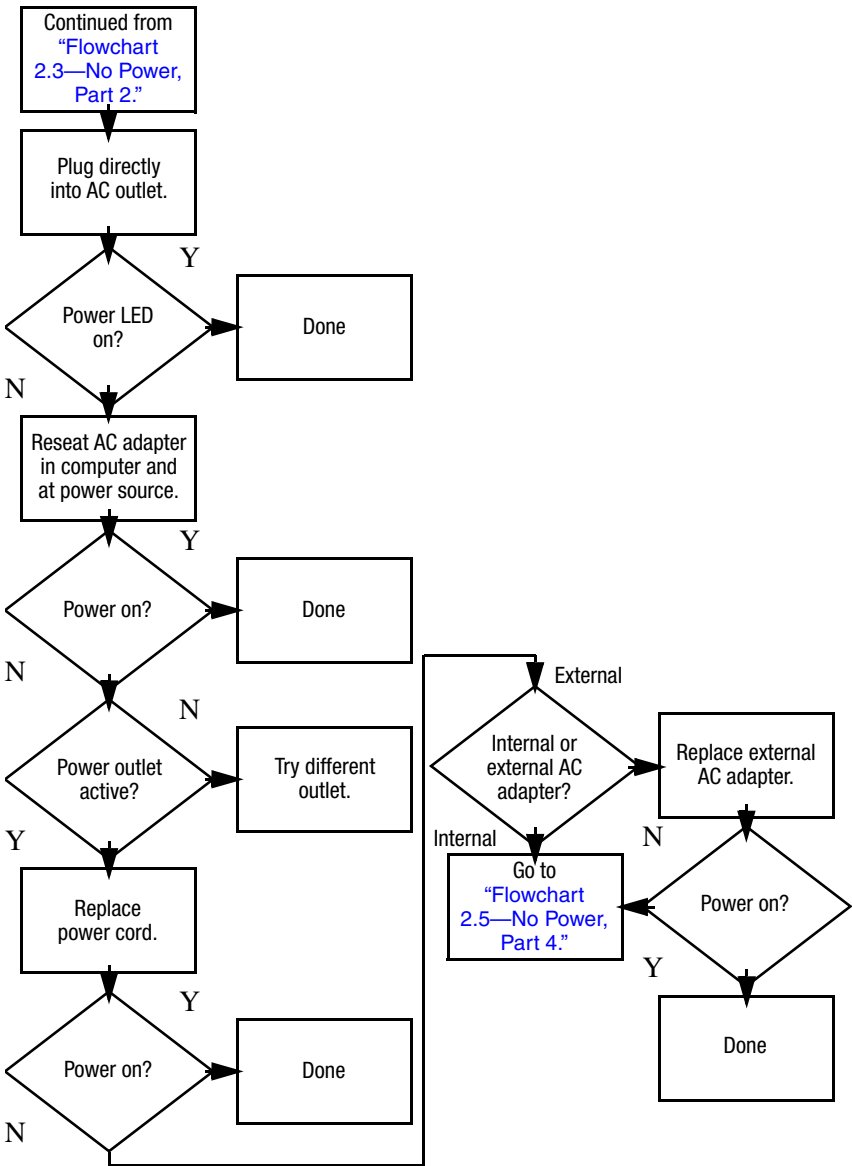
Flowchart 2.2—No Power, Part 1



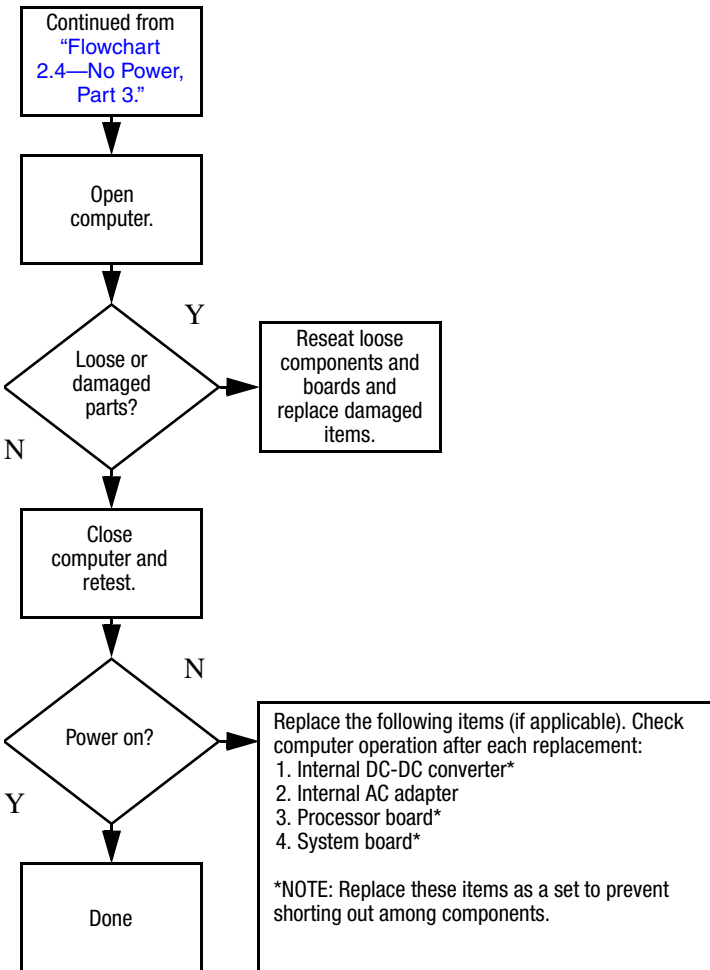
Flowchart 2.3—No Power, Part 2



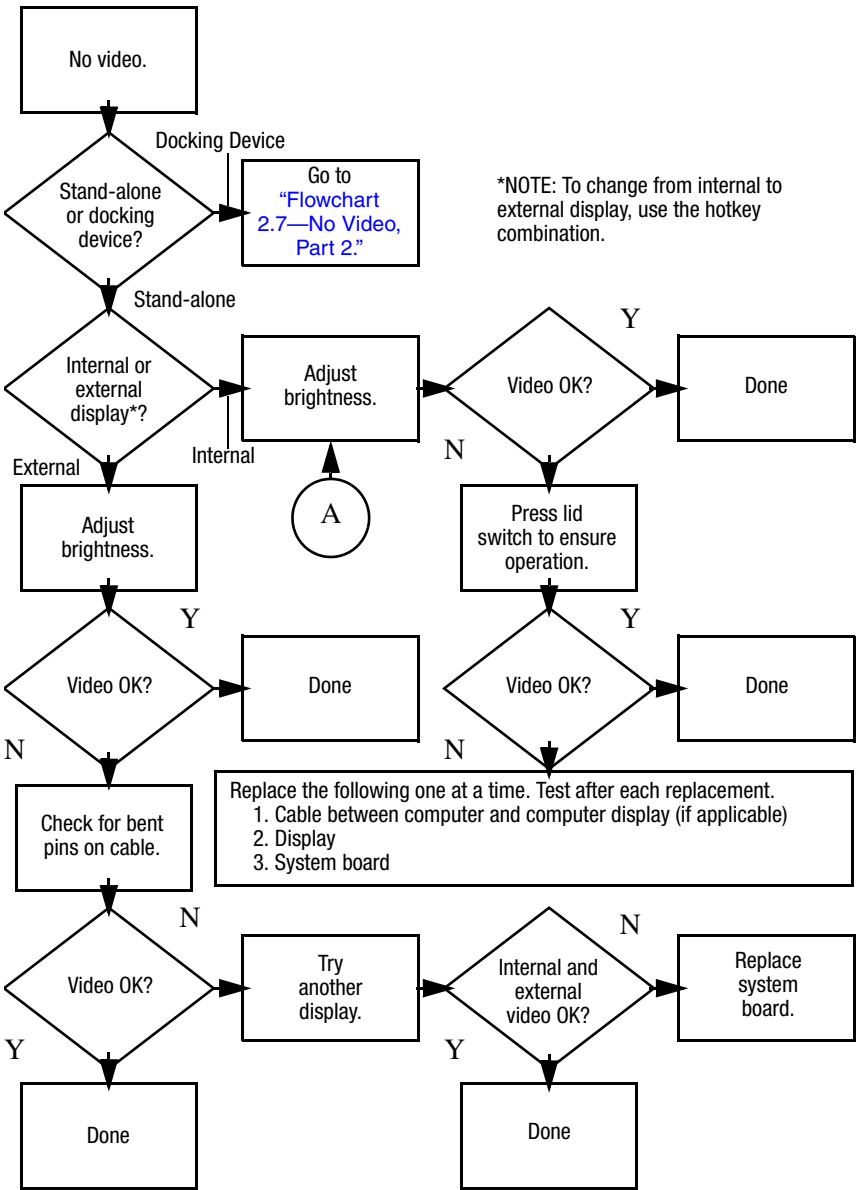
Flowchart 2.4—No Power, Part 3



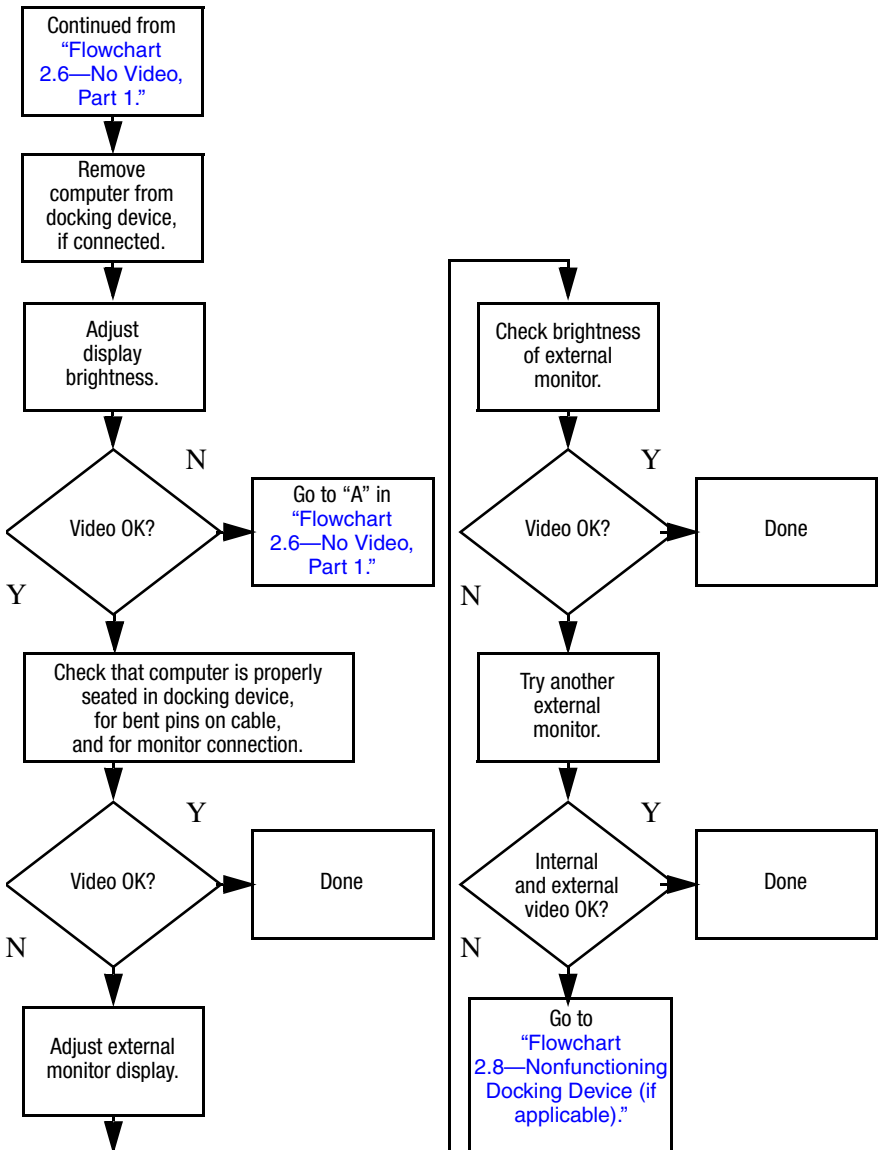
Flowchart 2.5—No Power, Part 4



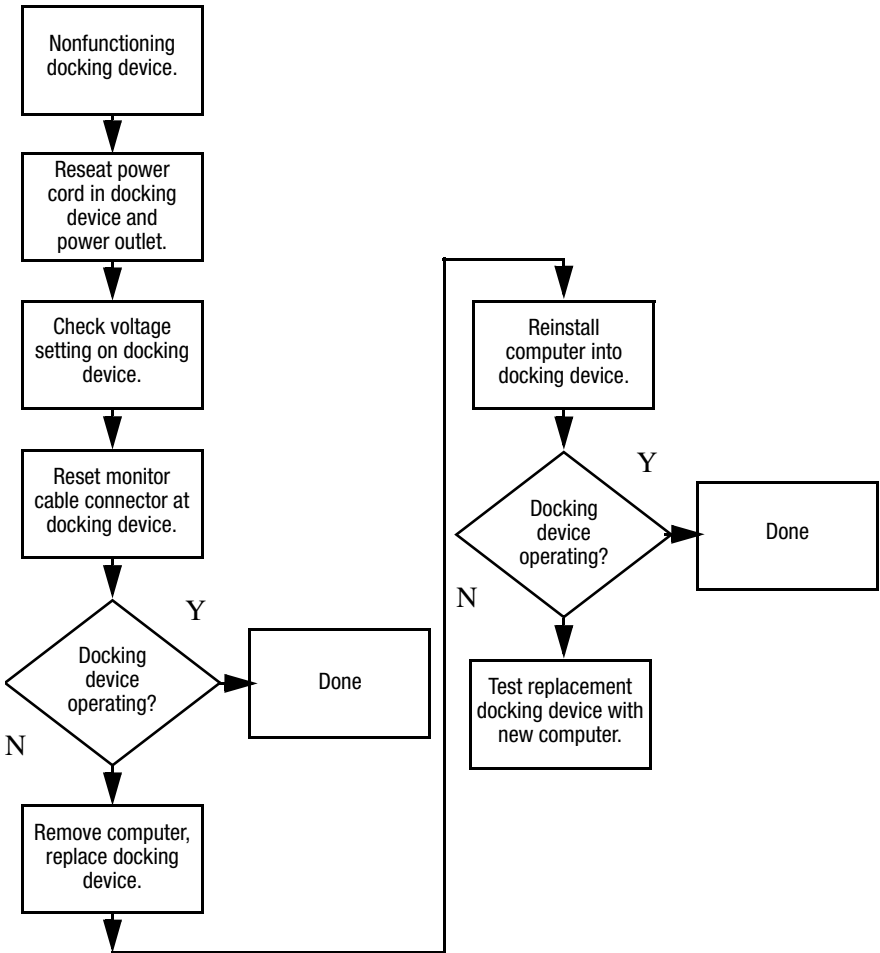
Flowchart 2.6—No Video, Part 1



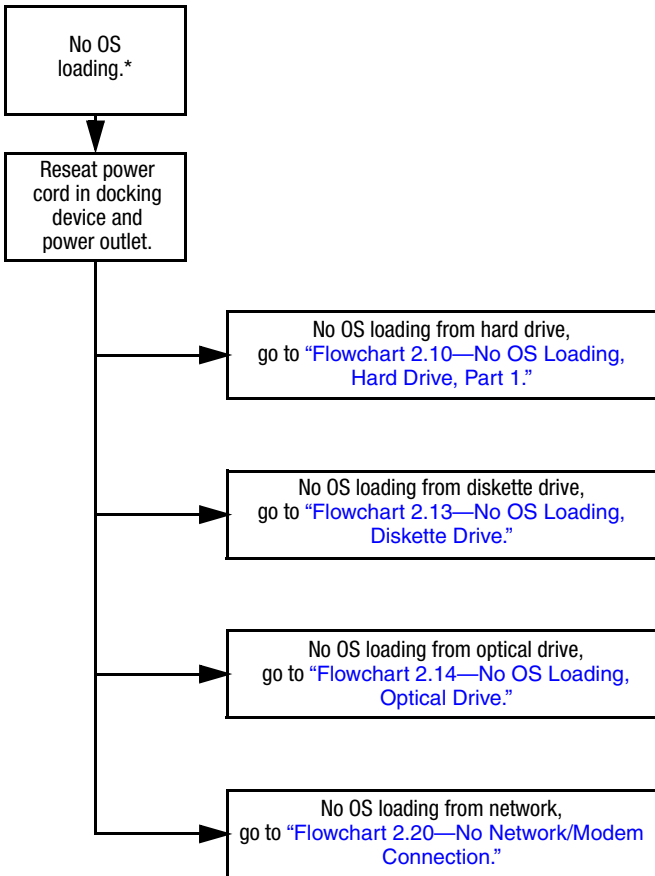
Flowchart 2.7—No Video, Part 2



Flowchart 2.8—Nonfunctioning Docking Device (if applicable)

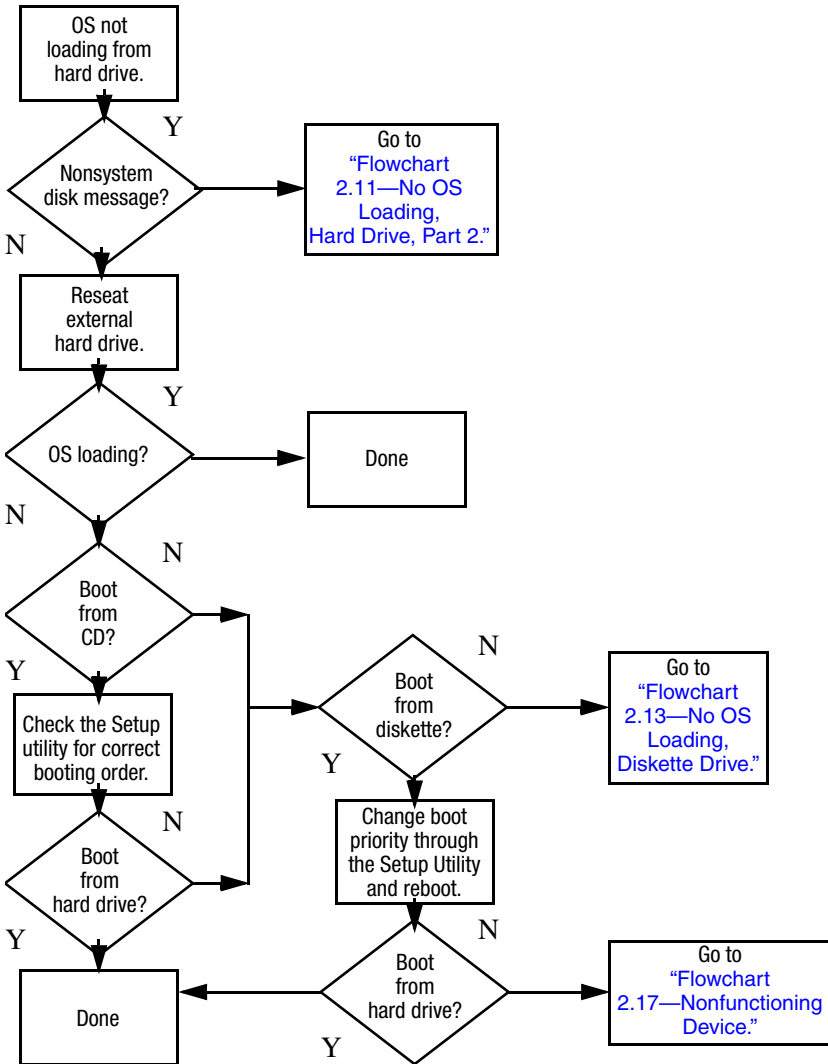


Flowchart 2.9—No Operating System (OS) Loading

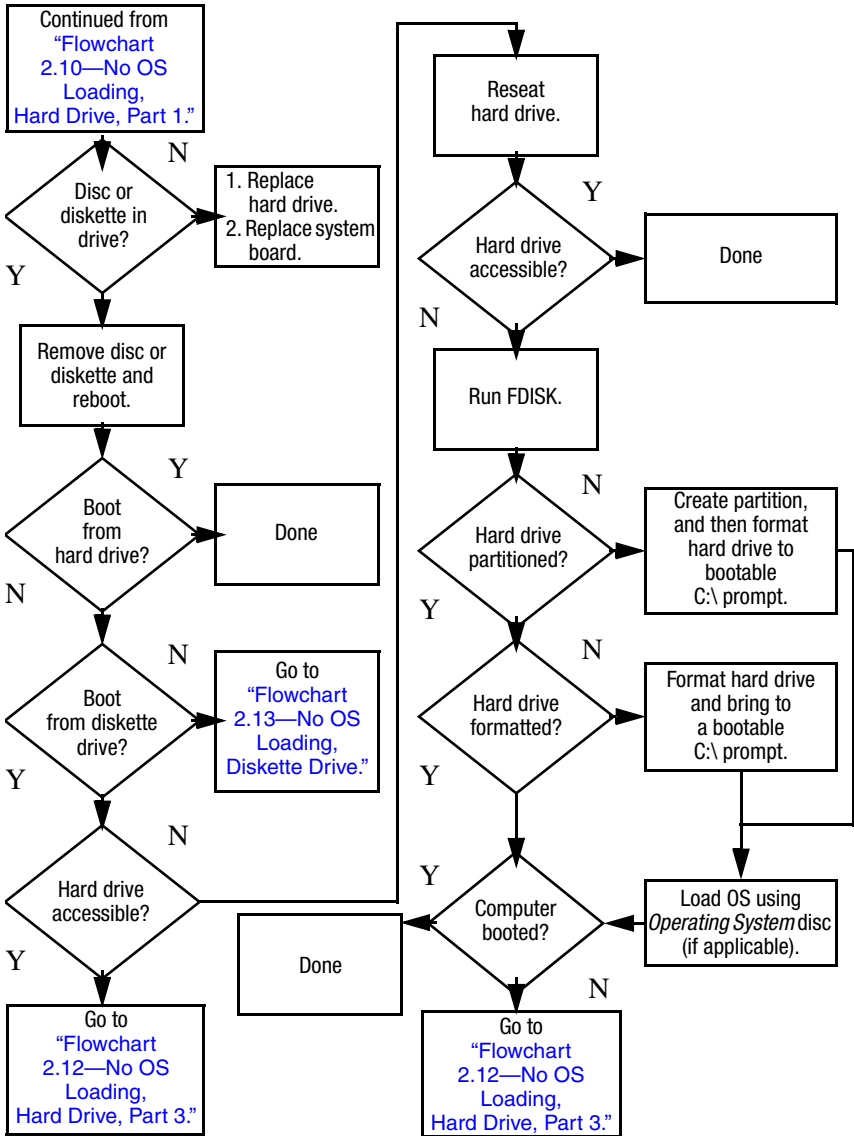


*NOTE: Before beginning troubleshooting, always check cable connections, cable ends, and drives for bent or damaged pins.

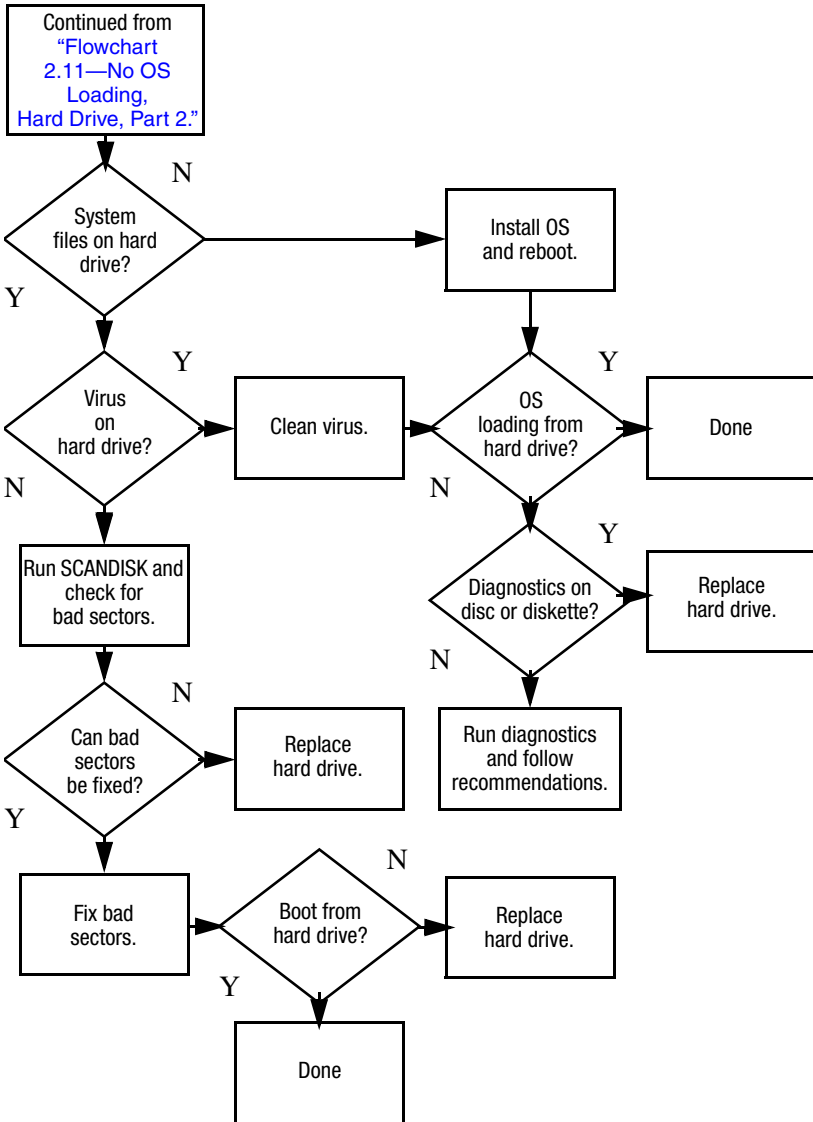
Flowchart 2.10—No OS Loading, Hard Drive, Part 1



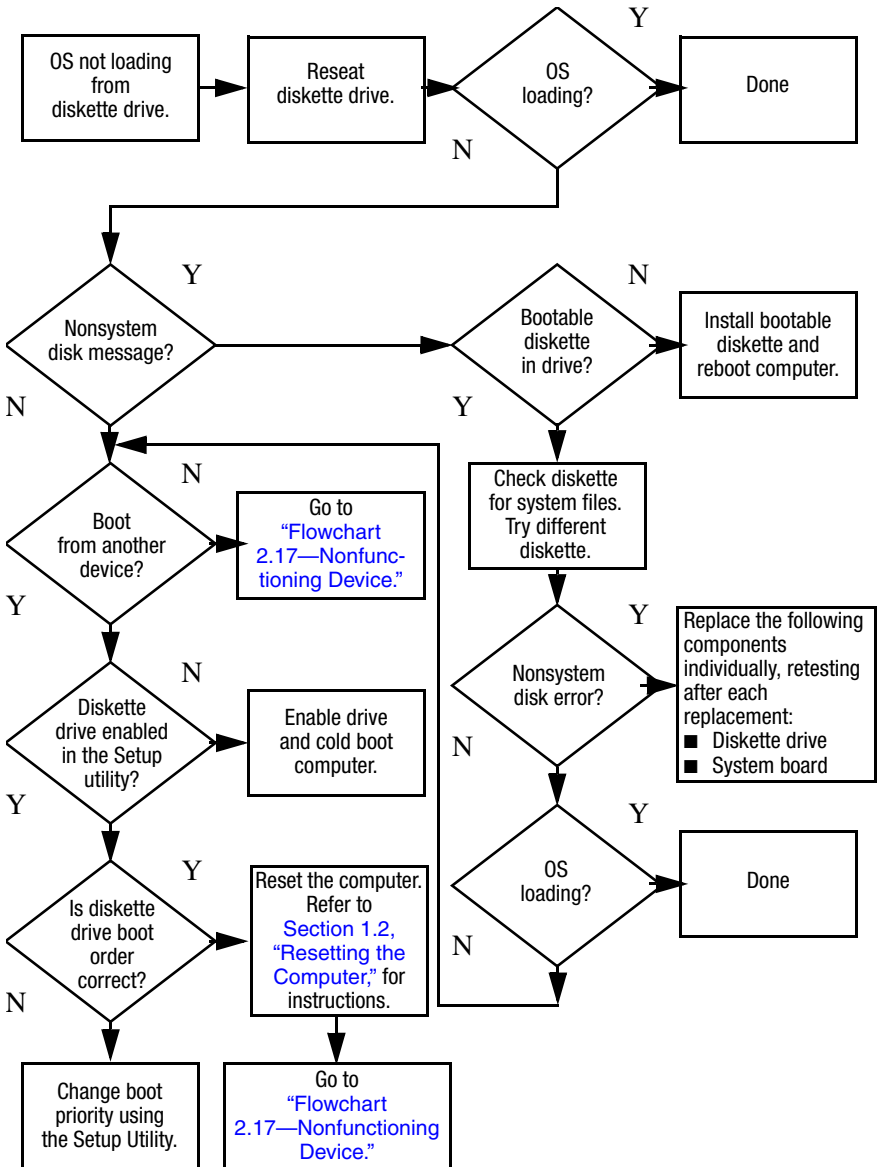
Flowchart 2.11 – No OS Loading, Hard Drive, Part 2



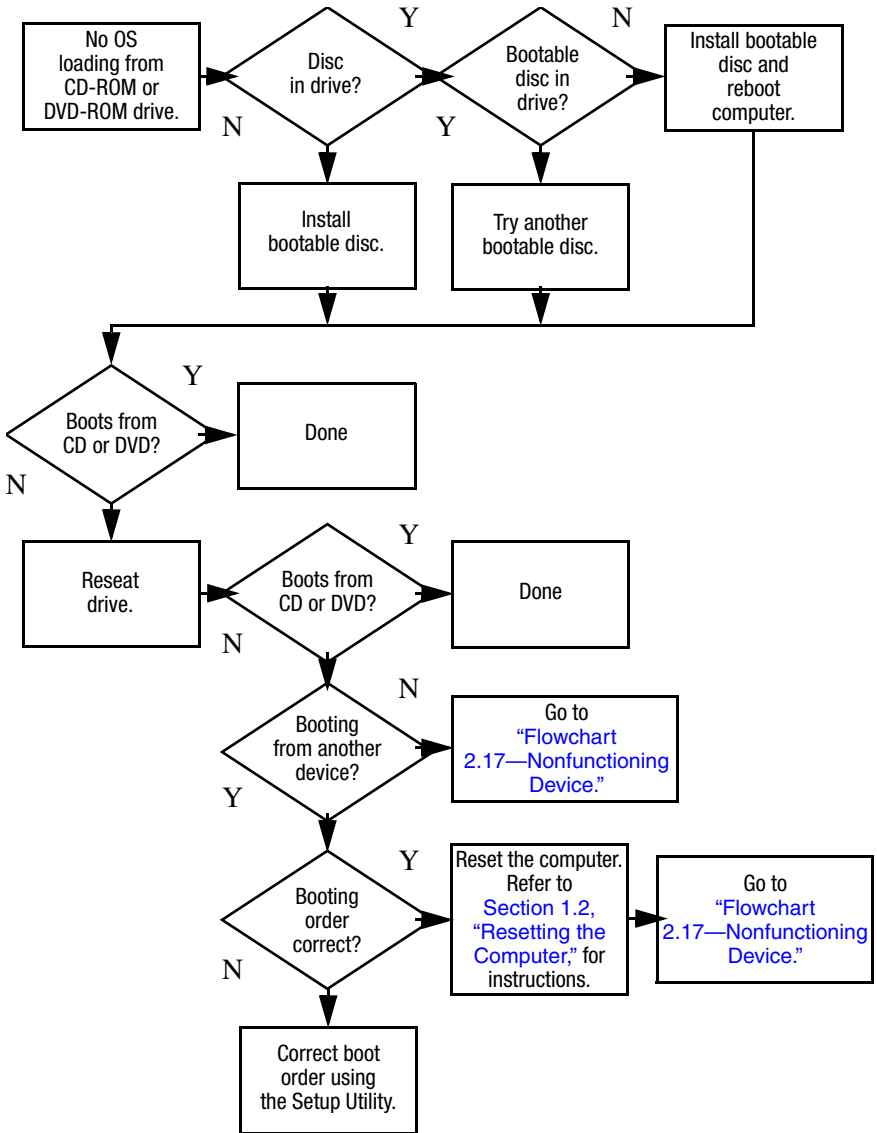
Flowchart 2.12—No OS Loading, Hard Drive, Part 3



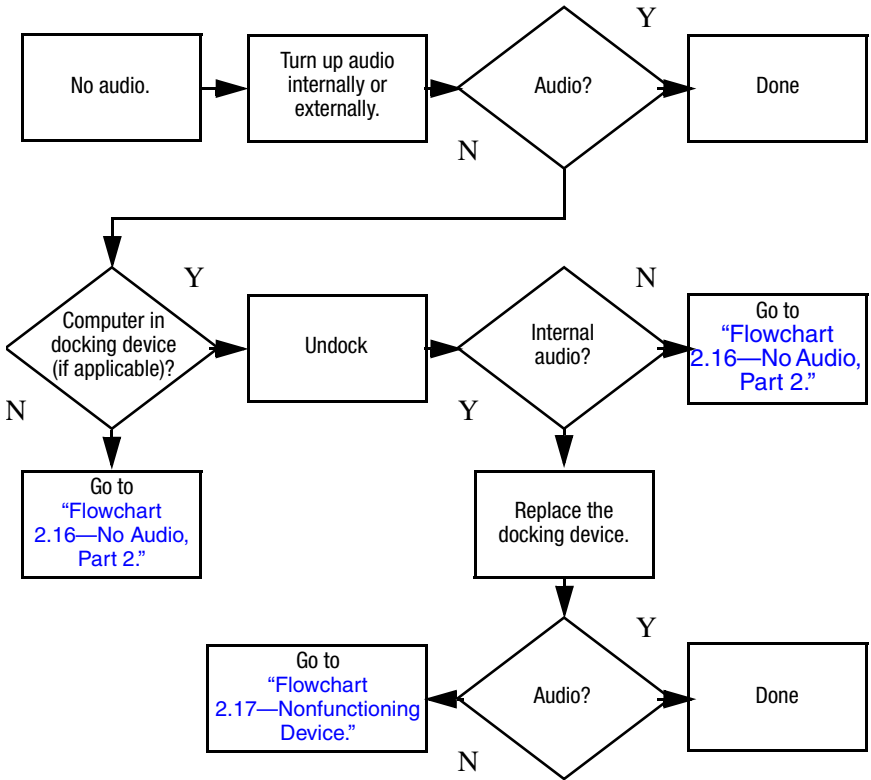
Flowchart 2.13—No OS Loading, Diskette Drive



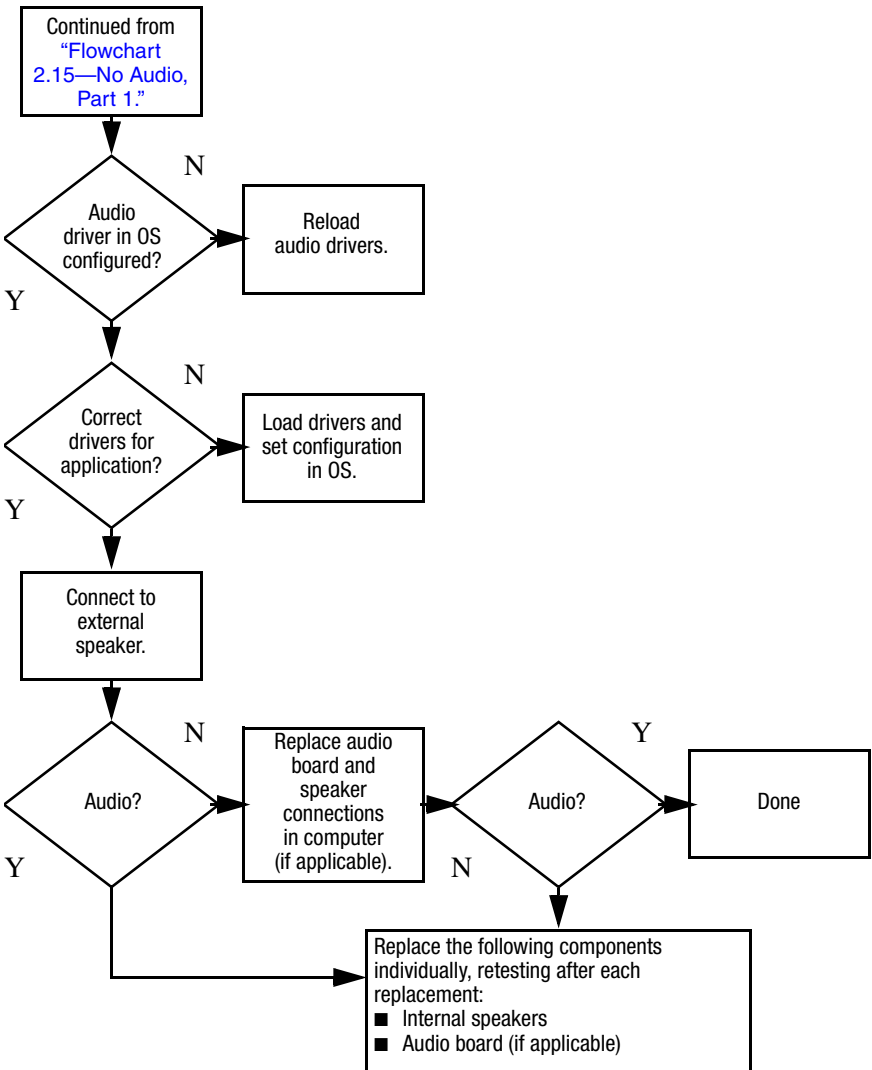
Flowchart 2.14—No OS Loading, Optical Drive



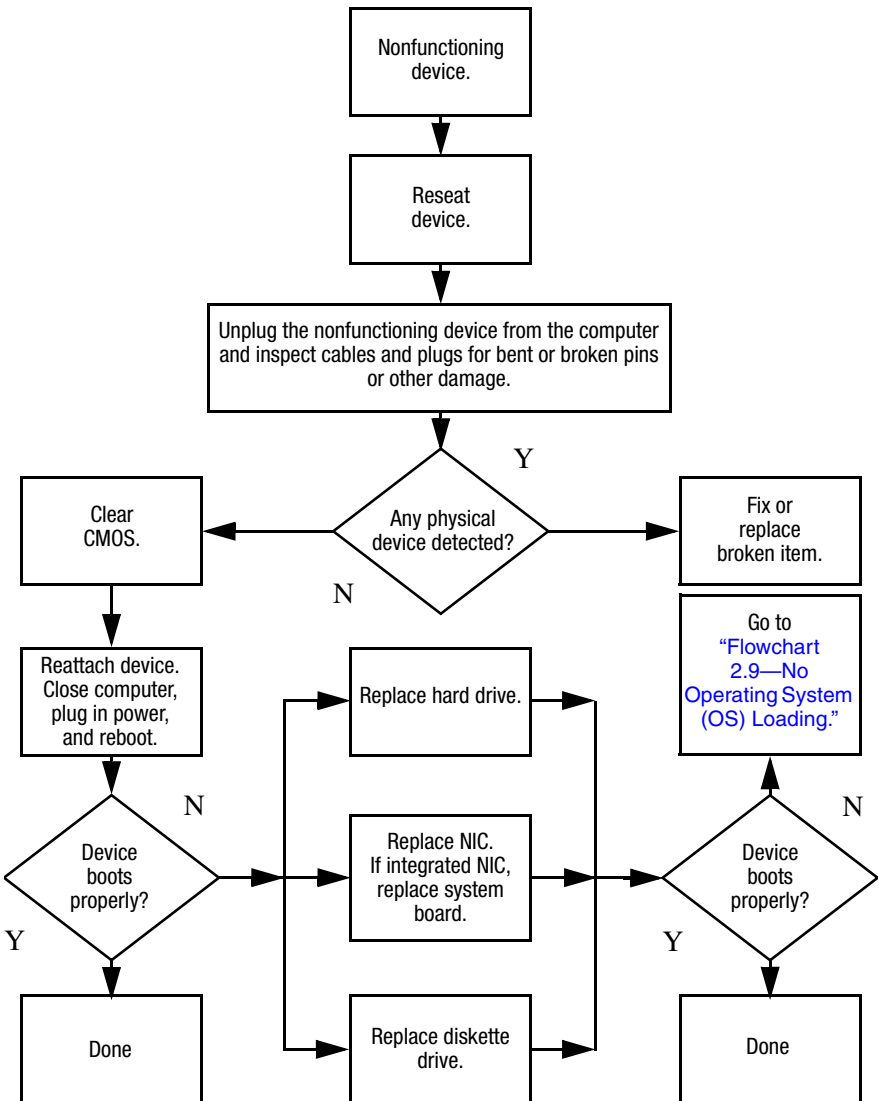
Flowchart 2.15—No Audio, Part 1



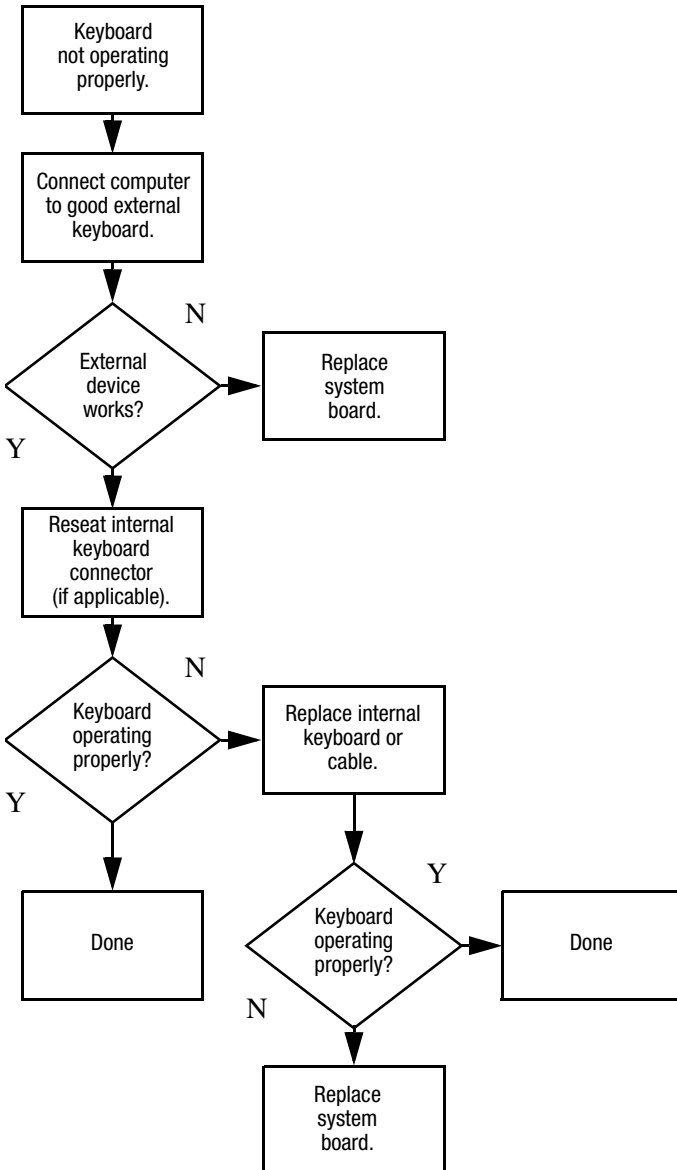
Flowchart 2.16—No Audio, Part 2



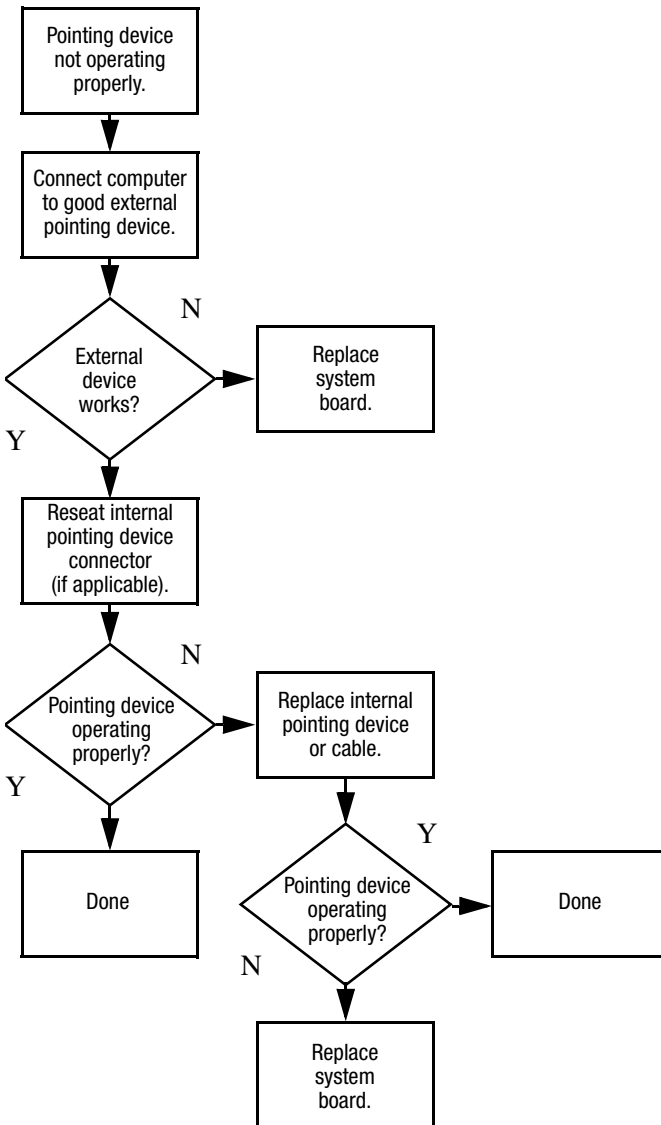
Flowchart 2.17—Nonfunctioning Device



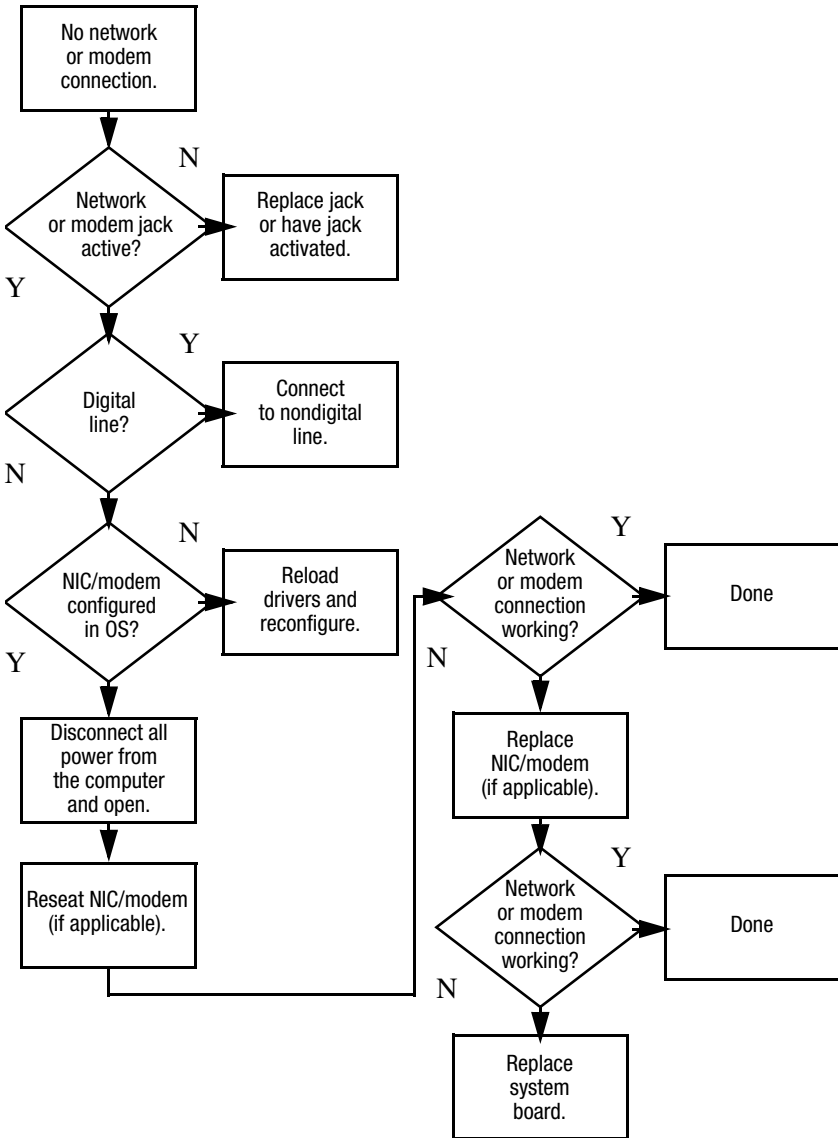
Flowchart 2.18—Nonfunctioning Keyboard



Flowchart 2.19—Nonfunctioning Pointing Device



Flowchart 2.20—No Network/Modem Connection



3

Illustrated Parts Catalog

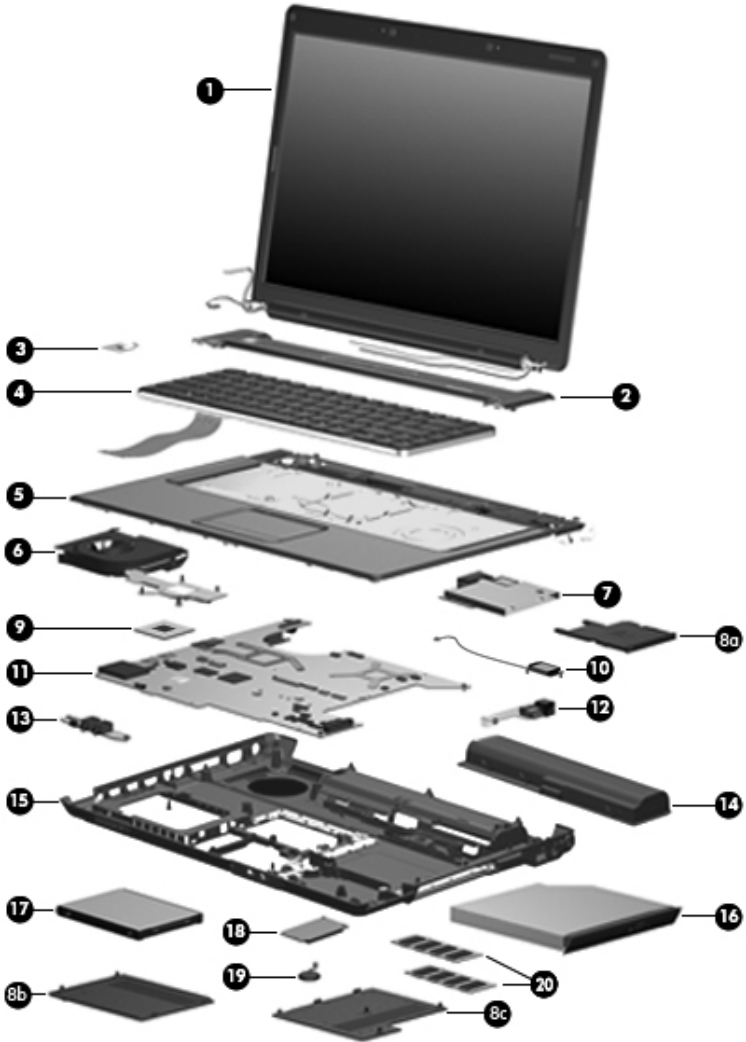
This chapter provides an illustrated parts breakdown and a reference for spare part numbers and option part numbers.

3.1 Serial Number Location

When ordering parts or requesting information, provide the computer serial number and model number located on the bottom of the computer.




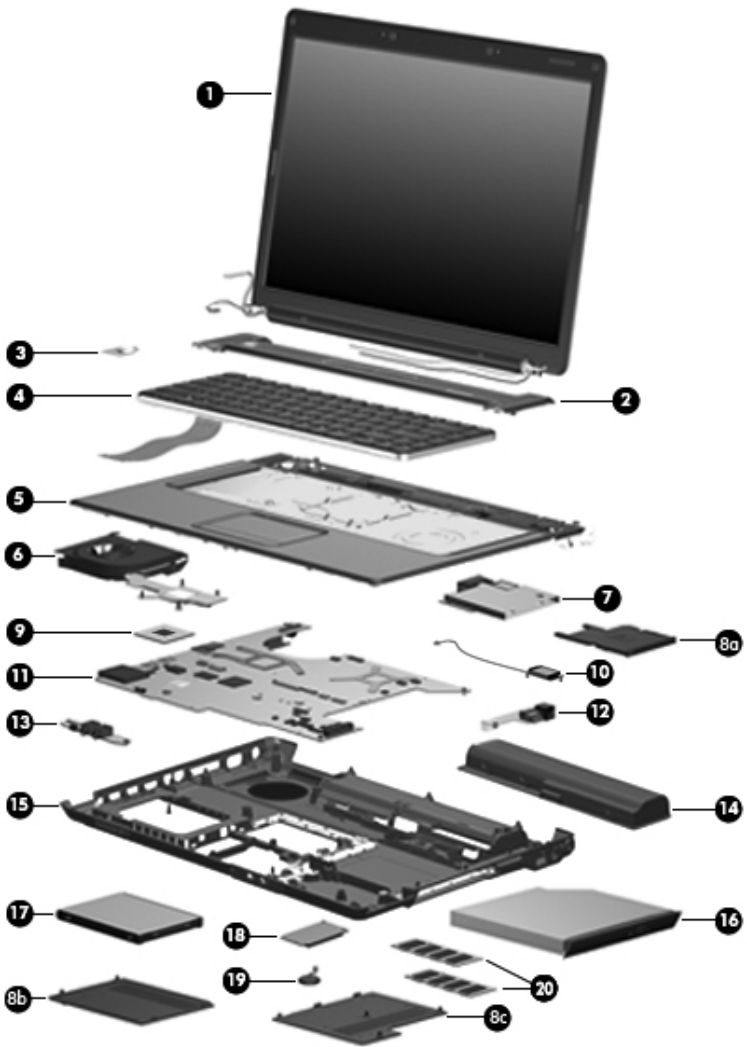
3.2 Computer Major Components



Computer Major Components

Table 3-1
Spare Parts: Computer Major Components

Item	Description	Spare Part Number																
1	<p>Display assemblies (include wireless antenna transceivers and cables)</p> <p>For use with full-featured computer models (includes microphones)</p> <p>15.4-inch, WXGA, TFT with BrightView</p> <p>15.4-inch, WXGA, TFT Antiglare</p> <hr/> <p>For use with defeatured computer models (does not include microphones)</p> <p>15.4-inch, WXGA, TFT with BrightView</p> <p>15.4-inch, WXGA, TFT Antiglare</p> <hr/> <p> Refer to Section 3.3, "Display Assembly Components," for display assembly internal component spare part number information.</p>	<p>432304-001</p> <p>432305-001</p> <hr/> <p>432302-001</p> <p>432303-001</p>																
2	<p>Switch covers (include LED board and LED board cable)</p> <p>For use with full-featured computer models</p> <p>For use with defeatured computer models</p>	<p>431425-001</p> <p>431424-001</p>																
3	<p>Power button board (includes power button board cable)</p>	<p>431438-001</p>																
4	<p>Keyboards</p> <p>For use with all computer models in the following countries or regions:</p> <table style="width: 100%; border: none;"> <tr> <td style="width: 33%;">France</td> <td style="width: 33%;">441428-051</td> <td style="width: 33%;">Spain</td> <td style="width: 33%;">441428-071</td> </tr> <tr> <td>French Canada</td> <td>441428-121</td> <td>The United Kingdom</td> <td>441428-031</td> </tr> <tr> <td>Italy</td> <td>441428-061</td> <td>The United States</td> <td>441428-001</td> </tr> <tr> <td>The Netherlands</td> <td>441428-331</td> <td></td> <td></td> </tr> </table>	France	441428-051	Spain	441428-071	French Canada	441428-121	The United Kingdom	441428-031	Italy	441428-061	The United States	441428-001	The Netherlands	441428-331			
France	441428-051	Spain	441428-071															
French Canada	441428-121	The United Kingdom	441428-031															
Italy	441428-061	The United States	441428-001															
The Netherlands	441428-331																	



Computer Major Components

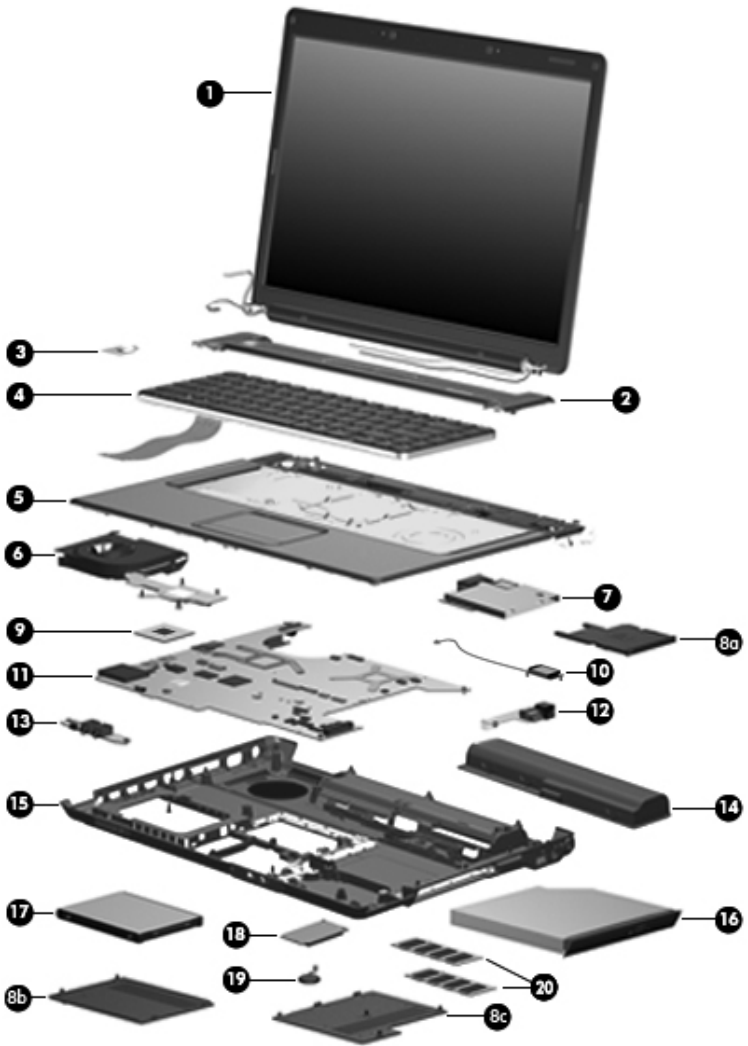
Table 3-1**Spare Parts: Computer Major Components (Continued)**

Item	Description	Spare Part Number
4	Keyboards (Continued)	
	For use only with computer models using Intel processors in the following countries or regions:	
	Latin America 441428-161 Taiwan	441428-AB1
	Saudi Arabia 441428-171 Thailand	441428-281
	For use only with computer models using AMD processors in the following countries or regions:	
	Denmark, 441428-DH1 Korea	441428-AD1
	Finland, Norway, and Sweden	
	For UK OTC ID only	443689-001
5	Top covers (include speakers, TouchPad and TouchPad cable)	
	For use with full-featured computer models	438186-001
	For use with defeatured computer models	438187-001
6	Fan/heat sink assemblies (include thermal pads)	
	For use only with computer models using Intel processors	434746-001
	For use only with computer models using AMD processors	431450-001
7	ExpressCard assembly	431440-001

Table 3-1

Spare Parts: Computer Major Components (Continued)

Item	Description	Spare Part Number
	Plastics Kit	438469-001
	Includes:	
8a	ExpressCard slot bezel	
8b	Hard drive cover (includes 2 captive screws, secured by C-clips)	
8c	Memory module compartment cover (includes 3 captive screws, secured by C-clips)	
9	Processors (include thermal pad)	
	Intel Core Duo T7200 (2.00-GHz)	434730-001
	Intel Core Duo T1350 (1.86-GHz)	430896-001
	Intel Core Duo T5600 (1.83-GHz)	434731-001
	Intel Core Duo T2350 (1.60-GHz), for V6200 models	441762-001
	Intel Core Duo T2250 (1.73-GHz)	430897-001
	Intel Core Duo T5500 (1.66-GHz)	436157-001
	Intel Core Duo T5200 (1.66-GHz), for V6200 models	436900-001
	Intel Core Duo T2060 (1.60-GHz), for V6200 models	441763-001
	Intel Core Duo T2050 (1.60-GHz)	430898-001
	Intel Celeron 440 (1.86-GHz), for V6200 models	441761-001
	Intel Celeron 430 (1.73-GHz)	436159-001
	Intel Celeron 420 (1.60-GHz)	434735-001
	AMD Turion ML-60 (2.0-GHz)	436257-001
	AMD Turion ML-56 (1.8-GHz)	431373-001
	AMD Turion ML-52 (1.6-GHz)	431372-001
	AMD Turion ML-50 (1.6-GHz)	431371-001
	Mobile AMD Sempron 3500+ (1.8-GHz)	434414-001
	Mobile AMD Sempron 3400+ (1.8-GHz)	431375-001
	Mobile AMD Sempron 3200+ (1.6-GHz)	431374-001

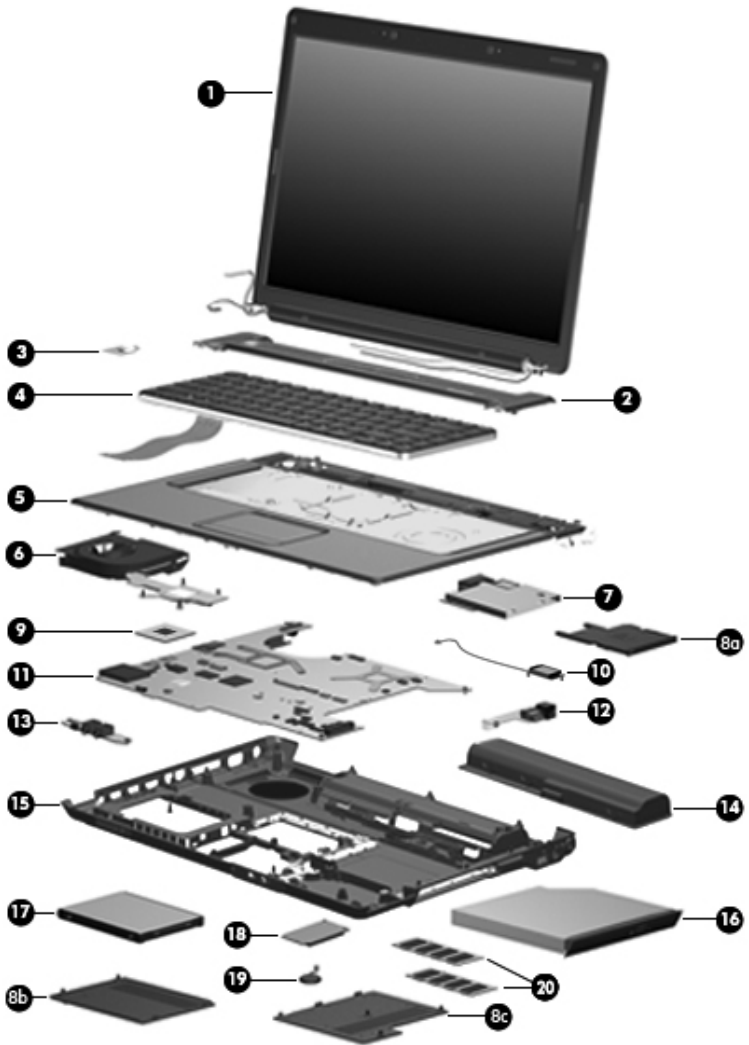


Computer Major Components

Table 3-1

Spare Parts: Computer Major Components (Continued)

Item	Description	Spare Part Number
10	Bluetooth module (includes Bluetooth module cable)	412766-001
11	System boards	
	945GM, for use only with full-featured computer models using Intel processors	434725-001
	940GML, for use only with defeatured computer models using Intel processors	434726-001
	943GM - for use only with defeatured models	444479-001
	945PM - for Germany only	441677-001
	For use only with full-featured computer models using AMD processors	431364-001
	For use only with defeatured computer models using AMD processors	431365-001
12	USB/power connector boards (include USB/power connector board cable)	
	For use with 90-W AC adapters	431446-001
	For use with 65-W AC adapters	431445-001
13	Audio boards	
	For use with full-featured computer models (includes infrared lens)	431443-001
	For use with defeatured computer models (does not include infrared lens)	431444-001
14	Batteries	
	12-cell, 8.8-Ahr	432307-001
	6-cell, 4.0-Ahr	432306-001

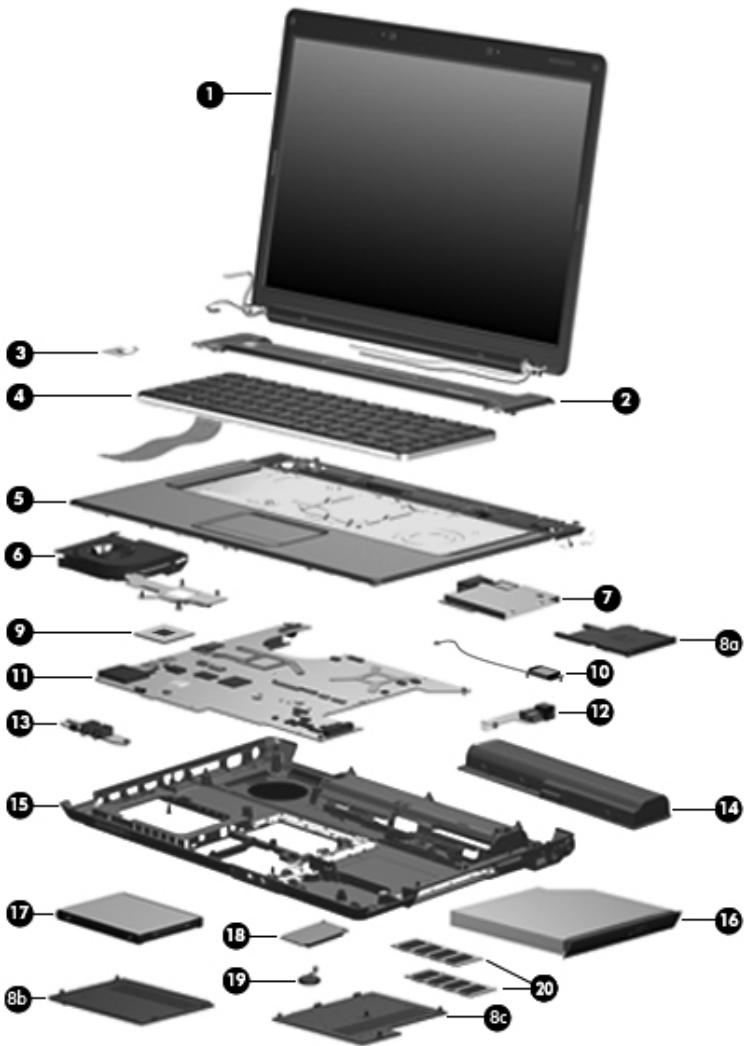


Computer Major Components

Table 3-1

Spare Parts: Computer Major Components (Continued)

Item	Description	Spare Part Number
15	Base enclosures (include wireless switch)	
	For use with full-featured computer models	431427-001
	For use with defeatured computer models	438316-001
16	Optical drives (include bezel)	
	DVD±RW/R and CD-RW Double-Layer Combo Drive with LightScribe	431413-001
	DVD±RW/R and CD-RW Double-Layer Combo Drive	431412-001
	DVD/CD-RW Combo Drive	431411-001
17	Hard drives (all 5400-rpm, include bracket and connector)	
	For use with all computer models:	
	200-GB (4200-rpm)	441424-001
	160-GB (5400-rpm)	438485-001
	120-GB	431407-001
	100-GB	431406-001
	80-GB	431405-001
	60-GB	431404-001
	40-GB hard drive for use only with computer models using Intel processors	434743-001
	40-GB hard drive for use only with computer models using AMD processors	434415-001

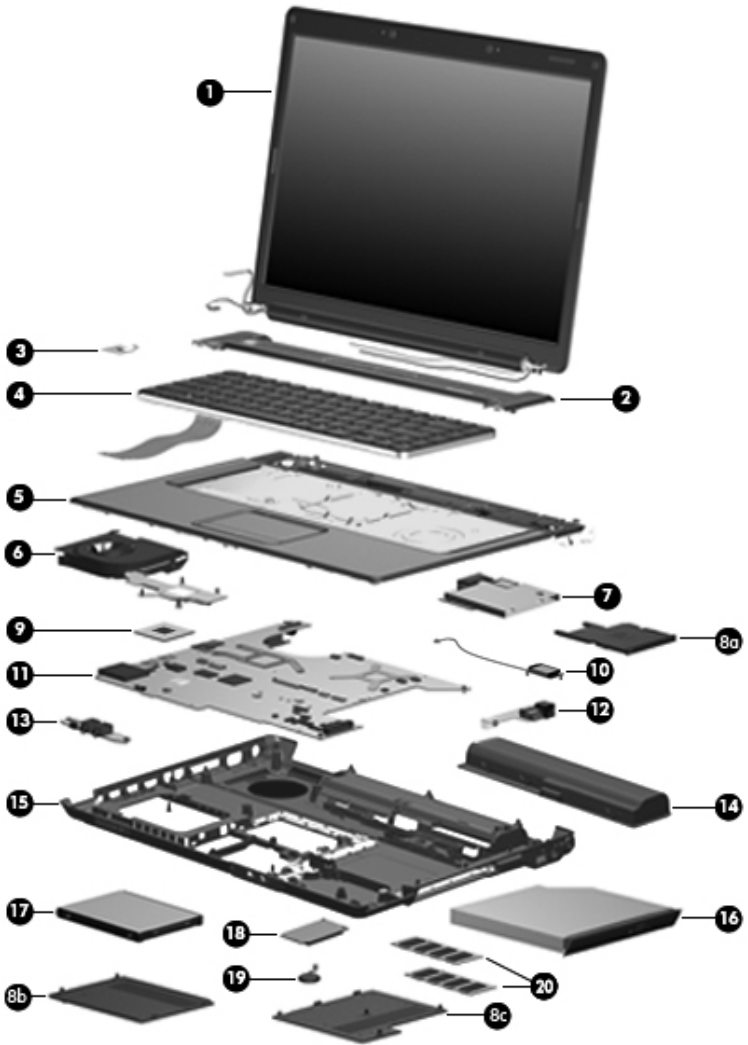


Computer Major Components

Table 3-1

Spare Parts: Computer Major Components (Continued)

Item	Description	Spare Part Number																																																								
18	Mini Card modules																																																									
	802.11a/b/g WLAN Mini Card module for use only with computer models using Intel processors in the countries or regions listed below. These countries or regions are categorized as most of the world 1 (MOW1).	407674-001																																																								
	<table border="0"> <tr> <td>Antigua & Barbuda</td> <td>Canada</td> <td>Panama</td> <td>Paraguay</td> </tr> <tr> <td>Argentina</td> <td>Chile</td> <td>India</td> <td>Saudi Arabia</td> </tr> <tr> <td>Australia</td> <td>Dominican Republic</td> <td>Indonesia</td> <td>Taiwan</td> </tr> <tr> <td>Bahamas</td> <td>Guam</td> <td>Malaysia</td> <td>The United States</td> </tr> <tr> <td>Barbados</td> <td>Guatemala</td> <td>Mexico</td> <td>Vietnam</td> </tr> <tr> <td>Brunei</td> <td>Hong Kong</td> <td>New Zealand</td> <td></td> </tr> </table>	Antigua & Barbuda	Canada	Panama	Paraguay	Argentina	Chile	India	Saudi Arabia	Australia	Dominican Republic	Indonesia	Taiwan	Bahamas	Guam	Malaysia	The United States	Barbados	Guatemala	Mexico	Vietnam	Brunei	Hong Kong	New Zealand																																		
Antigua & Barbuda	Canada	Panama	Paraguay																																																							
Argentina	Chile	India	Saudi Arabia																																																							
Australia	Dominican Republic	Indonesia	Taiwan																																																							
Bahamas	Guam	Malaysia	The United States																																																							
Barbados	Guatemala	Mexico	Vietnam																																																							
Brunei	Hong Kong	New Zealand																																																								
	802.11a/b/g WLAN Mini Card module for use only with computer models using Intel processors in the countries or regions listed below. These countries or regions are categorized as most of the world 2 (MOW2).	407674-002																																																								
	<table border="0"> <tr> <td>Aruba</td> <td>Egypt</td> <td>The Philippines</td> <td>The Netherlands</td> </tr> <tr> <td>Austria</td> <td>El Salvador</td> <td>Poland</td> <td>Norway</td> </tr> <tr> <td>Azerbaijan</td> <td>Estonia</td> <td>Portugal</td> <td>Oman</td> </tr> <tr> <td>Bahrain</td> <td>Finland</td> <td>Romania</td> <td>Slovenia</td> </tr> <tr> <td>Belgium</td> <td>France</td> <td>Russia</td> <td>South Africa</td> </tr> <tr> <td>Bermuda</td> <td>Georgia</td> <td>Serbia and Montenegro</td> <td>Spain</td> </tr> <tr> <td>Bulgaria</td> <td>Germany</td> <td>Singapore</td> <td>Sri Lanka</td> </tr> <tr> <td>Cayman Islands</td> <td>Greece</td> <td>Slovakia</td> <td>Sweden</td> </tr> <tr> <td>Columbia</td> <td>Hungary</td> <td>Liechtenstein</td> <td>Switzerland</td> </tr> <tr> <td>Croatia</td> <td>Iceland</td> <td>Lithuania</td> <td>Turkey</td> </tr> <tr> <td>Cyprus</td> <td>Ireland</td> <td>Luxembourg</td> <td>The United Kingdom</td> </tr> <tr> <td>The Czech Republic</td> <td>Italy</td> <td>Malta</td> <td>Uzbekistan</td> </tr> <tr> <td>Denmark</td> <td>Latvia</td> <td>Monaco</td> <td></td> </tr> <tr> <td></td> <td>Lebanon</td> <td></td> <td></td> </tr> </table>	Aruba	Egypt	The Philippines	The Netherlands	Austria	El Salvador	Poland	Norway	Azerbaijan	Estonia	Portugal	Oman	Bahrain	Finland	Romania	Slovenia	Belgium	France	Russia	South Africa	Bermuda	Georgia	Serbia and Montenegro	Spain	Bulgaria	Germany	Singapore	Sri Lanka	Cayman Islands	Greece	Slovakia	Sweden	Columbia	Hungary	Liechtenstein	Switzerland	Croatia	Iceland	Lithuania	Turkey	Cyprus	Ireland	Luxembourg	The United Kingdom	The Czech Republic	Italy	Malta	Uzbekistan	Denmark	Latvia	Monaco			Lebanon			
Aruba	Egypt	The Philippines	The Netherlands																																																							
Austria	El Salvador	Poland	Norway																																																							
Azerbaijan	Estonia	Portugal	Oman																																																							
Bahrain	Finland	Romania	Slovenia																																																							
Belgium	France	Russia	South Africa																																																							
Bermuda	Georgia	Serbia and Montenegro	Spain																																																							
Bulgaria	Germany	Singapore	Sri Lanka																																																							
Cayman Islands	Greece	Slovakia	Sweden																																																							
Columbia	Hungary	Liechtenstein	Switzerland																																																							
Croatia	Iceland	Lithuania	Turkey																																																							
Cyprus	Ireland	Luxembourg	The United Kingdom																																																							
The Czech Republic	Italy	Malta	Uzbekistan																																																							
Denmark	Latvia	Monaco																																																								
	Lebanon																																																									

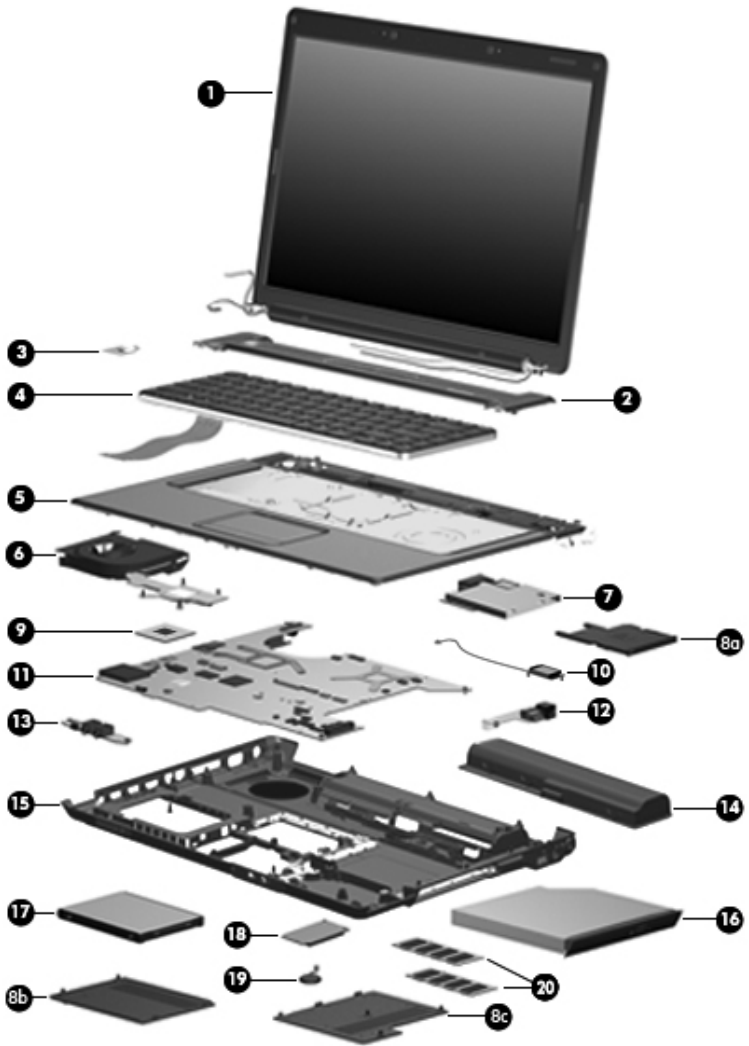


Computer Major Components

Table 3-1

Spare Parts: Computer Major Components (Continued)

Item	Description	Spare Part Number
18	Mini Card modules (Continued)	
	802.11a/b/g WLAN Mini Card module for use only with computer models using Intel processors in the countries or regions listed below. These countries or regions are categorized as the rest of the world (ROW).	407674-003
	China Ecuador Haiti	Honduras Pakistan Peru
	Qatar South Korea	Uruguay Venezuela
	802.11b/g WLAN Mini Card module for use in Costa Rica, Israel, Kuwait, Thailand, UAE, Ukraine.	407674-004
	802.11a/b/g WLAN Mini Card module for use only with computer models using Intel processors in Japan	407674-291

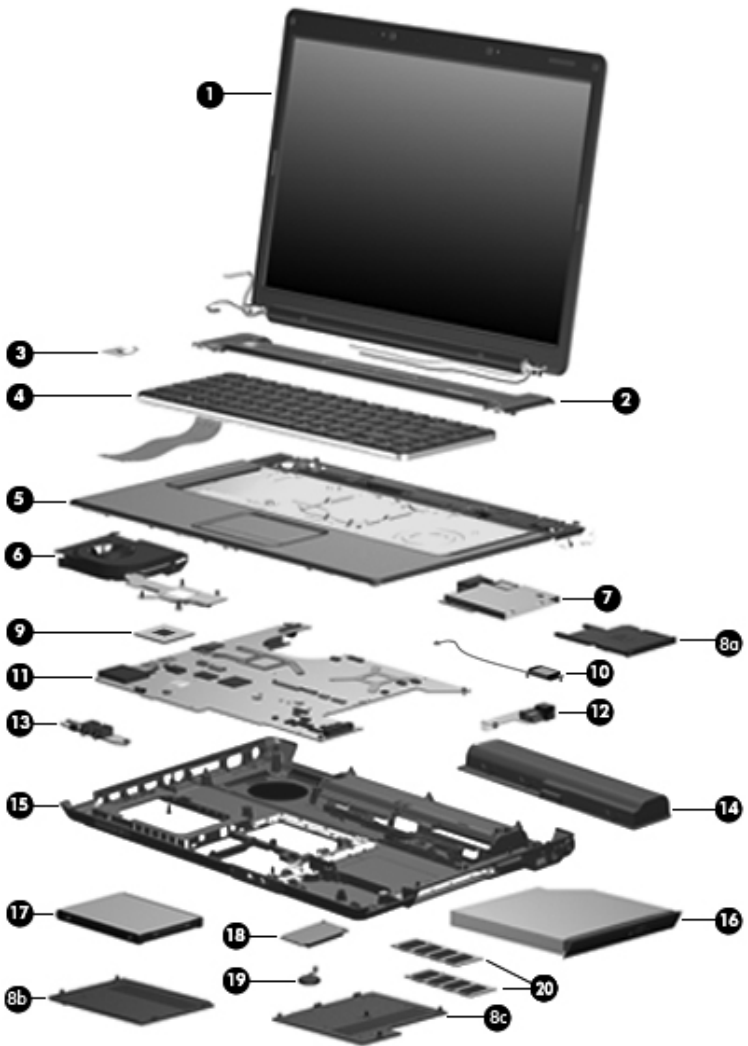


Computer Major Components

Table 3-1

Spare Parts: Computer Major Components (Continued)

Item	Description	Spare Part Number																																																																																
18	Mini Card modules (Continued)																																																																																	
	802.11a/b/g WLAN Mini Card module for use only with computer models using AMD processors in the MOW countries or regions listed below:	407160-001																																																																																
	<table border="0"> <tr> <td>Antigua & Barbuda</td> <td>Cyprus</td> <td>Italy</td> <td>Russia</td> </tr> <tr> <td>Argentina</td> <td>Denmark</td> <td>Latvia</td> <td>Saudi Arabia</td> </tr> <tr> <td>Aruba</td> <td>Dominican Republic</td> <td>Lebanon</td> <td>Serbia and Montenegro</td> </tr> <tr> <td>Australia</td> <td>Egypt</td> <td>Liechtenstein</td> <td>Singapore</td> </tr> <tr> <td>Austria</td> <td>El Salvador</td> <td>Lithuania</td> <td>Slovakia</td> </tr> <tr> <td>Azerbaijan</td> <td>Estonia</td> <td>Luxembourg</td> <td>Slovenia</td> </tr> <tr> <td>Bahamas</td> <td>Finland</td> <td>Malaysia</td> <td>South Africa</td> </tr> <tr> <td>Bahrain</td> <td>France</td> <td>Malta</td> <td>Spain</td> </tr> <tr> <td>Barbados</td> <td>Georgia</td> <td>Mexico</td> <td>Sweden</td> </tr> <tr> <td>Belgium</td> <td>Germany</td> <td>Monaco</td> <td>Sri Lanka</td> </tr> <tr> <td>Bermuda</td> <td>Greece</td> <td>The Netherlands</td> <td>Switzerland</td> </tr> <tr> <td>Brunei</td> <td>Guam</td> <td>New Zealand</td> <td>Taiwan</td> </tr> <tr> <td>Bulgaria</td> <td>Guatemala</td> <td>Norway</td> <td>Turkey</td> </tr> <tr> <td>Canada</td> <td>Hong Kong</td> <td>Oman</td> <td>United Kingdom</td> </tr> <tr> <td>Cayman Islands</td> <td>Hungary</td> <td>Panama</td> <td>United States</td> </tr> <tr> <td>Czech Republic</td> <td>Iceland</td> <td>Paraguay</td> <td>Uzbekistan</td> </tr> <tr> <td>Chile</td> <td>India</td> <td>The Philippines</td> <td>Vietnam</td> </tr> <tr> <td>Columbia</td> <td>Indonesia</td> <td>Poland</td> <td></td> </tr> <tr> <td>Croatia</td> <td>Ireland</td> <td>Portugal</td> <td></td> </tr> <tr> <td></td> <td></td> <td>Romania</td> <td></td> </tr> </table>	Antigua & Barbuda	Cyprus	Italy	Russia	Argentina	Denmark	Latvia	Saudi Arabia	Aruba	Dominican Republic	Lebanon	Serbia and Montenegro	Australia	Egypt	Liechtenstein	Singapore	Austria	El Salvador	Lithuania	Slovakia	Azerbaijan	Estonia	Luxembourg	Slovenia	Bahamas	Finland	Malaysia	South Africa	Bahrain	France	Malta	Spain	Barbados	Georgia	Mexico	Sweden	Belgium	Germany	Monaco	Sri Lanka	Bermuda	Greece	The Netherlands	Switzerland	Brunei	Guam	New Zealand	Taiwan	Bulgaria	Guatemala	Norway	Turkey	Canada	Hong Kong	Oman	United Kingdom	Cayman Islands	Hungary	Panama	United States	Czech Republic	Iceland	Paraguay	Uzbekistan	Chile	India	The Philippines	Vietnam	Columbia	Indonesia	Poland		Croatia	Ireland	Portugal				Romania		
Antigua & Barbuda	Cyprus	Italy	Russia																																																																															
Argentina	Denmark	Latvia	Saudi Arabia																																																																															
Aruba	Dominican Republic	Lebanon	Serbia and Montenegro																																																																															
Australia	Egypt	Liechtenstein	Singapore																																																																															
Austria	El Salvador	Lithuania	Slovakia																																																																															
Azerbaijan	Estonia	Luxembourg	Slovenia																																																																															
Bahamas	Finland	Malaysia	South Africa																																																																															
Bahrain	France	Malta	Spain																																																																															
Barbados	Georgia	Mexico	Sweden																																																																															
Belgium	Germany	Monaco	Sri Lanka																																																																															
Bermuda	Greece	The Netherlands	Switzerland																																																																															
Brunei	Guam	New Zealand	Taiwan																																																																															
Bulgaria	Guatemala	Norway	Turkey																																																																															
Canada	Hong Kong	Oman	United Kingdom																																																																															
Cayman Islands	Hungary	Panama	United States																																																																															
Czech Republic	Iceland	Paraguay	Uzbekistan																																																																															
Chile	India	The Philippines	Vietnam																																																																															
Columbia	Indonesia	Poland																																																																																
Croatia	Ireland	Portugal																																																																																
		Romania																																																																																

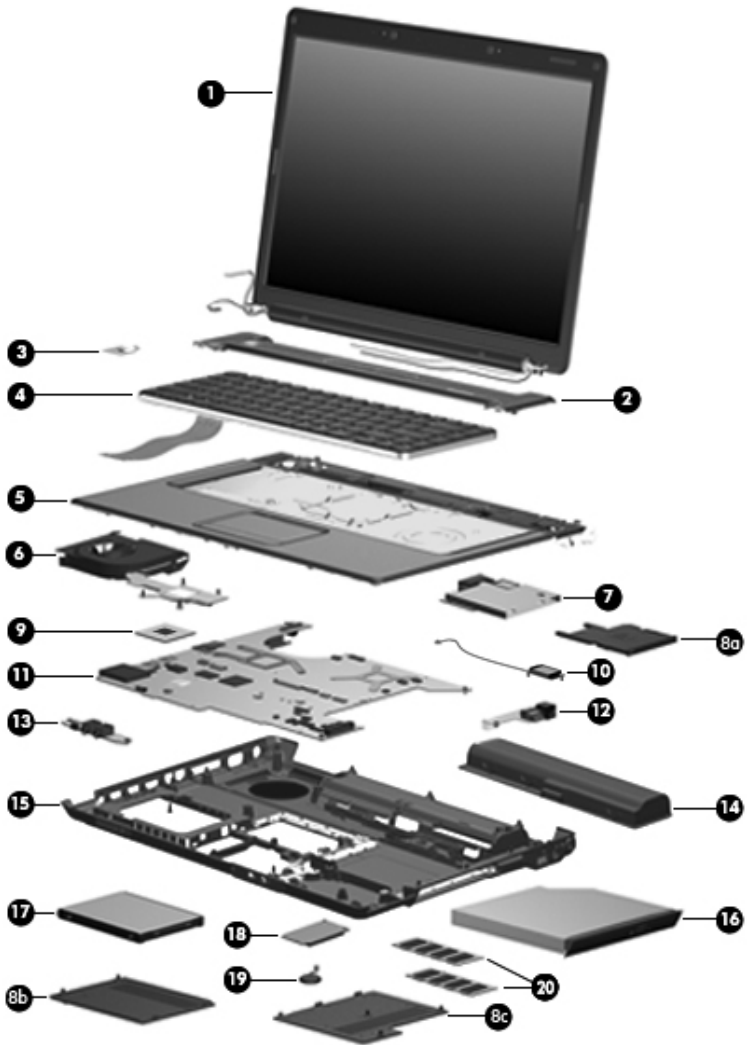


Computer Major Components

Table 3-1

Spare Parts: Computer Major Components (Continued)

Item	Description	Spare Part Number
18	Mini Card modules (Continued)	
	802.11a/b/g WLAN Mini Card module for use only with computer models using AMD processors in the ROW countries or regions listed below:	407160-002
	China Honduras Qatar	Uruguay
	Ecuador Pakistan South Korea	Venezuela
	Haiti Peru	
	802.11b/g WLAN Mini Card module for use with all computer models in the MOW countries or regions listed below:	407159-001
	Antigua & Barbuda Croatia Ireland	Russia
	Argentina Cyprus Italy	Saudi Arabia
	Aruba Denmark Latvia	Serbia and Montenegro
	Australia The Dominican Republic Liechtenstein	Singapore
	Austria Egypt Lithuania	Slovakia
	Azerbaijan El Salvador Luxembourg	Slovenia
	Bahamas Estonia Malaysia	South Africa
	Bahrain Finland Malta	Spain
	Barbados France Mexico	Sri Lanka
	Belgium Georgia Monaco	Sweden
	Bermuda Germany The Netherlands	Switzerland
	Brunei Greece New Zealand	Taiwan
	Bulgaria Guam Norway	Turkey
	Canada Guatemala Oman	The United Kingdom
	The Cayman Islands Hong Kong Panama	The United States
	The Czech Republic Hungary Paraguay	Uzbekistan
	Chile Iceland The Philippines	Vietnam
	Columbia India Poland	
	Indonesia Portugal Romania	



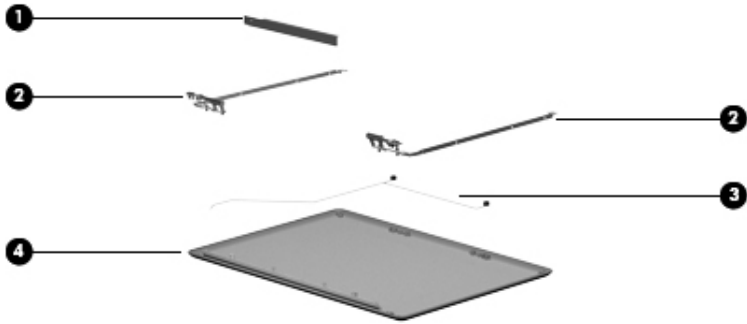
Computer Major Components

Table 3-1

Spare Parts: Computer Major Components (Continued)

Item	Description	Spare Part Number
18	Mini Card modules (Continued)	
	802.11b/g WLAN Mini Card module for use with all computer models in the ROW countries or regions listed below:	407159-002
	China Honduras Qatar	Uruguay
	Ecuador Pakistan South Korea	Venezuela
	Haiti Peru	
	802.11b/g WLAN Mini Card module for use only with computer models using Intel processors in Japan	407159-291
19	RTC battery (includes 2-sided tape)	431436-001
20	Memory modules, PC2-5300, 667-MHz, 1-DIMM	
	For use only with computer models using Intel processors	
	1024-MB	434742-001
	512-MB	434741-001
	256-MB	434740-001
	For use only with computer models using AMD processors	
	1024-MB	431403-001
	512-MB	431402-001
	256-MB	431401-001
	Cable Kit (not illustrated)	434984-001

3.3 Display Assembly Components



Display Assembly Components

Table 3-2
Display Assembly Components
Spare Part Number Information

Item	Description	Spare Part Number
1	Display bezels	
	For use with full-featured computer models (includes microphone openings)	433283-001
	For use with defeatured computer models (does not include microphone openings)	433284-001
2	Display inverter	431391-001

Table 3-2
Display Assembly Components
Spare Part Number Information (Continued)

Item	Description	Spare Part Number
3	Display Hinge Kit (includes left and right display hinges)	433288-001
4	Display panels	
	15.4-inch, WXGA, SVA display panel with BrightView	431386-001
	15.4-inch, WXGA, SVA display panel AntiGlare	431387-001
5	Wireless antenna transceivers and cables	431398-001
6	Microphone	431393-001
7	Display enclosures	
	For use with full-featured computer models	431390-001
	For use with defeatured computer models	432920-001
	Display Screw Kit (includes screws and rubber screw covers, not illustrated)	431400-001
	Display Cable Kit (not illustrated)	433287-001

3.4 Mass Storage Devices

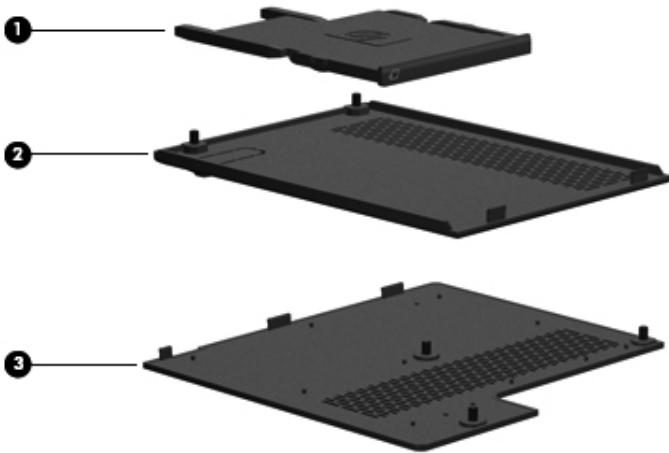


Mass Storage Devices

Table 3-3
Mass Storage Devices
Spare Part Number Information

Item	Description	Spare Part Number
1	<p>Hard drives (all 5400-rpm, include bracket and connector)</p> <p>For use with all computer models</p> <p>200-GB (4200-rpm) 441424-001</p> <p>160-GB (5400-rpm) 438485-001</p> <p>120-GB 431407-001</p> <p>100-GB 431406-001</p> <p>80-GB 431405-001</p> <p>60-GB 431404-001</p> <hr/> <p>40-GB hard drive for use only with computer models using Intel processors 434743-001</p> <hr/> <p>40-GB hard drive for use only with computer models using AMD processors 434415-001</p> <hr/> <p>Hard Drive Bracket Kit (includes hard drive bracket and screws used to secure the bracket to the hard drive) 436156-001</p>	
2	<p>Optical drives</p> <p>DVD±RW/R and CD-RW Double-Layer Combo Drive with LightScribe 431413-001</p> <p>DVD±RW/R and CD-RW Double-Layer Combo Drive 431412-001</p> <p>DVD/CD-RW Combo Drive 431411-001</p> <hr/> <p>USB digital drive (not illustrated) 364727-001</p>	

3.5 Plastics Kit



Plastics Kit Components

Table 3-4
Plastics Kit
Spare Part Number Information

Item	Description	Spare Part Number
	Plastics Kit	438669-001
	Includes:	
1	ExpressCard slot bezel	
2	Hard drive cover (includes 2 captive screws, secured by C-clips)	
3	Memory module compartment cover (includes 3 captive screws, secured by C-clips)	

3.6 Miscellaneous

Table 3-5
Spare Parts: Miscellaneous

Description	Spare Part Number
AC adapters	
HP 90-W PFC AC Adapter	432309-001
HP 90-W non-PFC AC Adapter	432310-001
HP 65-W AC Adapter	402018-001
Analog TV tuner	407941-001
DVB-T TV tuner	412175-001
Composite S-Video and audio input cable	407939-001
Headset	371693-001
Backpack	405527-001
HP Remote Control	407313-001
HP Remote Control	435743-001
Remote control, ExpressCard	439128-001
Remote control, ExpressCard (EMEA)	439254-001
Infrared emitter	439129-001
Logo Kit	431435-001
RF cable	408485-001
RF input adapter cable	407940-001
TV tuner - ExpressCard	439130-001
TV tuner remote control	408479-001
USB infrared receiver	408483-001
USB travel mouse	435836-001
Wireless laser mouse	430958-001

Table 3-5
Spare Parts: Miscellaneous (Continued)

Description	Spare Part Number
Antenna adapter - DVB-T	412176-001
Carrying case	418162-001
Wired optical mouse	436238-001
Power cords	
For use with all computer models in the following countries or regions::	
Australia and New Zealand	394279-011
Belgium, Europe, Finland, France, Germany, Greece, the Netherlands, Norway, Portugal, Spain, and Sweden	394279-021
Canada, French Canada, Latin America, Thailand, and the United States	394279-001
Denmark	394279-081
Israel	394279-BB1
Italy	394279-061
Switzerland	394279-111
The United Kingdom and Hong Kong	394279-031
For use only with computer models using Intel processors in the following countries or regions:	
Japan	394279-291
The People's Republic of China	394279-AA1
Taiwan	394279-AB1
For use only with computer models using AMD processors in the following countries or regions:	
India	394279-D61
Korea	394279-AD1

Table 3-5
Spare Parts: Miscellaneous (Continued)

Description	Spare Part Number
Screw Kits (include the screws listed below; refer to Appendix A, "Screw Listing," for more information on screw specifications and usage)	
For use only with computer models using Intel processors	434983-001
For use only with computer models using AMD processors	431433-001
<ul style="list-style-type: none"> ■ Phillips PM3.0×3.0 screw ■ Phillips PM2.5×10.0 screw ■ Phillips PM2.5×7.0 screw ■ Phillips PM2.5×5.0 screw ■ Phillips PM2.5×4.0 screw 	<ul style="list-style-type: none"> ■ Phillips PM2.0×6.0 Screw ■ Phillips PM2.0×5.0 captive screw ■ Phillips PM2.0×4.0 screw ■ Phillips PM2.0×3.0 screw

3.7 Sequential Part Number Listing

Table 3-6
Spare Parts: Sequential Part Number Listing

Spare Part Number	Description
364727-001	USB digital drive
371693-001	Headset
394279-001	Power cord for use in Canada, French Canada, Latin America, Thailand, and the United States
394279-011	Power cord for use in Australia
394279-021	Power cord for use in Belgium, Europe, Finland, France, Germany, Greece, the Netherlands, Norway, Portugal, Spain, and Sweden
394279-031	Power cord for use in the United Kingdom and Hong Kong
394279-061	Power cord for use in Italy
394279-081	Power cord for use in Denmark
394279-111	Power cord for use in Switzerland
394279-291	Power cord for use in Japan only on computer models using Intel processors
394279-AA1	Power cord for use in the People's Republic of China only on computer models using Intel processors
394279-AD1	Power cord for use in Korea
394279-AB1	Power cord for use in Taiwan
394279-BB1	Power cord for use in Israel
394279-D61	Power cord for use in India only on computer models using AMD processors
402018-001	HP 65W PFC AC Adapter

Table 3-6

Spare Parts: Sequential Part Number Listing (*Continued*)

Spare Part Number	Description
405527-001	Backpack
407159-001	802.11b/g WLAN Mini Card module for use with all computer models in the MOW countries or regions listed below:
	Antigua & Barbuda
	Argentina
	Aruba
	Australia
	Austria
	Azerbaijan
	Bahamas
	Bahrain
	Barbados
	Belgium
	Bermuda
	Brunei
	Bulgaria
	Canada
	The Cayman Islands
	The Czech Republic
	Chile
	Columbia
	Croatia
	Cyprus
	Denmark
	The Dominican Republic
	Egypt
	El Salvador
	Estonia
	Finland
	France
	Georgia
	Germany
	Greece
	Guam
	Guatemala
	Hong Kong
	Hungary
	Iceland
	India
	Indonesia
	Ireland
	Italy
	Latvia
	Lebanon
	Liechtenstein
	Lithuania
	Luxembourg
	Malaysia
	Malta
	Mexico
	Monaco
	The Netherlands
	New Zealand
	Norway
	Oman
	Panama
	Paraguay
	The Philippines
	Poland
	Portugal
	Romania
407159-002	802.11b/g WLAN Mini Card module for use with all computer models in the ROW countries or regions listed below:
	China
	Ecuador
	Haiti
	Honduras
	Pakistan
	Peru
	Qatar
	South Korea

Table 3-6

Spare Parts: Sequential Part Number Listing (Continued)

Spare Part Number	Description																																																												
407159-291	802.11b/g WLAN Mini Card module for use only with computer models using Intel processors in Japan																																																												
407160-001	802.11a/b/g WLAN Mini Card module for use only with computer models using AMD processors in the MOW countries or regions listed below:																																																												
	<table border="0"> <tr> <td>Antigua & Barbuda</td> <td>Croatia</td> <td>Italy</td> </tr> <tr> <td>Argentina</td> <td>Cyprus</td> <td>Latvia</td> </tr> <tr> <td>Aruba</td> <td>Denmark</td> <td>Lebanon</td> </tr> <tr> <td>Australia</td> <td>The Dominican Republic</td> <td>Liechtenstein</td> </tr> <tr> <td>Austria</td> <td>Egypt</td> <td>Lithuania</td> </tr> <tr> <td>Azerbaijan</td> <td>El Salvador</td> <td>Luxembourg</td> </tr> <tr> <td>Bahamas</td> <td>Estonia</td> <td>Malaysia</td> </tr> <tr> <td>Bahrain</td> <td>Finland</td> <td>Malta</td> </tr> <tr> <td>Barbados</td> <td>France</td> <td>Mexico</td> </tr> <tr> <td>Belgium</td> <td>Georgia</td> <td>Monaco</td> </tr> <tr> <td>Bermuda</td> <td>Germany</td> <td>The Netherlands</td> </tr> <tr> <td>Brunei</td> <td>Greece</td> <td>New Zealand</td> </tr> <tr> <td>Bulgaria</td> <td>Guam</td> <td>Norway</td> </tr> <tr> <td>Canada</td> <td>Guatemala</td> <td>Oman</td> </tr> <tr> <td>The Cayman Islands</td> <td>Hong Kong</td> <td>Panama</td> </tr> <tr> <td>The Czech Republic</td> <td>Hungary</td> <td>Paraguay</td> </tr> <tr> <td>Chile</td> <td>Iceland</td> <td>The Philippines</td> </tr> <tr> <td>Columbia</td> <td>India</td> <td>Poland</td> </tr> <tr> <td></td> <td>Indonesia</td> <td>Portugal</td> </tr> <tr> <td></td> <td>Ireland</td> <td>Romania</td> </tr> </table>	Antigua & Barbuda	Croatia	Italy	Argentina	Cyprus	Latvia	Aruba	Denmark	Lebanon	Australia	The Dominican Republic	Liechtenstein	Austria	Egypt	Lithuania	Azerbaijan	El Salvador	Luxembourg	Bahamas	Estonia	Malaysia	Bahrain	Finland	Malta	Barbados	France	Mexico	Belgium	Georgia	Monaco	Bermuda	Germany	The Netherlands	Brunei	Greece	New Zealand	Bulgaria	Guam	Norway	Canada	Guatemala	Oman	The Cayman Islands	Hong Kong	Panama	The Czech Republic	Hungary	Paraguay	Chile	Iceland	The Philippines	Columbia	India	Poland		Indonesia	Portugal		Ireland	Romania
Antigua & Barbuda	Croatia	Italy																																																											
Argentina	Cyprus	Latvia																																																											
Aruba	Denmark	Lebanon																																																											
Australia	The Dominican Republic	Liechtenstein																																																											
Austria	Egypt	Lithuania																																																											
Azerbaijan	El Salvador	Luxembourg																																																											
Bahamas	Estonia	Malaysia																																																											
Bahrain	Finland	Malta																																																											
Barbados	France	Mexico																																																											
Belgium	Georgia	Monaco																																																											
Bermuda	Germany	The Netherlands																																																											
Brunei	Greece	New Zealand																																																											
Bulgaria	Guam	Norway																																																											
Canada	Guatemala	Oman																																																											
The Cayman Islands	Hong Kong	Panama																																																											
The Czech Republic	Hungary	Paraguay																																																											
Chile	Iceland	The Philippines																																																											
Columbia	India	Poland																																																											
	Indonesia	Portugal																																																											
	Ireland	Romania																																																											

Table 3-6

Spare Parts: Sequential Part Number Listing (*Continued*)

Spare Part Number	Description																								
407160-002	802.11a/b/g WLAN Mini Card module for use only with computer models using AMD processors in the ROW countries or regions listed below: <table border="0"> <tr> <td>China</td> <td>Honduras</td> <td>Qatar</td> </tr> <tr> <td>Ecuador</td> <td>Pakistan</td> <td>South Korea</td> </tr> <tr> <td>Haiti</td> <td>Peru</td> <td></td> </tr> </table>	China	Honduras	Qatar	Ecuador	Pakistan	South Korea	Haiti	Peru																
China	Honduras	Qatar																							
Ecuador	Pakistan	South Korea																							
Haiti	Peru																								
407313-001	HP Remote Control																								
407674-001	802.11a/b/g WLAN Mini Card module for use only with computer models using Intel processors in the MOW1 countries or regions listed below: <table border="0"> <tr> <td>Antigua & Barbuda</td> <td>Dominican Republic</td> <td>Malaysia</td> </tr> <tr> <td>Argentina</td> <td>Guam</td> <td>Mexico</td> </tr> <tr> <td>Australia</td> <td>Guatemala</td> <td>New Zealand</td> </tr> <tr> <td>Bahamas</td> <td>Hong Kong</td> <td>Paraguay</td> </tr> <tr> <td>Barbados</td> <td>Panama</td> <td>Saudi Arabia</td> </tr> <tr> <td>Brunei</td> <td>India</td> <td>Taiwan</td> </tr> <tr> <td>Canada</td> <td>Indonesia</td> <td>The United States</td> </tr> <tr> <td>Chile</td> <td></td> <td>Vietnam</td> </tr> </table>	Antigua & Barbuda	Dominican Republic	Malaysia	Argentina	Guam	Mexico	Australia	Guatemala	New Zealand	Bahamas	Hong Kong	Paraguay	Barbados	Panama	Saudi Arabia	Brunei	India	Taiwan	Canada	Indonesia	The United States	Chile		Vietnam
Antigua & Barbuda	Dominican Republic	Malaysia																							
Argentina	Guam	Mexico																							
Australia	Guatemala	New Zealand																							
Bahamas	Hong Kong	Paraguay																							
Barbados	Panama	Saudi Arabia																							
Brunei	India	Taiwan																							
Canada	Indonesia	The United States																							
Chile		Vietnam																							

Table 3-6

Spare Parts: Sequential Part Number Listing (*Continued*)

Spare Part Number	Description		
407674-002	802.11a/b/g WLAN Mini Card module for use only with computer models using Intel processors in the MOW2 countries or regions listed below:		
	Aruba	Georgia	Liechtenstein
	Austria	Germany	Lithuania
	Azerbaijan	Greece	Luxembourg
	Bahrain	Hungary	Malta
	Belgium	Iceland	Monaco
	Bermuda	Ireland	The Netherlands
	Bulgaria	Italy	Norway
	Cayman Islands	Latvia	Oman
	Columbia	Lebanon	Slovenia
	Croatia	The Philippines	South Africa
	Cyprus	Poland	Spain
	The Czech Republic	Portugal	Sri Lanka
	Denmark	Romania	Sweden
	Egypt	Russia	Switzerland
	EI Salvador	Serbia and Montenegro	Turkey
	Estonia	Singapore	The United Kingdom
	Finland	Slovakia	Uzbekistan
	France		
407674-003	802.11a/b/g WLAN Mini Card module for use only with computer models using Intel processors in the MOW2 countries or regions listed below:		
	China	Honduras	Qatar
	Ecuador	Pakistan	South Korea
	Haiti	Peru	

Table 3-6**Spare Parts: Sequential Part Number Listing (Continued)**

Spare Part Number	Description
407674-004	802.11b/g WLAN Mini Card module for use in Costa Rica, Israel, Kuwait, Thailand, UAE, Ukraine.
407674-291	802.11a/b/g WLAN Mini Card module for use only with computer models using Intel processors in Japan
407939-001	Composite S-Video and audio input cable
407940-001	RF input adapter cable
407941-001	Analog TV tuner
408479-001	TV tuner remote control
408483-001	USB infrared receiver
408485-001	RF cable
412175-001	DVB-T TV tuner
412766-002	Bluetooth module (includes Bluetooth module cable)
418162-001	Carrying case
430896-001	Intel Core Duo T1350 (1.86-GHz) processor
430897-001	Intel Core Duo T2250 (1.73-GHz) processor
430898-001	Intel Core Duo T2050 (1.1.60-GHz) processor
430958-001	Wireless laser mouse
431364-001	System board for use only with full-featured computer models using AMD processors
431365-001	System board for use only with defeatured computer models using AMD processors
431371-001	AMD Turion ML-50 1.60-GHz processor (includes thermal pad)

Table 3-6

Spare Parts: Sequential Part Number Listing (*Continued*)

431372-001	AMD Turion ML-52 1.60-GHz processor (includes thermal pad)
431373-001	AMD Turion ML-56 1.80-GHz processor (includes thermal pad)
431374-001	Mobile AMD Sempron 3200+ 1.60-GHz processor (includes thermal pad)
431375-001	Mobile AMD Sempron 3400+ 1.80-GHz processor (includes thermal pad)
431386-001	15.4-inch, WXGA, SVA display panel with BrightView for use only with computers using AMD processors
431387-001	15.4-inch, WXGA, SVA AntiGlare display panel for use only with computers using AMD processors
431390-001	Display enclosure for use with full-featured computer models
431391-001	Display inverter
431393-001	Microphone (includes microphone receivers and cables)
431398-001	Wireless antenna transceivers and cables for use only with computers using AMD processors
431400-001	Display Screw Kit (includes screws and rubber screw covers)
431401-001	256-MB memory module for use only with computers using AMD processors (PC2-5300, 667-MHz, 1-DIMM)
431402-001	512-MB memory module for use only with computers using AMD processors (PC2-5300, 667-MHz, 1-DIMM)
431403-001	1024-MB memory module for use only with computers using AMD processors (PC2-5300, 667-MHz, 1-DIMM)
431404-001	60-GB hard drive (5400-rpm, includes bracket and connector)
431405-001	80-GB hard drive (5400-rpm, includes bracket and connector)
431406-001	100-GB hard drive (5400-rpm, includes bracket and connector)

Table 3-6**Spare Parts: Sequential Part Number Listing (Continued)**

Spare Part Number	Description
431407-001	120-GB hard drive (5400-rpm, includes bracket and connector)
431411-001	DVD/CD-RW Combo Drive
431412-001	DVD±RW/R and CD-RW Double-Layer Combo Drive
431413-001	DVD±RW/R and CD-RW Double-Layer Combo Drive with LightScribe
431424-001	Switch cover for use with defeatured computer models (includes LED board and LED board cable)
431425-001	Switch cover for use with full-featured computer models (includes LED board and LED board cable)
431427-001	Base enclosure for use with full-featured computer models (includes wireless switch)
431431-001	Rubber Feet Kit (includes computer feet, not illustrated)
431433-001	Screw Kit for use only with computer models using AMD processors
431435-001	Logo Kit
431436-001	RTC battery (includes 2-sided tape)
431438-001	Power button board (includes power button board cable)
431440-001	ExpressCard assembly
431443-001	Audio board for use with full-featured computer models (includes infrared lens)

Table 3-6

Spare Parts: Sequential Part Number Listing (*Continued*)

Spare Part Number	Description
431444-001	Audio board for use with defeatured computer models (does not include infrared lens)
431445-001	USB/power connector board for use with 65W AC adapters (includes USB/power connector board cable)
431446-001	USB/power connector board for use with 90W AC adapters (includes USB/power connector board cable)
431450-001	Fan/heat sink assembly for use only with computer models using AMD processors (includes thermal pads)
432302-001	15.4-inch, WXGA, TFT display assembly with BrightView for use with defeatured computer models (includes wireless antenna transceivers and cables; does not include microphones)
432303-001	15.4-inch, WXGA, TFT Antiglare display assembly for use with defeatured computer models (includes wireless antenna transceivers and cables; does not include microphones)
432304-001	15.4-inch, WXGA, TFT display assembly with BrightView for use with full-featured computer models (includes microphones and wireless antenna transceivers and cables)
432305-001	15.4-inch, WXGA, TFT Antiglare display assembly for use with full-featured computer models (includes microphones and wireless antenna transceivers and cables)
432306-001	6-cell, 4.0-Ahr battery
432307-001	12-cell, 8.8-Ahr battery
432309-001	HP 90W PFC AC Adapter
432310-001	HP 90W non-PFC AC Adapter
432920-001	Display enclosure for use with defeatured computer models
432922-001	Base enclosure for use with defeatured computer models (includes wireless switch)

Table 3-6**Spare Parts: Sequential Part Number Listing (Continued)**

Spare Part Number	Description
433283-001	Display bezel for use with full-featured computer models (includes microphone openings)
433284-001	Display bezel for use with defeatured computer models (does not include microphone openings)
433287-001	Display Cable Kit
433288-001	Display Hinge Kit (includes left and right display hinges)
434414-001	Mobile AMD Sempron 3500+ 1.80-GHz processor (includes thermal pad)
434415-001	40-GB hard drive for use only with computer models using AMD processors (5400-rpm, includes bracket and connector)
434725-001	945GM system board for use only with full-featured computer models using Intel processors
434726-001	940GML system board for use only with defeatured computer models using Intel processors
434730-001	Intel Core Duo T7200 (2.0-GHz) processor
434731-001	Intel Core Duo T5600 (1.8-GHz) processor
434735-001	Intel Celeron 420 (1.6-GHz) processor
434740-001	256-MB memory module for use only with computer models using Intel processors (PC2-5300, 667-MHz, 1-DIMM)
434741-001	512-MB memory module for use only with computer models using Intel processors (PC2-5300, 667-MHz, 1-DIMM)
434742-001	1024-MB memory module for use only with computer models using Intel processors (PC2-5300, 667-MHz, 1-DIMM)
434743-001	40-GB hard drive for use only with computer models using Intel processors (5400-rpm, includes bracket and connector)
434746-001	Fan/heat sink assembly for use only with computer models using Intel processors (includes thermal paste)

Table 3-6

Spare Parts: Sequential Part Number Listing (*Continued*)

Spare Part Number	Description
434983-001	Screw Kit for use only with computer models using Intel processors
434984-001	Cable Kit
435743-001	HP Remote Control II Plus
435836-001	USB travel mouse
436156-001	Hard Drive Bracket Kit
436157-001	Intel Core Duo T5500 (1.66-GHz) processor
436159-001	Intel Celeron 430 (1.73-GHz) processor
436238-001	Wired optical mouse
436257-001	AMD Turion ML-60 2.0-GHz processor (includes thermal pad)
436900-001	Intel Core Duo T5200 (1.66-GHz) processor, for use with V6200 models
438186-001	Top cover for use with full-featured computer models (includes speakers, TouchPad, and TouchPad cable)
438187-001	Top cover for use with defeatured computer models (includes speaker, TouchPad, and TouchPad cable)
438316-001	Base enclosure for use with defeatured computer models (includes wireless switch)
438485-001	160-GB hard drive (5400-rpm, includes bracket and connector)
438669-001	Plastics Kit
439128-001	Remote control, ExpressCard
439129-001	Infrared emitter
439130-001	TV tuner
439131-001	TV tuner antenna

Table 3-6**Spare Parts: Sequential Part Number Listing (Continued)**

Spare Part Number	Description
439254-001	Remote control - ExpressCard (EMEA)
441424-001	200-GB hard drive (4200-rpm, includes bracket & connector)
441428-001	Keyboard for use in the United States
441428-031	Keyboard for use in the United Kingdom
441428-051	Keyboard for use in France
441428-061	Keyboard for use in Italy
441428-071	Keyboard for use in Spain
441428-121	Keyboard for use in French Canada
441428-161	Keyboard for use in Latin America only on computer models using Intel processors
441428-171	Keyboard for use in Saudi Arabia only on computer models using Intel processors
441428-281	Keyboard for use in Thailand only on computer models using Intel processors
441428-331	Keyboard for use in the Netherlands
441428-AB1	Keyboard for use in Taiwan only on computer models using Intel processors
441428-AD1	Keyboard for use in the Korea
441428-DH1	Keyboard for use only on computer models using AMD processors in Denmark, Finland, Norway, and Sweden
441677-001	945PM system board - EMEA (for Germany only)
441761-001	Intel Celeron 440 (1.86-GHz) processor, for use with V6200 models

Table 3-6

Spare Parts: Sequential Part Number Listing (*Continued*)

441762-001	Intel Core Duo T2350 (1.60-GHz) processor, for use with V6200 models
441763-001	Intel Core Duo T2060 (1.60-GHz) processor, for use with V6200 models
444479-001	943GM system board - for use only with defeatured models

Removal and Replacement Preliminaries

This chapter provides essential information for proper and safe removal and replacement service.

4.1 Tools Required

You will need the following tools to complete the removal and replacement procedures:

- Magnetic screwdriver
- Phillips P0 and P1 screwdrivers
- Flat-bladed screwdriver

4.2 Service Considerations

The following sections include some of the considerations that you should keep in mind during disassembly and assembly procedures.



As you remove each subassembly from the computer, place the subassembly (and all accompanying screws) away from the work area to prevent damage.

Plastic Parts

Using excessive force during disassembly and reassembly can damage plastic parts. Use care when handling the plastic parts. Apply pressure only at the points designated in the maintenance instructions.

Cables and Connectors



CAUTION: When servicing the computer, ensure that cables are placed in their proper locations during the reassembly process. Improper cable placement can damage the computer.

Cables must be handled with extreme care to avoid damage. Apply only the tension required to unseat or seat the cables during removal and insertion. Handle cables by the connector whenever possible. In all cases, avoid bending, twisting, or tearing cables. Ensure that cables are routed in such a way that they cannot be caught or snagged by parts being removed or replaced. Handle flex cables with extreme care; these cables tear easily.

4.3 Preventing Damage to Removable Drives

Removable drives are fragile components that must be handled with care. To prevent damage to the computer, damage to a removable drive, or loss of information, observe the following precautions:

- Before removing or inserting a hard drive, shut down the computer. If you are unsure whether the computer is off or in hibernation, turn the computer on, and then shut it down through the operating system.
- Before removing a diskette drive or optical drive, ensure that a diskette or disc is not in the drive and ensure that the optical drive tray is closed.
- Before handling a drive, ensure that you are discharged of static electricity. While handling a drive, avoid touching the connector.
- Handle drives on surfaces covered with at least one inch of shock-proof foam.
- Avoid dropping drives from any height onto any surface.
- After removing a hard drive, CD-ROM drive, or a diskette drive, place it in a static-proof bag.
- Avoid exposing a hard drive to products that have magnetic fields, such as monitors or speakers.
- Avoid exposing a drive to temperature extremes or liquids.
- If a drive must be mailed, place the drive in a bubble pack mailer or other suitable form of protective packaging and label the package, "FRAGILE: Handle With Care."

4.4 Preventing Electrostatic Damage

Many electronic components are sensitive to electrostatic discharge (ESD). Circuitry design and structure determine the degree of sensitivity. Networks built into many integrated circuits provide some protection, but in many cases, the discharge contains enough power to alter device parameters or melt silicon junctions.

A sudden discharge of static electricity from a finger or other conductor can destroy static-sensitive devices or microcircuitry. Often the spark is neither felt nor heard, but damage occurs.

An electronic device exposed to electrostatic discharge might not be affected at all and can work perfectly throughout a normal cycle. Or the device might function normally for a while, then degrade in the internal layers, reducing its life expectancy.

4.5 Packaging and Transporting Precautions

Use the following grounding precautions when packaging and transporting equipment:

- To avoid hand contact, transport products in static-safe containers, such as tubes, bags, or boxes.
- Protect all electrostatic-sensitive parts and assemblies with conductive or approved containers or packaging.
- Keep electrostatic-sensitive parts in their containers until the parts arrive at static-free workstations.
- Place items on a grounded surface before removing items from their containers.
- Always be properly grounded when touching a sensitive component or assembly.
- Store reusable electrostatic-sensitive parts from assemblies in protective packaging or nonconductive foam.
- Use transporters and conveyors made of antistatic belts and roller bushings. Ensure that mechanized equipment used for moving materials is wired to ground and that proper materials are selected to avoid static charging. When grounding is not possible, use an ionizer to dissipate electric charges.

4.6 Workstation Precautions

Use the following grounding precautions at workstations:

- Cover the workstation with approved static-shielding material (refer to [Table 4-2, “Static-Shielding Materials”](#)).
- Use a wrist strap connected to a properly grounded work surface and use properly grounded tools and equipment.
- Use conductive field service tools, such as cutters, screwdrivers, and vacuums.
- When using fixtures that must directly contact dissipative surfaces, only use fixtures made of static-safe materials.
- Keep the work area free of nonconductive materials, such as ordinary plastic assembly aids and Styrofoam.
- Handle electrostatic-sensitive components, parts, and assemblies by the case or PCM laminate. Handle these items only at static-free workstations.
- Avoid contact with pins, leads, or circuitry.
- Turn off power and input signals before inserting or removing connectors or test equipment.

4.7 Grounding Equipment and Methods

Grounding equipment must include either a wrist strap or a foot strap at a grounded workstation.

- When seated, wear a wrist strap connected to a grounded system. Wrist straps are flexible straps with a minimum of one megohm $\pm 10\%$ resistance in the ground cords. To provide proper ground, wear a strap snugly against the skin at all times. On grounded mats with banana-plug connectors, use alligator clips to connect a wrist strap.
- When standing, use foot straps and a grounded floor mat. Foot straps (heel, toe, or boot straps) can be used at standing workstations and are compatible with most types of shoes or boots. On conductive floors or dissipative floor mats, use foot straps on both feet with a minimum of one megohm resistance between the operator and ground. To be effective, the conductive strips must be worn in contact with the skin.

Other grounding equipment recommended for use in preventing electrostatic damage includes

- Antistatic tape.
- Antistatic smocks, aprons, and sleeve protectors.
- Conductive bins and other assembly or soldering aids.
- Nonconductive foam.
- Conductive tabletop workstations with ground cords of one megohm resistance.
- Static-dissipative tables or floor mats with hard ties to the ground.
- Field service kits.
- Static awareness labels.
- Material-handling packages.
- Nonconductive plastic bags, tubes, or boxes.
- Metal tote boxes.
- Electrostatic voltage levels and protective materials.

Table 4-1 shows how humidity affects the electrostatic voltage levels generated by different activities.

Table 4-1
Typical Electrostatic Voltage Levels

Event	Relative Humidity		
	10%	40%	55%
Walking across carpet	35,000 V	15,000 V	7,500 V
Walking across vinyl floor	12,000 V	5,000 V	3,000 V
Motions of bench worker	6,000 V	800 V	400 V
Removing DIPS from plastic tube	2,000 V	700 V	400 V
Removing DIPS from vinyl tray	11,500 V	4,000 V	2,000 V
Removing DIPS from Styrofoam	14,500 V	5,000 V	3,500 V
Removing bubble pack from PCB	26,500 V	20,000 V	7,000 V
Packing PCBs in foam-lined box	21,000 V	11,000 V	5,000 V



A product can be degraded by as little as 700 V.

Table 4-2 lists the shielding protection provided by antistatic bags and floor mats.

Table 4-2
Static-Shielding Materials

Material	Use	Voltage Protection Level
Antistatic plastic	Bags	1,500 V
Carbon-loaded plastic	Floor mats	7,500 V
Metallized laminate	Floor mats	5,000 V

Removal and Replacement Procedures

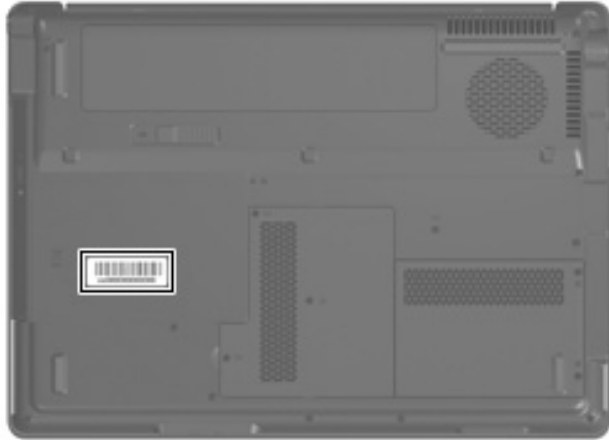
This chapter provides removal and replacement procedures.

There are as many as 84 screws, in 9 different sizes, that must be removed, replaced, or loosened when servicing the computer. Make special note of each screw size and location during removal and replacement.

Refer to [Appendix A, “Screw Listing,”](#) for detailed information on screw sizes, locations, and usage.

5.1 Serial Number

Report the computer serial number to HP when requesting information or ordering spare parts. The serial number is located on the bottom of the computer.




Serial Number Location

5.2 Disassembly Sequence Chart

Use the chart below to determine the section number to be referenced when removing computer components.

Disassembly Sequence Chart

Section	Description	# of Screws Removed
5.3	Preparing the Computer For Disassembly	
	Battery	0
5.4	Hard Drive	2 loosened to remove the hard drive cover 6 removed to disassemble the hard drive
5.5	Computer Feet	0
5.6	Memory Module	3 loosened to remove the memory module compartment cover
5.7	RTC Battery	0
5.8	Mini Card Module	2
	 To prevent an unresponsive system and the display of a warning message, install only a Mini Card device authorized for use in your computer by the governmental agency that regulates wireless devices in your country or region. If you install a device and then receive a warning message, remove the device to restore computer functionality. Then contact technical support by selecting Start > Help and Support > Contact support .	
5.9	Optical Drive	1 to remove the optical drive 2 to remove the optical drive bracket
5.10	Switch Cover	2 to remove the switch cover 1 to remove the num lock board
5.11	Keyboard	3

Disassembly Sequence Chart (*Continued*)

Section	Description	# of Screws Removed
5.12	Power Button Board	1
5.13	Display Assembly	4
	Display bezel	8
	Display inverter	0
	Display panel	4
	Display hinges	4
	Wireless antenna transceivers	2
	Microphones	2
5.14	Top Cover	22
5.15	Audio Board	2
5.16	Bluetooth Module	2
5.17	ExpressCard Assembly	4
5.18	USB/Power Connector Board	2
5.19	System Board	2
5.20	Fan/Heat Sink Assembly	4
5.21	Processor	1 loosened

5.3 Preparing the Computer For Disassembly

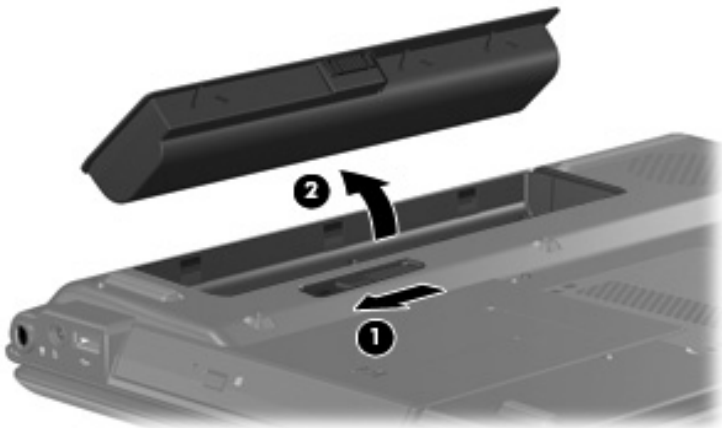
Before you begin any removal or installation procedures:

1. Shut down the computer. If you are unsure whether the computer is off or in hibernation, turn the computer on, and then shut it down through the operating system.
2. Disconnect all external devices connected to the computer.
3. Disconnect the power cord.

Battery Spare Part Number Information

12-cell, 8.8-Ahr	432307-001
6-cell, 4.0-Ahr	432306-001

4. Remove the battery by following these steps:
 - a. Turn the computer upside down with the front panel toward you.
 - b. Slide and hold the battery release latch **1** to the left. (The front edge of the battery disengages from the computer.)
 - c. Lift the front edge of the battery **2** and swing it back.
 - d. Remove the battery.



Removing the Battery

Reverse the above procedure to install the battery.

5.4 Hard Drive

Hard Drive Spare Part Number Information

For use with all computer models

200-GB	441424-001
160-GB	438485-001
120-GB	431407-001
100-GB	431406-001
80-GB	431405-001
60-GB	431404-001

40-GB hard drive for use only with computer models using Intel processors	434743-001
---	------------

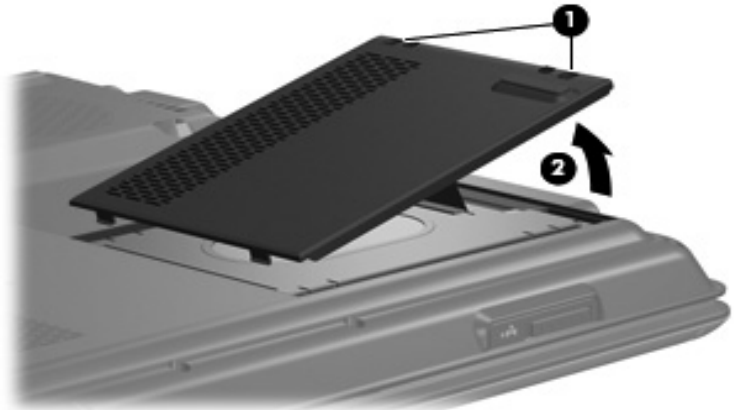
40-GB hard drive for use only with computer models using AMD processors	434415-001
---	------------

Hard Drive Bracket Kit (includes hard drive bracket and screws used to secure the bracket to the hard drive)	436156-001
---	------------

1. Prepare the computer for disassembly (refer to [Section 5.3](#)).
2. Loosen the two Phillips PM2.0×5.0 screws ❶ that secure the hard drive cover to the computer.
3. Lift the right side of the cover ❷ and swing it to the left.
4. Remove the hard drive cover.

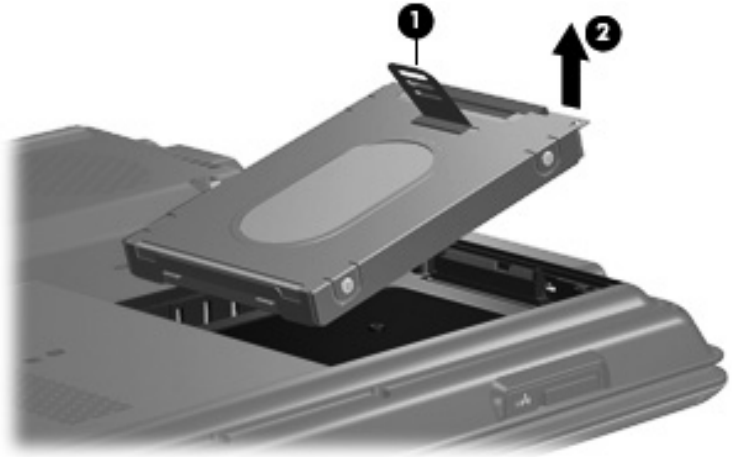


The hard drive cover is included in the Plastics Kit, spare part number 438669-001.



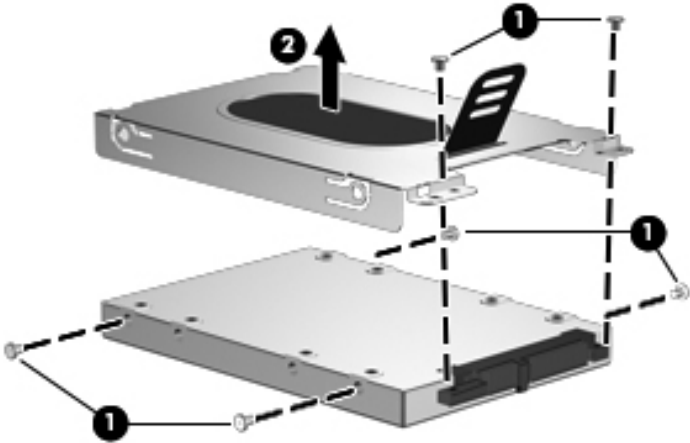
Removing the Hard Drive Cover

5. Use the mylar tab ❶ to lift the hard drive ❷ until it disconnects from the computer.
6. Remove the hard drive from the hard drive bay.



Removing the Hard Drive

7. Remove the six Phillips PM3.0×3.0 screws **1** that secure the hard drive bracket to the hard drive.
8. Lift the bracket **2** straight up to remove it from the hard drive.

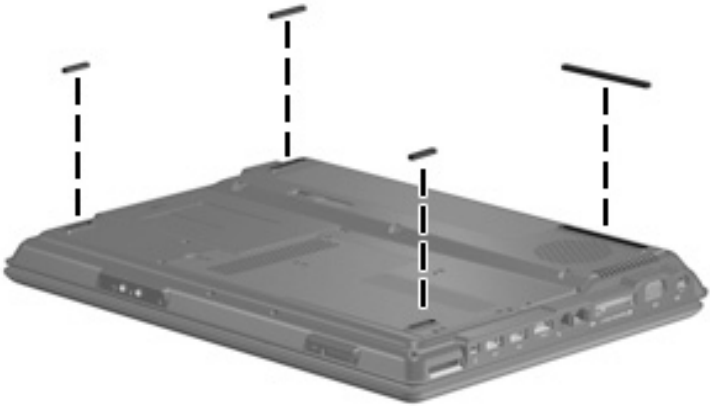


Removing the Hard Drive Bracket

Reverse the above procedure to install and reassemble the hard drive.

5.5 Computer Feet

The computer feet are adhesive-backed rubber pads. The feet are included in the Rubber Feet Kit, spare part number 431431-001. The feet attach to the base enclosure in the locations illustrated below.



Computer Feet Locations

5.6 Memory Module

Memory Module Spare Part Number Information

For use only with computer models using Intel processors

1024-MB	434742-001
512-MB	434741-001
256-MB	434740-001

For use only with computer models using AMD processors

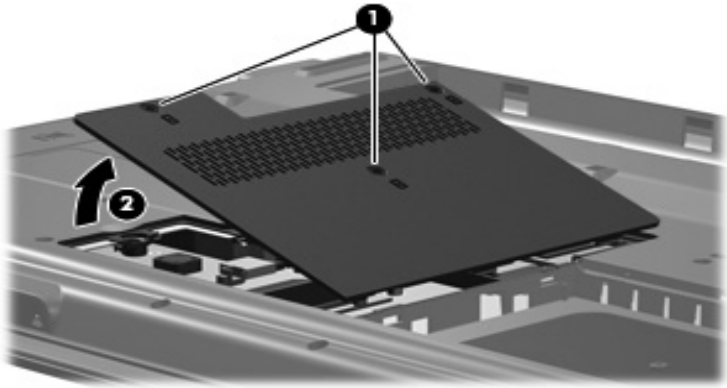
1024-MB	431403-001
512-MB	431402-001
256-MB	431401-001

1. Prepare the computer for disassembly (refer to [Section 5.3](#)).

2. Loosen the three Phillips PM2.0×5.0 screws ❶ that secure the memory module compartment cover to the computer.
3. Lift the left side of the memory module compartment cover ❷, and then swing it to the right.
4. Remove the memory module compartment cover.



The memory module compartment cover is included in the Plastics Kit, spare part number 431429-001.

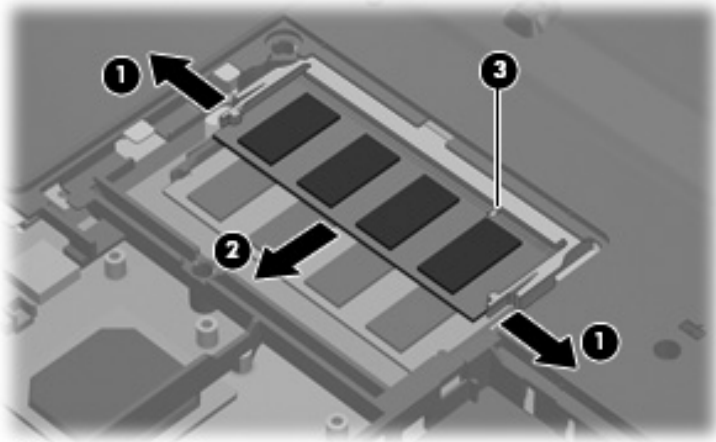


Removing the Memory Module Compartment Cover

5. Spread the retaining tabs **1** on each side of the memory module socket to release the memory module. (The edge of the module opposite the socket rises away from the computer.)
6. Slide the module **2** away from the socket at an angle.



Memory modules are designed with a notch **3** to prevent incorrect installation into the memory module socket.



Removing a Memory Module

Reverse the above procedure to install a memory module.

5.7 RTC Battery

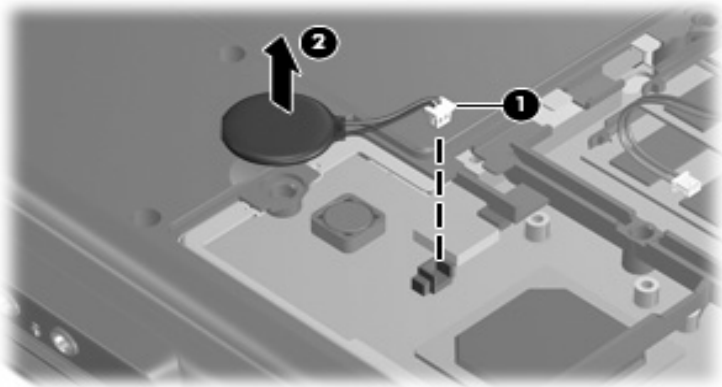
RTC Battery Spare Part Number Information

RTC battery (includes 2-sided tape)	431436-001
-------------------------------------	------------

1. Prepare the computer for disassembly (refer to [Section 5.3](#)).
2. Remove the memory module compartment cover ([Section 5.6](#)).
3. Disconnect the RTC battery cable ❶ from the system board.
4. Remove the RTC battery ❷.



The RTC battery is secured to the computer by 2-sided tape. All replacement RTC battery spare part kits include 2-sided tape.



Removing the RTC Battery

Reverse the above procedure to install the RTC battery.

5.8 Mini Card Module

Mini Card Module Spare Part Number Information

For use only with computer models using Intel processors

802.11a/b/g WLAN Mini Card module for use only with computer models using Intel processors in the MOW1 countries or regions listed below: 407674-001

Antigua & Barbuda	Canada	Panama	Paraguay
Argentina	Chile	India	Saudi Arabia
Australia	Dominican Republic	Indonesia	Taiwan
Bahamas	Guam	Malaysia	The United States
Barbados	Guatemala	Mexico	Vietnam
Brunei	Hong Kong	New Zealand	

802.11a/b/g WLAN Mini Card module for use only with computer models using Intel processors in the MOW2 countries or regions listed below: 407674-002

Aruba	Egypt	The Philippines	The Netherlands
Austria	El Salvador	Poland	Norway
Azerbaijan	Estonia	Portugal	Oman
Bahrain	Finland	Romania	Slovenia
Belgium	France	Russia	South Africa
Bermuda	Georgia	Serbia and Montenegro	Spain
Bulgaria	Germany	Singapore	Sri Lanka
Cayman Islands	Greece	Slovakia	Sweden
Columbia	Hungary	Liechtenstein	Switzerland
Croatia	Iceland	Lithuania	Turkey
Cyprus	Ireland	Luxembourg	The United Kingdom
The Czech Republic	Italy	Malta	Uzbekistan
Denmark	Latvia	Monaco	
	Lebanon		

Mini Card Module Spare Part Number Information (Continued)

802.11a/b/g WLAN Mini Card module for use only with computer models using Intel processors in the ROW countries or regions listed below:		407674-003	
China	Honduras	Qatar	Uruguay
Ecuador	Pakistan	South Korea	Venezuela
Haiti	Peru		
802.11b/g WLAN Mini Card module for use in Costa Rica, Israel, Kuwait, Thailand, UAE, Ukraine.		407674-004	
802.11a/b/g WLAN Mini Card module for use only with computer models using Intel processors in Japan		407674-291	
802.11a/b/g WLAN Mini Card module for use only with computer models using AMD processors in the MOW countries or regions listed below:		407160-001	
Antigua & Barbuda	Croatia	Ireland	Russia
Argentina	Cyprus	Italy	Saudi Arabia
Aruba	Denmark	Latvia	Serbia and Montenegro
Australia	The Dominican Republic	Lebanon	Singapore
Austria	Egypt	Liechtenstein	Slovakia
Azerbaijan	El Salvador	Lithuania	Slovenia
Bahamas	Estonia	Luxembourg	South Africa
Bahrain	Finland	Malaysia	Spain
Barbados	France	Malta	Sri Lanka
Belgium	Georgia	Mexico	Sweden
Bermuda	Germany	Monaco	Switzerland
Brunei	Greece	The Netherlands	Taiwan
Bulgaria	Guam	New Zealand	Turkey
Canada	Guatemala	Norway	Turkey
The Cayman Islands	Hong Kong	Oman	The United Kingdom
The Czech Republic	Hungary	Panama	The United States
Chile	Iceland	Paraguay	Uzbekistan
Columbia	India	The Philippines	Vietnam
	Indonesia	Poland	
		Portugal	
		Romania	

Mini Card Module Spare Part Number Information (Continued)

802.11a/b/g WLAN Mini Card module for use only with computer models using AMD processors in the ROW countries or regions listed below:

China	Honduras	Qatar	Uruguay
Ecuador	Pakistan	South Korea	Venezuela
Haiti	Peru		

802.11b/g WLAN Mini Card module for use with all computer models in the MOW countries or regions listed below:

Antigua & Barbuda	Croatia	Ireland	Romania
Argentina	Cyprus	Italy	Russia
Aruba	Denmark	Latvia	Saudi Arabia
Australia	The Dominican Republic	Lebanon	Serbia and Montenegro
Austria	Egypt	Liechtenstein	Singapore
Azerbaijan	El Salvador	Lithuania	Slovakia
Bahamas	Estonia	Luxembourg	Slovenia
Bahrain	Finland	Malaysia	South Africa
Barbados	France	Malta	Spain
Belgium	Georgia	Mexico	Sweden
Bermuda	Germany	Monaco	Sri Lanka
Brunei	Greece	The Netherlands	Switzerland
Bulgaria	Guam	New Zealand	Taiwan
Canada	Guatemala	Norway	Turkey
The Cayman Islands	Hong Kong	Oman	The United Kingdom
The Czech Republic	Hungary	Panama	The United States
Chile	Iceland	Paraguay	Uzbekistan
Columbia	India	The Philippines	Vietnam
	Indonesia	Poland	
		Portugal	

Mini Card Module Spare Part Number Information (*Continued*)

802.11b/g WLAN Mini Card module for use with all computer models in the ROW countries or regions listed below:

China	Honduras	Qatar	Uruguay
Ecuador	Pakistan	South Korea	Venezuela
Haiti	Peru		

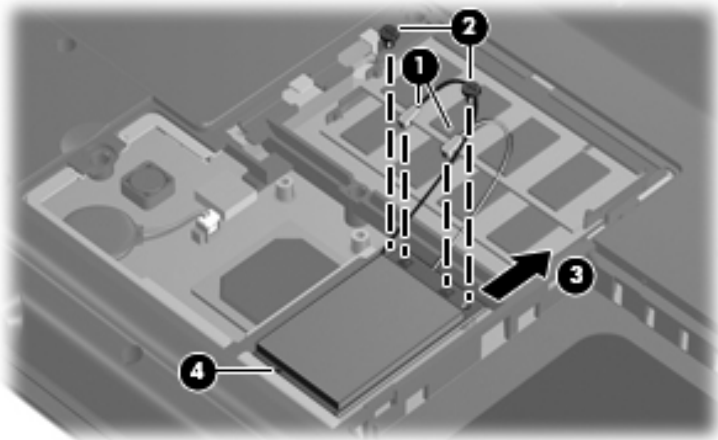
802.11b/g WLAN Mini Card module for use only with computer models using Intel processors in Japan

1. Prepare the computer for disassembly ([Section 5.3](#)).
2. Remove the memory module compartment cover ([Section 5.6](#)).

3. Make note of which wireless antenna cable is attached to which antenna clip on the Mini Card module before disconnecting the cables. Then disconnect the cables ❶ from the module.
4. Remove the two Phillips PM2.0×3.0 screws ❷ that secure the Mini Card module to the computer. (The edge of the module opposite the socket rises away from the computer).
5. Remove the module ❸ by pulling it away from the socket at an angle.



Mini Card WLAN modules are designed with a notch ❹ to prevent incorrect installation into the Mini Card module socket.



Removing a Mini Card Module

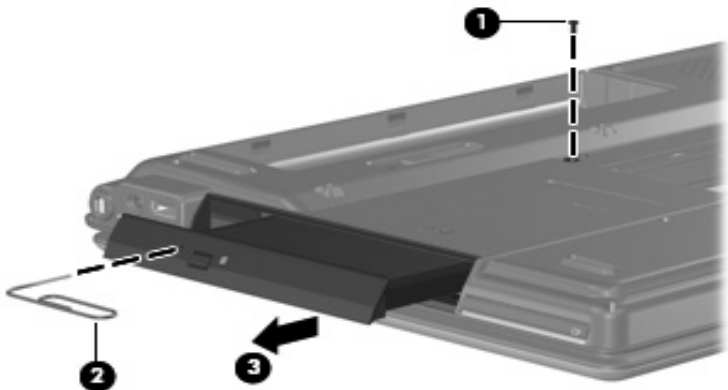
Reverse the above procedure to install a Mini Card module.

5.9 Optical Drive

Optical Drive Spare Part Number Information

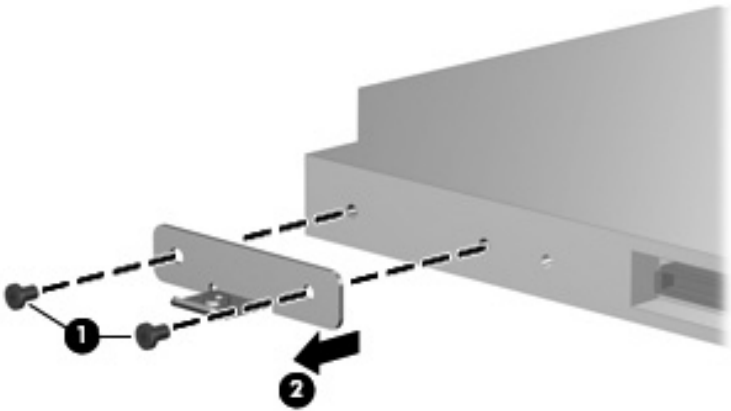
DVD±RW/R and CD-RW Double-Layer Combo Drive with LightScribe	431413-001
DVD±RW/R and CD-RW Double-Layer Combo Drive	431412-001
DVD/CD-RW Combo Drive	431411-001

1. Prepare the computer for disassembly ([Section 5.3](#)).
2. Remove the Phillips PM2.5×7.0 screw **1** that secures the optical drive to the computer.
3. Insert a thin tool, such as a paper clip **2**, into the media tray release hole. (The optical drive media tray releases from the optical drive.)
4. Use the media tray frame to slide the optical drive **3** out of the computer.
5. Remove the optical drive.



Removing the Optical Drive

6. Position the optical drive with the optical drive bracket toward you.
7. Remove the two Phillips PM2.0×3.0 screws ❶ that secure the optical drive bracket to the optical drive.
8. Remove the optical drive ❷.



Removing the Optical Drive Bracket

Reverse the above procedure to reassemble and install the optical drive.

5.10 Switch Cover

Switch Cover Spare Part Number Information

For use with full-featured computer models	431424-001
For use with defeatured computer models	431425-001

1. Prepare the computer for disassembly ([Section 5.3](#)).
2. Close the computer.
3. Turn the computer upside down with the front panel toward you.
4. Remove the two Phillips PM2.5×10.0 screws that secure the switch cover to the computer.



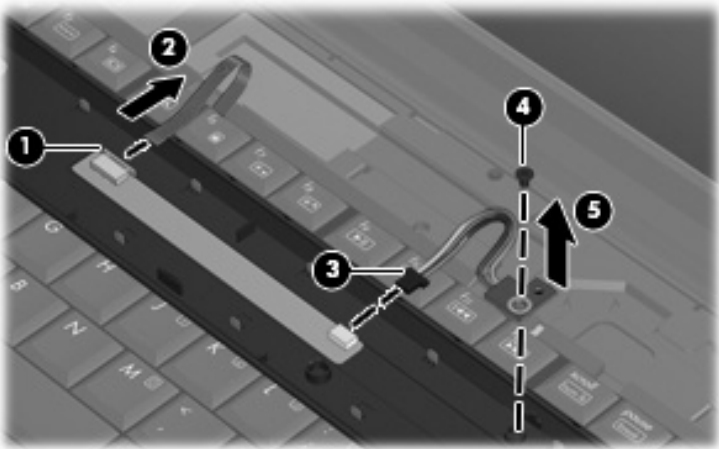
Removing the Switch Cover Screws

5. Turn the computer display-side up with the front toward you.
6. Open the computer as far as possible.
7. Lift the rear edge of the switch cover and swing it forward until it rests on the keyboard.



Releasing the Switch Cover

8. Release the zero insertion force (ZIF) connector **1** to which the LED board cable is connected and disconnect the cable **2** from the LED board.
9. If it is necessary to replace the num lock board, disconnect the num lock board cable **3** from the LED board.
10. Remove the Phillips PM2.0×3.0 screw **4** that secures the num lock board to the switch cover and remove the num lock board **5**.
11. Remove the switch cover.



Removing the Num Lock Board

Reverse the above procedure to install the switch cover and num lock board.

5.11 Keyboard

Keyboard Spare Part Number Information

For use with all computer models in the following countries or regions:

France	441428-051	Spain	441428-071
French Canada	441428-121	The United Kingdom	441428-031
Italy	441428-061	The United States	441428-001
The Netherlands	441428-331		

For use only with computer models using Intel processors in the following countries or regions:

Latin America	441428-161	Taiwan	441428-AB1
Saudi Arabia	441428-171	Thailand	441428-281

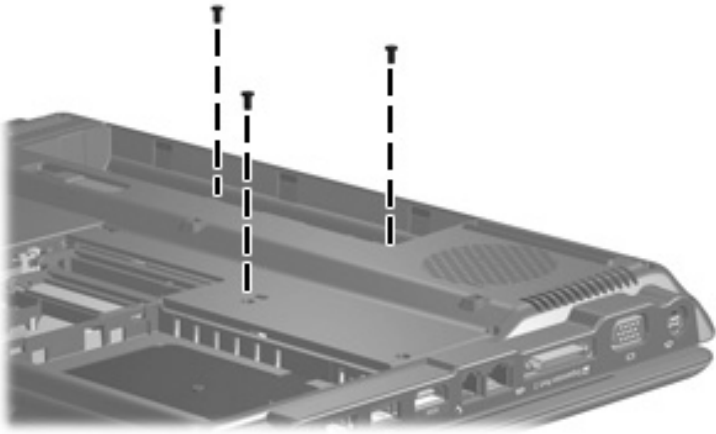
For use only with computer models using AMD processors in the following countries or regions:

Denmark, Finland, Norway, and Sweden	441428-DH1	Korea	441428-AD1
--	------------	-------	------------

For UK OTC ID only	443689-001
--------------------	------------

1. Prepare the computer for disassembly ([Section 5.3](#)).
2. Remove the switch cover ([Section 5.10](#)).

3. Remove the three Phillips PM2.5×7.0 screws that secure the keyboard to the computer.



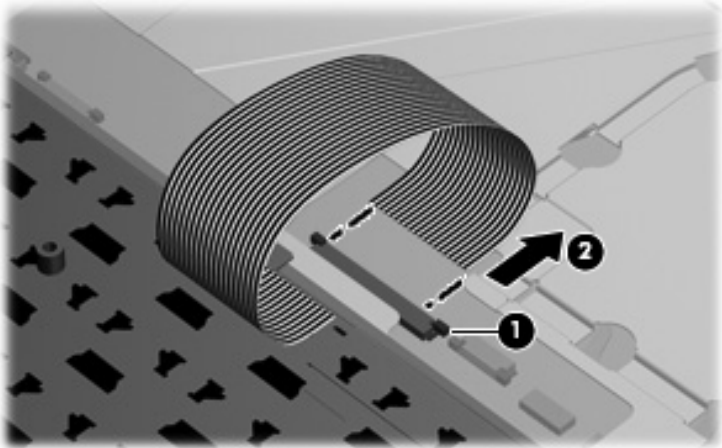
Removing the Keyboard Screws

4. Turn the computer display-side up with the front panel toward you.
5. Open the computer as far as possible.
6. Lift the rear edge of the keyboard ❶ until it rests at an angle.
7. Slide the keyboard ❷ back to disengage the tabs on the front edge of the keyboard from the top cover.
8. Swing the keyboard ❸ forward until it rests on the palm rest.



Releasing the Keyboard

9. Release the ZIF connector **1** to which the keyboard cable is connected and disconnect the keyboard cable **2** from the system board.



Disconnecting the Keyboard Cable

10. Remove the keyboard.

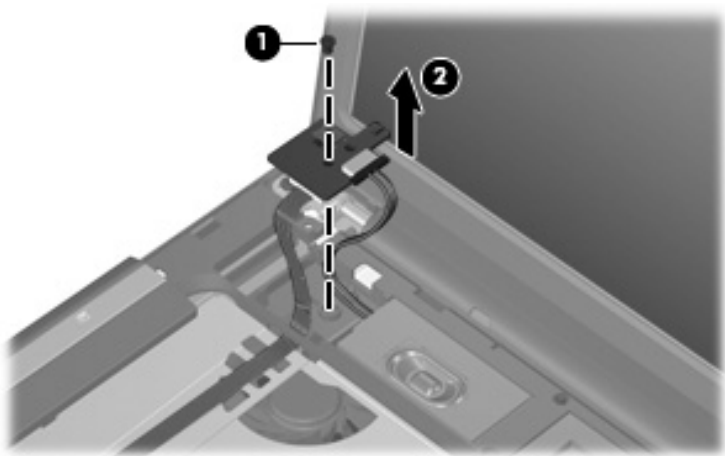
Reverse the above procedure to install the keyboard.

5.12 Power Button Board

Power Button Board Spare Part Number Information

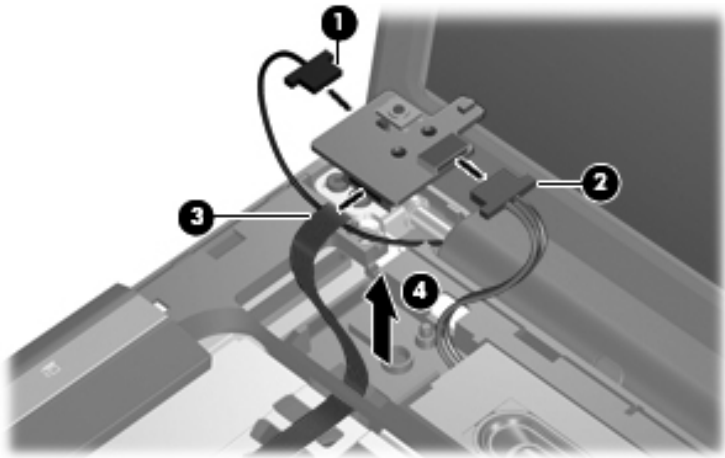
Power button board (includes power button board cable)	431438-001
--	------------

1. Prepare the computer for disassembly ([Section 5.3](#)).
2. Remove the switch cover ([Section 5.10](#)).
3. Remove the keyboard ([Section 5.11](#)).
4. Remove the Phillips PM2.0×3.0 screw **1** that secures the power button board to the computer.
5. Release the power button board **2** from the computer as far as the cables will allow.



Releasing the Power Button Board

6. Disconnect the microphone cable **1** and the speaker assembly cable **2** from the power button board.
7. Release the ZIF connector **3** to which the power button board cable is connected and disconnect the cable.
8. Remove the power button board **4**.



Removing the Power Button Board

Reverse the above procedure to install the power button board.

5.13 Display Assembly

Display Assembly Spare Part Number Information

For use with full-featured computer models (includes microphones)

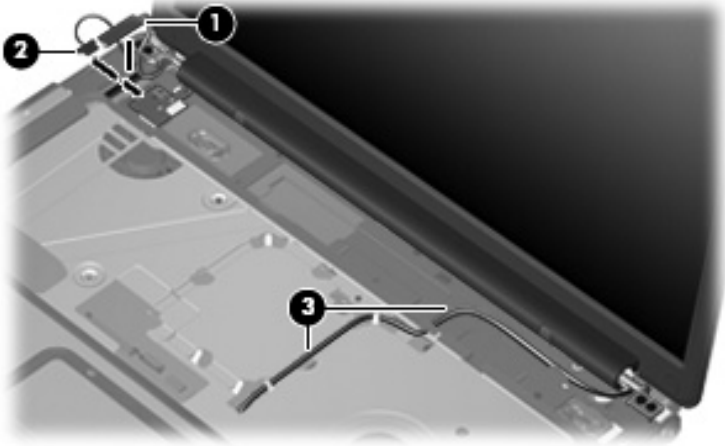
15.4-inch, WXGA, TFT with BrightView	432304-001
15.4-inch, WXGA, TFT Antiglare	432305-001

For use with defeatured computer models (does not include microphones)

15.4-inch, WXGA, TFT with BrightView	432302-001
15.4-inch, WXGA, TFT Antiglare	432303-001

1. Prepare the computer for disassembly ([Section 5.3](#)).
2. Disconnect the Mini Card WLAN antenna cables from the Mini Card WLAN module ([Section 5.8](#)).
3. Remove the switch cover ([Section 5.10](#)).
4. Remove the keyboard ([Section 5.11](#)).

5. Disconnect the display cable **1** from the system board.
6. Disconnect the microphone cable **2** from the power button board.
7. Remove the wireless antenna cables **3** from the clips in the top cover.

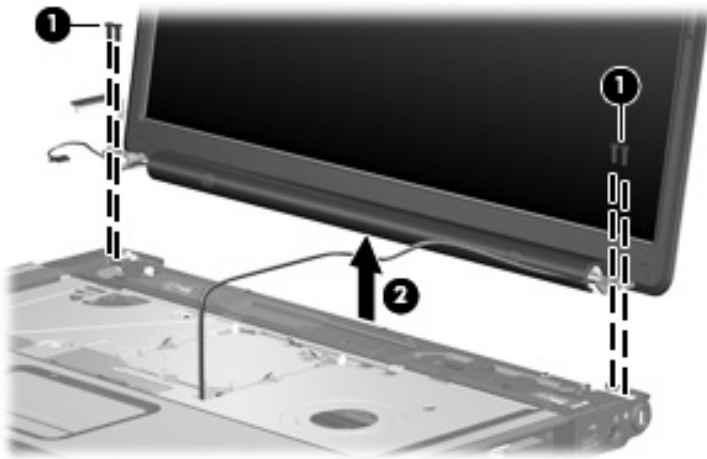


Disconnecting the Display Cables



CAUTION: Support the display assembly when removing the following screws. Failure to support the display assembly can result in damage to the display assembly and other computer components.

8. Remove the four Phillips PM2.5×7.0 screws ❶ that secure the display assembly to the computer.
9. Remove the display assembly ❷.



Removing the Display Assembly

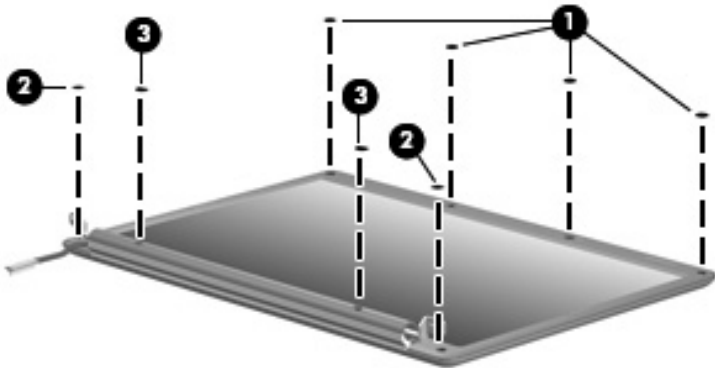
10. Remove the eight rubber screw covers from the display bezel.



There are three different sizes of rubber screw covers on the display bezel:

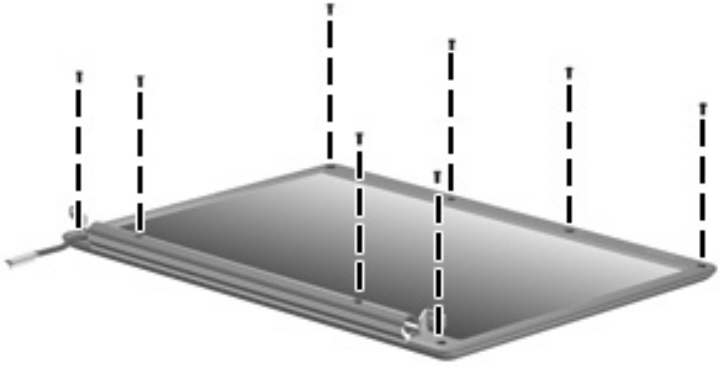
- ❶ Four covers on the top edge of the bezel
- ❷ Two covers on the lower bezel corners
- ❸ Two covers on the lower-inside edge

The display rubber screw covers are included in the Display Screw Kit, spare part number 431400-001.



Removing the Display Bezel Screw Covers

11. Remove the eight Phillips PM2.5×7.0 screws that secure the display bezel to the display assembly.



Removing the Display Bezel Screws

Display Assembly Subcomponents

Spare Part Number Information

Display bezels

For use with full-featured computer models (includes microphone openings)	433283-001
For use with defeatured computer models	433284-001

12. Flex the inside edges of the left and right sides **①** and the top and bottom sides **②** of the display bezel until the bezel disengages from the display enclosure.
13. Remove the display bezel **③**.



Removing the Display Bezel

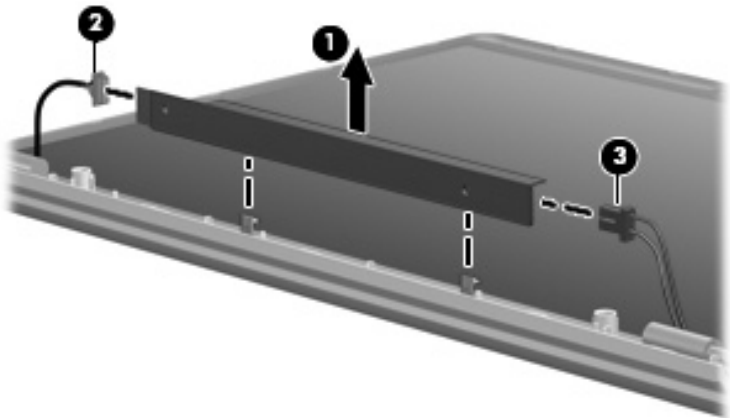
Display Assembly Subcomponents

Spare Part Number Information

Display inverter

431391-001

14. Remove the inverter ❶ from the display enclosure.
15. Disconnect the display cable ❷ and the backlight cable ❸ from the display inverter.



Removing the Display Inverter

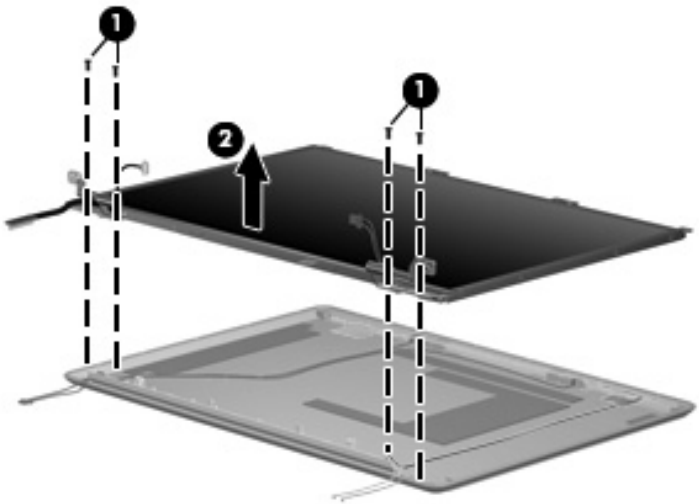
Display Assembly Subcomponents

Spare Part Number Information

Display panels

15.4-inch, WXGA, SVA display panel with BrightView	431386-001
15.4-inch, WXGA, SVA display panel AntiGlare	431387-001

16. Remove the four Phillips PM2.5×5.0 screws ❶ that secure the display panel to the display enclosure.
17. Remove the display panel ❷.



Removing the Display Panel

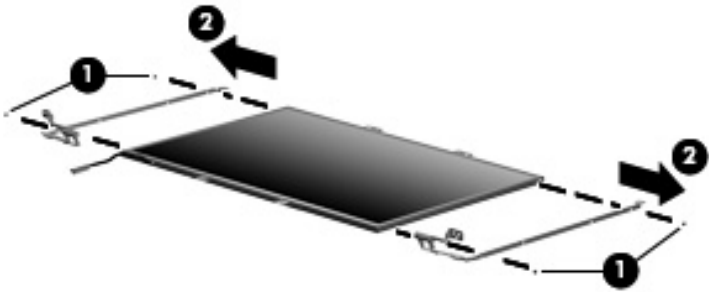
Display Assembly Subcomponents

Spare Part Number Information

Display Hinge Kit

433288-001

18. Remove the two Phillips PM2.0×3.0 screws ❶ that secure each hinge to the display enclosure.
19. Remove the display hinges ❷.



Removing the Display Hinges

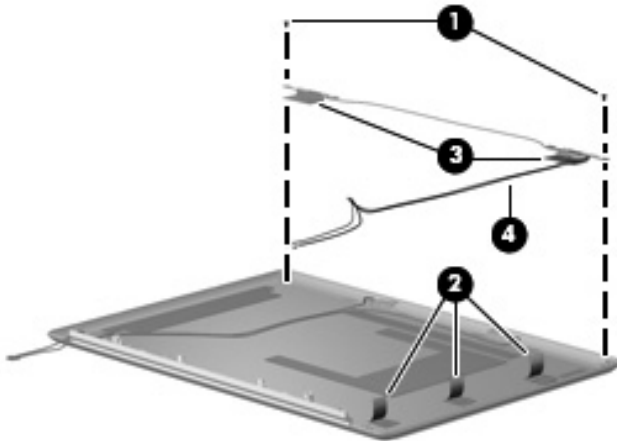
Display Assembly Subcomponents

Spare Part Number Information

Wireless antenna transceivers and cables

431398-001

20. If it is necessary to replace the wireless transceivers and cables, remove the Phillips PM2.0×4.0 screw **1** that secures each transceiver to the display enclosure.
21. Remove the wireless antenna cables from the clips **2** built into the display enclosure.
22. Detach the wireless antenna transceivers **3** from the display enclosure.
23. Remove the wireless antenna cables **4**.



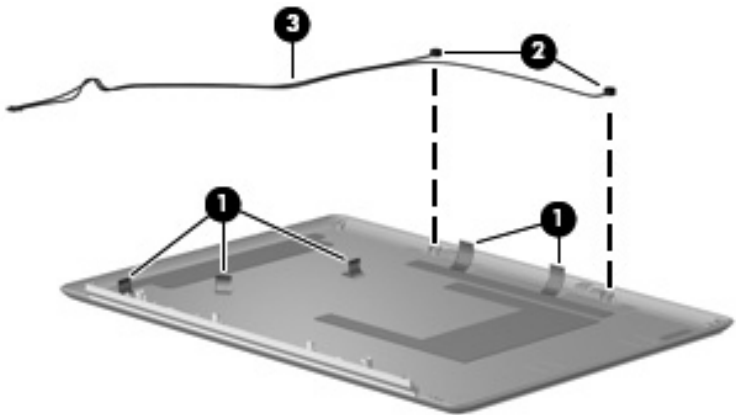
Removing the Wireless Antenna Transceivers and Cables

Display Assembly Subcomponents

Spare Part Number Information

Microphone Kit (includes microphone receivers and cables)	431393-001
---	------------

24. If it is necessary to replace the microphones and cables, release the retention tabs ❶ built into the display enclosure that secure the microphones and cables to the display enclosure.
25. Remove the microphones ❷ from the clips in the display enclosure.
26. Remove the microphone cables ❸ from the display enclosure.



Removing the Microphones

Reverse the above procedure to reassemble and install the display assembly

5.14 Top Cover

Top Cover Spare Part Number Information

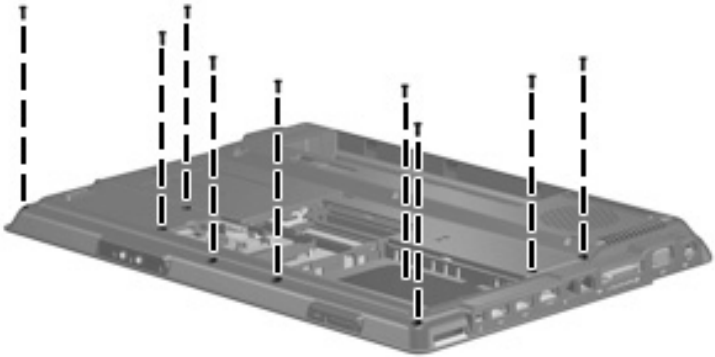
Top covers (include speakers, TouchPad, and TouchPad cable)

For use with full-featured computer models 438186-001

For use with defeatured computer models 431419-001

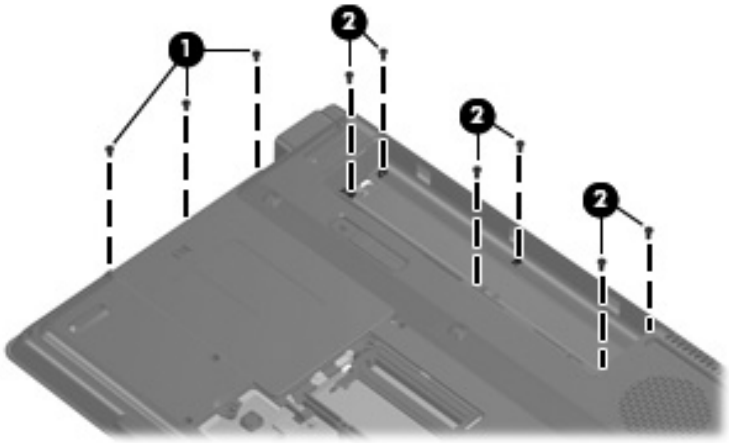
1. Prepare the computer for disassembly ([Section 5.3](#)) and remove the following components:
 - ❑ Hard drive ([Section 5.4](#))
 - ❑ Memory module compartment cover ([Section 5.6](#))
 - ❑ Optical drive ([Section 5.9](#))
 - ❑ Switch cover ([Section 5.10](#))
 - ❑ Keyboard ([Section 5.11](#))
 - ❑ Display assembly ([Section 5.13](#))

2. Turn the computer upside down with the front toward you.
3. Remove the nine Phillips PM2.5×7.0 screws that secure the top cover to the computer.



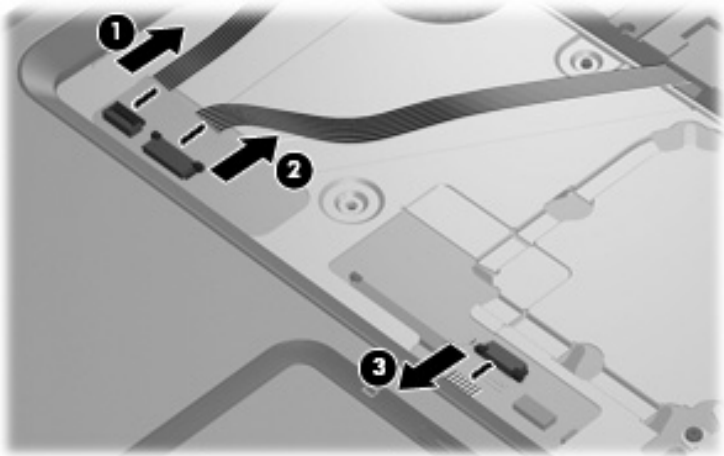
Removing the Top Cover Screws, Part 1

4. Remove the three Phillips PM2.5×4.0 screws ❶ and the six Phillips PM2.5×5.0 screws ❷ that secure the top cover to the computer.



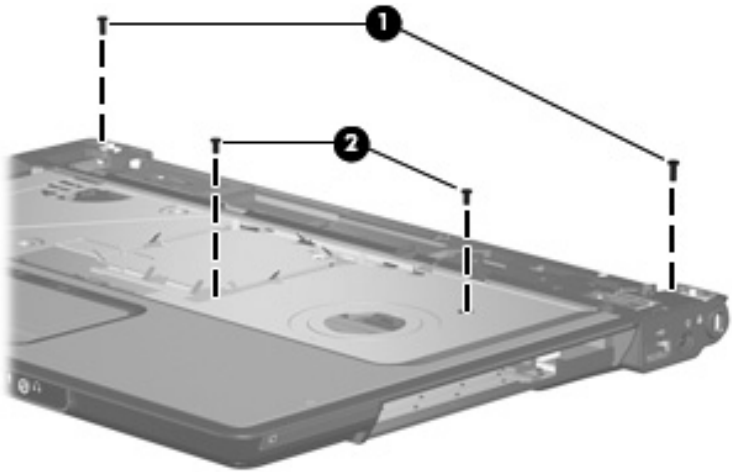
Removing the Top Cover Screws, Part 2

5. Turn the computer right-side up with the front toward you.
6. Release and disconnect the following ZIF cables from the system board:
 - ❶ Power button board cable
 - ❷ LED board cable
 - ❸ TouchPad cable



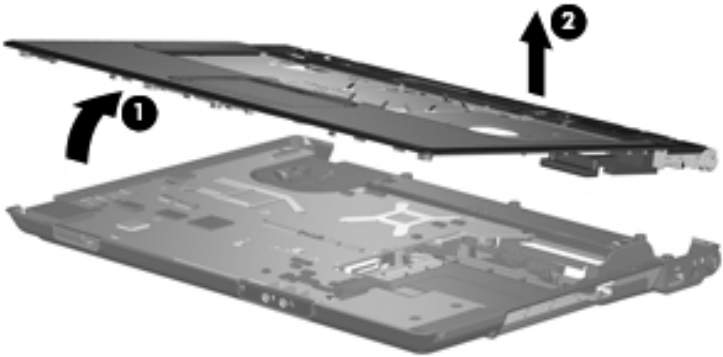
Disconnecting the Top Cover Cables

7. Remove the two Phillips PM2.0×6.0 screws ❶ and the two Phillips PM2.5×5.0 screws ❷ that secure the top cover to the computer.



Removing the Top Cover Screws, Part 3

8. Lift the front edge of the top cover ❶ until it disengages from the computer.
9. Remove the top cover ❷.



Removing the Top Cover

Reverse the above procedure to install the top cover.

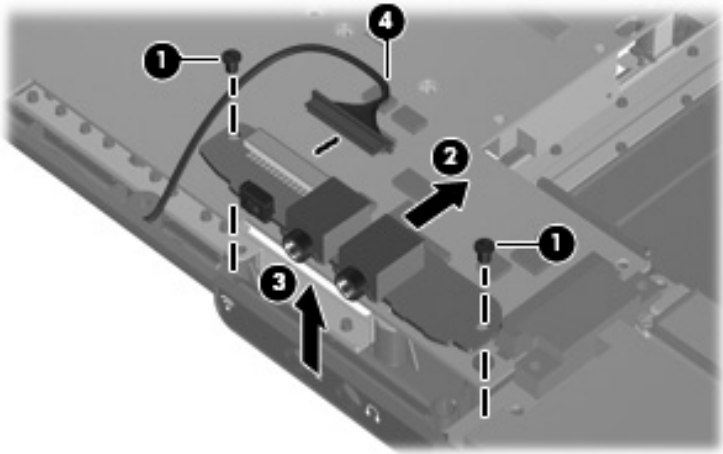
5.15 Audio Board

Audio Board Spare Part Number Information

For use with full-featured computer models (includes infrared lens)	431443-001
For use with defeatured computer models (does not include infrared lens)	431444-001

1. Prepare the computer for disassembly ([Section 5.3](#)) and remove the following components:
 - ❑ Hard drive ([Section 5.4](#))
 - ❑ Memory module compartment cover ([Section 5.6](#))
 - ❑ Optical drive ([Section 5.9](#))
 - ❑ Switch cover ([Section 5.10](#))
 - ❑ Keyboard ([Section 5.11](#))
 - ❑ Display assembly ([Section 5.13](#))
 - ❑ Top cover ([Section 5.14](#))

2. Remove the two Phillips PM2.5×5.0 screws ❶ that secure the audio board to the computer.
3. Slide the audio board ❷ back to disengage the audio connectors from the base enclosure.
4. Remove the audio board ❸.
5. Disconnect the audio board cable ❹ from the audio board.



Removing the Audio Board

Reverse the above procedure to install the audio board.

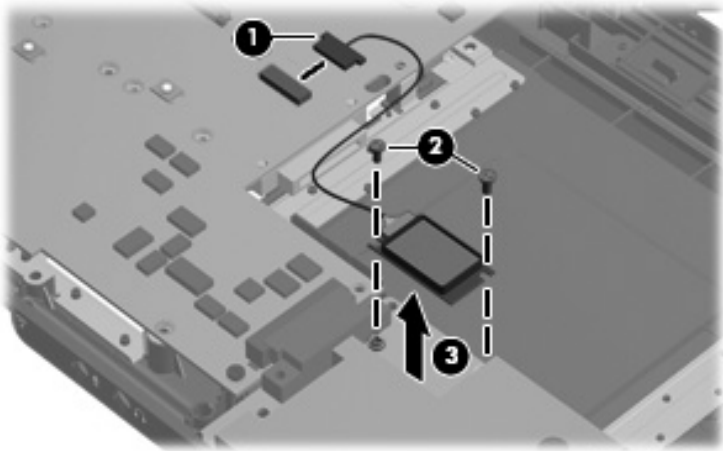
5.16 Bluetooth Module

Bluetooth Module Spare Part Number Information

Bluetooth module (includes Bluetooth module cable)	412766-002
--	------------

1. Prepare the computer for disassembly ([Section 5.3](#)) and remove the following components:
 - ❑ Hard drive ([Section 5.4](#))
 - ❑ Memory module compartment cover ([Section 5.6](#))
 - ❑ Optical drive ([Section 5.9](#))
 - ❑ Switch cover ([Section 5.10](#))
 - ❑ Keyboard ([Section 5.11](#))
 - ❑ Display assembly ([Section 5.13](#))
 - ❑ Top cover ([Section 5.14](#))

2. Disconnect the Bluetooth module cable **1** from the system board.
3. Remove the two Phillips PM2.0×3.0 screws **2** that secure the Bluetooth module to the system board.
4. Remove the Bluetooth module **3**.



Removing the Bluetooth Module

Reverse the above procedure to install the Bluetooth module.

5.17 ExpressCard Assembly

ExpressCard Assembly Spare Part Number Information

ExpressCard assembly

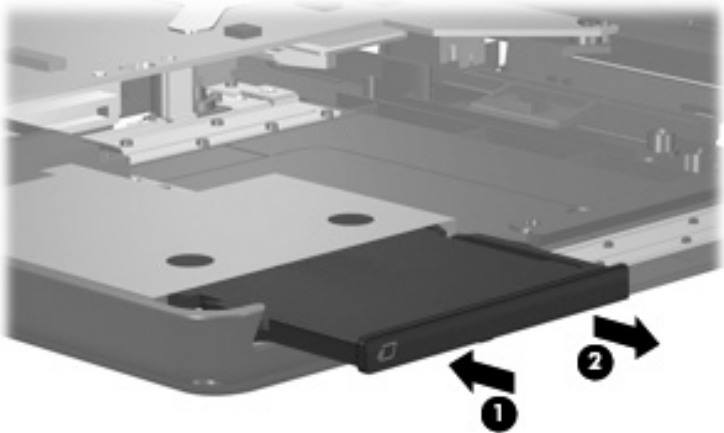
431440-001

1. Prepare the computer for disassembly ([Section 5.3](#)) and remove the following components:
 - ❑ Hard drive ([Section 5.4](#))
 - ❑ Memory module compartment cover ([Section 5.6](#))
 - ❑ Optical drive ([Section 5.9](#))
 - ❑ Switch cover ([Section 5.10](#))
 - ❑ Keyboard ([Section 5.11](#))
 - ❑ Display assembly ([Section 5.13](#))
 - ❑ Top cover ([Section 5.14](#))

2. Push in on the ExpressCard bezel ❶ to release the bezel from the ExpressCard slot.
3. Remove the ExpressCard bezel ❷ from the ExpressCard slot.

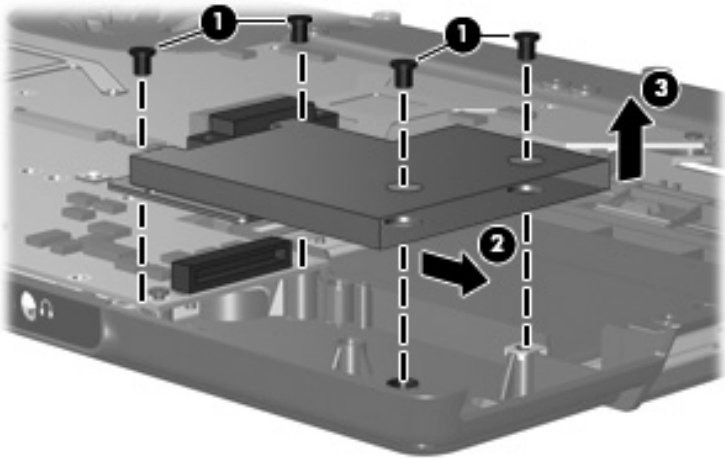


The ExpressCard bezel is included in the Plastics Kit, spare part number 438669-001.



Removing the ExpressCard Slot Bezel

4. Remove the four Phillips PM2.5×4.0 screws ❶ that secure the ExpressCard assembly to the system board.
5. Slide the ExpressCard assembly ❷ to the right to disconnect it from the system board.
6. Remove the ExpressCard assembly ❸.



Removing the ExpressCard Assembly

Reverse the above procedure to install the ExpressCard assembly.

5.18 USB/Power Connector Board

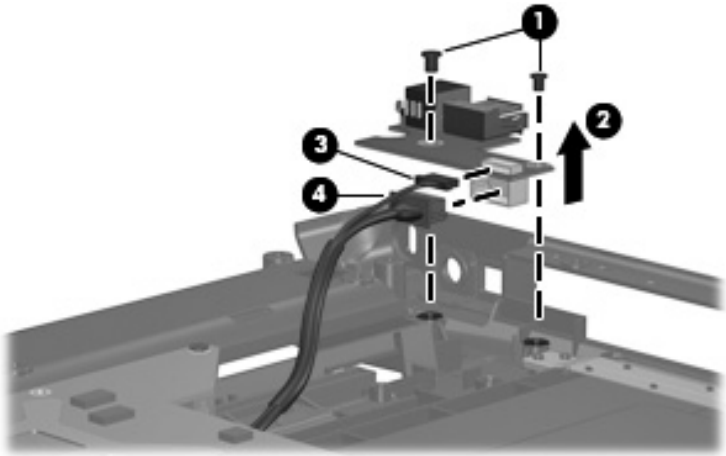
USB/Power Connector Board Spare Part Number Information

USB/power connector boards (include USB/power connector board cable)

For use with 90-W AC adapters	431446-001
For use with 65-W AC adapters	431445-001

1. Prepare the computer for disassembly ([Section 5.3](#)) and remove the following components:
 - Hard drive ([Section 5.4](#))
 - Memory module compartment cover ([Section 5.6](#))
 - Optical drive ([Section 5.9](#))
 - Switch cover ([Section 5.10](#))
 - Keyboard ([Section 5.11](#))
 - Display assembly ([Section 5.13](#))
 - Top cover ([Section 5.14](#))

2. Remove the two Phillips PM2.5×5.0 screws ❶ that secure the USB/power connector board to the computer.
3. Release the USB/power connector board ❷ as far as the USB/power connector board cable will allow.
4. Disconnect the USB board cable ❸ and the power connector board cable ❹ from the USB/power connector board.



Removing the USB/Power Connector Board

5. Remove the USB/power connector board.

Reverse the above procedure to install the USB/power connector board.

5.19 System Board

System Board Spare Part Number Information

945GM - For use only with full-featured computer models using Intel processors	434725-001
940GML - For use only with defeatured computer models using Intel processors	434726-001
943GM - For use only with defeatured computer models	444479-001
945PM - EMEA (Germany) only	441677-001
For use only with full-featured computer models using AMD processors	431364-001
For use only with defeatured computer models using AMD processors	431365-001

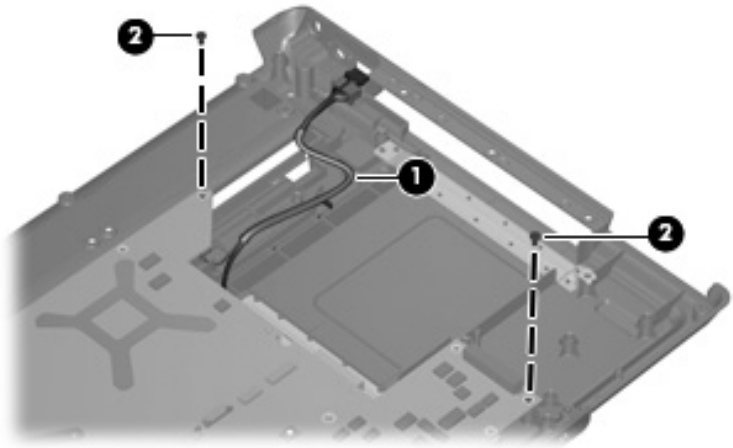


When replacing the system board, ensure that the following components are removed from the defective system board and installed on the replacement system board:

- Memory modules ([Section 5.6](#))
- RTC battery ([Section 5.7](#))
- Mini Card module ([Section 5.8](#))
- Bluetooth module ([Section 5.16](#))
- ExpressCard assembly ([Section 5.17](#))
- Fan/heat sink assembly ([Section 5.20](#))
- Processor ([Section 5.21](#))

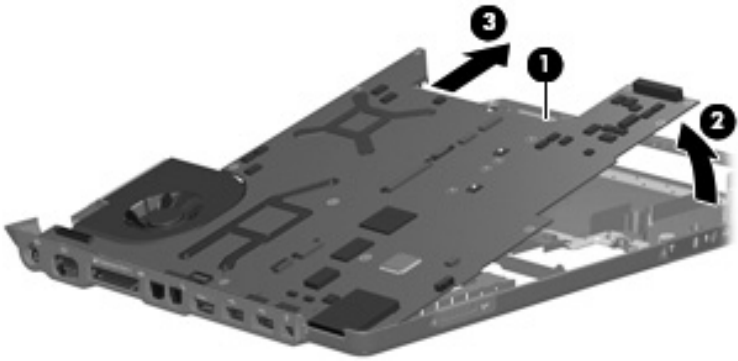
1. Prepare the computer for disassembly ([Section 5.3](#)) and remove the following components:
 - Hard drive ([Section 5.4](#))
 - Optical drive ([Section 5.9](#))
 - Switch cover ([Section 5.10](#))
 - Keyboard ([Section 5.11](#))
 - Display assembly ([Section 5.13](#))
 - Top cover ([Section 5.14](#))

- ❑ Audio board ([Section 5.15](#))
 - ❑ USB/power connector board ([Section 5.18](#))
2. Remove the USB/power connector board cable **1** from the clips in the base enclosure.
 3. Remove the two Phillips PM2.5×4.0 screws **2** that secure the system board to the base enclosure.



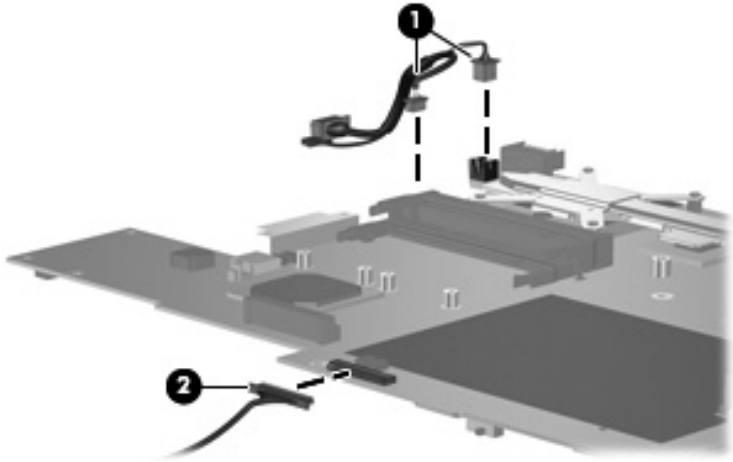
Removing the System Board Screws

4. Use the optical drive connector ❶ to lift the right side of the system board ❷ until it rests at an angle.
5. Slide the system board ❸ to the right until the connectors on the left side of the system board disengage from the base enclosure.
6. Remove the system board.



Removing the System Board

7. If it is necessary to replace the USB/power connector board cable or the audio board cable, turn the system board upside down with the front toward you.
8. Disconnect the USB/power connector board cable ❶ and the audio board cable ❷ from the system board.



Removing the System Board Cables

Reverse the above procedure to install the system board, USB/power connector board cable, and audio board cable.

5.20 Fan/Heat Sink Assembly

Fan/Heat Sink Assembly Spare Part Number Information

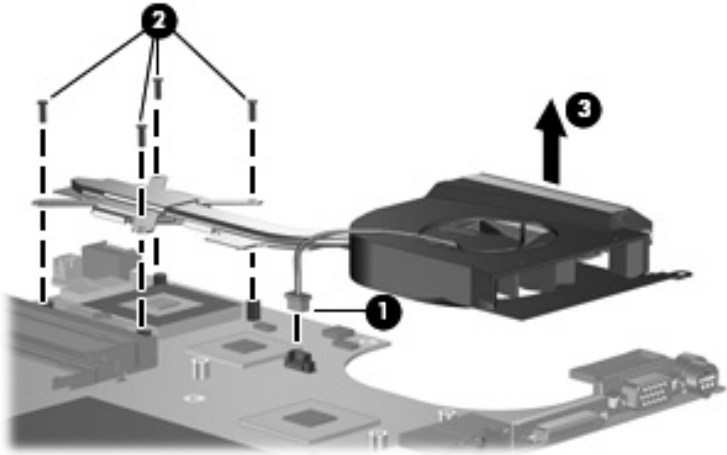
Fan/heat sink assembly for use only with computer models using AMD processors	431450-001
Fan/heat sink assembly for use only with computer models using Intel processors	434746-001



When replacing the fan/heat sink assembly, be sure the power button board is removed from the defective fan/heat sink assembly and installed on the replacement fan/heat sink assembly. Refer to [Section 5.12, “Power Button Board,”](#) for power button board removal information.

1. Prepare the computer for disassembly ([Section 5.3](#)) and remove the following components:
 - Hard drive ([Section 5.4](#))
 - Memory module compartment cover ([Section 5.6](#))
 - Optical drive ([Section 5.9](#))
 - Switch cover ([Section 5.10](#))
 - Keyboard ([Section 5.11](#))
 - Display assembly ([Section 5.13](#))
 - Top cover ([Section 5.14](#))
 - System board ([Section 5.19](#))
2. Turn the system board upside down with the expansion port 3 and external monitor port toward you.

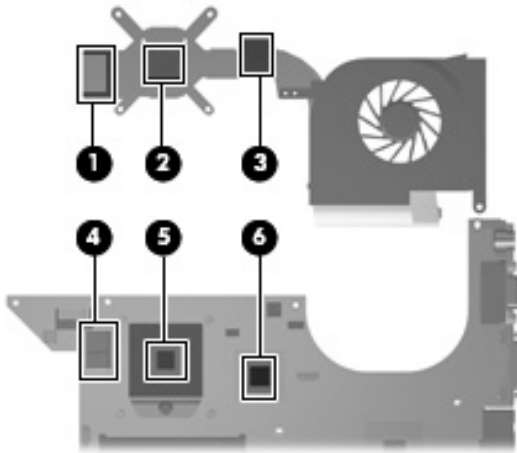
3. Disconnect the fan cable **1** from the system board.
4. Remove the four Phillips PM2.5×5.0 screws **2** that secure the fan/heat sink assembly to the system board.
5. Remove the fan/heat sink assembly **3**.



Removing the Fan/Heat Sink Assembly



The thermal pads and thermal paste should be thoroughly cleaned from the surfaces of the fan/heat sink assembly ①, ②, and ③, the system board components ④ and ⑥, and the processor ⑤ each time the fan/heat sink assembly is removed. Thermal pads and thermal paste should be installed on all surfaces before the fan/heat sink assembly is reinstalled. Thermal pads and thermal paste are included with all fan/heat sink assembly, system board, and processor spare part kits.



Thermal Pad and Thermal Paste Locations

Reverse the above procedure to install the fan/heat sink assembly.

5.21 Processor

Processor Spare Part Number Information

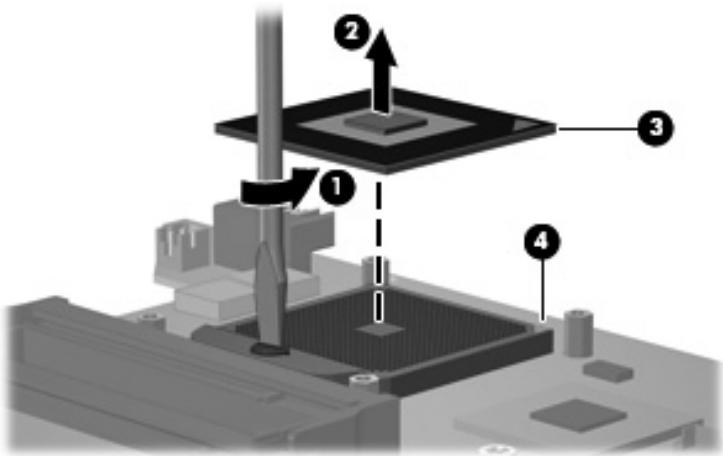
Intel Core Duo T7200 (2.00-GHz)	434730-001
Intel Core Duo T1350 (1.86-GHz)	430896-001
Intel Core Duo T5600 (1.83-GHz)	434731-001
Intel Core Duo T2350 (1.60-GHz), for use with V6200 models	441762-001
Intel Core Duo T2250 (1.73-GHz)	430897-001
Intel Core Duo T5500 (1.66-GHz)	436157-001
Intel Core Duo T5200 (1.66-GHz), for use with V6200 models	436900-001
Intel Core Duo T2060 (1.60-GHz), for use with V6200 models	441763-001
Intel Core Duo T2050 (1.60-GHz)	430898-001
<hr/>	
Intel Celeron 440 (1.86-GHz), for use with V6200 models	441761-001
Intel Celeron 430 (1.73-GHz)	436159-001
Intel Celeron 420 (1.60-GHz)	434735-001
<hr/>	
AMD Turion ML-60 (2.0-GHz)	436257-001
AMD Turion ML-56 (1.8-GHz)	431373-001
AMD Turion ML-52 (1.6-GHz)	431372-001
AMD Turion ML-50 (1.6-GHz)	431371-001
<hr/>	
Mobile AMD Sempron 3500+ (1.8-GHz)	434414-001
Mobile AMD Sempron 3400+ (1.8-GHz)	431375-001
Mobile AMD Sempron 3200+ (1.6-GHz)	431374-001

1. Prepare the computer for disassembly ([Section 5.3](#)) and remove the following components:
 - ❑ Hard drive ([Section 5.4](#))
 - ❑ Memory module compartment cover ([Section 5.6](#))
 - ❑ Optical drive ([Section 5.9](#))
 - ❑ Switch cover ([Section 5.10](#))
 - ❑ Keyboard ([Section 5.11](#))
 - ❑ Display assembly ([Section 5.13](#))
 - ❑ Top cover ([Section 5.14](#))
 - ❑ System board ([Section 5.19](#))
 - ❑ Fan/heat sink assembly ([Section 5.20](#))

2. Turn the processor locking screw **1** one-half turn counterclockwise until you hear a click.
3. Lift the processor **2** straight up and remove it.



The gold triangle **3** on the processor should be aligned with the triangle icon **4** embossed on the processor socket when you install the processor.



Removing the Processor

Reverse the above procedure to install the processor.

6

Specifications

This chapter provides physical and performance specifications.

Table 6-1
Computer

Dimensions		
Length	35.7 cm	14.05 in
Width	25.7 cm	10.12 in
Height (varies front to rear)	4.1 cm	1.57 in
Weight (varies by configuration)	2.7 kg	5.8 lb
Stand-alone power requirements		
Operating voltage	18.5 V dc —19.0 V dc	
Operating current	3.5 A or 4.74 A	
Temperature		
Operating*	5°C to 35°C	41°F to 95°F
Nonoperating	-20°C to 60°C	-4°F to 140°F
Relative humidity (noncondensing)		
Operating	10% to 90%	
Nonoperating	5% to 95%, 38.7°C (101.6°F) maximum wet bulb temperature	
Maximum altitude (unpressurized)		
Operating (14.7 to 10.1 psia)	-15 m to 3,048 m	-50 ft to 10,000 ft
Nonoperating (14.7 to 4.4 psia)	-15 m to 12,192 m	-50 ft to 40,000 ft

Table 6-1
Computer (Continued)

Shock

Operating	125 g, 2 ms, half-sine
Nonoperating	200 g, 2 ms, half-sine

Random Vibration

Operating	0.75 g zero-to-peak, 10 Hz to 500 Hz, 0.25 oct/min sweep rate
Nonoperating	1.50 g zero-to-peak, 10 Hz to 500 Hz, 0.5 oct/min sweep rate

*Applicable product safety standards specify thermal limits for plastic surfaces. The computer operates well within this range of temperatures.

Table 6-2
15.4-inch, WXGA, SVA Display

Dimensions		
Height	20.7 cm	8.15 in
Width	33.1 cm	13.03 in
Diagonal	39.1 cm	15.39 in
Number of colors	Up to 16.8 million	
Contrast ratio	200:1	
Brightness	160 nits typical	
Pixel resolution		
Pitch	0.259 × 0.259 mm	
Format	1280 × 800	
Configuration	RGB vertical stripe	
Backlight	Edge lit	
Character display	80 × 25	
Total power consumption	4 W	
Viewing angle	+/-65° horizontal, +/-50° vertical typical	

Table 6-3
Hard Drives

	200-GB*	160-GB*
Dimensions		
Height	9.5 mm	9.5 mm
Width	70 mm	70 mm
Weight	99 g	102 g
Interface type		
	ATA-7	ATA-7
Transfer rate		
Synchronous (maximum)	150 MB/sec	150 MB/sec
Security	ATA security	ATA security
Seek times (typical read, including setting)		
Single track	2 ms	2 ms
Average	12ms	12 ms
Maximum	22 ms	21 ms
Logical blocks [†]		
	390,721,968	312,581,808
Disk rotational speed		
	4200 rpm	5400 rpm
Operating temperature		
	0°C to 60°C (32°F to 140°F)	5°C to 60°C (41°F to 140°F)



Certain restrictions and exclusions apply. For details, consult technical support by selecting **Start > Help and Support > Contact support**.

*1 GB = 1 billion bytes when referring to hard drive storage capacity. Accessible capacity is less. Actual drive specifications may differ slightly.

Table 6-3
Hard Drives (Continued)


	120-GB*	100-GB*
Dimensions		
Height	9.5 mm	9.5 mm
Width	70 mm	70 mm
Weight	102 g	102 g
Interface type	ATA-5	ATA-5
Transfer rate		
Synchronous (maximum)	100 MB/sec	100 MB/sec
Security	ATA security	ATA security
Seek times (typical read, including setting)		
Single track	3 ms	3 ms
Average	13 ms	13 ms
Maximum	24 ms	24 ms
Logical blocks [†]	234,433,260	195,364,233
Disk rotational speed	5400 rpm	
Operating temperature	5°C to 55°C (41°F to 131°F)	
 Certain restrictions and exclusions apply. For details, consult technical support by selecting Start > Help and Support > Contact support .		
*1 GB = 1 billion bytes when referring to hard drive storage capacity. Accessible capacity is less. Actual drive specifications may differ slightly.		

Table 6-3
Hard Drives (Continued)

	80-GB*	60-GB*	40-GB*
Dimensions			
Height	9.5 mm	9.5 mm	9.5 mm
Width	70 mm	70 mm	70 mm
Weight	99 g	99 g	99 g
Interface type	ATA-5	ATA-5	ATA-5
Transfer rate			
Synchronous (maximum)	100 MB/sec	100 MB/sec	100 MB/sec
Security	ATA security	ATA security	ATA security
Seek times (typical read, including setting)			
Single track	3 ms	3 ms	3 ms
Average	13 ms	13 ms	13 ms
Maximum	24 ms	24 ms	24 ms
Logical blocks[†]	156,301,488	117,210,240	78,140,160
Disk rotational speed	5400 rpm		
Operating temperature	5°C to 55°C (41°F to 131°F)		



Certain restrictions and exclusions apply. For details, consult technical support by selecting **Start > Help and Support > Contact support**.

*1 GB = 1 billion bytes when referring to hard drive storage capacity. Accessible capacity is less. Actual drive specifications may differ slightly.

Table 6-4
Primary 6-cell, Li-Ion Battery

Dimensions

Height	2.00 cm	0.79 in
Width	9.40 cm	3.70 in
Depth	13.40 cm	5.28 in
Weight	0.34 kg	0.75 lb

Energy

Voltage	11.1 V
Amp-hour capacity	4.4 Ah
Watt-hour capacity	48 Wh

Temperature

Operating	5°C to 45°C	41°F to 113°F
Nonoperating	0°C to 60°C	32°F to 140°F

Table 6-5
DVD/CD-RW Combo Drive

Applicable disc	Read:	Write:
	DVD-R, DVD-RW, DVD-ROM (DVD-5, DVD-9, DVD-10, DVD-18), CD-ROM (Mode 1 and 2) CD Digital Audio CD-XA ready (Mode 2, Form 1 and 2) CD-I ready (Mode 2, Form 1 and 2) CD-R, CD-RW Photo CD (single and multisession) CD-Bridge	CD-R and CD-RW
Center hole diameter	1.5 cm (0.59 in)	
Disc diameter		
Standard disc	12 cm (4.72 in)	
Mini disc	8 cm (3.15 in)	

Table 6-5
DVD/CD-RW Combo Drive (Continued)

Disc thickness	1.2 mm (0.047 in)	
Track pitch	0.74 μ m	
Access time	CD media	DVD media
Random	< 110 ms	< 130 ms
Full stroke	< 210 ms	< 225 ms
Audio output level	Line-out, 0.7 V rms	
Cache buffer	2 MB	
Data transfer rate		
CD-R (24X)	3600 KB/s (150 KB/s at 1X CD rate)	
CD-RW (10X)	1500 KB/s (150 KB/s at 1X CD rate)	
CD-ROM (24X)	3600 KB/s (150 KB/s at 1X CD rate)	
DVD (8X)	10,800 KB/s (1352 KB/s at 1X DVD rate)	
Multiword DMA mode 2	16.6 MB/s	
Startup time	< 15 seconds	
Stop time	< 6 seconds	

Table 6-6
DVD±RW/R and
CD-RW Double-Layer Combo Drive

Applicable disc	Read:	Write:
	DVD-R, DVD-RW, DVD-ROM (DVD-5, DVD-9, DVD-10, DVD-18), CD-ROM (Mode 1 and 2) CD Digital Audio CD-XA ready (Mode 2, Form 1 and 2) CD-I ready (Mode 2, Form 1 and 2) CD-R, CD-RW Photo CD (single and multisession) CD-Bridge	CD-R and CD-RW DVD-R and DVD-RW
Center hole diameter	1.5 cm (0.59 in)	
Disc diameter		
Standard disc	12 cm (4.72 in)	
Mini disc	8 cm (3.15 in)	

Table 6-6
DVD±RW/R and
CD-RW Double-Layer Combo Drive (Continued)

Disc thickness	1.2 mm (0.047 in)	
Track pitch	0.74 μm	
Access time	CD media	DVD media
Random	< 175 ms	< 230 ms
Full stroke	< 285 ms	< 335 ms
Audio output level	Audio-out, 0.7 Vrms	
Cache buffer	2 MB	
Data transfer rate		
CD-R (16X)	2,400 KB/s (150 KB/s at 1X CD rate)	
CD-RW (8X)	1,200 KB/s (150 KB/s at 1X CD rate)	
CD-ROM (24X)	3,600 KB/s (150 KB/s at 1X CD rate)	
DVD (8X)	10,800 KB/s (1,352 KB/s at 1X DVD rate)	
DVD-R (4X)	5,400 KB/s (1,352 KB/s at 1X DVD rate)	
DVD-RW (2X)	2,700 KB/s (1,352 KB/s at 1X DVD rate)	
Multiword DMA mode 2	16.6 MB/s	
Startup time	< 15 seconds	
Stop time	< 6 seconds	

Table 6-7
System DMA

Hardware DMA	System Function
DMA0	Not applicable
DMA1	Not applicable
DMA2	Not applicable
DMA3	Not applicable
DMA4	Direct memory access controller
DMA5	Available for ExpressCard
DMA6	Not assigned
DMA7	Not assigned

Table 6-8
System Interrupts

Hardware IRQ	System Function
IRQ0	System timer
IRQ1	Quick Launch buttons
IRQ2	Cascaded
IRQ3	USB2 Enhanced Host Controller—24CD
IRQ4	COM1
IRQ5*	Conexant AC—Link Audio SMBus Controller—24C3 Data Fax Modem with SmartCP
IRQ6	Diskette drive
IRQ7*	Parallel port
IRQ8	System CMOS/real-time clock
IRQ9*	Microsoft ACPI-compliant system
IRQ10*	USB UHCI controller—24C2 GM/GME Graphic Controller Realtek RTL8139 Family PCI fast Ethernet Controller
IRQ11	USB EHCI controller—24CD USB UHCI controller—24C4 USB UHCI controller—24C7 Pro/Wireless 2200BG TI OHCI 1394 host controller TI PCI1410 CardBus controller

*Default configuration

 ExpressCard may assert IRQ3, IRQ4, IRQ5, IRQ7, or IRQ20.

Table 6-8
System Interrupts (Continued)

Hardware IRQ	System Function
IRQ12	Synaptics PS/2 port pointing device
IRQ13	Numeric data processor
IRQ14	Primary IDE channel
IRQ15	Secondary IDE channel
IRQ17	Conexant AC -Link Audio
IRQ17	Soft V90 Data Fax Modem with SmartCP
IRQ17	ATi Mobility Radeon Xpress 200 Series
IRQ19	Standard Enhanced PCI to USB Host Controller
IRQ19	Standard OpenHCD USB Host Controller
IRQ19	Standard OpenHCD USB Host Controller
IRQ20	TI 6411 PCIxx21/x515 Cardbus Controller
IRQ20	TI OHCI Compliant IEEE 1394 Host Controller
IRQ21	TI Integrated PCIxx21 FlashMedia Controller
IRQ21	Broadcom 802.11b/g WLAN
IRQ21	Microsoft ACPI-compliant system
IRQ22	Realtek RTL8100CL Family PCI fast Ethernet Controller
IRQ23	SDA Standard Compliant SD Host Controller

*Default configuration



ExpressCard may assert IRQ3, IRQ4, IRQ5, IRQ7, or IRQ20.

Table 6-9
System I/O Addresses

I/O Address (hex)	System Function (shipping configuration)
0x00000000-0x00000CF7	PCI bus
0x00000000-0x00000CF7	Direct memory access controller
0x00000020-0x00000021	Programmable interrupt controller
0x0000002E-0x0000002F	System board resources
0x00000040-0x00000043	System timer
0x00000060-0x00000060	Quick Launch Buttons
0x00000061-0x00000061	System speaker
0x00000062-0x00000062	Microsoft ACPI-Compliant Embedded Controller
0x00000064-0x00000064	Quick Launch Buttons
0x00000066-0x00000066	Microsoft ACPI-Compliant Embedded Controller
0x00000070-0x00000071	System CMOS/real time clock
0x00000072-0x00000073	System board resources
0x00000080-0x0000008F	Direct memory access controller
0x00000092-0x00000092	System board resources
0x000000A0-0x000000A1	Programmable interrupt controller
0x000000B0-0x000000B1	System board resources
0x000000C0-0x000000DF	Direct memory access controller
0x000000F0-0x000000FE	Numeric data processor
0x00000170-0x00000177	Secondary IDE Channel

Table 6-9
System I/O Addresses (Continued)

I/O Address (hex)	System Function (shipping configuration)
0x000001F0-0x000001F7	Primary IDE Channel
0x00000220-0x0000022F	System board resources
0x00000274-0x00000277	ISAPNP Read Data Port
0x00000279-0x00000279	ISAPNP Read Data Port
0x00000280-0x00000293	System board resources
0x00000376-0x00000376	Secondary IDE Channel
0x000003B0-0x000003BB	PCI standard PCI-to-PCI bridge
0x000003B0-0x000003BB	ATI MOBILITY RADEON Xpress 200 Series
0x000003C0-0x000003DF	PCI standard PCI-to-PCI bridge
0x000003C0-0x000003DF	ATI MOBILITY RADEON Xpress 200 Series
0x000003F6-0x000003F6	Primary IDE Channel
0x0000040B-0x0000040B	System board resources
0x000004D0-0x000004D1	System board resources
0x000004D6-0x000004D6	System board resources
0x00000530-0x00000537	System board resources
0x00000870-0x0000087F	System board resources
0x00000A79-0x00000A79	ISAPNP Read Data Port
0x00000C00-0x00000C01	System board resources
0x00000C14-0x00000C14	System board resources
0x00000C50-0x00000C52	System board resources
0x00000C6C-0x00000C6C	System board resources

Table 6-9
System I/O Addresses (Continued)

I/O Address (hex)	System Function (shipping configuration)
0x00000C6F-0x00000C6F	System board resources
0x00000CD4-0x00000CD5	System board resources
0x00000CD6-0x00000CD7	System board resources
0x00000CD8-0x00000CDF	System board resources
0x00000D00-0x0000FFFF	PCI bus
0x00000F40-0x00000F47	System board resources
0x00001080-0x00001080	System board resources
0x00008000-0x0000805F	System board resources
0x00008100-0x000081FF	System board resources
0x00008400-0x0000840F	ATI SMBus
0x00008410-0x0000841F	Standard Dual Channel PCI IDE Controller
0x00009000-0x00009FFF	PCI standard PCI-to-PCI bridge
0x00009000-0x00009FFF	ATI MOBILITY RADEON Xpress 200 Series
0x0000A000-0x0000A0FF	Realtek RTL8139/810x Family Fast Ethernet NIC
0x0000F000-0x0000FFFF	PCI standard PCI-to-PCI bridge
0x0000FD00-0x0000FDFF	Texas Instruments PC1xx21/x515 Cardbus Controller
0x0000FE00-0x0000FEFF	Texas Instruments PC1xx21/x515 Cardbus Controller

Table 6-10
System Memory Map

Memory Map Address (hex)	System Function (shipping configuration)
0xD4100000-0xD41FFFFFF	PCI standard PCI-to-PCI bridge
0xD4100000-0xD41FFFFFF	ATI MOBILITY RADEON Xpress 200 Series
0xD8000000-0xDBFFFFFFF	PCI standard PCI-to-PCI bridge
0xD8000000-0xDBFFFFFFF	ATI MOBILITY RADEON Xpress 200 Series
0xFAC00000-0xFEBFFFFFF	PCI standard PCI-to-PCI bridge
0xF6C00000-0xFABFFFFFF	PCI standard PCI-to-PCI bridge
0xD4000000-0xD400FFF	Standard OpenHCD USB Host Controller
0xD4001000-0xD4001FFF	Standard OpenHCD USB Host Controller
0xD4002000-0xD4002FFF	Standard Enhanced PCI to USB Host Controller
0xD4003000-0xD40033FF	ATI SMBus
0xFFFF80000-0xFFFFFFFF	System board
0xE0000000-0xE03FFFFFF	System board
0xE0000000-0xE03FFFFFF	System board resources
0x0000-0x0FFF	System board
0xD4208000-0xD42087FF	Texas Instruments OHCI Compliant IEEE 1394 Host Controller
0xD4200000-0xD4203FFF	Texas Instruments OHCI Compliant IEEE 1394 Host Controller
0xD4204000-0xD4205FFF	Broadcom 802.11b/g WLAN
0xFFE0000-0xFFE00000	Texas Instruments PC1x21/x515 Cardbus Controller
0xFFE0000-0xFFE00000	Texas Instruments PC1x21/x515 Cardbus Controller

Table 6-10
System Memory Map (Continued)

Memory Map Address (hex)	System Function (shipping configuration)
0xF2C00000-0xF6BFFFFFF	Texas Instruments PCIxx21/x515 Cardbus Controller
0xD4206000-0xD4207FFF	Texas Instruments PCIxx21 Integrated FlashMedia Controller
0xD4209000-0xD42090FF	SDA Standard Compliant SD Host Controller
0xD4208C00-0xD4208CFF	SDA Standard Compliant SD Host Controller
0xD4208800-0xD42088FF	SDA Standard Compliant SD Host Controller
0xD4209400-0xD42094FF	Realtek RTL8139/810x Family Fast Ethernet NIC
0xD4003400-0xD40034FF	Conexant AC-Link Audio
0xD4003800-0xD40038FF	SoftV90 Data Fax Modem with SmartCP
0xFEC00000-0xFEC00FFF	System board resources
0xFEE00000-0xFEE00FFF	System board resources
0xA0000-0xBFFFFFF	PCI bus
0xA0000-0xBFFFFFF	PCI standard PCI-to-PCI bridge
0xA0000-0xBFFFFFF	ATI MOBILITY RADEON Xpress 200 Series
0xD6000-0xD7FFF	PCI bus
0xDC000-0xDDFFF	PCI bus
0xDD000-0xDDFFF	Texas Instruments PCIxx21/x515 Cardbus Controller
0xE0000-0xFFFFF	System board
0x40000000-0xFFFFFFFF	PCI bus

A

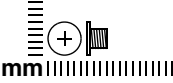
Screw Listing

This appendix provides specification and reference information for the screws used in the computer.

The four Phillips PM3.0×3.0 screws (Table A-1) used to secure the hard drive bracket to the hard drive.

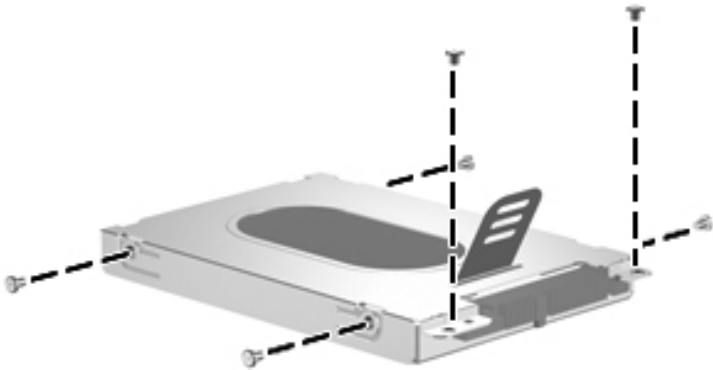
The remainder of the screws listed in this appendix are available in the Screw Kits, spare part numbers 434983-001 (for use with computers using Intel processors) and the Display Screw Kit, spare part number 431400-001.

Table A-1
Phillips PM3.0x3.0 Screw

	Color	Qty.	Length	Thread	Head Width
	Silver	6	3.0 mm	3.0 mm	5.0 mm

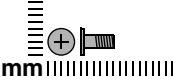
Where used:

6 screws that secure the hard drive bracket to the hard drive (documented in [Section 5.4](#))



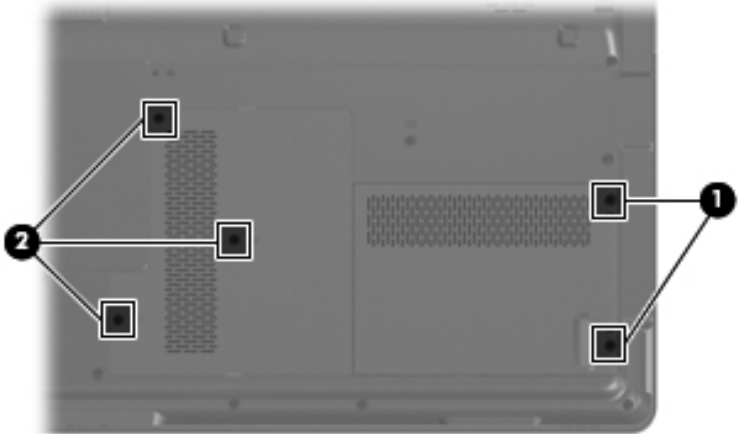
Phillips PM3.0x3.0 Screw Locations

Table A-2
Phillips PM2.0x5.0 Captive Screw

 mm	Color	Qty.	Length	Thread	Head Width
	Black	5	5.0 mm	2.0 mm	5.0 mm

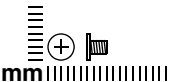
Where used:

- ❶ Two screws that secure the hard drive cover to the computer (screws are captured on the cover by C-clips; documented in [Section 5.4](#))
- ❷ Three screws that secure the memory module compartment cover to the computer (screws are captured on the cover by C-clips; documented in [Section 5.6](#))



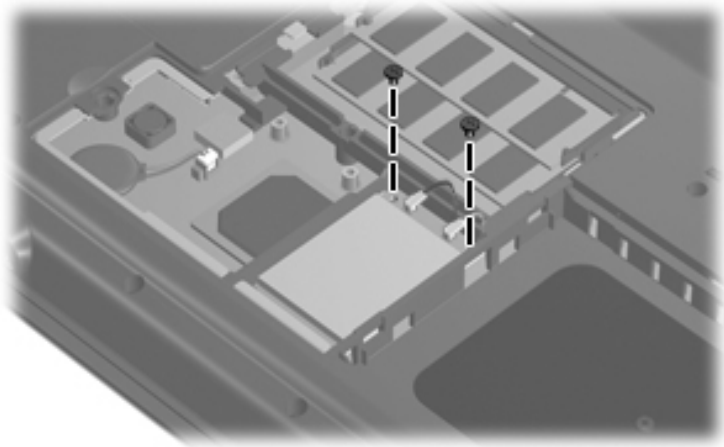
Phillips PM2.0x5.0 Captive Screw Locations

Table A-3
Phillips PM2.0×3.0 Screw

	Color	Qty.	Length	Thread	Head Width
	Silver	12	3.0 mm	2.0 mm	4.0 mm

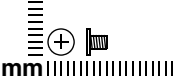
Where used:

2 screws that secure the Mini Card module to the computer (documented in [Section 5.8](#))



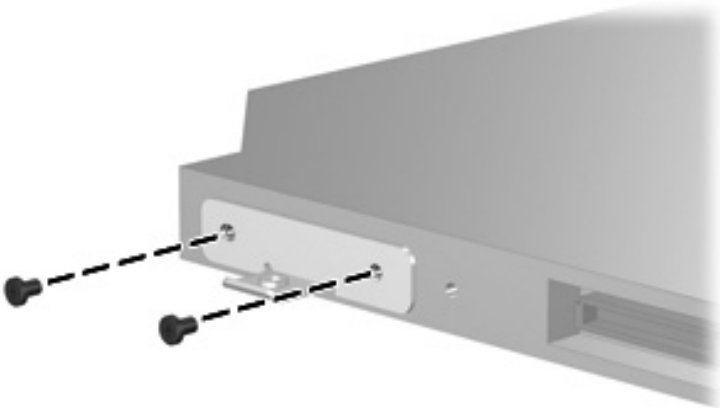
Phillips PM2.0×3.0 Screw Locations

Table A-3
Phillips PM2.0×3.0 Screw (Continued)

	Color	Qty.	Length	Thread	Head Width
	Silver	12	3.0 mm	2.0 mm	4.0 mm

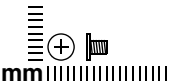
Where used:

2 screws that secure the optical drive bracket to the optical drive (documented in [Section 5.9](#))



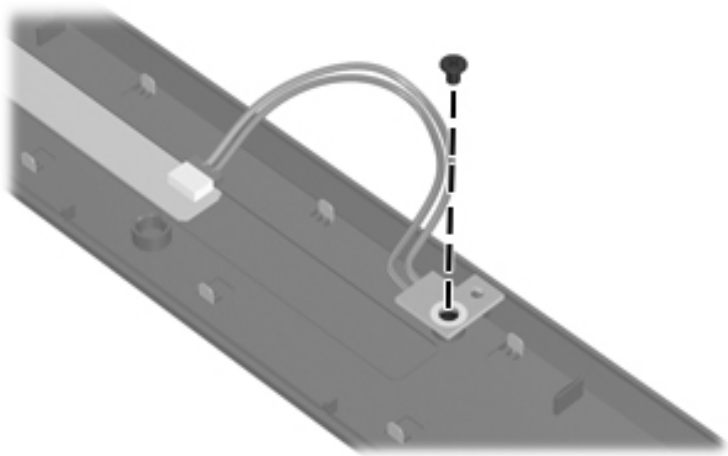
Phillips PM2.0×3.0 Screw Locations

Table A-3
Phillips PM2.0x3.0 Screw (Continued)

 mm	Color	Qty.	Length	Thread	Head Width
	Silver	12	3.0 mm	2.0 mm	4.0 mm

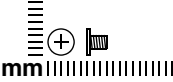
Where used:

One screw that secures the num lock board to the switch cover (documented in [Section 5.10](#))



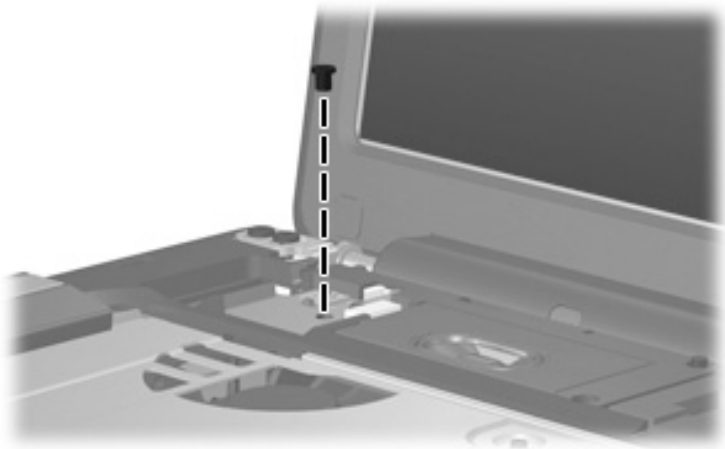
Phillips PM2.0x3.0 Screw Location

Table A-3
Phillips PM2.0×3.0 Screw (Continued)

	Color	Qty.	Length	Thread	Head Width
	Silver	12	3.0 mm	2.0 mm	4.0 mm

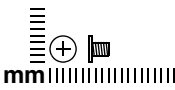
Where used:

One screw that secures the power button board to the computer (documented in [Section 5.12](#))



Phillips PM2.0×3.0 Screw Location

Table A-3
Phillips PM2.0x3.0 Screw (Continued)

	Color	Qty.	Length	Thread	Head Width
	Silver	12	3.0 mm	2.0 mm	4.0 mm

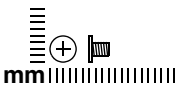
Where used:

4 screws that secure the display hinges to the display panel (documented in [Section 5.13](#))



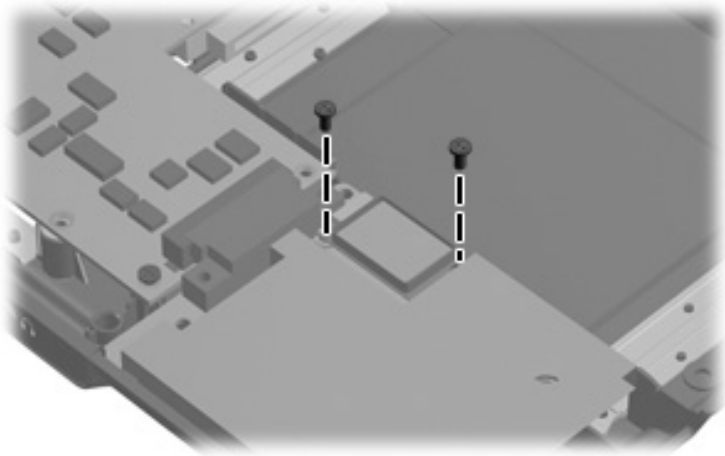
Phillips PM2.0x3.0 Screw Location

Table A-3
Phillips PM2.0×3.0 Screw (Continued)

	Color	Qty.	Length	Thread	Head Width
	Silver	12	3.0 mm	2.0 mm	4.0 mm

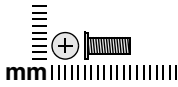
Where used:

2 screws that secure the Bluetooth module to the system board (documented in [Section 5.16](#))



Phillips PM2.0×3.0 Screw Locations

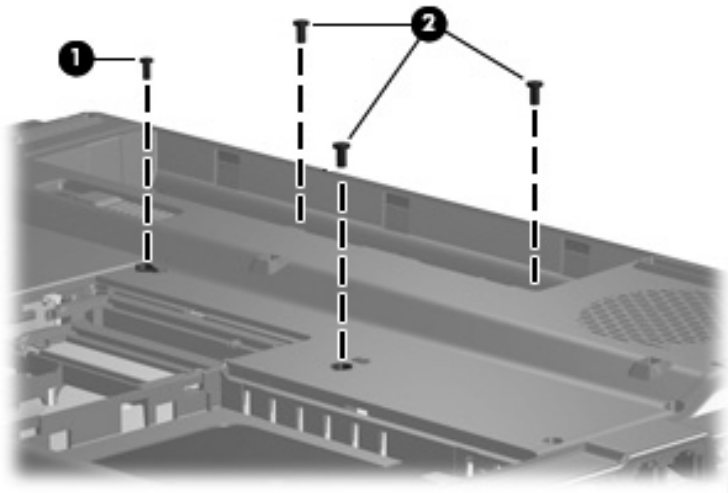
Table A-4
Phillips PM2.5x7.0 Screw



Color	Qty.	Length	Thread	Head Width
Black	25	7.0 mm	2.5 mm	5.0 mm

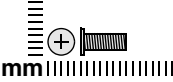
Where used:

- ❶ One screw that secures the optical drive to the computer (documented in [Section 5.9](#))
- ❷ Three screws that secure the keyboard to the computer (documented in [Section 5.11](#))



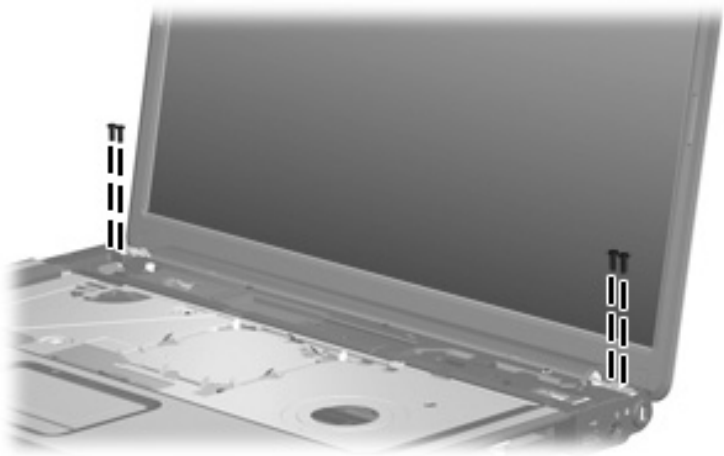
Phillips PM2.5x7.0 Screw Locations

Table A-4
Phillips PM2.5x7.0 Screw (Continued)

	Color	Qty.	Length	Thread	Head Width
	Black	25	7.0 mm	2.5 mm	5.0 mm

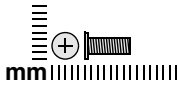
Where used:

4 screws that secure the display assembly to the computer (documented in [Section 5.13](#))



Phillips PM2.5x7.0 Screw Locations

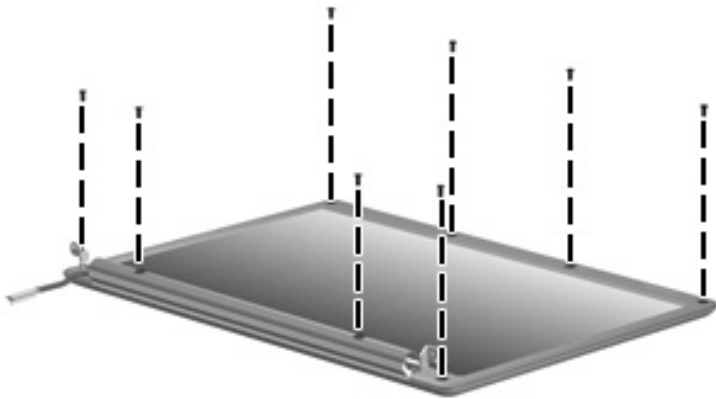
Table A-4
Phillips PM2.5x7.0 Screw (Continued)



Color	Qty.	Length	Thread	Head Width
Black	25	7.0 mm	2.5 mm	5.0 mm

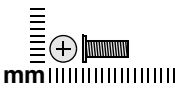
Where used:

8 screws that secure the display bezel to the display assembly (documented in [Section 5.13](#))



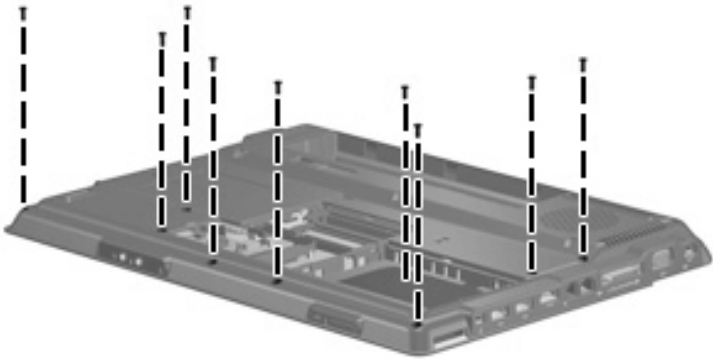
Phillips PM2.5x7.0 Screw Locations

Table A-4
Phillips PM2.5×7.0 Screw (Continued)

	Color	Qty.	Length	Thread	Head Width
	Black	25	7.0 mm	2.5 mm	5.0 mm

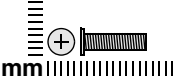
Where used:

9 screws that secure the top cover to the computer (documented in [Section 5.14](#))



Phillips PM2.5×7.0 Screw Locations

Table A-5
Phillips PM2.5×10.0 Screw

	Color	Qty.	Length	Thread	Head Width
	Black	2	10.0 mm	2.5 mm	5.0 mm

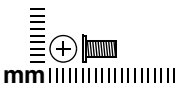
Where used:

2 screws that secure the switch cover to the computer (documented in [Section 5.10](#))



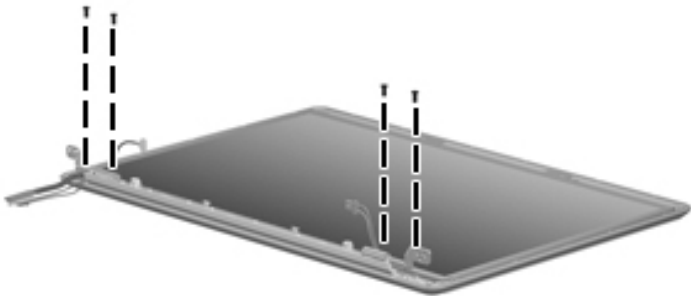
Phillips PM2.5×10.0 Screw Locations

Table A-6
Phillips PM2.5x5.0 Screw

	Color	Qty.	Length	Thread	Head Width
	Silver	20	5.0 mm	2.5 mm	5.0 mm

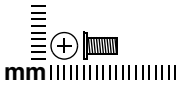
Where used:

4 screws that secure the display panel to the display enclosure (documented in [Section 5.13](#))



Phillips PM2.5x5.0 Screw Locations

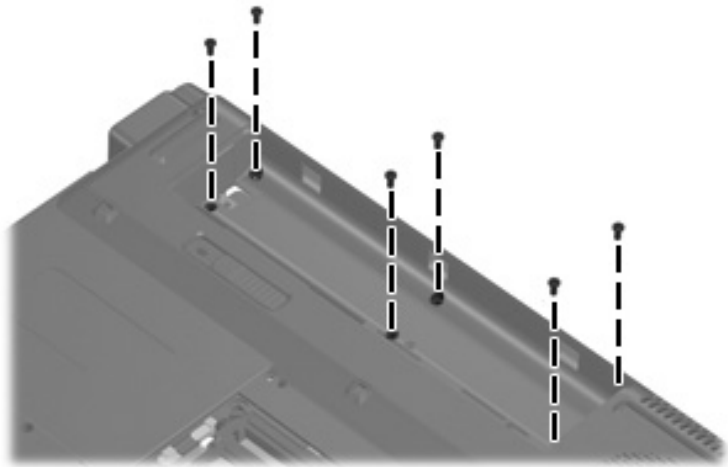
Table A-6
Phillips PM2.5x5.0 Screw (Continued)



Color	Qty.	Length	Thread	Head Width
Silver	20	5.0 mm	2.5 mm	5.0 mm

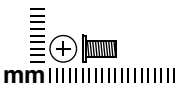
Where used:

6 screws that secure the top cover to the base enclosure (documented in [Section 5.14](#))



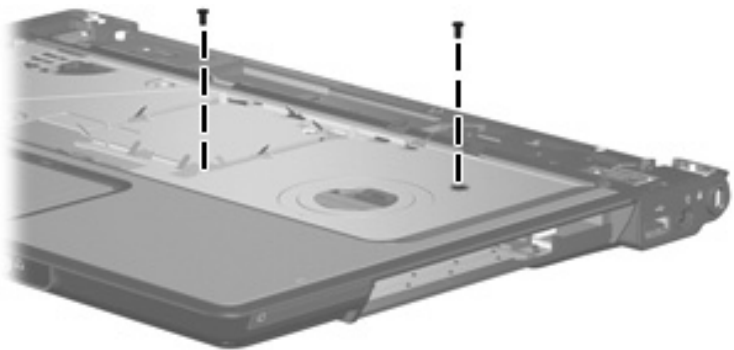
Phillips PM2.5x5.0 Screw Locations

Table A-6
Phillips PM2.5x5.0 Screw (Continued)

	Color	Qty.	Length	Thread	Head Width
Silver	20	5.0 mm	2.5 mm	5.0 mm	

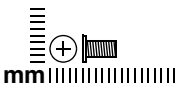
Where used:

2 screws that secure the top cover to the base enclosure (documented in [Section 5.14](#))



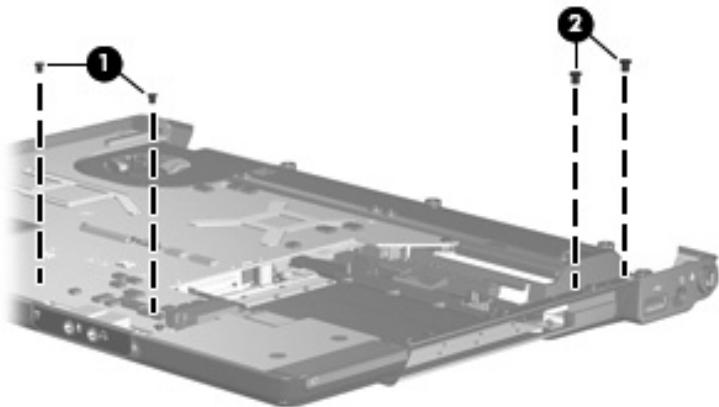
Phillips PM2.5x5.0 Screw Locations

Table A-6
Phillips PM2.5x5.0 Screw (Continued)

	Color	Qty.	Length	Thread	Head Width
	Silver	20	5.0 mm	2.5 mm	5.0 mm

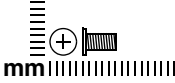
Where used:

- ❶ Two screws that secure the audio board to the base enclosure (documented in [Section 5.15](#))
- ❷ Two screws that secure the USB/power connector board to the base enclosure (documented in [Section 5.18](#))



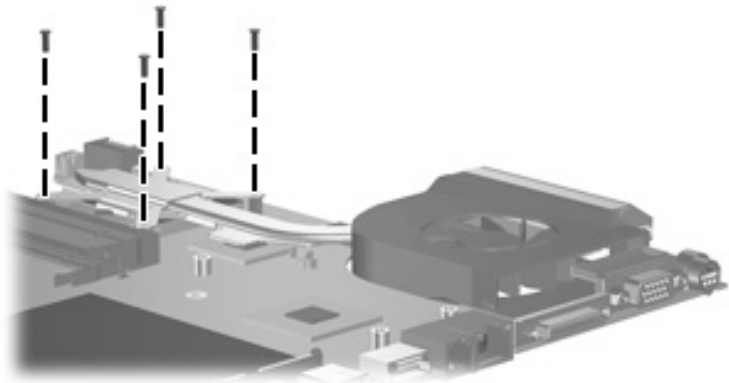
Phillips PM2.5x5.0 Screw Locations

Table A-6
Phillips PM2.5x5.0 Screw (Continued)

	Color	Qty.	Length	Thread	Head Width
	Silver	20	5.0 mm	2.5 mm	5.0 mm

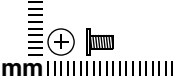
Where used:

4 screws that secure the fan/heat sink assembly to the system board
 (documented in [Section 5.20](#))



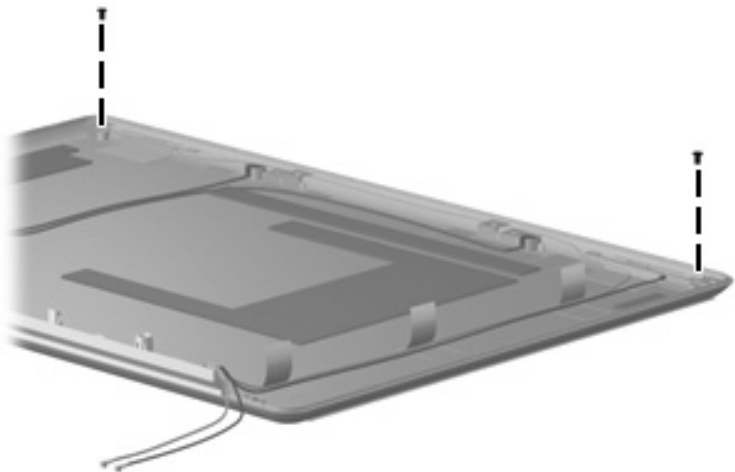
Phillips PM2.5x5.0 Screw Locations

Table A-7
Phillips PM2.0×4.0 Screw

	Color	Qty.	Length	Thread	Head Width
	Silver	2	4.0 mm	2.0 mm	5.0 mm

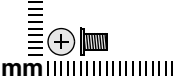
Where used:

2 screws that secure the wireless antenna transceivers to the display enclosure (documented in [Section 5.13](#))



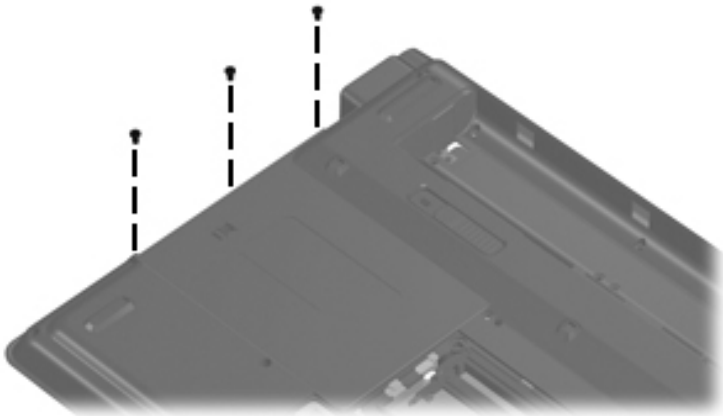
Phillips PM2.0×4.0 Screw Locations

Table A-8
Phillips PM2.5×4.0 Screw

	Color	Qty.	Length	Thread	Head Width
	Silver	9	4.0 mm	2.5 mm	5.0 mm

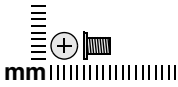
Where used:

3 screws that secure the top cover to the base enclosure (documented in [Section 5.14](#))



Phillips PM2.5×4.0 Screw Locations

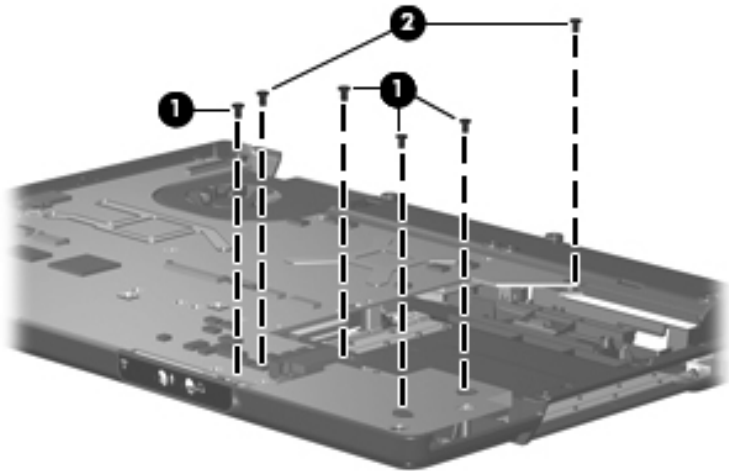
Table A-8
Phillips PM2.5×4.0 Screw (Continued)



Color	Qty.	Length	Thread	Head Width
Silver	9	4.0 mm	2.5 mm	5.0 mm

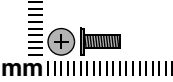
Where used:

- ❶ 4 screws that secure the ExpressCard assembly to the system board (documented in [Section 5.17](#))
- ❷ 2 screws that secure the system board to the computer (documented in [Section 5.19](#))



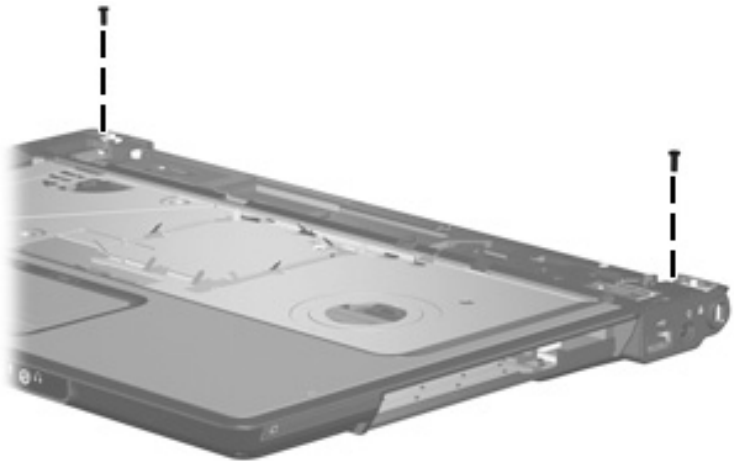
Phillips PM2.5×4.0 Screw Locations

Table A-9
Phillips PM2.0×6.0 Screw

	Color	Qty.	Length	Thread	Head Width
	Black	2	6.0 mm	2.0 mm	5.0 mm

Where used:

2 screws that secure the top cover to the base enclosure (documented in [Section 5.14](#))



Phillips PM2.0×6.0 Screw Locations

Backup and Recovery in Windows XP

Recovering System Information

Tools provided by the operating system and PC Recovery software are designed to help you with the following tasks for safeguarding your information and restoring it in case of a system failure:

- Backing up your information regularly to protect your important system files.
- Making a set of recovery discs (PC Recovery software feature). Recovery discs are used to start up (boot) your computer and restore the operating system and software programs to factory settings in case of system failure or instability.
- Creating system restore points (operating system feature). System restore points allow you to reverse undesirable changes to your computer by restoring the computer to an earlier state.
- Recovering a program or driver (PC Recovery software feature). This feature helps you reinstall a program or driver without performing a full system recovery.
- Performing a full system recovery (PC Recovery software feature). With PC Recovery, you can recover your full factory image if you experience system failure or instability. PC Recovery works from a dedicated recovery partition on the hard drive or from recovery discs you create.

Backing Up Your Information

When to Back Up

- On a regularly scheduled basis



Set reminders to back up your information periodically.

- Before the computer is repaired or restored
- Before you add or modify hardware or software

Backup Suggestions

- Create system restore points using Windows XP Professional System Restore feature.
- Store personal files in the My Documents folder and back up these folders periodically.
- Back up templates stored in their associated programs.
- Save customized settings in a window, toolbar, or menu bar by taking a screen shot of your settings.

The screen shot can be a time saver if you have to reset your preferences.

To copy the screen and paste it into a Word document:

- a. Display the screen.
- b. Copy the screen:

To copy only the active window, press **alt+fn+prt sc**.

To copy the entire screen, press **fn+prt sc**.

- c. To paste the copied images into a document, open Word, and then select **Edit > Paste**.

Using System Restore Points

When you back up your system, you are creating a system restore point. A system restore point allows you to save and name a snapshot of your hard drive at a specific point in time. You can then recover back to that point if you want to reverse subsequent changes made to your system.



Recovering to an earlier restore point does not affect data files saved or e-mails created since the last restore point.

You also can create additional restore points to provide increased protection for your system files and settings.

When to Create Restore Points

- Before you add or extensively modify software or hardware.
- Periodically, whenever the system is performing optimally.



If you revert to a restore point and then change your mind, you can reverse the restoration.

Creating a System Restore Point

1. Select **Start > Help and Support > System Restore**.
The System Restore window opens.
2. Click **Create a restore point**, and then click **Next**.
3. Follow the on-screen instructions.

Restoring to a Previous Date and Time

To revert to a restore point (created at a previous date and time), when the computer was functioning optimally:

1. Select **Start > Help and Support > System Restore**.
The System Restore window opens.
2. Click **Restore my computer to an earlier time**, and then click **Next**.
3. Follow the on-screen instructions.

Creating Recovery Discs

PC Recovery Disc Creator creates a set of recovery CDs or DVDs for the computer. Use recovery discs to restore the operating system and software programs to factory settings, in case of system failure or instability.



Handle these discs carefully and keep them in a safe place. The software allows the creation of only one set of recovery discs.

Note the following guidelines before creating recovery discs:

- You will need high quality CD-R, DVD-R, or DVD+R media (purchased separately).
-



DVD±RW/R and double-layer DVD±RW are not compatible with the PC Recovery Disc Creator software.

- The computer must be connected to AC power during this process.
- Only one set of recovery discs can be created per computer.

- Number each disc before inserting it into the computer optical drive.
- If necessary, you can exit the program before you have finished creating the recovery discs. The next time you open PC Recovery Disc Creator, you will be prompted to continue the disc creation process.

To create a set of recovery discs:

1. Select **Start > All Programs > System Recovery > PC Recovery Disc Creator**.

The PC Recovery Disc Creator tool opens.

2. Click **Next**.



If you are operating the computer on battery power, you will be prompted to connect to AC power before you can go to the next step.

3. Select the type of disc you want to use and click **Next**.



The software examines the image and displays the number of blank discs needed to create your recovery discs.

4. Insert the first disc and follow the on-screen instructions to complete the creation of the recovery discs.

Reinstalling Software Programs and Drivers

If a program or driver preinstalled at the factory is accidentally erased or is damaged, the Application and Driver Recovery tool allows you to reinstall it.



Software not provided with this computer must be reinstalled from the disc provided by the manufacturer or downloaded from the manufacturer's Web site.



Before reinstalling the program, be sure it is fully uninstalled.

The Application and Driver Recovery tool replaces corrupted system files and reinstalls deleted system files within the program.

- In most cases, if the program you are reinstalling is still on your computer, the reinstallation process does not affect your personal settings.
- In all cases, if a program has been deleted from your computer, the reinstallation process reinstalls the program or utility to the factory image but cannot restore your personal settings.

Reinstalling Preinstalled Programs and Drivers

1. Remove the program or driver:
-



In some cases, drivers are not listed in the Add or Remove Programs list. If the driver is not listed, it does not need to be removed.

- a. Select **Start > Control Panel > Add or Remove Programs**.
- b. Click the program or driver you want to remove, and then click **Change/Remove**.

2. Select **Start > All Programs > System Recovery > Application and Driver Recovery**.

The Application and Driver Recovery tool opens.

3. Select **Application Installation or Driver Installation**, and then click **Next**.
4. Follow the on-screen instructions to complete the program or driver recovery.
5. Restart the computer if prompted.

Reinstalling Programs from Discs

1. Insert the disc into the optical drive.
2. When the installation wizard opens, follow the installation instructions on the screen.
3. Restart the computer if prompted.

Performing a Recovery

PC Recovery software allows you to repair or restore the system if you experience system failure or instability. PC Recovery works from recovery discs that you create or from a dedicated recovery partition on the hard drive.



Microsoft Windows XP has its own built-in repair features, such as System Restore and driver roll-back capabilities. If you have not already tried these features, try them before using PC Recovery.



PC Recovery only recovers software that was preinstalled at the factory. Software not provided with this computer must be reinstalled from the disc provided by the manufacturer or downloaded from the manufacturer's Web site.

Recovering from the Recovery Discs

To restore the system from the recovery discs:

1. Back up all personal files.
2. Insert the first recovery disc into the optical drive and restart the computer.
3. Follow the on-screen instructions.

Recovering from the Partition on the Hard Drive

You can perform a recovery from the partition on the hard drive from either the Start button or **f11**.

To restore the system from the partition:

1. Access the PC Recovery tool:
 - ❑ To access PC Recovery from the Start button, select **Start > All Programs > System Recovery > PC Recovery**.
 - ❑ To access PC Recovery from **f11**, restart the computer and press **f11** while the “Press <F11> for recovery” message is displayed on the screen.

The PC Recovery tool opens.

2. Select **PC Recovery** and click **Next**.

The computer restarts and the PC Recovery tool opens.

3. Click **OK**.
4. Follow the on-screen instructions to complete the system recovery.

If you want to perform a *destructive* recovery:



A destructive recovery formats the hard drive and restores the computer to its factory state. Select this option only as a last resort.

- a. Click **Advanced Options** on the System Recovery screen.
- b. Select **Destructive Recovery** and follow the on-screen instructions.

Deleting the Recovery Partition on the Hard Drive

The PC Recovery Advanced Options menu provides the option of deleting the recovery partition, which will increase space on the hard drive. Delete the recovery partition only if you have already created recovery discs.



CAUTION: After you create the recovery discs, you can increase space on the hard drive by deleting the recovery partition. However, doing this is not recommended. If you delete this partition, you will lose any information that is on the partition, including the PC Recovery software. Thereafter, you must use the recovery discs to access PC Recovery software.

To delete the recovery partition:

1. If you have not already created recovery discs, create them now.
2. Select **Start > All Programs > System Recovery > PC Recovery**.

The PC Recovery tool opens.

3. Select **PC Recovery** and click **Next**.

The computer restarts and the PC Recovery tools opens.

4. Click **OK**.
5. At the System Recovery screen, click **Advanced Options**.
6. Select **Delete Recovery Partition (not recommended)** and follow the on-screen instructions.

Updating Reinstalled Software

After you perform a system recovery, connect to the Internet to update all reinstalled software.

To access update links for the operating system and other software provided on your computer:

» Select **Start > Help and Support**.

To update optional software, follow the instructions provided by the software manufacturer. Some programs include an update feature you can access from a Help button or menu within the program.

Backup and Recovery in Windows Vista

Recovering System Information

Tools provided by the operating system and Recovery Manager software are designed to help you with the following tasks for safeguarding your information and restoring it in case of a system failure:

- Back up your information regularly to protect your important system files.
- Make a set of recovery discs (Recovery Manager software feature). Recovery discs are used to start up (boot) your computer and restore the operating system and software programs to factory settings in case of system failure or instability.
- Create system restore points (operating system feature). System restore points allow you to reverse undesirable changes to your computer by restoring the computer to an earlier state.
- Recover a program or driver (Recovery Manager software feature). This feature helps you reinstall a program or driver without performing a full system recovery.
- Perform a full system recovery (Recovery Manager software feature). With Recovery Manager, you can recover your full factory image if you experience system failure or instability. Recovery Manager works from a dedicated recovery partition on the hard drive or from recovery discs you create.

Backing up Your Information

When to Back Up

- On a regularly scheduled basis.



Set reminders to back up your information periodically.

- Before the computer is repaired or restored.
- Before you add or modify hardware or software.

Backup Suggestions

- Create system restore points using the Windows System Restore feature.
- Store personal files in the Documents folder and back up these folders periodically.
- Back up templates stored in their associated programs.
- Save customized settings in a window, toolbar, or menu bar by taking a screen shot of your settings.

The screen shot can be a time saver if you have to reset your preferences.

To copy the screen and paste it into a word-processing document:

- a. Display the screen.
- b. Copy the screen:

To copy only the active window, press **alt+fn+prt sc**.

To copy the entire screen, press **fn+prt sc**.

- c. Open a word-processing document, and then select **Edit > Paste**.

Using System Restore Points

When you back up your system, you are creating a system restore point. A system restore point allows you to save and name a snapshot of your hard drive at a specific point in time. You can then recover back to that point if you want to reverse subsequent changes made to your system.



Recovering to an earlier restore point does not affect data files saved or e-mails created since the last restore point.

You also can create additional restore points to provide increased protection for your system files and settings.

When to Create Restore Points

- Before you add or extensively modify software or hardware.
- Periodically, whenever the system is performing optimally.



If you revert to a restore point and then change your mind, you can reverse the restoration.

Creating a System Restore Point

1. Select **Start > Control Panel > System and Maintenance > System**.
2. In the left pane, click **System protection**.
3. Click the **System Protection** tab.
4. Under Automatic restore points, select the disk for which you want to create a restore point.
5. Click **Create**.

The System Protection window opens.

6. Follow the on-screen instructions.

Restoring to a Previous Date and Time

To revert to a restore point (created at a previous date and time), when the computer was functioning optimally, follow these steps:

1. Select **Start > Control Panel > System and Maintenance > System**.
2. In the left pane, click **System protection**.
3. Click the **System Protection** tab.
4. Click the **System Restore** button, and then click **Next**.

The System Restore window opens.

5. Follow the on-screen instructions.

Creating Recovery Discs

Recovery Manager creates a set of recovery CDs or DVDs for the computer. Use recovery discs to restore the operating system and software programs to factory settings, in case of system failure or instability.



Handle these discs carefully and keep them in a safe place. The software allows the creation of only one set of recovery discs.

Note the following guidelines before creating recovery discs:

- You will need high quality CD-R, DVD-R, or DVD+R discs (purchased separately).
-



Formatted DVD±RW discs and DVD±RW double-layer discs are not compatible with the Recovery Manager software.

- The computer must be connected to AC power during this process.
- Only one set of recovery discs can be created per computer.
- Number each disc before inserting it into the computer optical drive.

- If necessary, you can exit the program before you have finished creating the recovery discs. The next time you open Recovery Manager, you will be prompted to continue the disc creation process.

To create a set of recovery discs:

1. Select **Start > All Programs > Recovery Manager > Recovery Manager**.

Recovery Manager opens.

2. Click **Advanced Options**.
-



If you are operating the computer on battery power, you will be prompted to connect to AC power before you can go to the next step.

3. Click **Recovery disc creation**, and then click **Next**.
4. Follow the on-screen instructions.

Reinstalling Software Programs and Drivers

If a program or driver preinstalled at the factory is accidentally erased or is damaged, Recovery Manager allows you to reinstall it.



Software not provided with this computer must be reinstalled from the disc provided by the manufacturer or downloaded from the manufacturer's Web site.



Before reinstalling the program, be sure it is fully uninstalled.

Recovery Manager replaces corrupted system files and reinstalls deleted system files within the program.

- In most cases, if the program you are reinstalling is still on your computer, the reinstallation process does not affect your personal settings.

- In all cases, if a program has been deleted from your computer, the reinstallation process reinstalls the program or utility to the factory image but cannot restore your personal settings.

Reinstalling Preinstalled Programs and Drivers

1. Remove the program or driver:



In some cases, drivers are not listed in the Programs and Features list. If the driver is not listed, it does not need to be removed.

- a. Select **Start > Control Panel > Programs > Uninstall a program**.
 - b. Right-click the program or driver you want to remove, and then click **Uninstall**.
2. Reinstall the program or driver:
 - a. Select **Start > All Programs > Recovery Manager > Recovery Manager**.
Recovery Manager opens.
 - b. Click **Advanced Options**.
 - c. Click either **Software program re-installation** or **Hardware driver re-installation**, and then click **Next**.
 - d. Follow the on-screen instructions.
 - e. Restart the computer if prompted.

Reinstalling Programs from Discs

1. Insert the disc into the optical drive.
2. When the installation wizard opens, follow the installation instructions on the screen.
3. Restart the computer if prompted.

Performing a Recovery

Recovery Manager software allows you to repair or restore the system if you experience system failure or instability. Recovery Manager works from recovery discs that you create or from a dedicated recovery partition on the hard drive.



Windows has its own built-in repair features, such as System Restore and driver rollback capabilities. If you have not already tried these features, try them before using Recovery Manager.



Recovery Manager only recovers software that was preinstalled at the factory. Software not provided with this computer must be reinstalled from the disc provided by the manufacturer or downloaded from the manufacturer's Web site.

Recovering from the Recovery Discs

To restore the system from the recovery discs:

1. Back up all personal files.
2. Insert the first recovery disc into the optical drive and restart the computer.
3. Follow the on-screen instructions.

Recovering from the Partition on the Hard Drive

You can perform a recovery from the partition on the hard drive from either the Start button or **f11**.

To restore the system from the partition, follow these steps:

1. Access Recovery Manager in either of the following ways:
 - Select **Start > All Programs > Recovery Manager > Recovery Manager**.

- ❑ Restart the computer and press **f11** while the “Press <F11> for recovery” message is displayed on the screen. Then select **Recovery Manager**.

Recovery Manager opens.

2. Click **Advanced Options**.
3. Click **System recovery**, and then click **Next**.
4. Follow the on-screen instructions.

Deleting the Recovery Partition on the Hard Drive

The Recovery Manager Advanced Options menu provides the option of deleting the recovery partition, which will increase space on the hard drive. Delete the recovery partition only if you have already created recovery discs.



CAUTION: After you create the recovery discs, you can increase space on the hard drive by deleting the recovery partition. However, doing this is not recommended. If you delete this partition, you will lose any information that is on the partition, including Recovery Manager software. Thereafter, you must use the recovery discs to access Recovery Manager software.

To delete the recovery partition:

1. If you have not already created recovery discs, create them now.
2. Select **Start > All Programs > Recovery Manager > Recovery Manager**.
Recovery Manager opens.
3. Click **Advanced Options**.
4. Click **Remove recovery partition**, and then click **Next**.
5. Follow the on-screen instructions.

Updating Reinstalled Software

After you perform a system recovery, connect to the Internet to update all reinstalled software.

To access update links for the operating system and other software provided on your computer:

» Select **Start > Help and Support**.

To update optional software, follow the instructions provided by the software manufacturer. Some programs include an update feature you can access from a Help button or menu within the program.

Display Component Recycling



WARNING: The backlight contains mercury. Caution should be exercised when removing and handling the backlight to avoid damaging this component and causing exposure to the mercury.



CAUTION: The procedures in this appendix can result in damage to display components. The only components intended for recycling purposes are the liquid crystal display (LCD) panel and the backlight. Careful handling should be exercised when removing these components.

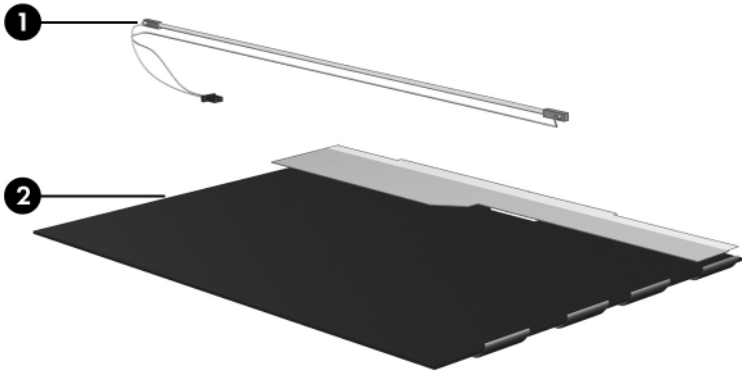


Materials Disposal

This HP product contains mercury in the display assembly backlight and may require special handling at end-of-life.

Disposal of mercury may be regulated because of environmental considerations. For disposal or recycling information, contact your local authorities or visit the Electronic Industries Alliance (EIA) at <http://www.eiae.org>.

This appendix provides disassembly instructions for the display assembly. The display assembly must be disassembled to gain access to the backlight ❶ and the LCD panel ❷.

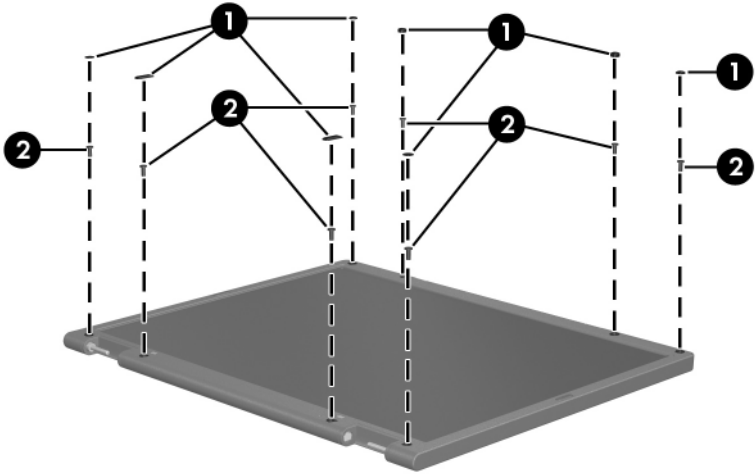


Disassembly procedures differ from one display assembly to another. The procedures provided in this appendix are general disassembly instructions. Specific details, such as screw sizes, quantities, and locations, and component shapes and sizes, can vary from one computer model to another.

Refer to [Section 5.13, “Display Assembly,”](#) for display assembly disassembly steps.

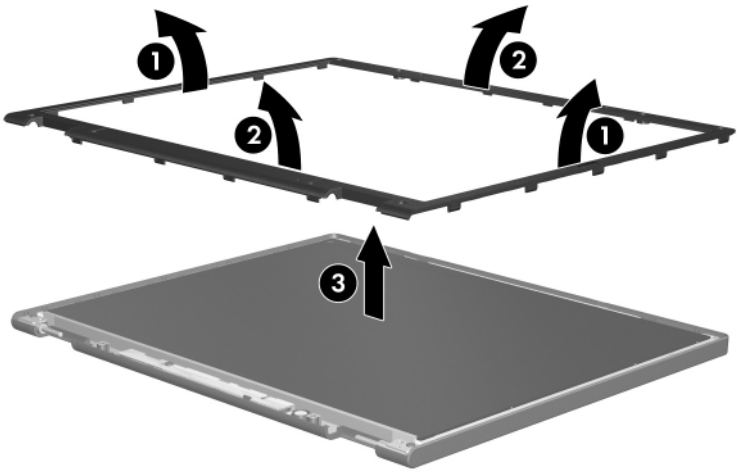
Perform the following steps to disassemble the display assembly:

1. Remove all screw covers **1** and screws **2** that secure the display bezel to the display assembly.



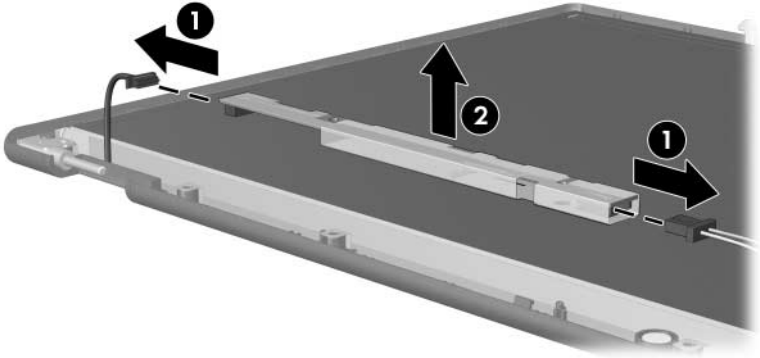
Removing the Display Bezel Screw Covers and Screws

-
2. Lift up and out on the left and right inside edges ① and the top and bottom inside edges ② of the display bezel until the bezel disengages from the display assembly.
3. Remove the display bezel ③.



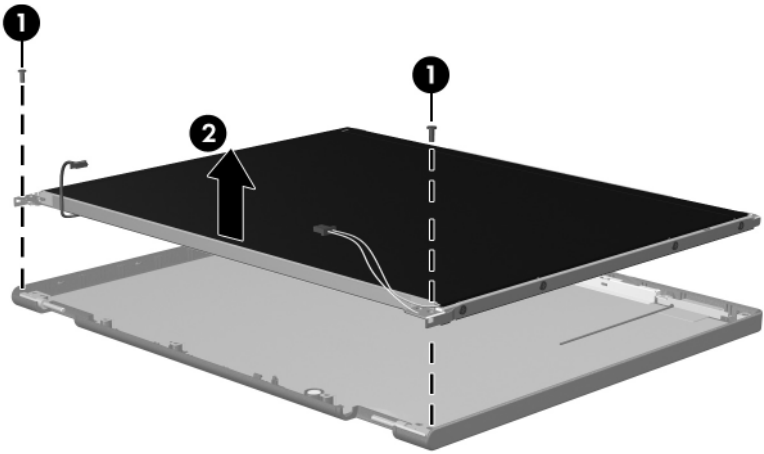
Removing the Display Bezel

4. Disconnect all LCD panel cables ❶ from the display inverter board and remove the inverter board ❷.



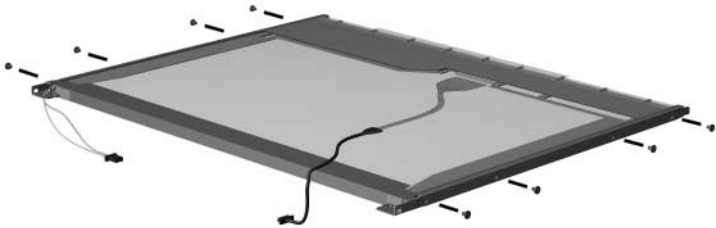
Removing the Display Inverter Board

5. Remove all screws ❶ that secure the LCD panel to the display enclosure.
6. Remove the LCD panel ❷ from the display enclosure.



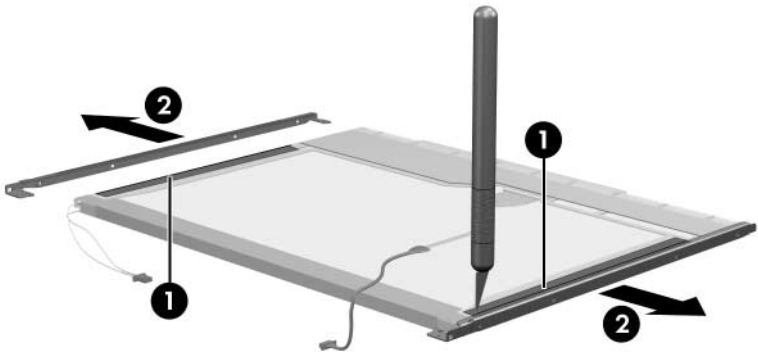
Removing the LCD Panel

7. Turn the LCD panel upside down.
8. Remove all screws that secure the LCD panel frame to the LCD panel.



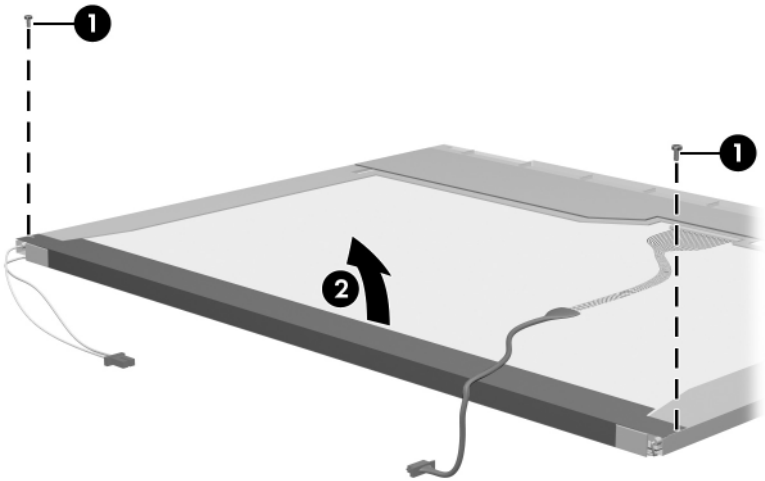
Removing the LCD Panel Frame Screws

9. Use a sharp-edged tool to cut the tape **1** that secures the side of the LCD panel to the LCD panel frame.
10. Remove the LCD panel frame **2** from the display panel.



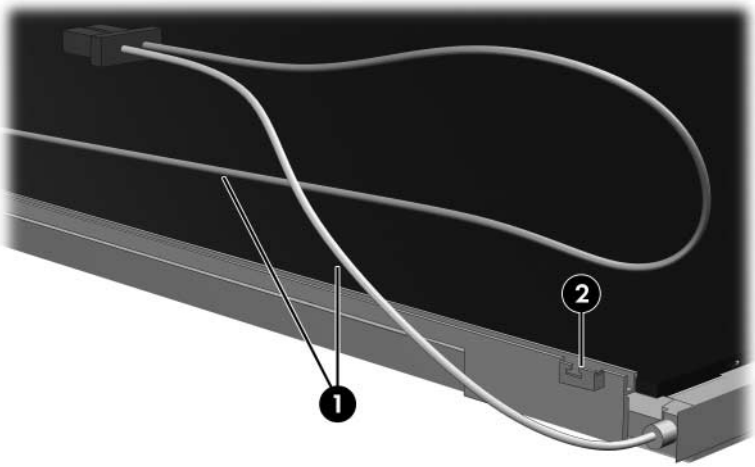
Removing the LCD Panel Frame

11. Remove the screws **1** that secure the backlight cover to the LCD panel.
12. Lift the top edge of the backlight cover **2** and swing it forward.
13. Remove the backlight cover.



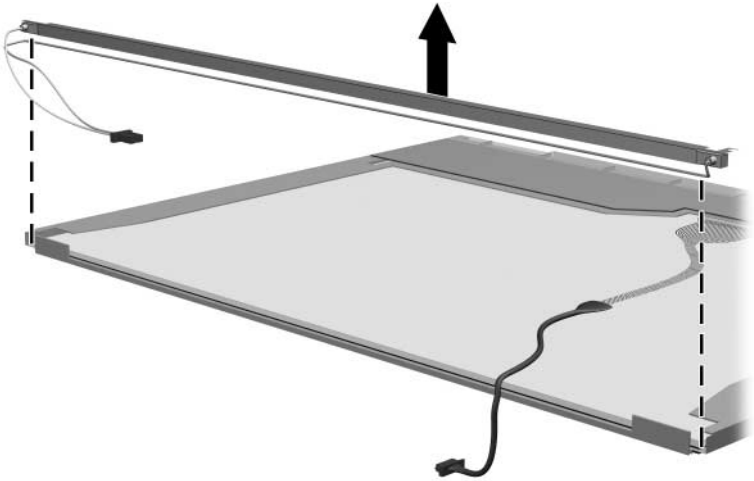
Removing the Backlight Cover

14. Turn the LCD panel right-side up.
15. Remove the backlight cables **1** from the clip **2** in the LCD panel.



Releasing the Backlight Cables

16. Turn the LCD panel upside down.
17. Remove the backlight frame from the LCD panel.

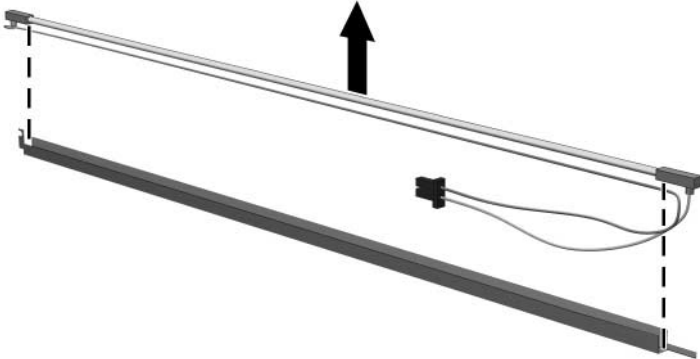


Removing the Backlight Frame



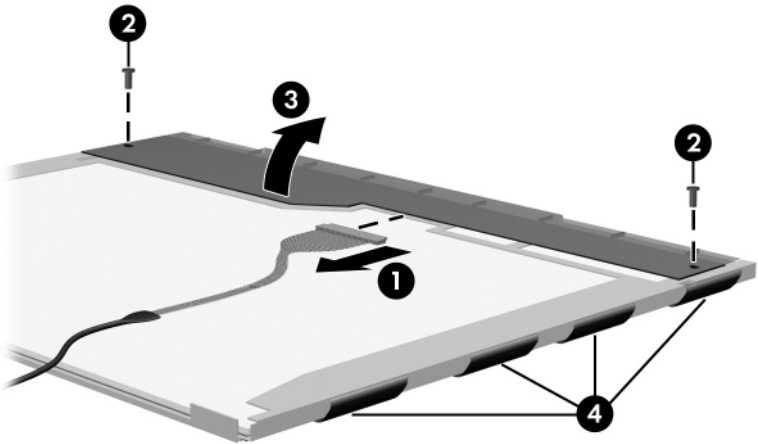
WARNING: The backlight contains mercury. Caution should be exercised when removing and handling the backlight to avoid damaging this component and causing exposure to the mercury.

18. Slide the backlight out of the backlight frame.



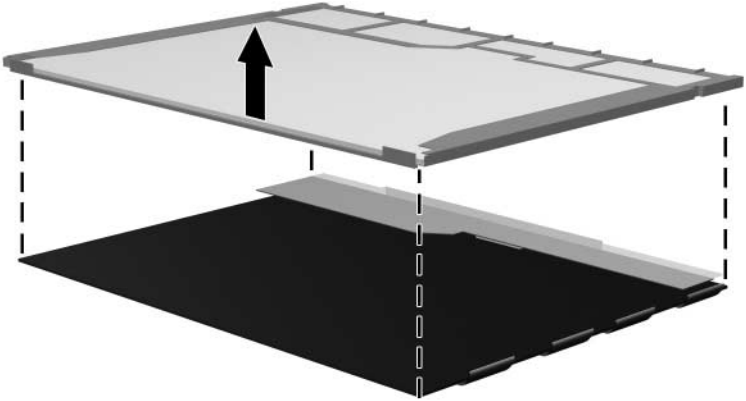
Removing the Backlight

19. Disconnect the display cable ❶ from the LCD panel.
20. Remove the screws ❷ that secure the LCD panel to the LCD rear panel.
21. Release the LCD panel ❸ from the LCD rear panel.
22. Release the tape ❹ that secures the LCD panel to the LCD rear panel.



Releasing the LCD Panel

23. Remove the LCD panel.

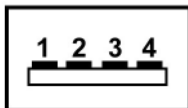


Removing the LCD Panel

24. Recycle the backlight and LCD panel.

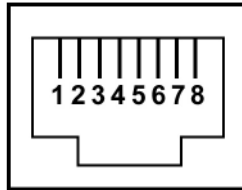
Connector Pin Assignments

Table D-1
Universal Serial Bus



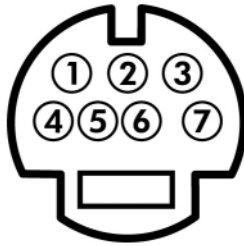
Pin	Signal	Pin	Signal
1	+5 VDC	3	Data +
2	Data -	4	Ground

Table D-2
RJ-45 (Network)



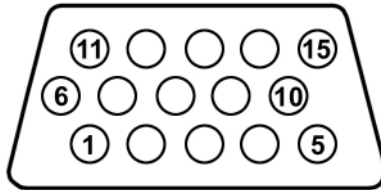
Pin	Signal	Pin	Signal
1	Transmit +	5	Unused
2	Transmit –	6	Receive –
3	Receive +	7	Unused
4	Unused	8	Unused

Table D-3
S-Video-Out



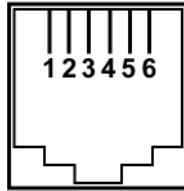
Pin	Signal	Pin	Signal
1	TV-Ground	5	TV-CD
2	TV-CVBS	6	TV-Ground
3	TV-Ground	7	TV-YD
4	TV-Ground		

Table D-4
External Monitor



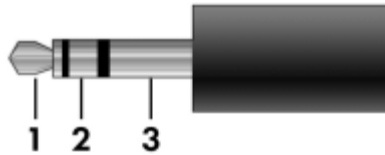
Pin	Signal	Pin	Signal
1	Red analog	9	+5 VDC
2	Green analog	10	Ground
3	Blue analog	11	Monitor detect
4	Not connected	12	DDC 2B data
5	Ground	13	Horizontal sync
6	Ground analog	14	Vertical sync
7	Ground analog	15	DDC 2B clock
8	Ground analog		

Table D-5
RJ-11 (Modem)



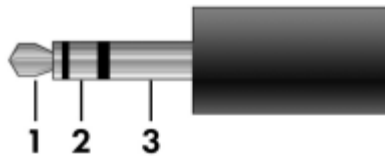
Pin	Signal	Pin	Signal
1	Unused	4	Unused
2	Tip	5	Unused
3	Ring	6	Unused

Table D-6
Audio-In (Microphone)



Pin	Signal	Pin	Signal
1	Audio signal in	3	Ground
2	Audio signal in		

Table D-7
Audio-Out (Headphone)



Pin	Signal	Pin	Signal
1	Audio out, left channel	3	Ground
2	Audio out, right channel		

Power Cord Set Requirements

3-Conductor Power Cord Set

The wide range input feature of the computer permits it to operate from any line voltage from 100 to 120 or 220 to 240 volts AC.

The power cord set included with the computer meets the requirements for use in the country or region where the equipment is purchased.

Power cord sets for use in other countries and regions must meet the requirements of the country or region where the computer is used.

General Requirements

The requirements listed below are applicable to all countries and regions.

- The length of the power cord set must be at least 1.5 m (5.0 ft) and a maximum of 2.0 m (6.5 ft).
- All power cord sets must be approved by an acceptable accredited agency responsible for evaluation in the country or region where the power cord set will be used.
- The power cord sets must have a minimum current capacity of 10 amps and a nominal voltage rating of 125 or 250 V AC, as required by each country or region's power system.
- The appliance coupler must meet the mechanical configuration of an EN 60 320/IEC 320 Standard Sheet C13 connector for mating with the appliance inlet on the back of the computer.

Country/Region-Specific Requirements

3-Conductor Power Cord Set Requirements

Country/Region	Accredited Agency	Applicable Note Number
Australia	EANSW	1
Austria	OVE	1
Belgium	CEBC	1
Canada	CSA	2
Denmark	DEMKO	1
Finland	FIMKO	1
France	UTE	1
Germany	VDE	1
Italy	IMQ	1
Japan	METI	3



NOTES:

1. The flexible cord must be <HAR> Type HO5VV-F, 3-conductor, 1.0 mm² conductor size. Power cord set fittings (appliance coupler and wall plug) must bear the certification mark of the agency responsible for evaluation in the country or region where it will be used.
2. The flexible cord must be Type SPT-3 or equivalent, No. 18 AWG, 3-conductor. The wall plug must be a two-pole grounding type with a NEMA 5-15P (15 A, 125 V) or NEMA 6-15P (15 A, 250 V) configuration.
3. The appliance coupler, flexible cord, and wall plug must bear a "T" mark and registration number in accordance with the Japanese Dentori Law. The flexible cord must be Type VCT or VCTF, 3-conductor, 1.00 mm² conductor size. The wall plug must be a two-pole grounding type with a Japanese Industrial Standard C8303 (7 A, 125 V) configuration.

3-Conductor Power Cord Set Requirements (*Continued*)

Country/Region	Accredited Agency	Applicable Note Number
Korea	ek	4
The Netherlands	keMa	1
Norway	NEMKO	1
People's Republic of China	ccc	5
Sweden	SEMKO	1
Switzerland	SEV	1
Taiwan	bsmi	4
United Kingdom	BSI	1
United States	UL	2



NOTES:

1. The flexible cord must be <HAR> Type HO5VV-F, 3-conductor, 1.0 mm² conductor size. Power cord set fittings (appliance coupler and wall plug) must bear the certification mark of the agency responsible for evaluation in the country or region where it will be used.
2. The flexible cord must be Type SPT-3 or equivalent, No. 18 AWG, 3-conductor. The wall plug must be a two-pole grounding type with a NEMA 5-15P (15 A, 125 V) or NEMA 6-15P (15 A, 250 V) configuration.
3. The appliance coupler, flexible cord, and wall plug must bear a "T" mark and registration number in accordance with the Japanese Dentori Law. The flexible cord must be Type VCT or VCTF, 3-conductor, 1.00 mm² conductor size. The wall plug must be a two-pole grounding type with a Japanese Industrial Standard C8303 (7 A, 125 V) configuration.
4. The flexible cord must be Type RVV, 3-conductor, 0.75 mm² conductor size. Power cord set fittings (appliance coupler and wall plug) must bear the certification mark of the agency responsible for evaluation in the country or region where it will be used.
5. The flexible cord must be Type VCTF, 3-conductor, 0.75 mm² conductor size. Power cord set fittings (appliance coupler and wall plug) must bear the certification mark of the agency responsible for evaluation in the country or region where it will be used.

Index

1394 port 1–9

A

AC adapter, spare part
numbers 3–27, 3–30, 3–38

analog TV tuner, spare part
number 3–27, 3–35

Antenna Adapter - DVB-T,
spare part numbers 3–28

arrow keys 1–13

audio board

removal 5–48

spare part numbers 3–8,
3–37, 3–38, 5–48

audio board cable, removal
5–60

audio troubleshooting 2–31

audio-in (microphone) jack
location 1–7

pin assignments D–6

audio-out (headphone) jack
location 1–7

pin assignments D–6

B

backpack, spare part number
3–27, 3–31

Backup and Recovery
Windows Vista C–1
Windows XP B–1

backup suggestions B–2, C–2

base enclosure, spare part
numbers 3–10, 3–37, 3–38,
3–40

battery

removal 5–5

spare part numbers 3–8,
3–38, 5–5

specifications 6–7

battery bay 1–20

battery light 1–6

battery release latch 1–20

Bluetooth module

removal 5–50

spare part number 3–8,
3–35, 5–50

bottom components 1–20

C

Cable Kit, spare part number
3–20, 3–40

cables, service considerations
4–2

caps lock key 1–13

carrying case, spare part
number 3–28, 3–35

CMOS clearing 1–4

components

bottom 1–20

front 1–6

keyboard 1–12

left-side 1–8

rear 1–8

- right-side 1–10
- top 1–14, 1–16, 1–18
- composite S-Video and audio
 - input cable, spare part
 - number 3–27, 3–35
- computer feet, locations 5–10
- Computer Setup
 - Advanced Menu 2–7, 2–14
 - File Menu 2–5, 2–12
 - Security Menu 2–6, 2–12
 - Tools Menu 2–6, 2–12
- computer specifications 6–1
- connector pin assignments
 - external monitor D–4
 - headphone D–6
 - microphone D–6
 - monitor D–4
 - RJ-11 (modem) D–5
 - RJ-45 (network) D–2
 - S-Video-out D–3
 - Universal Serial Bus (USB)
 - D–1
- connectors, service
 - considerations 4–2
- consumer infrared lens 1–7
- creating
 - recovery discs
 - Windows Vista C–4
 - Windows XP B–4
 - system restore point
 - Windows Vista C–3
 - Windows XP B–3

D

- deleting
 - recovery partition
 - Windows Vista C–8
 - Windows XP B–9
- design overview 1–22
- disassembly sequence chart 5–3
- diskette drive, OS loading
 - problems 2–29
- display assembly
 - removal 5–31
 - spare part numbers 3–3, 3–38, 5–31
 - specifications 6–3
- display bezel
 - removal 5–34, 5–36
 - spare part numbers 3–21, 3–39, 5–36
- Display Cable Kit, spare part number 3–22, 3–39
- display enclosure, spare part numbers 3–22, 3–36, 3–38
- display hinge
 - removal 5–39
 - spare part number 3–22, 5–39
- Display Hinge Kit, spare part number 3–22, 3–39, 5–39
- display panel
 - removal 5–38
 - spare part numbers 3–22, 3–36, 5–38
- Display Screw Kit, spare part number 3–22, 3–36
- docking device,
 - troubleshooting 2–24

drive light 1–7
drives, preventing damage 4–3
DVB-T TV Tuner, spare part numbers 3–35
DVBTv tuner, spare part number 3–27
DVD/CD-RW Combo Drive
 OS loading problems 2–30
 precautions 4–3
 removal 5–20
 spare part number 3–10, 3–24, 3–37, 5–20
 specifications 6–8
DVD±RW/R and CD-RW Combo Drive
 OS loading problems 2–30
 precautions 4–3
 removal 5–20
 spare part numbers 3–10, 3–24, 3–37, 5–20
 specifications 6–10

E

electrostatic discharge 4–4, 4–8
expansion port 3 1–8
ExpressCard assembly
 removal 5–52
 spare part number 3–5, 3–37, 5–52
ExpressCard slot 1–11
ExpressCard slot bezel
 illustrated 3–25
 removal 5–53
external monitor port
 location 1–8
 pin assignments D–4

F

fan/heat sink assembly
 removal 5–61
 spare part numbers 3–5, 3–38, 3–39, 5–61
features 1–2
feet, locations 5–10
flowcharts, troubleshooting
 no audio 2–31, 2–32
 no network/modem connection 2–36
 no OS loading 2–25
 no OS loading from diskette drive 2–29
 no OS loading from hard drive 2–26, 2–27, 2–28
 no OS loading from optical drive 2–30
 no power 2–18, 2–20, 2–21
 no video 2–22, 2–23
nonfunctioning device 2–33
nonfunctioning docking device 2–24
nonfunctioning keyboard 2–34
nonfunctioning pointing device 2–35

fn key 1–13
front components 1–6
function keys 1–13

G

grounding equipment and methods 4–7

H

- hard drive
 - OS loading problems 2–26
 - precautions 4–3
 - removal 5–6
 - spare part numbers 3–10, 3–24, 3–36, 3–37, 3–39, 3–40, 3–41, 5–6
 - specifications 6–4
- hard drive bay 1–21
- Hard Drive Bracket Kit, spare part number 3–24, 3–40, 5–6
- hard drive bracket, removal 5–9
- hard drive cover
 - illustrated 3–25
 - removal 5–7
- HDMI port 1–9
- headphone jack
 - location 1–7
 - pin assignments D–6
- headset, spare part number 3–27, 3–30
- hinge
 - removal 5–39
 - spare part number 3–22, 3–39, 5–39

I

- I/O address specifications 6–15
- infrared receiver
 - spare part numbers 3–40
- infrared receiver, spare part numbers 3–27
- interrupt specifications 6–13

I

- inverter
 - removal 5–37
 - spare part number 3–21, 3–36, 5–37

K

- keyboard
 - removal 5–25
 - spare part numbers 3–3, 3–5, 3–41, 5–25
 - troubleshooting 2–34
- keyboard components 1–12
- keypad keys 1–13

L

- left-side components 1–8
- Logo Kit, spare part number 3–27, 3–37

M

- mass storage devices, spare part numbers 3–23
- media button 1–17
- memory module
 - removal 5–11
 - spare part numbers 3–20, 3–36, 3–39, 5–11
- memory module compartment 1–21
- memory module compartment cover
 - illustrated 3–25
 - removal 5–12
- Memory Reader 1–9
- microphone
 - location 1–15
 - removal 5–41
 - spare part number 3–22, 3–36, 5–41

- microphone jack
 - location 1-7
 - pin assignments D-6
- Mini Card module
 - removal 5-15
 - spare part numbers 3-12, 3-14, 3-16, 3-18, 3-20, 3-31, 3-32, 3-33, 3-34, 3-35, 5-15
- modem jack
 - location 1-9
 - pin assignments D-5
- modem, troubleshooting 2-36
- monitor port
 - location 1-8
 - pin assignments D-4
- mouse, spare part number 3-27, 3-28, 3-40
- N**
- network jack
 - location 1-9
 - pin assignments D-2
- network, troubleshooting 2-36
- nonfunctioning device, troubleshooting 2-24, 2-33
- num lock board, removal 5-24
- num lock** key 1-13
- O**
- optical drive
 - location 1-11, 1-20
 - OS loading problems 2-30
 - precautions 4-3
 - removal 5-20
 - spare part numbers 3-10, 3-24, 5-20
 - specifications 6-8
- optical drive bracket, removal 5-21
- P**
- packing precautions 4-5
- password clearing 1-4
- performing a recovery
 - Windows Vista C-7
 - Windows XP B-7
- plastic parts 4-2
- Plastics Kit
 - contents 3-26
 - spare part number 3-6, 3-26, 3-40
- pointing device, troubleshooting 2-35
- power button 1-15
- power button board
 - removal 5-29
 - spare part number 3-3, 3-37, 5-29
- power connector 1-11
- power cord
 - set requirements E-2
 - spare part numbers 3-28, 3-30
- power light 1-6
- power management features 1-5
- power, troubleshooting 2-18
- processor
 - removal 5-64
 - spare part numbers 3-6, 3-35, 3-36, 3-39, 3-40, 3-41, 3-42, 5-64

R

- rear components 1–8
- recovering from partition on hard drive
 - Windows Vista C–7
 - Windows XP B–8
- recovering from the recovery discs
 - Windows Vista C–7
 - Windows XP B–8
- remote control
 - spare part numbers 3–40, 3–41
- remote control, spare part numbers 3–27, 3–33, 3–40
- removal
 - preliminaries 4–1
 - procedures 5–1
- replacement
 - preliminaries 4–1
 - procedures 5–1
- RF cable, spare part number 3–27, 3–35
- RF input adapter cable, spare part number 3–27, 3–35
- right-side components 1–10
- RJ-11 (modem) jack
 - location 1–9
 - pin assignments D–5
- RJ-45 (network) jack
 - location 1–9
 - pin assignments D–2
- RTC battery
 - removal 5–14
 - spare part number 3–20, 3–37, 5–14

- Rubber Feet Kit, spare part number 3–37

S

- Screw Kit, spare part numbers 3–29, 3–37, 3–40
- screw listing A–1
- security cable slot 1–11
- serial number 3–1, 5–2
- service considerations 4–2
- Setup Utility 2–1
- speakers 1–15
- specifications
 - battery 6–7
 - computer 6–1
 - display 6–3
 - DVD/CD-RW Combo Drive 6–8
 - DVD±RW/R and CD-RW Combo Drive 6–10
 - hard drive 6–4
 - I/O addresses 6–15
 - interrupts 6–13
 - optical drive 6–8
 - system DMA 6–12
- static shielding materials 4–8
- S-Video-out jack
 - location 1–8
 - pin assignments D–3
- switch cover
 - removal 5–22
 - spare part numbers 3–3, 3–37, 5–22
- system board
 - removal 5–57

- spare part numbers 3–8,
3–35, 3–39, 3–41, 3–42,
5–57
- system DMA 6–12
- T**
- tools required 4–1
- top components 1–14, 1–16,
1–18
- top cover
 - removal 5–42
 - spare part numbers 3–5,
3–40, 5–42
- TouchPad 1–19
- TouchPad buttons 1–19
- TouchPad horizontal scroll
zone 1–19
- TouchPad light 1–19
- TouchPad on/off button 1–19
- TouchPad vertical scroll zone
1–19
- transporting precautions 4–5
- troubleshooting
 - audio 2–31
 - docking device 2–24
 - flowcharts 2–15
 - keyboard 2–34
 - modem 2–36
 - network 2–36
 - nonfunctioning device
2–24, 2–33
 - OS loading 2–25
 - overview 2–1
 - pointing device 2–35
 - power 2–18
 - video 2–22
- TV tuner
 - spare part numbers 3–40
- TV tuner antenna
 - spare part numbers 3–40
- TV tuner remote control, spare
part number 3–27, 3–35
- TV tuner, spare part numbers
3–27
- U**
- Universal Serial Bus (USB)
port
 - location 1–9, 1–11
 - pin assignments D–1
- unknown password 1–4
- USB digital drive, spare part
number 3–24, 3–30
- USB infrared receiver, spare
part number 3–27, 3–35
- USB/power connector board
 - removal 5–55
 - spare part numbers 3–8,
3–38, 5–55
- USB/power connector board
cable, removal 5–60
- using system restore points
B–3, C–3
- V**
- vents 1–21
- video troubleshooting 2–22
- volume mute button 1–17
- volume scroll zone 1–17
- W**
- Windows applications key
1–13
- Windows logo key 1–13

wireless antenna
 removal 5-40
 spare part number 3-22,
 3-36, 5-40
wireless laser mouse, spare
 part numbers 3-27, 3-35
wireless light 1-7
wireless switch 1-7
workstation precautions 4-6

Free Manuals Download Website

<http://myh66.com>

<http://usermanuals.us>

<http://www.somanuals.com>

<http://www.4manuals.cc>

<http://www.manual-lib.com>

<http://www.404manual.com>

<http://www.luxmanual.com>

<http://aubethermostatmanual.com>

Golf course search by state

<http://golfingnear.com>

Email search by domain

<http://emailbydomain.com>

Auto manuals search

<http://auto.somanuals.com>

TV manuals search

<http://tv.somanuals.com>