

Overview

What's New

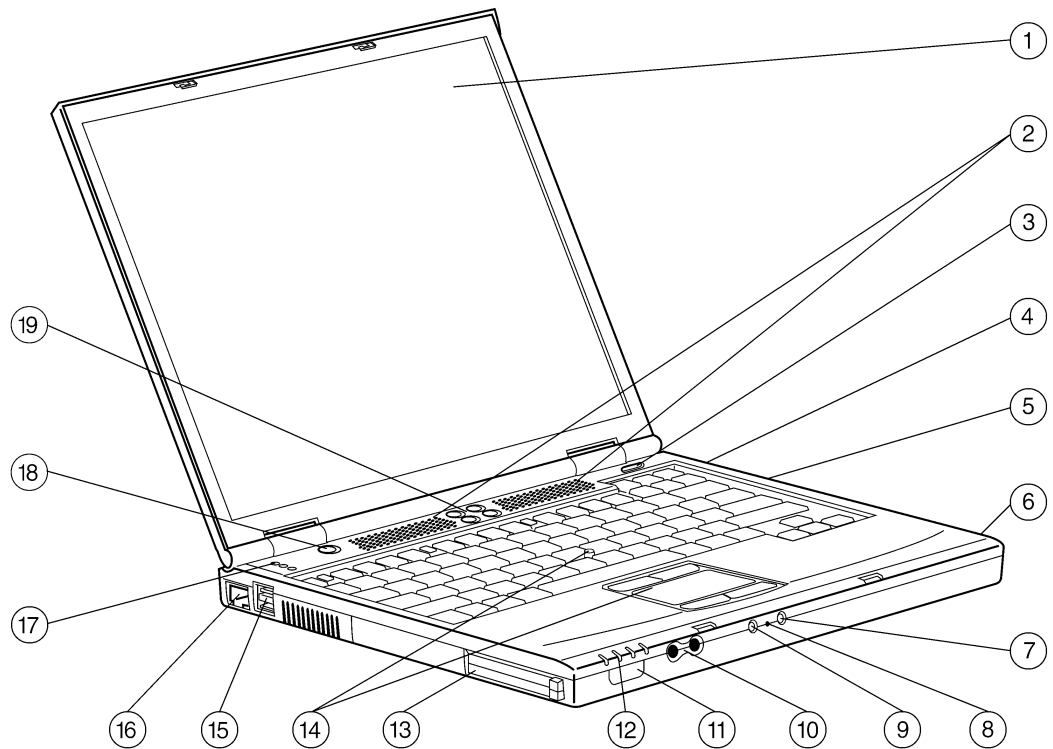
- Three-Year Onsite Warranty (select models)
- 1.2 GHz-M Mobile Intel® Pentium® III processor, 14.1-inch color TFT SXGA+ or XGA
- Microsoft Windows XP Professional or Windows 2000 single install

At A Glance

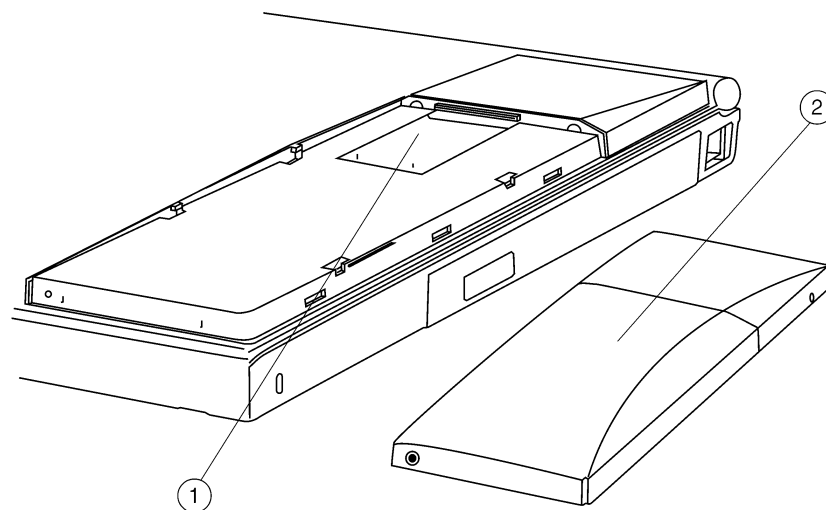
- Mobile Intel Pentium III-M 1.2 GHz processors
- 14.1-inch SXGA+ or 14.1-inch XGA display
- Configurations as light as 4.8 lb/2.2 kg weight
- 1.2 in/3.048 cm thin
- 256-MB, and 128-MB SDRAM (133 MHz), upgradeable to 1024 MB
- Up to 30-GB SMART hard drives
- User removable hard drive
- Mini PCI modem and integrated NIC
- Full-size keyboard
- Microsoft Windows XP Professional or Microsoft Windows 2000
- Includes a Three-Year Carry In, or Onsite Limited Warranty (model dependent)—Certain restrictions and exclusions apply. Consult the Compaq Customer Support Center for details.

What's Special

- From 4.8 lb/2.2 kg light
- 1.2 in/3.05 cm thin
- Over four hours of battery life
- Magnesium display enclosure
- Common docking solutions across *Armada™* E and M and most *Evo™* series notebooks
- Integrated MultiBay
- Dual battery support
- Industry leading PC lifecycle solutions



- | | |
|-------------------------|---------------------------------|
| 1. Color Display | 10. Volume Controls |
| 2. Stereo Speakers | 11. Infrared Port |
| 3. Power Switch | 12. System LEDs |
| 4. RJ-11 (Modem) | 13. PC Card Slots (2) |
| 5. MultiBay | 14. Touchpad + Pointstick |
| 6. Cable Lock Connector | 15. USB (2) |
| 7. Audio-In | 16. RJ-45 (NIC) |
| 8. Microphone | 17. Keyboard LEDs |
| 9. Headphone-Out | 18. Suspend Button |
| | 19. Easy Access Internet Button |



1. Multiport Connector

2. Multiport Module Cover

Standard Features

Processor and Panel	1.2 GHz-M Mobile Intel Pentium III with 512-KB L2 cache	
<i>One of the following:</i>	14.1-inch color TFT SXGA+ with 1400 x 1050 resolution (up to 16.7M colors internal)	
	14.1-inch color TFT XGA with 1024 x 768 resolution (up to 16.7M colors internal)	
	NOTE: Mobile Intel Pentium III-M processors support enhanced Intel SpeedStep™ technology.	
Memory	Standard 256 MB (133 MHz SDRAM) – 128-MB SODIMM in slot 1576	
	Maximum 1024 MB (133 MHz SDRAM) – 512-MB SODIMMs in slots 1 and 2	
	NOTE: Due to the non-industry standard nature of some third-party memory modules, we recommend Compaq branded memory to ensure compatibility.	
Communications	10/100 NIC integrated on system board	
	Type III Mini PCI 56K (V.90) modem	
	<i>Optional</i> Compaq 56K (V.90) modem plus Intel PRO/100+ NIC with IPSec (Internet Protocol Security)	
	NOTE: Designed only to allow faster downloads from V.90 compliant sources. Maximum achievable download transmission rates currently do not reach 56 KB/s, and will vary with line conditions.	
Keyboard	102-key compatible keyboard with isolated, inverted-T cursor control keys, and right-control key, special feature hotkeys for instant access to power conservation, QuickLock/QuickBlank (ex: FN+F6), toggle between internal and external, or simultaneous displays, battery gauge, speaker volume control, brightness and contrast. The keyboard has full size keys, 19.05 mm key pitch (center-to-center spacing), and 2.5 mm stroke.	
Easy Access Internet Buttons	The Evo Notebook N600c comes with four Easy Access Buttons designed to increase user productivity by providing one-touch access to helpful Compaq information, favorite Internet destinations, files or applications.	
Pointing Device	Dual pointing devices (both Pointstick and Touchpad)	
PC Card Slots	Two Type II, One Type III PC Card Slots which support both 32-bit CardBus and 16-bit PC Cards	
Storage	Diskette Drives	Diskette Drive (optional) USB Diskette Drive (optional)
	Optical Drives	One of the following: DVD/CD-RW Combo Drive CD-RW Drive DVD-ROM Drive or CD-ROM Drive
	Hard Drives	One of the following: 30-GB SMART Hard Drive 20-GB SMART Hard Drive

Standard Features

Multimedia	<p>Compaq <i>Premier•Sound™</i> for enhanced stereo audio Integrated 16-bit Sound Blaster Pro compatible stereo audio Integrated stereo speakers and microphone External Hardware volume controls Headphone-out Microphone in Software MPEG1 support, MPEG2 and DVD 8X DVD-ROM Drive with movie playback software (on select models) 24X CD-ROM Drive (on select models) RCA composite video/TV-out port 4X AGP graphics 32-MB or 16-MB of DDR (Double Date Rate) SDRAM</p>	
Interfaces	<p>PC Card Enhanced Parallel EPP/ECP Serial Port TV-out connector NTSC/PAL External Monitor PPS/2 External Keyboard/Pointing Device Expansion Base Headphone/Line-out Microphone in DC Power RJ-11 (modem) RJ-45 (NIC) Infrared Port USB Port LED status indicators</p>	<p>Two Type II/One Type III 1 (can be used to connect external diskette drive) 1 1 1 Supports Y-cable in order to attach both Keyboard and Mouse simultaneously 1 1 1 1 1 1 1 1 (4 Mb/s support) (IrDA 4 MB compliant. IR performance will vary depending on performance of IR peripherals and application used.) 2 (left side) 7</p>
Graphics	<p>ATI Mobility Radeon, 64-bit video graphics with 16-MB or 32-MB DDR SDRAM for increased color depth and graphics performance</p>	
Display (External)	<p>Up to 32-bit per pixel color depth Supports 640 x 480, 800 x 600, 1024 x 768, 1280 x 1024, 1400 x 1050, 1600 x 1200, or 2048 x 1536 resolutions up to 160-Hz refresh rate, dependent upon monitor capability, resolution and color depth settings</p>	
Display (Internal)	<p>14.1-inch color TFT SXGA+ with 1400 x 1050 resolution (up to 16.7M colors internal) 14.1-inch color TFT XGA with 1024 x 768 resolution (up to 16.7M colors internal)</p>	
Operating Systems	<p>Microsoft Windows XP Professional or Microsoft Windows 2000</p>	

Standard Features

Software	Compaq Insight Management Agents Diagnostics for Windows DVD Playback Software Compaq Power Management Compaq Security Management Safety and Comfort Guide Acrobat Reader Reference Guide Compaq Easy Access Button Software Altiris eXpress™ Client Software Intel SpeedStep Applet
System Recovery	Each unit is shipped with a CD kit for quick recovery (erases hard disk and restores manufacturer installed image) and software recovery (installs only selected standard software)
Intelligent Manageability	Compaq Intelligent Manageability, a key component of PC Lifecycle Solutions, is the broad set of manageability features found on Compaq <i>Deskpro</i> ™ EN desktops, Armada notebooks, Evo Clients, Professional Workstations, and <i>iPAQ</i> ™ Desksides and <i>ProLiant</i> ™ server products. These best-in-class features on PC clients comply with industry standards, such as DMI and Wired for Management, while pioneering new ground in client manageability. Compaq introduced the industry's first line of manageable clients in 1995 and has been driving the industry ever since. With Compaq's lifecycle management philosophy, enterprises have all of the pieces for end-to-end management and proven tools for hassle-free management of PCs. The combination of these tools will significantly lower the Total Cost of Ownership of managing the computing environment. Intelligent Manageability offers solutions in the areas of Initial Configuration and Deployment, Asset Tracking and Security, Software Updating and Management, and Fault Notification and Recovery. For more information, visit these Compaq Web sites: http://www.compaq.com/im ; http://www.compaq.com/easydeploy ; http://www.compaq.com/solutions/pcsolutions
Security	Configuration Control Hardware Memory Change Alert Ownership Tag Set-up Password Power-On Password DriveLock Enabled for PC SmartCard options Kensington Lock
Power Supply	External AC adapter, 6-foot/1.82-meter power cord included. Total length including External AC adapter is 12-feet/3.66-meter.
Battery	The Evo N600c provides over four hours of battery life using the standard 8-cell Lithium-Ion battery. NOTE: Actual results may vary with product model, configuration, and individual usage. Compaq results of 3:44 (hr:min) were achieved running the eTesting Labs Inc.'s BatteryMark Test version 4.0.1 on an N600c with an Intel Pentium III-M 1.20 GHz CPU, 14.1-inch SXGA+ panel, 256 MB RAM, 30-GB HDD, DVD/CD-RW, 8-cell primary Lithium-Ion battery, and NIC/modem. System parameters were set according to eTesting Labs' recommendations: panel brightness 50%, hard drive standby and video idle time three minutes, Intel Speedstep battery optimized mode. NOTE: These tests were performed without independent verification by eTesting Labs Inc. eTesting Labs Inc. makes no representations or warranties as to the result of the test. BatteryMark is a trademark of Ziff Davis Publishing Holdings Inc., and affiliate of eTesting Labs Inc., in the U.S. and other countries.

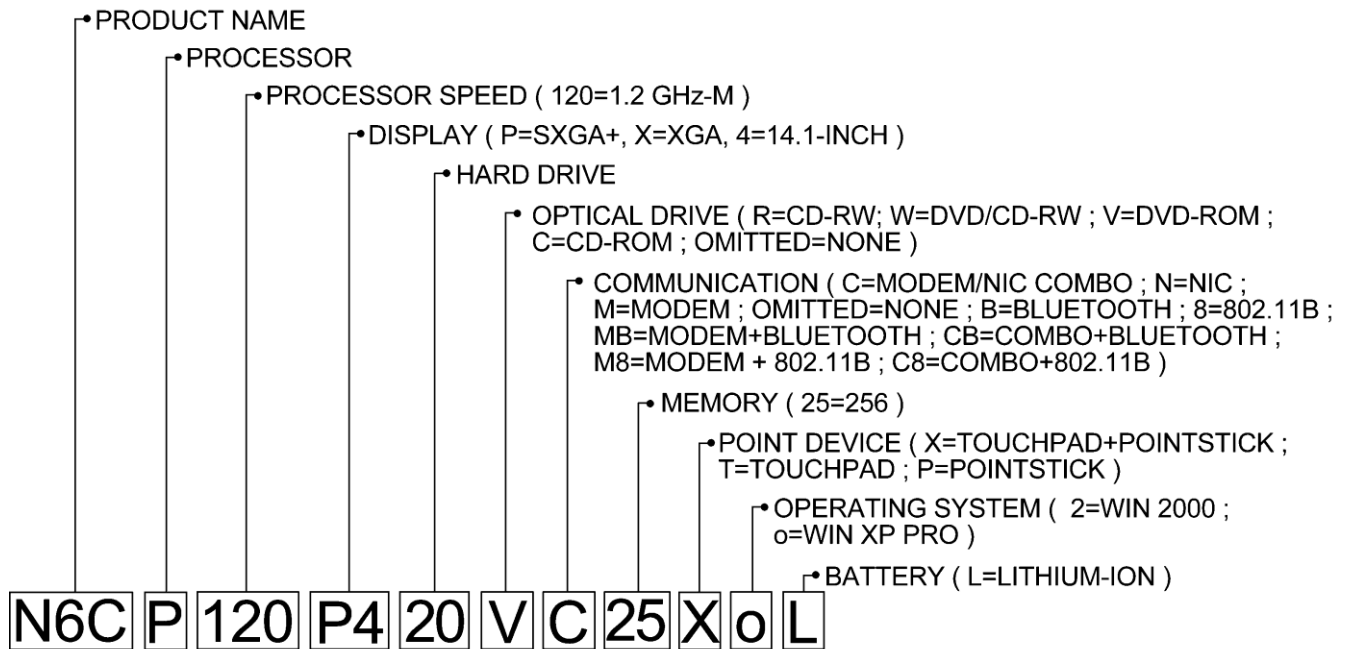
Standard Features

Power Conservation	Supports enhanced Intel SpeedStep technology (allows a Battery Optimized Mode, Maximum Performance Mode or Automatic mode) Hibernation Instant-on via Standby Pop-ups with three presets One custom level of power conservation ACPI compliant
MultiBay Devices	MultiBay devices may be swapped with the system powered on (hot) or in suspend mode (warm) under Windows 2000 or Windows XP Professional (except MultiBay secondary hard drive). MultiBay devices can be swapped with system power off under any supported operating system.
MultiPort	Integrated MultiPort expands functionality via user removable MultiPort Modules. MultiPort modules can provide integrated wireless communications and enhanced security features. MultiPort can be hot swapped with the system powered on (hot) or in suspend mode (warm) under any supported operating system. The MultiPort interface is based on the USB 1.1 Standard Specification
Service and Support	Compaq Services includes a Three-Year, Limited Warranty, carry-in or pick-up, upgrade to On-site Warranty or additional Two-Year Warranty available, and toll-free 7 x 24 hardware technical phone support. Certain restrictions and exclusions apply. Consult the Compaq Customer Support Center for details.

Standard Features

Naming Convention

The Etymology of a Model name:



Standard Features

MODELS

N6CP120X430VC25XoL <i>P/N 470053-558</i>	Display	14.1-inch color TFT XGA
	Processor	1.2 GHz-M Mobile Intel Pentium III with SpeedStep technology
	Cache Memory	512-KB, L2 Cache
	Memory	Standard 256-MB (133 MHz) DDR SDRAM Maximum 1024-MB (133 MHz) DDR SDRAM
	Optical Drive	DVD-ROM
	Hard Drive	30-GB SMART
	Communications	Type III Mini PCI 56K (V.90) modem, integrated 10/100 NIC
	Graphics	ATI Mobility Radeon, 64-bit video graphics with 16-MB DDR SDRAM
	Audio	Compaq <i>Premier•Sound</i>
	Operating System	Microsoft Windows XP Pro
	Pointing Device	Dual Pointing Device
	MultiPort	Module Cover Standard – Multiport 802.11b or Bluetooth Modules (optional)
	Warranty	3 Year Parts, 3 Years Labor, 0 Years On-Site (3-3-0)
N6CP120X430VC25X2L <i>P/N 470053-607</i>	Display	14.1-inch color TFT XGA
	Processor	1.2 GHz-M Mobile Intel Pentium III with SpeedStep technology
	Cache Memory	512-KB, L2 Cache
	Memory	Standard 256-MB (133 MHz) DDR SDRAM Maximum 1024-MB (133 MHz) DDR SDRAM
	Optical Drive	DVD-ROM
	Hard Drive	30-GB SMART
	Communications	Type III Mini PCI 56K (V.90) modem, integrated 10/100 NIC
	Graphics	ATI Mobility Radeon, 64-bit video graphics with 16-MB DDR SDRAM
	Audio	Compaq <i>Premier•Sound</i>
	Operating System	Microsoft Windows 2000
	Pointing Device	Dual Pointing Device
	MultiPort	Module Cover Standard – Multiport 802.11b or Bluetooth Modules (optional)
	Warranty	3 Year Parts, 3 Years Labor, 0 Years On-Site (3-3-0)
N6CP120X430VC25XoL <i>P/N 470053-832</i>	Display	14.1-inch color TFT XGA
	Processor	1.2 GHz-M Mobile Intel Pentium III with SpeedStep technology
	Cache Memory	512-KB, L2 Cache
	Memory	Standard 256-MB (133 MHz) DDR SDRAM Maximum 1024-MB (133 MHz) DDR SDRAM
	Optical Drive	DVD-ROM
	Hard Drive	30-GB SMART
	Communications	Type III Mini PCI 56K (V.90) modem, integrated 10/100 NIC
	Graphics	ATI Mobility Radeon, 64-bit video graphics with 32-MB DDR SDRAM
	Audio	Compaq <i>Premier•Sound</i>
	Operating System	Microsoft Windows XP Pro
	Pointing Device	Dual Pointing Device
	MultiPort	Module Cover Standard – Multiport 802.11b or Bluetooth Modules (optional)
	Warranty	3 Year Parts, 3 Years Labor, 3 Years On-Site (3-3-3)

Standard Features

MODELS (continued)

N6CP120X430VC25X2L <i>P/N 470053-840</i>	Display	14.1-inch color TFT XGA
	Processor	1.2 GHz-M Mobile Intel Pentium III with SpeedStep technology
	Cache Memory	512-KB, L2 Cache
	Memory	Standard 256-MB (133 MHz) DDR SDRAM Maximum 1024-MB (133 MHz) DDR SDRAM
	Optical Drive	DVD-ROM
	Hard Drive	30-GB SMART
	Communications	Type III Mini PCI 56K (V.90) modem, integrated 10/100 NIC
	Graphics	ATI Mobility Radeon, 64-bit video graphics with 16-MB DDR SDRAM
	Audio	Compaq <i>Premier•Sound</i>
	Operating System	Microsoft Windows 2000
	Pointing Device	Dual Pointing Device
	MultiPort	Module Cover Standard – Multiport 802.11b or Bluetooth Modules (optional)
	Warranty	3 Year Parts, 3 Years Labor, 3 Years On-Site (3-3-3)
N6CP120P430WC25XoL <i>P/N 470053-613</i>	Display	14.1-inch color TFT SXGA+
	Processor	1.2 GHz-M Mobile Intel Pentium III with SpeedStep technology
	Cache Memory	512-KB, L2 Cache
	Memory	Standard 256-MB (133 MHz) DDR SDRAM Maximum 1024-MB (133 MHz) DDR SDRAM
	Optical Drive	DVD/CD-RW Combo Drive
	Hard Drive	30-GB SMART
	Communications	Type III Mini PCI 56K (V.90) modem, integrated 10/100 NIC
	Graphics	ATI Mobility Radeon, 64-bit video graphics with 16-MB DDR SDRAM
	Audio	Compaq <i>Premier•Sound</i>
	Operating System	Microsoft Windows XP Pro
	Pointing Device	Dual Pointing Device
	MultiPort	Module Cover Standard – Multiport 802.11b or Bluetooth Modules (optional)
	Warranty	3 Year Parts, 3 Years Labor, 0 Years On-Site (3-3-0)
N6CP120P430WC25X2L <i>P/N 470023-406</i>	Display	14.1-inch color TFT SXGA+
	Processor	1.2 GHz-M Mobile Intel Pentium III with SpeedStep technology
	Cache Memory	512-KB, L2 Cache
	Memory	Standard 256-MB (133 MHz) DDR SDRAM Maximum 1024-MB (133 MHz) DDR SDRAM
	Optical Drive	DVD/CD-RW Combo Drive
	Hard Drive	30-GB SMART
	Communications	Type III Mini PCI 56K (V.90) modem, integrated 10/100 NIC
	Graphics	ATI Mobility Radeon, 64-bit video graphics with 32-MB DDR SDRAM
	Audio	Compaq <i>Premier•Sound</i>
	Operating System	Microsoft Windows 2000
	Pointing Device	Dual Pointing Device
	MultiPort	Module Cover Standard – Multiport 802.11b or Bluetooth Modules (optional)
	Warranty	3 Year Parts, 3 Years Labor, 0 Years On-Site (3-3-0)

Options

Memory	512-MB (133 MHz) DDR SDRAM Memory Upgrade	238830-B25
	256-MB (133 MHz) DDR SDRAM Memory Upgrade	197898-B25
	128-MB (133 MHz) DDR SDRAM Memory Upgrade	197897-B25
	64-MB (133 MHz) DDR SDRAM Memory Upgrade	197896-B25
Monitors	TFT8020 Flat Panel Color 18-inch (carbon)	159244-001
	TFT7010 Flat Panel Color 17-inch (carbon)	222401-001
	TFT5010 Flat Panel Color 15-inch (carbon)	154486-001
	TFT5015 Flat Panel Color 15-inch (carbon/silver)	234044-001
	TFT5030 Flat Panel Color 15-inch (carbon/silver)	228134-001
	V720 17-inch CRT (carbon/silver)	232944-001
	S720 17-inch CRT (carbon/silver)	239287-001
	V570 15-inch CRT (carbon/silver)	228113-001
MultiBay Hard Drives	30-GB SMART Hard Drive	212791-B25
	20-GB SMART Hard Drive	212790-B25
MultiBay Storage Devices	DVD/CD-RW Combo Drive	260472-B25
	CD-RW Drive	136186-B25
	DVD-ROM Drive	138230-B25
	CD-ROM Drive	298452-B25
	Diskette Drive	226935-B25
Other Storage Devices	IBM 1-GB Microdrive (PC card Device)	217390-B25
	USB Disk-on-Key (8 MB)	249552-B25
	USB Diskette Drive	230330-B25
Connectivity	Compaq Type III Mini PCI 56K (V.90) Modem and 10/100 IPSEC NIC	225638-B31
	Compaq M420 56K Global Modem	317900-001
	10/100 TX PC Card UTP Controller	335506-B21
	100 BaseTX Ethernet Upgrade	225435-001
<p>NOTE: For additional compatible PC Cards, view the Compaq PC Card Solutions List on the Compaq website at: http://www.compaq.com/support/techpubs/pcmcia/</p> <p>NOTE: Designed only to allow faster downloads from V.90 compliant sources. Maximum achievable download transmission rates currently do not reach 56 KB/s, and will vary with line conditions.</p>		
Wireless Connectivity	MultiPort 802.11b Wireless LAN W200 Module	283836-001
	Bluetooth MultiPort module	228057-B21
	Compaq WL110 Wireless LAN PC Card	191808-002
Expansion Bases	Expansion Base	383500-001
	Expansion Base with Intel NIC	120266-001
	Expansion Base Tower Stand	123129-B25
	Convenience Base	382500-001
	Convenience Base with Intel NIC	120971-001
	Convenience Base Monitor Cover	122931-001
Power	8 Cell Li-Ion Primary Battery	301857-B25

Options

Common Power Solutions	MultiBay Battery (6-cell)	387937-B25
	External Battery Charger	135555-001
	AC Adapter 65W	265602-001
	Auto Power Adapter/Charger	401043-B25
	Aircraft Power Adapter	386504-B21
	AC Line Cord (10 ft/3.1 m)	217932-002
<p>NOTE: The Universal Battery Charger (P/N 135555-001) will charge the N600c, M700 and E500 internal primary batteries and the N400c and M300 external handle batteries. It will not charge the N400c internal primary battery.</p>		
Input Devices	Wireless Keyboard and Mouse (carbon)	251385-008
	External Enhanced III Keyboard (carbon)	118003-008
	Compaq 2 Button Mouse (carbon)	103180-B21
	USB 2 Button Scroll Mouse (carbon)	195255-B25
	External 10-Key Numeric Keypad (carbon)	294317-B21
	USB EZ Access Keyboard (carbon)	222726-008
Security	Biometric PC Card	146805-B25
	Security Cable Lock	294316-B21
	Compaq Smart Card PC Card Reader	135646-B25
Invaluable Accessories	Compaq iPAQ Microportable Projector MP1200	261966-001
	Compaq iPAQ Microportable Projector MP3800	262839-001
	Compaq iPAQ Microportable Projector MP4800	257524-001
	Lamp Module L20 for MP1200	266631-B24
	Lamp Module L30 for MP3800	266633-B24
	Home Theatre Kit HT150 for MP3800	292187-B24
	Carrying Case for MP1200	295731-B24
	Lamp Replacement Kit for MP1600	118052-001
	Lamp Module for MP1800, MP1400	189789-001
	Lamp Module for MP2800, MP2810	215464-001
	Home Theater Kit HT110 for MP1410	246161-001
	Multimedia Adapter & Remote Control Kit MMA110 for MP1410	246162-001
	Multimedia Adapter & Remote Control Kit for MP1400, MP1800	174963-001
	Deluxe Carrying Case for MP Series projectors	253364-001
	Lamp Module for MP1410, MP1810	253365-001
	Lamp Module L90 for MP4800	257892-001
	Home Theater Kit HT180 for MP1200, MP4800	281729-001
	CeilingMount Kit CM10 for MP1200, MP4800	281730-001
	hp digital projector sb21	L1510A
	hp digital projector xb31	L1511A
	Ceiling Mount Kit for xb31	L1513A
	M1-A to component/USB video cable for sb21, xb31	L1523A
	M1-D to DVI/USB cable for sb21, xb31	L1529A
	Lamp Module for sb21	L1515A
	Lamp Module for xb31	L1516A
	Carrying Cases	Compaq Ultralite Case (nylon)
Compaq Ultralite Case (leather)		242359-B25
Compaq Plus Case		242360-B25
Compaq Professional Case (nylon)		242361-B25
Compaq Professional Case (leather)		242362-B25
<i>Armada M300, Evo Notebook N600c and Evo Notebook N400c specific</i> Compaq M Series Portfolio Case		167337-B21
<p>NOTE: For additional information visit http://www.compaq.com/products/notebooks/</p>		

Memory

Compaq Evo N600C

STANDARD MEMORY PLUS OPTIONAL MEMORY

Support for up to 1024 MB of DDR SDRAM memory is available with the installation of optional DDR SDRAM Memory Kits.

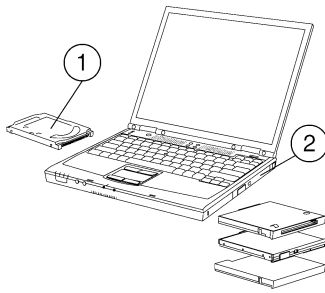
Memory	Slot 1	Slot 2
64 MB	64 MB	--
128 MB	128 MB	--
192 MB	128 MB	64 MB
256 MB	256 MB	--
384 MB	256 MB	128 MB
512 MB	512 MB	--
768 MB	512 MB	256 MB
1024 MB	512 MB	512 MB

NOTE: This chart does not represent all possible memory configurations. Due to the non-industry standard nature of some third-party memory modules, we strongly recommend using only Compaq branded memory modules to ensure compatibility.

Following are memory options available from Compaq:

• 512-MB (133 MHz) DDR SDRAM Memory Upgrade	238830-B25
• 256-MB (133 MHz) DDR SDRAM Memory Upgrade	197898-B25
• 128-MB (133 MHz) DDR SDRAM Memory Upgrade	197987-B25
• 64-MB (133 MHz) DDR SDRAM Memory Upgrade	197986-B25

Storage



1. Primary Hard drive
2. MultiBay

DRIVE SUPPORT

System Drive Support	Quantity Supported	Drive Bay Supported
Removable Media		
1.44-MB Diskette Drive	1	MultiBay or parallel port cable
DVD/CD-RW Combo Drive	1	MultiBay
CD-RW Drive	1	MultiBay
DVD-ROM Drive	1	MultiBay
CD-ROM Drive	1	MultiBay
Zip 250 Drive	1	MultiBay
Super Disk 2X LS-120 Drive	1	MultiBay
Hard Drives		
30-GB SMART Hard Drive	2	Dedicated hard drive bay and/or MultiBay
20-GB SMART Hard Drive	2	Dedicated hard drive bay and/or MultiBay

Technical Specifications

System Unit	Dimensions (H x W x D)	14.1-inch TFT panel display	1.2 x 12.1 x 9.8 in/3.1 x 30.7 x 25 cm
	Weight	14.1-inch LCD, weight saver, 1 SODIMM	4.8 lb/2.1 kg *
		14.1-inch LCD, CD-RW, DVD or CD-ROM, 1 SODIMM	5.5 lb/2.5 kg *
		NOTE: * = Weight varies by configuration.	
Stand-Alone Power Requirements	Nominal Operating Voltage (Li-Ion)	14.4V (8-cell)	
	Average Operating Power	15.8W	
	Peak Operating Power	38W	
	Power in suspend mode	< 800 mW	
	Power in hibernation mode	< 100 mW	
Power Supply	Rated Input Voltage	90 to 264 VAC (auto-switching)	
	Rated Input Current	< 60W	
	Rated Frequency	47 to 63 Hz	
Temperature	Operating	50° to 95°F/10° to 35°C	
	Non-operating	-4° to 140°F/-20° to 60°C	
Relative Humidity	Operating	10% to 90% relative humidity, non-condensing	
	Non-operating	5% to 95% relative humidity, 101.6°F/38.7°C maximum wet-bulb temperature	
Shock	Operating	10 G, 11 ms, half-sine	
	Non-operating	60 G, 11 ms, half-sine	
Vibration	Operating	0.5 G zero-to-peak, 10 to 500 Hz, 0.25 oct/min sweep rate	
	Non-operating	1.0 G, zero-to-peak, 10 to 500 Hz, 0.5 oct/min sweep rate	
Maximum Altitude (unpressurized)	Operating	0 to 10,000 ft/0 to 3,048 m	
	Non-operating	0 to 30,000 ft/0 to 9,144 m	

Technical Specifications

14.1-Inch Color TFT SXGA+ Display	Dimensions (H x W)	11.22 x 8.46 in/28.5 x 21.5 cm		
	Diagonal Size	14.1 in/35.81 cm		
	Mounting	Internal Panel Supports, Side Mounted		
	Number of Colors	Up to 16.8M		
	Contrast Ratio	150:1		
	Brightness	130 nt typ		
	Pixel Resolution	Pitch	0.204 x 0.204 mm	
		Format	1400 x 1050	
		Configuration	RGB stripe	
	Backlight	Edge Lit		
	Character Display	80 x 25		
Total Power Consumption	5.1W			

14.1-Inch Color TFT XGA Display	Dimensions (H x W)	11.22 x 8.46 in/28.5 x 21.5 cm		
	Diagonal Size	14.1 in/35.81 cm		
	Mounting	Internal Panel Supports, Side Mounted		
	Number of Colors	Up to 16.8M		
	Contrast Ratio	150:1		
	Brightness	130 nt typ		
	Pixel Resolution	Pitch	0.264 x 0.264 mm	
		Format	1024 x 768	
		Configuration	RGB stripe	
	Backlight	Edge Lit		
	Character Display	80 x 25		
Total Power Consumption	4.2W			

Technical Specifications

Hard Drives

40 GB	MultiBay Drive Adapter	Dimensions (H x W x D)	1.27 x 13.25 x 12.61 cm (0.5 x 5.21 x 4.97 in)
		Weight	0.15 lb/70 g
	Drive Weight	0.21 lb/95 g	
	Capacity	40 GB	
	Height	9.5 mm	
	Width	70 mm	
	Interface	ATA-5	
	Transfer Rate	Synchronous (maximum)	100 MB/s (Drive Capability)
		Security	ATA Security
	Seek Time (typical reads, including settling)	Single Track	3.0 ms
		Average	13 ms
		Maximum	25 ms
	Rotational Speed	4200 rpm	
	Logical Blocks	78,140,160	
	Operating Temperature	41° to 131°F/5° to 55°C	
Features	Security	ATA Security	

30 GB	MultiBay Drive Adapter	Dimensions (H x W x D)	0.5 x 5.21 x 4.97 in/1.27 x 13.25 x 12.61 cm
		Weight	0.15 lb/70 g
	Drive Weight	0.22 lb/99 g	
	Capacity	30 GB	
	Height	9.5 mm	
	Width	70 mm	
	Interface	ATA-5	
	Transfer Rate	Synchronous (maximum)	66.6 MB/s (Drive Capability)
		Security	ATA Security
	Seek Time (typical reads, including settling)	Single Track	2.5 ms
		Average	12 ms
		Maximum	23 ms
	Rotational Speed	4200 rpm	
	Logical Blocks	58,605,120	
	Operating Temperature	41° to 131°F/5° to 55°C	

Technical Specifications

Hard Drives (continued)

20 GB	MultiBay Drive Adapter	Dimensions (H x W x D)	0.5 x 5.21 x 4.97 in/1.27 x 13.25 x 12.61 cm
		Weight	0.15 lb/70 g
	Drive Weight	0.21 lb/95 g	
	Capacity	20 GB	
	Height	9.5 mm	
	Width	70 mm	
	Interface	ATA-5	
	Transfer Rate	Synchronous (maximum)	66.6 MB/s (Drive Capability)
		Security	ATA Security
	Seek Time (typical reads, including settling)	Single Track	2.5 ms
		Average	12 ms
		Maximum	23 ms
	Rotational Speed	4200 rpm	
	Logical Blocks	~ 39,070,080	
Operating Temperature	41° to 131°F/5° to 55°C		

15 GB	MultiBay Drive Adapter	Dimensions (H x W x D)	0.5 x 5.21 x 4.97 in/1.27 x 13.25 x 12.61 cm
		Weight	0.15 lb/70 g
	Drive Weight	0.21 lb/95 g	
	Capacity	15 GB	
	Height	9.5 mm	
	Width	70 mm	
	Interface	ATA-4	
	Transfer Rate	Synchronous (maximum)	66.6 MB/s (Drive Capability)
		Security	ATA Security
	Seek Time (typical reads, including settling)	Single Track	2.5 ms
		Average	12 ms
		Maximum	23 ms
	Rotational Speed	4200 rpm	
	Logical Blocks	~23,579,136	
Operating Temperature	41° to 131°F/5° to 55°C		
Features	Security	ATA Security	

Technical Specifications

Diskette Drive	MultiBay Drive	Dimensions (H x W x D)	0.5 x 5.21 x 4.97 in/1.27 x 13.25 x 12.61 cm	
		Weight	0.51 lb/230 g	
	Diskette Size	3.5 in		
	Activity Indicator	On system		
	Height	12.7 mm		
	Bytes per Sector	512		
	Sectors per track	High density	18 (1.44 MB)/15 (1.2 MB)	
		Low density	9	
	Tracks per side	High density	80 (1.44 MB)/80 (1.2 MB)	
		Low density	80	
	Read/Write heads	2		
	Access Times	Track-to track (high/low)	3 ms/6 ms	
		Average (high/low)	94 ms/174 ms	
		Settling time	15 ms	
		Latency average	100 ms	
External AC Adapter	Weight	0.39 lb/0.18 kg		
	Power Supply (Input)	Operating Voltage	90 to 260 VAC RMS	
		Operating Current	1.3 A RMS	
		Operating Frequency Range	47 to 63 Hz AC	
		Maximum Transient	4/50 kV	
Lithium-Ion Battery Pack (8-cell) (Internal)	Dimensions (L x W x D)	4.95 x 3.46 x 0.80 in/12.5 x 8.8 x 2 cm		
	Weight	0.96 lb/0.43 kg		
	Energy	Voltage	14.8 V	
		Amp-hour capacity	Minimum 3.7 Ah	
			Typical 3.9 Ah	
	Watt-hour capacity	Minimum 53.2 Ah		
		Typical 56.1 Ah		
	Temperature	Operating	32° to 108°F/0° to 42°C	
		Non-operating	32° to 140°F/0° to 60°C	
	Battery Re-Charge Time	System in OFF mode or Standby	2 hours	
System ON (depending of system power consumption)		2 to 5 hours		

Technical Specifications

MultiBay Lithium-Ion Battery Pack Dimensions (H x W x D) (6-cell)	Dimensions (H x W x D)	0.5 x 5.21 x 4.97 in/1.27 x 13.25 x 12.61 cm		
	Weight	0.81 lb/0.36 kg		
	Energy	Voltage	10.8 V	
		Amp-hour capacity	2.8 Ah	
		Watt-hour capacity	30.2 Wh	
	Temperature	Operating	32° to 122°F/0° to 50°C	
		Non-operating	32° to 140°F/0° to 60°C	
	Battery Re-Charge Time	System in OFF mode or Standby	2 hours	
System ON		2 to 5 hours		

DVD/CD-RW Combo Drive	MultiBay Drive	Dimensions (H x W x D)	0.5 x 5.21 x 4.97 in/1.27 x 13.25 x 12.61 cm	
		Weight	0.74 lb/0.33 kg	
	Center Hole Diameter	15 mm		
	Disk Diameter	12 cm/8 cm		
	Disk Thickness	1.2 mm		
	Track Pitch	0.74 µm		
	Access Times (typical reads, including settling)	Random CD	< 150 ms	
		Full-Stroke CD	< 225 ms	
	Audio Output Level	Line out	0.7 Vrms	
	Cache Buffer	128 KB/s (minimum)		
	Data Transfer Rate (typical, including settling)	CD-R (8X)	1200 KB/s (150 KB/s at 1X CD rate)	
		CD-RW (8X)	1200 KB/s (150 KB/s at 1X CD rate)	
		CD-ROM (24X)	3600 KB/s (150 KB/s at 1X CD rate)	
		DVD (8X)	10,800 KB/s (1352 KB/s at 1X DVD rate)	
		Normal PIO Mode 4 (single burst)	16.6 MB/s	
	Start-up Time	< 15 seconds		
	Stop Time	< 6 seconds		

Technical Specifications

CD-RW Drive	MultiBay Drive	Dimensions (H x W x D)	0.5 x 5.21 x 4.97 in/1.27 x 13.25 x 12.61 cm
		Weight	0.74 lb/0.33 kg
	Center Hole Diameter	15 mm	
	Disk Diameter	12 cm/8 cm	
	Disk Thickness	1.2 mm	
	Track Pitch	0.74 µm	
	Access Times (typical reads, including settling)	Random	< 150 ms
		Full-Stroke	< 225 ms
	Audio Output Level	Line-out	0.7 Vrms
	Cache Buffer	128 KB/s (minimum)	
	Data Transfer Rate (typical, including settling)	Sustained (16X)	150 KB/s
		Sustained 4X CD-RW	5,520 KB/s
		Normal PIO Mode 4 (single burst)	16.6 MB/s
	Start-up Time	< 15 seconds	
Stop Time	< 6 seconds		

DVD-ROM Drive	MultiBay Drive	Dimensions (H x W x D)	0.5 x 5.21 x 4.97 in/1.27 x 13.25 x 12.61 cm
		Weight	0.66 lb/0.3 kg
	Center Hole Diameter	15 mm	
	Disc Diameter	12 cm/8 cm	
	Disc Thickness	1.2 mm	
	Track Pitch	0.74 µm	
	Access Times (typical reads, including settling)	Random (typical)	< 150 ms DVD Media
		Full-Stroke (typical)	< 225 ms DVD Media
		Random (typical)	< 110 ms CD Media
		Full-Stroke (typical)	< 200 ms CD Media
	Cache Buffer	512 KB/s (minimum)	
	Data Transfer Rate (typical, including settling)	Max 24X CD	3600 KB/s (150 KB/s at 1X CD rate)
		Max 8X DVD	10,800 KB/s (1352 KB/s at 1X DVD rate)
		Normal PIO Mode 4 (single burst)	16.6 MB/s
Start-up Time	< 10 seconds	Single Session CD-ROM	
Stop Time	< 3 seconds		
Supported DVD RAM formats	FAT32, UDF1.02, UDF 1.5, UDF 2.0, UDF 2.01		

NOTE: Not all formats may be supported by your operating system and/or software application. For a whitepaper discussing DVD RAM-read software support go to <<http://www.compaq.com/support/>>.

Technical Specifications

24X CD-ROM Drive	MultiBay Drive	Dimensions (H x W x D)	0.5 x 5.21 x 4.97 in/1.27 x 13.25 x 12.61 cm
		Weight	0.50 lb/0.22 kg
	Applicable Disk	CD-ROM (Mode 1, 2 and 3), CD-XA ready (Mode 2, Form 1 and 2), CD-I ready (Mode 2, Form 1 and 2), CD-R (read only), CD Plus, Photo CD (Single and Multi-session), CD-Extra, Video CD, CD-WO (fixed packets only), CD-Bridge	
	Center Hole Diameter	15 mm	
	Disk Diameter	12 cm/8 cm	
	Disk Thickness	1.2 mm	
	Track Pitch	1.6 µm	
	Access Times (typical reads, including settling)	Random	< 150 ms
		Full-Stroke	< 300 ms
	Audio Output Level	Line-out	0.7 Vrms
	Cache Buffer	128 KB	
	Data Transfer Rate (typical, including settling)	Sustained (16X)	150 KB/s (sustained 1X)
		Variable	1500 to 3600 KB/s (10X to 24X)
		Normal PIO Mode 4 (single burst)	16.66 MB/s
	Start-up Time	< 8 seconds	
Stop Time	< 4 seconds		
SuperDisk 2X LS-120 Drive	MultiBay Drive	Dimensions (H x W x D)	0.5 x 5.21 x 4.97 in/1.27 x 13.25 x 12.61 cm
		Weight	0.6 lb/0.27 kg
	Maximum Transfer Rate	From Disk	896 KB/s
		Sustained:	375 to 900 KB/s
	120 MB Physical Format	Number of Heads:	2
		Bytes per Sector:	512
		Sectors per Track:	51 to 92
		Zones/Side:	55
		Data Tracks per Side:	1736
		Servo Tracks:	900
		Sector Interleave:	1:1
	Access Times (including setting)	Track-to-track:	20 ms
		Average:	70 ms
		Latency Average:	41.67
	Operating Conditions	Temperature:	41° to 131°F/5° to 55°C
Humidity:		10% to 80% RH	
Operating System Support	Microsoft Windows 95, Windows NT 4.0		
Option Kit Contents	LS-120 Drive, 17 mm MultiBay Adapter, Software, Documentation		
	NOTE: Drivers for the LS-120 Drive are standard in Windows 95/OSR2, Windows NT 3.51/SP5, and Windows NT 4.0. Use the LS-120 Option Support Diskette (included in option kit) with earlier releases of Windows 95 and NT 3.51.		

Technical Specifications

Omega Zip 250 Drive	MultiBay Drive	Dimensions (H x W x D)	5.26 x 5.24 x 5.71 in/13.35 x 13.3 x 14.5 cm	
		Weight	9.8 oz (0.27 kg) or Xg	
	Transfer Rates	250 Media: 1200 to 2400 KB/s		
		100 Media: 138 to 1400 KB/s		
	Access Times (including setting)	Track-to-track: 5 ms		
		Average: 40 ms		
		Latency Average: 10 ms		
		Maximum: 70 ms		
	Operating Conditions	Temperature: 41° to 124.7°F/5° to 51.5°C		
		Humidity: 10% to 80% RH		
Operating System Support	Microsoft Windows 95, 98, Windows NT 4.0, Windows 2000, Windows Me			
Option Kit Contents	Zip 250 Drive, Documentation			
802.11b MultiPort Module	Form Factor	Compaq "MultiPort"		
	Weight	0.22 lb/100 g (maximum)		
	Operating Temperature	Operating	14° to 149°F/-10° to 65°C	
	Storage Temperature	Non-operating	-40° to 176°F/-40° to 80°C	
	Humidity	Operating	10 to 90%	
		Non-operating	5 to 95%	
	Altitude	Operating	0 to 15,000 ft/0 to 4,572 m	
		Non-operating	0 to 40,000 ft/0 to 12,192 m	
	Plug and Play	USB 1.1 compliant		
		Windows Plug and Play compliant		
	RF Network Standard	IEEE 802 Part 11b (802.11b)		
	Frequency Band	2,4000 to 2.4835 GHz		
	Number of Selectable Sub-channels	11		
	Data Rates	1, 2, 5.5, 11 Mbps		
	Antenna type	Internally integrated within module (with special polarization diversity)		
	WEP Security	64-bit encryption keys compliant to IEEE 802.11		
		128-bit encryption key compliant to IEEE 802.11		
		Ability to enter keys manually or via pass-phrase		
	Network Architecture Models	Ad-hoc (Peer to Peer)		
Infrastructure (Access Points Required)				
Modulation Technique	Direct Sequence Spread Spectrum: DBPSK, DQPSK, CCK			

Technical Specifications

802.11b MultiPort Module (continued)	Receiver Sensitivity – Bit Error Rate (1E-5)	11 Mbps: -85 dBm	
		5.5 Mbps: -87 dBm	
		2 Mbps: -91 dBm	
		1 Mbps: -94 dBm	
	Maximum Receive Level	-4 dBm	
	Output Power (approximately)	18 dBm	
	Operating Voltage	5V power operation	
	Power Management	Keystroke Fn+F2 Power On/Off control	
	Power Consumption	Transfer mode: < 600 mA, maximum	
		Receive mode: > 400 mA, maximum	
		Standby: 1 mA, maximum	
	Transmit Power	10 to 100mW It is preferable to have the user configurable output power to save battery life for laptop users or in high AP coverage areas.	
	Power Saving Option	802.11 Compliant Power Saving	
		Power Saving Mode selectable through the configuration utility	
		ACPI compliant power management	
Media Access Protocol	CSMA/CA (Collision Avoidance) with ACK		
OS Support	Microsoft Windows XP Professional and Home Editions		
	Microsoft Windows 98/98SE		
	Microsoft Windows 2000		
	Microsoft Windows Millennium		
Protocols Supported	TCP/IP		
	IPX/SPX		
	UDP		
LED Activity	Flashing LED – AP Search Mode		
	Solid LED – On		
	LED Off – Power Off		
Throughput, Data Rate and Operating Distance	Throughput	Data Rate	Operating Distance
	> 4.5 Mbps	11 Mbps	1000 feet – Open sight 100 feet – Closed space (Steel Space)
	> 2 Mbps	5.5 Mbps	1100 feet – Open sight 200 feet – Closed space (Steel Space)
	> 700 Kbps	1 Mbps	1200 feet – Open sight 300 feet – Closed space (Steel Space)

Technical Specifications

Bluetooth MultiPort Module	Form Factor	Compaq "MultiPort"		
	Bluetooth	1.1 Compliant		
	Dimensions	2.2 x 6.6 x 0.55 in/5.6 x 16.7 x 1.4 cm		
	Weight	0.22 lb/100 g (maximum)		
	Temperature	Operating	50° to 104°F/10° to 40°C	
		Non-operating	-4° to 140°F/-20° to 60°C	
	Humidity	Operating	10 to 90%	
		Non-operating	5 to 95%	
	Altitude	Operating	0 to 10,000 ft/0 to 3,048 m	
		Non-operating	0 to 30,000 ft/0 to 9,144 m	
	Plug and Play	USB 1.1 compliant		
		Windows Plug and Play compliant		
	Frequency Band	2,4000 to 2.4835 GHz		
	Number of Available Channels	79 (1 MHz) available channels		
	Data Rates and throughput	1 Mbps		
		Synchronous Connection Oriented links up to 3, 64 kbps, voice channels		
		Asynchronous Connection Less links 723.2 kbps/57.6 kbps asymmetric or 433.9 kbps symmetric		
	Antenna type	Internally integrated within module (with special polarization diversity)		
	Range	328 ft/100 m		
	Profile Support	General Access Profile		
		Service Discovery Application Profile		
Serial Port Profile				
Generic Object Exchange Profile				
File Transfer Profile				
Synchronization Profile				
Dial-Up Networking Profile				
LAN Access Profile				
Object Push Profile				

Technical Specifications

Bluetooth MultiPort Module <i>(continued)</i>	Usage Models	Service Discovery (determine what Bluetooth devices are within range and support authorization).
		Synchronization: PDAs to PCs Portable to Desktop
		File Transfer: File and directory browsing and navigation on another Bluetooth device. File copying Object manipulation – including add, delete, create new folders etc. Wireless link to Corporate LAN using several Bluetooth devices sharing the same
		Access Point: Corporate email, network neighborhood, access to LAN applications, file transfer, ftp, Internet browsing, etc, using TCP/IP Wireless link to WAN thru cell phone GSM/SMS, PCS, PHS, DECT, RAM, ARDIS, CDPD, etc. Agnostic to WAN technology Send/receive SMS messages Wireless link to Printer Adhoc peer to peer networking (two computers) or Personal Area Networking (PAN) using NDIS (< 7 computers). Adhoc Bluetooth Pico-networking (point to multi-point) Object Push – Business card or appointment exchange
Transmit Power		< 20 dBm (Bluetooth Class 1)
Receive Sensitivity		Better than –70 dBm at 0.1% raw bit error rate
Link Topology		Point to Point, Multipoint Pico Nets up to 7 slaves
Security		Full support of Bluetooth Security Provisions
Network Architecture Models		Ad-hoc (Peer to Peer) Infrastructure (Access Points Required)
Power Requirement		Peak < 1500 mW Average < 500 mW Standby < 250 mW
Power Management		Windows ACPI, and USB Bus Support Keystrokes Fn+F2 Power On/Off control Self configurable to optimize power conservation in all operating modes, including Standby, Hold, Park, and Sniff
OS Support		Microsoft Windows XP Professional and Home Editions Microsoft Windows 98/98SE Microsoft Windows 2000 Microsoft Windows Millennium
Protocols Supported		TCP/IP IPX/SPX UDP
LED Activity		Solid Blue LED – On LED Off – Power Off
Certifications		All necessary regulatory approvals for countries we support including FCC (47 CFR) Part 15C, Section 15.247&15.249 ETS 300 328, ETS 300 826 Low Voltage Directive IEC950 UL, CSA, and CE Mark

Technical Specifications

Type III Mini PCI 56K (V.90) Modem	Modem Device Driver Name	Lucent Win Modem
	Form Factor	Mini-PCI Type III per Specification
	OS Support (with all released Service Packs)	Microsoft Windows XP Professional and Home Editions, Microsoft Windows 98 (Gold, SE), Windows NT4.0, Windows 2000, Windows Millennium Edition, DOS Application Support under Windows
	Power Management Support	APM Revision 1.2, ACPI, Compaq Power Management Extensions for Windows NT
	Approvals/Certifications	UL, CSA, NEMKO, CCIB, Industry Canada, FCC Part 68, CTR21, FCC Part 15 Class B, Canadian ICES-003 Class B, C.I.S.P.R.22, Australian ACA, CE Mark, Other Countries
	Data Mode Capabilities	V.90 (a-law, mu-law) K56 flex (a-law, mu-law) V.8 bis V.80 V42 bis, MNP5 (Compression) V.42 (LAPM, MNP2-4) (Error Correction) V.34 (file date: 10/96)
		Optional symbol rates: 2800, 3429 Asymmetric Symbol rates
		Synchronous primary channel data signaling rates: 3600, 31200 Automatic rate re-negotiation V.32bis V.32 V.23 V.22bis V.22 V.21 Bell 212A Bell 103J
	Fax Mode Capabilities	TIA-578-S (Class 1) T.30, T.4 (Group 3) V.17 V.29 V.27ter V.21 Channel 2
	Command Set	V.250 (Partial) TIA-602 Identification: +GMI, +GMM, +GMR Port control: +IPR, +ICF, +IFC, +LIRR Modulation: +MS, +MR, +MA Error control: +ES, +ER, +EB, +ESR, +ETBM Data compression: +DS, +DR V.251

Technical Specifications

Integrated 10/100 NIC	NIC Device Driver Name	Intel PRO/100 P Mobile Combo Adapter
	NIC Device Driver Name	Intel PRO/100 P Mobile Combo Adapter
	Data Link Layers	IEEE 802.2 LLC SNAP
	Ethernet Features	10 Mbps Ethernet: IEEE 802.3 standard 10BASE-T 100 Mbps Ethernet: IEEE 802.3u standard 100BASE-TX Full Duplex at 10 and 100Mbps Auto-Negotiation Wake on LAN from all power managed states, including soft off (S5) Boot on LAN from OFF Lower Power State on Link Loss
	Software support	IBM LAN Server Version 1.2, 1.3, 2.0, 4.0 Microsoft Windows XP Professional and Home Editions, Microsoft NT 3.51, NT 4.0, Windows 2000 Novell Netware 3.1x, 4.x, 5.x
	Protocol support	TCP/IP Novell IPX/SPX and Microsoft compatible Novel IPX ODI Microsoft NetBEUI IBM DLC

Compaq PCs use genuine Microsoft® Windows®

<http://www.microsoft.com/piracy/howtotell>

©2002 Compaq Information Technologies Group, L.P. All rights reserved. Compaq, the Compaq logo, Evo, Armada, Deskpro, iPAQ, ProLiant, and Premier•Sound are trademarks of Compaq Information Technologies Group, L.P. in the U.S. and/or other countries. Windows NT is a trademark of Microsoft Corporation in the U.S. and/or other countries. Pentium, the Intel Inside Logo, and SpeedStep are trademarks of Intel Corporation in the U.S. and/or other countries. BatteryMark is a trademark of Ziff Davis Publishing Holdings Inc., and affiliate of eTesting Labs Inc., in the U.S. and other countries. All other product names mentioned herein may be trademarks of their respective companies.

Compaq shall not be liable for technical or editorial errors or omissions contained herein. The information is provided "as is" without warranty of any kind and is subject to change without notice. The warranties for Compaq products are set forth in the express limited warranty statements accompanying such products. Nothing herein should be construed as constituting an additional warranty.

Free Manuals Download Website

<http://myh66.com>

<http://usermanuals.us>

<http://www.somanuals.com>

<http://www.4manuals.cc>

<http://www.manual-lib.com>

<http://www.404manual.com>

<http://www.luxmanual.com>

<http://aubethermostatmanual.com>

Golf course search by state

<http://golfingnear.com>

Email search by domain

<http://emailbydomain.com>

Auto manuals search

<http://auto.somanuals.com>

TV manuals search

<http://tv.somanuals.com>