

### COMPONENTS

#### 64-Bit, 66MHz FC Host Bus Adapter – PCI

120186-B21

#### Fibre Channel Host Bus Adapter – PCI, 32-Bit

223180-B21

#### Compaq StorageWorks 64-Bit, 33MHz PCI-to-Fibre Channel Host Bus Adapter for Tru64™

168794-B21

DS-KGPSA-CA

#### Compaq StorageWorks 64-Bit, 33MHz PCI-to-Fibre Channel Host Bus Adapter for NT

176479-B21

#### PCI-to-Fibre Channel Host Bus Adapter for Solaris

380576-001

DS-SWSA4-PC

#### 64-Bit S-Bus-to-Fibre Channel Host Bus Adapter for Solaris

123503-001

DS-SWSA4-SC

#### Fibre Channel Storage Hub 7

234453-001

#### Fibre Channel Storage Hub 12

295573-001

#### Compaq Storage Hub 12 Management Option

159262-B21

#### SW FC-AL Switch 8

177862-B21

#### SW FC-AL Switch 3-Port Expansion Module

177863-B21

### Compaq StorageWorks Enterprise Backup Solution (EBS)

Exponential growth of information has led to an enormous volume of data stored across enterprise networks. IT organizations are finding that backing up and restoring data is becoming more and more challenging. Compaq customers using Microsoft Windows NT/2000, Novell NetWare, Compaq Tru64 UNIX or Sun Solaris™ servers need a scalable, high-performance solution to meet their present and future data storage backup and restoration requirements. The Compaq StorageWorks Enterprise Backup Solution (EBS) provides a unique solution to the backup dilemma by providing a consolidated backup of multiple servers over a high speed, independent Fibre Channel storage network to centrally attached SCSI tape libraries.

Compaq understands that customers have a variety of product and solution needs based on price, performance, total cost of ownership, lower management costs, future scalability, and investment protection. To that end, Compaq has segmented EBS to fit various market segments. The Compaq StorageWorks EBS family segmentation will help provide customers with a quick understanding of which EBS solution is right for their needs.

### EBS for Workgroups

EBS for Workgroups is an entry level, Fibre Channel data protection solution for up to seven Compaq ProLiant or x86 servers in Windows NT/2000 and NetWare environments. EBS for Workgroups provides the option of configuring a backup solution with either a Fibre Channel hub, or a Fibre Channel arbitrated loop switch.

Using an FC arbitrated loop switch, is support of the RA4100 SAN which allows AIT or DLT libraries to be consolidated with disk products on the same Storage Area Network (SAN).

Using Fibre Channel hubs, EBS for Workgroups provides cost-effective solution bundles, EBS ARCPaq with Computer Associates ARCserve™ or EBS BackPaq with VERITAS Backup Exec™, at a fraction of the cost of the existing investment.

### EBS for Departments

EBS for Departments is a data protection solution that helps shrink backup windows and reduce management costs for customers with 6 to 20 ProLiant or x86 servers in Windows NT/2000 and NetWare environments. With EBS for Departments customers may employ single or cascaded 12-port fibre channel hubs to consolidate backup to a centralized library, or they may look to consolidate tape and disk resources on a fabric switch-based Storage Area Network (SAN) with the new low-cost StorageWorks Fibre Channel Switch EL-8.

Providing the backbone for a full fabric switched SAN for Windows NT, Windows 2000 and/or NetWare environments, EBS SANPaq includes the FC SAN Switch 8-EL, the Modular Data Router, and 5 licenses of backup software with SAN-enabling options. Part of the EBS for Departments product segment, SANPaq with Computer Associates ARCserve and SANPaq with VERITAS Backup Exec are perfect for storage resellers who want an off-the-shelf solution to begin deploying SANs. SANPaq allows resellers to provide added consulting services and take advantage of software option and upgrade sales without the pricing barriers normally associated with SANs.

### EBS for Data Centers

The Compaq StorageWorks Enterprise Backup Solution (EBS) for Data Centers is a Fibre Channel backup and restore solution targeted towards those customers looking to consolidate their data protection schemes across multi-vendor platforms and heterogeneous operating systems. The solution leverages the Compaq Fibre Channel 8 or 16 port FC switch and offers a customer the first Compaq SAN solution - marrying disk and tape in the same Fibre Channel domain.

The Enterprise Backup Solution for Data Centers allows multiple Windows NT/2000, Tru64 Unix, and Sun Solaris servers, attached to a Fibre Channel switch, to share a SCSI DLT or AIT Library. In addition to this device-sharing feature, servers maintain the ability to transfer data directly to the attached tape devices and will therefore continue to experience the high data transfer rates needed to keep DLT or AIT drives streaming during backup or restore - a key to maximum performance.

## COMPONENTS

(continued)

**Fibre Channel SAN Switch 8-EL**  
176219-B21

**Fibre Channel SAN Switch/8 with Fabric Operating Software**  
158222-B21

**Fibre Channel SAN Switch/16 with Fabric Operating Software**  
158223-B21

**EBS with CA ARCserve Solution Kit**  
203822-001

**EBS with Legato NetWorker Solution Kit**  
203826-001

**EBS with VERITAS Backup Exec Solution Kit**  
203824-001

**EBS with VERITAS NetBackup Solution Kit**  
203828-001

**EBS BackPaq**  
(Hub 7, MDR, Backup Exec)  
160999-B21

**EBS ARCPaq**  
(Hub 7, MDR, ARCserve)  
189960-B21

**SANPaq with Backup Exec**  
(FC SAN Sw 8-EL, MDR, Backup Exec)  
216290-B21

**SANPaq with ARCserve**  
(FC SAN Sw 8-EL, MDR, ARCserve)  
216289-B21

**FC Tape Controller – II**  
152975-001

**Modular Data Router (MDR)**  
163082-B21 (HVD)  
163083-B21 (LVD)

## QUICK REFERENCE GUIDE

	EBS BackPaq & ARCPaq	EBS for Workgroups	SANPaq	EBS for Departments	EBS for Data Centers
Recommended OS	NT/2000 and/or NetWare	NT/2000 and/or NetWare	NT/2000 and/or NetWare	NT/2000 and/or NetWare	NT/2000, Tru64, Solaris
32-Bit PCI Host Bus Adapter (Loop)	✓	✓		✓	
32-Bit PCI Host Bus Adapter (Fabric)		✓ (NW only)	✓ (NW only)	✓ (NW only)	
64-Bit, 66MHz PCI Host Bus Adapter (Loop)	✓	✓		✓	
64-Bit, 66MHz PCI HBA (Fabric)		✓ (NW only)	✓ (NW only)	✓ (NW only)	
64-Bit, 33MHz PCI HBA (Fabric)		✓ (NT/2000 only)	✓ (NT/2000 only)	✓ (NT/2000 only)	✓
DS-KGPSA-CA PCI HBA (Fabric)					✓
DS-KGPSA-BC PCI HBA (Fabric) (EOL)		✓ (NT/2000 only)	✓ (NT/2000 only)	✓ (NT/2000 only)	✓
PCI to FC HBA for Solaris					✓
64-Bit S-Bus to FC HBA for Solaris					✓
Fibre Channel Hub 7	✓	✓			
Fibre Channel Hub 12		✓		✓	
Fibre Channel Hub 12 Management Module		✓		✓	
Fibre Channel Tape Controller		✓		✓	✓
Fibre Channel Tape Controller – II		✓		✓	✓
Modular Data Router	✓	✓	✓	✓	✓
Fibre Channel Arbitrated Loop Switch 8		✓		✓	
Fibre Channel Storage Switch 8 (EOL)		✓		✓	✓
Fibre Channel Storage Switch 16 (EOL)		✓		✓	✓
Fibre Channel SAN Switch/8		✓		✓	✓
Fibre Channel SAN Switch/16		✓		✓	✓
Fibre Channel SAN Switch 8-EL		✓	✓	✓	✓
StorageWorks SSL2020 AIT Tape Library	✓	✓	✓	✓	✓ (VRTS only)
Compaq Model 35/70 DLT Library (EOL)	✓	✓	✓	✓	
Compaq StorageWorks TL891	✓	✓	✓	✓	✓
Compaq StorageWorks TL895				✓	✓
Compaq StorageWorks ESL9326D				✓	✓
StorageTek 9710 Library					✓
StorageTek 9714 Library					✓
StorageTek 9730 Library	✓	✓	✓	✓	
TaskSmart N2400 NAS Server				✓(VRTS only)	✓
EBS w/ VERITAS Backup Exec Solution Kit	✓(BackPaq)	✓	✓	✓	
EBS w/ CA ARCserve Solution Kit	✓ (ARCPaq) (NT/2000 or NetWare)	✓ (NT/2000 or NetWare)	✓	✓ (NT/2000 or NetWare)	
EBS w/ VERITAS NetBackup Solution Kit					✓
EBS w/ Legato NetWorker Solution Kit					✓

## COMPONENTS

(continued)

### MDR Option Kit

152454-B21 (HVD)  
162969-B21 (LVD)

### SSL2020 AIT Tape Library

(1 or 2 drives x 20 cartridges)  
175195-B21 (1) drive (TT)  
175195-B22 (2) drive (TT)  
175196-B21 (1) drive (rack)  
175196-B22 (2) drive (rack)

### TL891, DLT Tape Library

(2 drives x 10 cartridges)  
120875-B22 (TT)  
120876-B22 (rack)

### TL895, DLT Tape Library

(up to 7 drives x 96 cartridges)

349350-B2x\*

\*x" is no. of drives

### ESL9326D Tape Library

(up to 16 drives x 326 cartridges)

146205-B21, 0 drives, 326 slots  
146205-B23, 6 drives, 326 slots  
146205-B24, 8 drives, 326 slots  
146205-B25, 10 drives, 326 slots  
146205-B26, 12 drives, 326 slots  
146205-B27, 14 drives, 326 slots  
146205-B28, 16 drives, 326 slots  
146209-B21, add on 35/70 drive

## EBS ADAPTERS

### Fibre Channel Host Adapter (PCI) – 32 or 64 bit

#### EBS for Workgroups and EBS for Departments

The Fibre Channel Host Controller is a high-speed PCI card that provides server connectivity to the Fibre Channel Arbitrated Loop or Fibre Channel Fabric (on NetWare). The Fibre Channel Host Controller card is supplied in a kit that also includes one 5m Multi-Mode Fibre Channel Cable and two Gigabit Interface Converters (GBICs). These GBICs are required to attach the Fibre Channel cable to the Fibre Channel Host Controller card and to the Storage Hub 7, Storage Hub 12, Fibre Channel Arbitrated Loop Switch 8 or Fibre Channel SAN Switches.

### Compaq StorageWorks 64-Bit PCI-to-Fibre Channel Host Bus Adapter for NT/2000 PCI HBA (Fabric)

#### EBS for Workgroups, Departments and Data Centers

Compaq StorageWorks 64-Bit PCI-to-Fibre Channel Host Bus Adapter for NT/2000 is a single channel, 64-bit/33-MHz PCI-to-Fibre Channel Host Bus Adapter (HBA) with an embedded multi-mode (short wave) optical interface. This HBA is qualified for x86NT platforms configured with the Compaq RA8000/MA8000, ESA12000/EMA12000, NT Clustered platforms, Compaq Enterprise Backup Solution (EBS) offerings and/or Compaq Fibre Channel Switches and Compaq Fibre Channel SAN Switches. It replaces the current Compaq PCI to Fibre Channel HBA (380574-001) in NT environments, which has reached end of life.

### Compaq StorageWorks 64-Bit PCI-to-Fibre Channel HBA for Tru64 UNIX, KGPSA-CA PCI HBA (Fabric)

#### EBS for Data Centers

Compaq StorageWorks 64-Bit PCI-to-Fibre Channel Host Bus Adapter is a single channel, 64-bit/33-MHz PCI-to-Fibre Channel Host Bus Adapter (HBA) with an embedded multi-mode (short wave) optical interface. This HBA is qualified for Tru64 UNIX platforms configured with the Compaq RA8000/MA8000, ESA12000/EMA12000, Compaq Enterprise Backup Solution (EBS) offerings and/or Compaq Fibre Channel Switches and Compaq Fibre Channel SAN Switches. It replaces the Compaq PCI to Fibre Channel HBA (380574-001) in Alpha environments, which has reached end of life.

### SUN Server Fibre Channel PCI and S-Bus Adapters

#### EBS for Data Centers

These Fibre Channel Host Adapters provide Sun server connectivity to the Fibre Channel switched fabric. The GLM is required to attach the Fibre Channel Host Adapter and the FC Switch 8 or 16. The GLM converts digital signals to the optical signals required in the Fibre Channel environment.

## EBS INTERCONNECTS

### Fibre Channel Storage Hub 7

#### EBS for Workgroups

A Fibre Channel Storage Hub 7 is a 7-port Fibre Channel Hub that acts as the focal point of the Enterprise Backup Solution for Workgroups. This storage hub provides up to seven multi-mode Fibre Channel connections. For example, five servers can be connected to the storage hub leaving one or two available ports for connections to Fibre Channel Tape Controllers. The storage hub is a rack-mountable unit (with the optional rackmount kit) in a 1U form factor.

### Fibre Channel Storage Hub 12

#### EBS for Departments

A Fibre Channel Storage Hub 12 is a 12-port Fibre Channel Hub that acts as the focal point of the Enterprise Backup Solution for Departments. This storage hub provides up to 12 multi-mode or single-mode (supported in future release of EBS) Fibre Channel connections. For example, nine servers can be connected to the storage hub leaving three available ports for connections to Fibre Channel Tape Controllers. The storage hub is a rack-mountable unit with a 1U form factor.

#### Storage Hub 12 Management Option

This is an optional component that provides management for the Compaq Storage Hub 12. It shares the same physical Fibre Channel cabling and uses a channel (frequency) not shared by the Fibre Channel protocol, thus there is no loss in data integrity or bandwidth. Utilizing out-of-band communication, the module allows master hubs to monitor and control cascaded hubs without depending on general network availability.

## **EBS INTERCONNECTS** *(continued)*

### **Fibre Channel Storage Hub 12** *(continued)*

---

#### **Cascading Hub Support**

This feature certifies the addition of a second Storage Hub 12 to the Fibre Channel Arbitrated Loop. By adding a second Storage Hub 12, customers can increase the total available fibre ports on the loop. That would equate to increased device and server support. With the cascading of hubs (no more than two Storage Hub 12 per FCAL EBS), the Enterprise Backup Solution has an increased maximum configuration of up to 20 servers per solution that would require two Storage Hub 12 for connectivity. The alternative maximum configuration would support up to 14 tape drives in the Enterprise Backup Solution. Five Compaq libraries are certified in this configuration – the SSL2020TL AIT Mini-Library, the 35/70GB DLT Library, the TL891, the TL895, and the ESL9326D. The Fibre Channel Hub 7 is not cascadeable.

### **Fibre Channel Arbitrated Loop Switch 8**

---

#### **FC-AL Switch 8 for Compaq EBS and RAID Array 4X00 storage systems**

The SW FC-AL Switch 8 is an affordable, high performance switch engine interconnect component that will help you take that important step towards building a workgroup/departmental SAN. Built on a stable, easy to use, and mature FC-AL protocol, the SW FC-AL Switch offers 8 standard removable GBIC ports, or 11 ports, with an optional 3-port expansion module, all with dedicated non-blocking 100 MB/Sec point-point parallel connections. Using the SW FC-AL Switch 8 as the cornerstone of your SAN deployment, you can start by combining your primary storage components such as the RA4000/RA4100 storage systems and the Enterprise Back-up Solution (EBS) on the same SAN! The SW FC-AL Switch 8 can be easily managed using management tools such as SWCC, CIM-XE, and ACU which all access the StorageWorks FC-AL Switch Utility via the SAN Interconnect Agent. This interconnect will also offer future fabric FL-Port connectivity.

### **Fibre Channel SAN Switch 8-EL**

---

#### **Entry Level Storage Area Network (SAN) switch fabric for Compaq Enterprise Backup Solution, RAID Array 8000, ESA 12000, Modular Array (MA) 6000, MA8000 and MA12000 storage systems**

The Fibre Channel SAN Switch 8-EL delivers the same robust functionality found in Compaq's 8 port SAN switch in a new, cost reduced, entry level package. Featuring 7 fixed media short wave optical transceivers and one removable GBIC based port in a sealed 1U high chassis, the Fibre Channel SAN Switch 8-EL is an excellent choice for connecting edge devices to a larger SAN fabric or for constructing low cost full fabric SAN's. The GBIC port can be configured as either a device connection in a stand alone SAN or as a switch to switch (E-port) connection for seamlessly integrating with other Fibre Channel SAN switches. Multiple switch to switch (E-port) connections can be enabled on the SAN Switch 8-EL with the addition of the Multiple E-port Connectivity Option.

### **Fibre Channel SAN Switch 8 and 16**

---

#### **High-performance Storage Area Network (SAN) switch fabric**

A key component of Compaq's Enterprise Network Storage Architecture (ENSA), the Compaq StorageWorks Fibre Channel SAN Switch/8 and Fibre Channel SAN Switch/16 are high-performance, scalable switch fabrics designed for creating SANs with Compaq StorageWorks Modular Array 6000, RAID Array 8000/Modular Array 8000, ESA12000/EMA12000 storage systems and EBS for Data Centers. Major features of these new switch fabrics include:

- Eight (Fibre Channel SAN Switch/8) or 16 (Fibre Channel SAN Switch/16) 1 Gb/s non-blocking Fibre Channel connections for high data throughput.
- Both models pre-configured with Fabric operating software, WEB Based Management Tools and Zoning software
- Dynamic path rerouting in the event of a link failure.
- Direct fabric attached server operating system support now includes Solaris 7.
- Support for interconnecting up to four switches together (two switch hops for maximum) for creating larger SANs.
- General 10-km link distance support for switch to switch connections with optional Long-Wave GBICs.
- Multiple methods for switch management.
- Hot pluggable power supplies and optional second power supply.
- Redundant, hot pluggable cooling fans on both switches.
- Backward compatibility between new Fibre Channel SAN switches and previous Fibre Channel switches.

## **EBS INTERCONNECTS** *(continued)*

### **Modular Data Router**

---

#### **EBS for Workgroups, Departments and Data Centers**

The Compaq StorageWorks Modular Data Router (MDR) is a 1U Fibre Channel-to-SCSI bridge that allows a differential SCSI tape device (both LVD and HVD) to communicate with other devices over Fibre Channel. Each MDR has a single Fibre Channel connection and two SCSI buses supporting up to four DLT 35/70 or AIT tape drives per controller. An optional card allows four more tape drives to be supported for a maximum of eight drives supported by a single controller. The dual-connector SCSI channels support the DLT Library Model 35/70, TL891, TL895, ESL9326D and SSL2020 tape libraries. The Modular Data Router includes a rack mount kit.

### **Fibre Channel Tape Controller-II**

---

#### **EBS for Workgroups, Departments and Data Centers**

The Compaq StorageWorks Fibre Channel Tape Controller-II is a 1U Fibre Channel-to-SCSI bridge that allows a differential SCSI tape device to communicate with other devices over a Fibre Channel. Each Fibre Channel Tape Controller-II has a single Fibre Channel connection and two SCSI buses supporting a maximum of four DLT 35/70 tape drives per controller. The dual-connector SCSI channels support the DLT Library Model 35/70, TL891, TL895, and ESL9326D tape libraries. The Fibre Channel Tape Controller-II includes a rack mount kit.

## **EBS LIBRARIES**

One of the most important components of the Enterprise Backup Solution is the automated tape library. Compaq supports both DLT and AIT library products:

- Compaq StorageWorks SSL2020 AIT Tape Library
- Compaq StorageWorks TL891 DLT Library
- Compaq StorageWorks TL895 DLT Library
- Compaq StorageWorks ESL9326D Tape Library

Driving the Open SAN, Compaq has certified the following third-party library products with the Enterprise Backup Solution:

- StorageTek 9710, 9714, 9730 Libraries

### **SSL2020 AIT Tape Library**

---

#### **EBS for Workgroups, Departments, and Data Centers**

The SSL2020AIT Tape Library offers 1 Terabyte (native) of storage in a 4U Table Top or Rack configuration. The SSL2020 single or dual drive module is the first step to building a 10 drive, 100-slot library, for a total of 10 Terabytes in a 20U space. The Compaq SSL2020 is qualified with Windows NT & Windows 2000, NetWare, Tru64 Unix and Solaris.

### **TL891 DLT Library**

---

#### **EBS for Workgroups, Departments, and Data Centers**

The TL891 is offered as a stand-alone tabletop unit or as a scalable/stackable rackmount unit, with a removable 10 cartridge magazine, and integrated bar code reader and two Compaq 35/70 DLT drives. The TL891 is built on a modular concept, offering unparalleled scalability and the ability to custom configure a rack mount solution to meet specific performance and capacity requirements. With 10 data cartridges, the TL891 base unit offers 700 GB of compressed storage capacity in a small 4U height.

### **TL895 DLT Library**

---

#### **EBS for Departments and EBS for Data Centers**

The TL895 offers multiple terabytes of automated DLT backup and restoration for mission-critical data running in mixed operating environments. It is a high-capacity DLT device fully qualified by Compaq to run on both ProLiant and Alpha Series servers. The TL895 is also qualified on all Alpha/Intel based servers running Windows NT/2000, NetWare, Tru64 UNIX, and OVMS operating systems, using industry-standard application software as a directly attached storage device. For use with the Enterprise Backup Solution, the TL895 is certified for use with Intel-based ProLiant running Windows NT/2000 or NetWare, Alpha based servers running Tru64 UNIX, and Sun Solaris servers.

---

## **EBS LIBRARIES** *(continued)*

### **ESL9326D Tape Library**

---

#### **EBS for Departments and Data Centers**

The first offering in the Compaq StorageWorks ESL9000 Enterprise Storage Library family, the ESL9326D provides highly reliable automated backup and restoration capabilities within the enterprise storage market. Containing 326 slots and up to 16 Compaq 35/70 DLT drives, the ESL9326D has a native capacity of 11.4 terabytes and a throughput of up to 288 GB/hour. The ESL9000 platform also offers high availability and scalability features not normally found in tape libraries. With a PCI backplane incorporated into its architecture, ESL9000 libraries will be able to easily accept future product enhancements, such as Fibre channel cards, network administration cards, hardware RAIT, or a library thin server card for direct NAS control.

### **StorageTek 9710, 9714, 9730 Libraries**

---

#### **EBS for Workgroups, Departments and Data Centers**

For product information and technical specifications on the StorageTek libraries, consult <http://www.storageetek.com>

## **EBS SOLUTION KITS**

The EBS kits provide the software, drivers, and documentation needed to get your solution up and running. There are four kits, one for each software application.

### **EBS with Computer Associates ARCserve//TARCserve2000 Solution Kit**

---

#### **EBS for Workgroups, Departments**

This kit contains 30 day, trial software for Computer Associates ARCserve//TARCserve2000 and the Enterprise Library Option, a users guide for EBS with CA ARCserve//TARCserve2000, and a Storage Products Documentation CD.

### **EBS with Legato NetWorker Solution Kit**

---

#### **EBS for Data Centers**

This kit contains 30 day, trial software for Legato NetWorker and Smart Media, a users guide for EBS with Legato NetWorker, an EBS Driver Paq CD, and a Storage Products Documentation CD.

### **EBS with VERITAS Backup Exec Solution Kit**

---

#### **EBS for Workgroups, Departments**

This kit contains 30 day, trial software for Backup Exec and Shared Storage Option, a user's guide for EBS with VERITAS Backup Exec, and a Storage Products Documentation CD.

### **EBS with VERITAS NetBackup Solution Kit**

---

#### **EBS for Data Centers**

This kit contains a user's guide for EBS with VERITAS NetBackup, an EBS Driver Paq CD, a Storage Products Documentation CD and a VERITAS NetBackup documentation CD. Contact VERITAS to obtain the NetBackup and Shared Storage Option software.

## EBS BUNDLES

The EBS BackPaq and EBS ARCPaq are designed to make the EBS for Workgroups even more affordable to the growing sets of Microsoft NT/2000 and Novell NetWare customers looking for consistent, consolidated, high speed backup and restoration. Compaq has partnered with VERITAS Software and Computer Associates to provide five server licenses packed with Compaq's Storage Hub 7 and Modular Data Router. This bundle, plus a Compaq DLT or AIT library, and five Fibre Channel PCI adapters, is a complete EBS for Workgroups solution. The combination of these components and the EBS bundle is equivalent in price to external tape drives attached to five ProLiant servers. The benefits that the EBS BackPaq/ARCPaq solution offers are centralization, automation, performance, scalability, deployment over longer distances, Fibre Channel infrastructure for future enhancements, and investment protection for the same price as direct SCSI attach tape drives. EBS BackPaq also allow NT/2000 and NetWare servers on the same loop to share the tape device.

EBS SANPaq with VERITAS Backup Exec and EBS SANPaq with Computer Associates ARCserve bring the low cost affordability that the EBS BackPaq introduced to departmental customers. The SANPaqs include a Fibre Channel SAN Switch 8-EL, Modular Data Router and software licenses and media for five Windows NT/2000 and/or NetWare servers. With the low cost switch included in the SANPaq, customers can integrate their Compaq MA6000, MA8000 and/or EMA12000 onto the same Fibre Channel fabric as their Fibre Channel backup solution. Five Fibre Channel PCI adapters, a Compaq DLT or AIT library, will complete this solution.

---

### EBS SANPaq with VERITAS Backup Exec

#### EBS for Departments

SANPaq with VERITAS Backup Exec is a bundled configuration of the Fibre Channel SAN Switch 8-EL, Modular Data Router and VERITAS Backup Exec and Shared Storage Option licenses for five Windows NT/2000 and/or NetWare servers.

---

### EBS SANPaq with Computer Associates ARCserve

#### EBS for Departments

SANPaq with Computer Associates ARCserve is a bundled configuration of the Fibre Channel SAN Switch 8-EL, Modular Data Router and Computer Associates ARCserve and SAN Option licenses for five Windows NT/2000 or NetWare servers.

---

### EBS BackPaq with VERITAS

#### EBS for Workgroups

EBS BackPaq is a bundled configuration of the Hub7, Modular Data Router and VERITAS Backup Exec and Shared Storage Option licenses for five Windows NT/2000 and/or NetWare servers.

---

### EBS ARCPaq with Computer Associates

#### EBS for Workgroups

EBS ARCPaq is a bundled configuration of the Hub7, Modular Data Router and Computer Associates ARCserve and SAN Option licenses for five Windows NT/2000 or NetWare servers.

## SERVICE & SUPPORT, CAREPAQ AND WARRANTY INFORMATION

### Software Product Services

- Standalone telephone support
- Rights to new license version
- Media and documentation updates

### Hardware Product Services

- Installation services
- On-site maintenance (includes warranty support)
- Response time upgrades during the warranty period
- Post-warranty coverage
- RAID setup and performance consulting via statement of work

For additional hardware installation and maintenance information, please refer to the URLs listed below:

[http://www.compaq.com/services/hardware/hw\\_installation.html](http://www.compaq.com/services/hardware/hw_installation.html)

[http://www.compaq.com/services/hardware/hw\\_maintenance.html](http://www.compaq.com/services/hardware/hw_maintenance.html)

**Note:** These Web sites are available in English only.

### Warranty Upgrade Options

- Response - Upgrade on-site response from next business day to same day 4 hours
- Coverage - Extend hours of coverage from 9 hours x 5 days to 24 hours x 7 days
- Duration - Select duration of coverage for a period of 1, 3, or 5 years

### CarePAQ Information

Sample part numbers:

- FM-\*\*XHW-36, 3 year, uplift to 5 x 9, Next Day Response
- FM-\*\*4HR-36, 3 year, uplift to 5 x 9, 4-hour Response
- FM-\*\*724-36, 3 year, uplift to 7 x 24, 4-hour Response

\*\* represents a two digit product specific code

- CarePAQ is defined as an upgrade to the product warranty attribute, available for a specific duration and hours of coverage.
- CarePAQ is not available for less than the product's warranty duration.
- CarePAQ is available for sale anytime during the warranty period for most products, but the commencement date will be the same as the Warranty Start Date (delivery date to end user customer). Proof of purchase may be required.
- CarePAQ services are prepaid.

For additional CarePAQ (hardware & software) information, as well as orderable part numbers, please refer to the URL listed below:

<http://www.compaq.com/services/carepaq/index.html>

**Note:** This Web site is available in English only.

### Components

The following brick level options/components do not have individual CarePAQs. These items will be included in product CarePAQs into which they are installed.

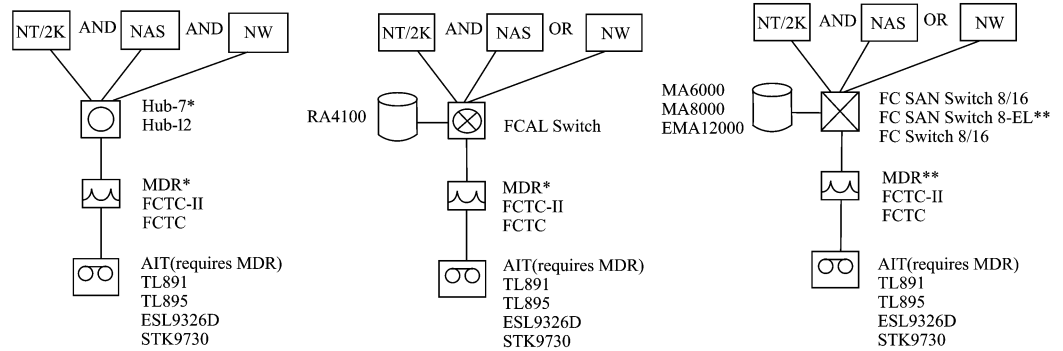
Disk Drives	Tape Drives	CD/DVD ROM	SCSI Hubs in SBBs	Adapters
Bus Converters	Backplane RAID Controllers	Power Supplies	Cabling	Fans

Certain restrictions and exclusions apply. Consult the Compaq Customer Support Center for details. In Canada, consult the Product Information Centre at 1-888-88-COMPAQ.



### CONFIGURATION QUICK REFERENCE GUIDE

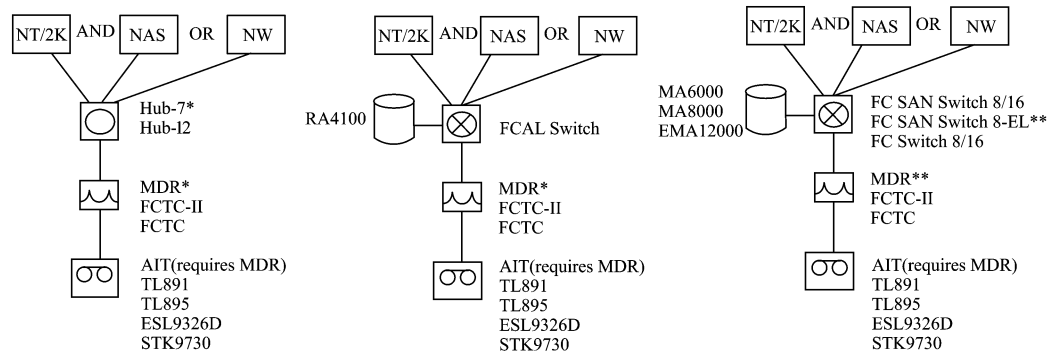
#### EBS with Backup Exec Certified Configurations



\*EBS BackPaq bundle including Backup Exec and SSO Licenses for 5 servers\*

\*\*EBS SANPaq bundle including Backup Exec and SSO Licenses for 5 servers

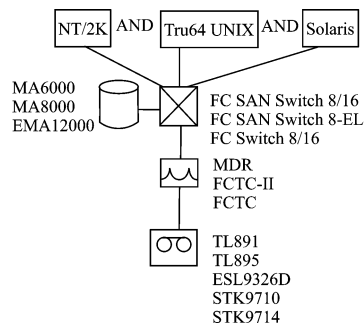
#### EBS with Computer Associates ARCserve Certified Configurations



\*EBS ARCPaq bundle including ARCserve and SAN Option Licenses for 5 servers

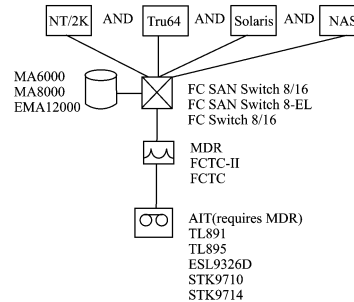
\*\*EBS SANPaq bundle including ARCserve and SAN Option Licenses for 5 servers

#### EBS with Legato NetWorker Certified Configurations



## CONFIGURATION QUICK REFERENCE GUIDE *(continued)*

### EBS with VERITAS NetBackup Certified Configurations



## SPECIFICATIONS

Refer to the following QuickSpecs for details on individual components. These QuickSpecs can be found at: <http://www.compaq.com/quickspecs>. **Note:** This Web site is available in English only. Select appropriate Geographic Region, e.g. Worldwide or North America, and then select Storage Products

### Switches, Hubs and Interconnects

- Fibre Channel Storage Switch, 8/16 port
- Fibre Channel SAN Switch 8/16 port with Fabric Software
- Fibre Channel Storage Hub-7
- Fibre Channel Storage Hub-12
- Fibre Channel Arbitrated Loop (FC-AL) Switch
- Modular Data Router
- Fibre Channel Tape Controller-II

### Tape Drives and Libraries

- ESL9326D Tape Library
- TL895 Tape Library
- TL891 Tape Library
- SSL2020 AIT Tape Library

**Compaq recommends Windows 2000 Professional for business.**

(C)2000 Compaq Computer Corporation. All rights reserved. Compaq is a trademark of Compaq Computer Corporation. The information in this publication is subject to change without notice. Printed in Canada.

## Free Manuals Download Website

<http://myh66.com>

<http://usermanuals.us>

<http://www.somanuals.com>

<http://www.4manuals.cc>

<http://www.manual-lib.com>

<http://www.404manual.com>

<http://www.luxmanual.com>

<http://aubethermostatmanual.com>

Golf course search by state

<http://golfingnear.com>

Email search by domain

<http://emailbydomain.com>

Auto manuals search

<http://auto.somanuals.com>

TV manuals search

<http://tv.somanuals.com>