



## Compaq DPW Enhanced a-Series & au-Series V4.0—6 January 2000 Systems and Options Catalog

### Product Description

Compaq DPW Workstations are available from Workstation Sales Specialists and through qualified distribution partners. A list of eligible partners is available from your local Compaq Sales Office.

Compaq DPW Workstations are available as:

- System Building Blocks are designed for “a la carte” ordering. System Building Blocks (SBB) contain a system kernel; no memory, no hard disk drive, no graphics and no keyboard nor country kit included. Additional options are factory integrated and shipped as a complete system. Mandatory options required for shipment are defined in this document.
- Packaged Systems are designed for ease of ordering and stocking. Packaged systems contain a system kernel, system memory, 9.1 GB Wide Ultra-2 SCSI disk drive, onboard Wide Ultra-2 disk adapter, and factory-installed operating system either Windows NT Workstation, Tru64 UNIX, or OpenVMS. Additional options can be factory integrated into Compaq DPW packaged systems.

Compaq DPW Workstations come standard with a three-year limited warranty. Year one features on-site service; years two and three are return to Compaq service, parts only. This warranty represents one of the most comprehensive in the industry.

---

Compaq and the names of Compaq products referenced herein are either trademarks and/or service marks or registered trademarks and/or service marks of Compaq.

DIGITAL is a Trademark of Compaq Computer Corporation.

Microsoft, Windows, Windows NT, SQL Server, Office and BackOffice are either trademarks or registered trademarks of Microsoft Corporation.

Intel and Pentium are registered trademarks of Intel Corporation.

Other product and company names mentioned herein may be trademarks and/or service marks of their respective owners.

## Step 1—Compaq DPW Workstations

### Compaq DPW Workstations a-Series 500a, 600a—Windows NT, and Compaq DPW au-Series Workstations 500au, 600au—Tru64 UNIX and OpenVMS feature

#### Short tower enclosure with

- Alpha microprocessor 21164 500/600 MHz CPU  
Compaq DPW Workstations a-Series, **or**
- Alpha microprocessor 21164 500/600 MHz CPU  
Compaq DPW Workstations au-Series.
- Optional 4 MB cache
- Five I/O slots
  - Two PCI
  - Three PCI/ISA
- Three DIMM banks (six slots) (1.5 GB maximum)
- Six storage bays
  - Two 3.5-inch x 1-inch hard disk drive bays
  - One dedicated floppy disk bay
  - One dedicated 5.25-inch CD-ROM removable media bay
  - Two additional removable media bays
- 300 W power supply
- Onboard Qlogic Wide Ultra SCSI Adapter
- Onboard 16-bit audio (not supported on OpenVMS)
- 10/100 BaseT Ethernet  
Twisted pair (ThinWire—optional)
- 1.44 MB diskette drive.
- 32X CD-ROM drive.
- Factory installed software
  - Compaq DPW a-Series Windows NT 4.0 includes Windows NT base license, or
  - Compaq DPW au-Series Tru64 UNIX V4.0F includes Tru64 UNIX Performance Personal Workstations License Package with Tru64 UNIX base 2 user license, and Open3D for Tru64 UNIX License, or
  - Compaq DPW au-Series OpenVMS 7.2-1 includes OpenVMS System Value License Package with OpenVMS Alpha base 2 user license, NAS Client 150 Traditional License, and Open3D for OpenVMS License.

#### Base Systems

- Selection of a System and Country Kit is mandatory.

#### a-Series—Windows NT System Building Blocks (500 MHz and 600 MHz)

Order Number	CPU	Operating System	Memory / Cache / Disk	Graphics	Controller	Country Kit
SN-B3DCP-A2 <sup>1</sup>	500a	Windows NT 4.0	0 MB / 0 MB / 0 GB	Mandatory	UltraSCSI	Mandatory
SN-B3ECP-A2 <sup>1</sup>	600a	Windows NT 4.0	0 MB / 0 MB / 0GB	Mandatory	UltraSCSI	Mandatory

#### a-Series—Windows NT Packaged Systems (500 MHz and 600 MHz)

SN-B3DCP-SD	500a	Windows NT 4.0	128 MB / 0 MB / 9.1 GB	Mandatory	UltraSCSI	Mandatory
SN-B3DCP-SH	500a	Windows NT 4.0	512 MB / 0 MB / 9.1 GB	Mandatory	UltraSCSI	Mandatory
SN-B3ECP-SB	600a	Windows NT 4.0	64 MB / 0 MB / 9.1 GB	Mandatory	UltraSCSI	Mandatory
SN-B3ECP-SD	600a	Windows NT 4.0	128 MB / 0 MB / 9.1 GB	Mandatory	UltraSCSI	Mandatory
SN-B3ECP-SH	600a	Windows NT 4.0	512 MB / 0 MB / 9.1 GB	Mandatory	UltraSCSI	Mandatory

#### au-Series—Tru64 UNIX System Building Blocks (500 MHz and 600 MHz)

Order Number	CPU	Operating System	Memory / Cache	Graphics	Controller	Country Kit
SN-B3DCU-A2 <sup>1</sup>	500au	Tru64 UNIX	0 MB / 0 MB / 0 GB	Optional	UltraSCSI	Mandatory
SN-B3ECU-A2 <sup>1</sup>	600au	Tru64 UNIX	0 MB / 0 MB / 0 GB	Optional	UltraSCSI	Mandatory

#### au-Series—Tru64 UNIX Packaged Systems (500 MHz and 600 MHz)

SN-B3DCU-SB	500au	Tru64 UNIX	64 MB / 0 MB / 9.1 GB	Optional	UltraSCSI	Mandatory
SN-B3DCU-SD	500au	Tru64 UNIX	128 MB / 0 MB / 9.1 GB	Optional	UltraSCSI	Mandatory
SN-B3DCU-SH	500au	Tru64 UNIX	512 MB / 0 MB / 9.1 GB	Optional	UltraSCSI	Mandatory
SN-B3ECU-SB	600au	Tru64 UNIX	64 MB / 0 MB / 9.1 GB	Optional	UltraSCSI	Mandatory
SN-B3ECU-SD	600au	Tru64 UNIX	128 MB / 0 MB / 9.1 GB	Optional	UltraSCSI	Mandatory
SN-B3ECU-SH	600au	Tru64 UNIX	512 MB / 0 MB / 9.1GB	Optional	UltraSCSI	Mandatory

**Step 1—Compaq DPW Workstations (continued)****au-Series—OpenVMS System Building Blocks (500 MHz and 600 MHz)**

Order Number	CPU	Operating System	Memory / Cache/ Disk	Graphics	Controller	Country Kit
SN-B3DCV-A2 <sup>1</sup>	500au	OpenVMS	0 MB / 0 MB / 0 GB	Optional	UltraSCSI	Mandatory
SN-B3ECV-A2 <sup>1</sup>	600au	OpenVMS	0 MB / 0 MB / 0 GB	Optional	UltraSCSI	Mandatory

**au-Series—OpenVMS Packaged Systems (500 MHz and 600 MHz)**

SN-B3DCV-SB	500au	OpenVMS	64 MB / 0 MB / 9.1 GB	Optional	UltraSCSI	Mandatory
SN-B3DCV-SD	500au	OpenVMS	128 MB / 0 MB / 9.1 GB	Optional	UltraSCSI	Mandatory
SN-B3DCV-SH	500au	OpenVMS	512 MB / 0 MB / 9.1 GB	Optional	UltraSCSI	Mandatory
SN-B3ECV-SB	600au	OpenVMS	64 MB / 0 MB / 9.1 GB	Optional	UltraSCSI	Mandatory
SN-B3ECV-SD	600au	OpenVMS	128 MB / 0 MB / 9.1 GB	Optional	UltraSCSI	Mandatory
SN-B3ECV-SH	600au	OpenVMS	512 MB / 0 MB / 9.1 GB	Optional	UltraSCSI	Mandatory

1. Selection of a memory option and a hard disk drive is mandatory.

**Step 2—Country Kit**

- Selection of a country kit is mandatory for the system to be operational. Only one country kit allowed per system.
- Tru64 UNIX/OpenVMS country kits includes two country-specific power cords, user documentation and mouse. Tru64 UNIX or OpenVMS license is included with system.
- Windows NT country kit includes two country-specific power cords, user documentation, mouse, operating system license, media and documentation. Country kit ordered determines language of operating system factory installed.
- Bulk system orders must include Country Kits equal to the total number of systems ordered.

Country	Windows NT 4.0 a-Series	Windows NT 4.0 Language	Tru64 UNIX V4.0F and OpenVMS V7.2-1 au-Series	
<b>Americas</b>				
United States	SN-PBB4P-AA	English	SN-PBB4U-AA	English
French Canada	SN-PBB4P-AC	French	SN-PBB4U-AC	French
LACR-Spanish	SN-PBB4P-AR	Spanish	SN-PBB4U-AR	Spanish
<b>Europe</b>				
Belgium	SN-PBB4P-AB	English	SN-PBB4U-AB	French
Denmark	SN-PBB4P-AD	Danish	SN-PBB4U-AD	English
United Kingdom	SN-PBB4P-AE	English	SN-PBB4U-AE	English
Finland	SN-PBB4P-AF	Finish	SN-PBB4U-AF	English
Germany	SN-PBB4P-AG	German	SN-PBB4U-AG	German
Netherlands	SN-PBB4P-AH	Dutch	SN-PBB4U-AH	English
Italy	SN-PBB4P-AI	Italian	SN-PBB4U-AI	Italian
Switzerland	SN-PBB4P-AK	French	SN-PBB4U-AK	French
Switzerland/German	SN-PBB4P-AL	German	SN-PBB4U-AL	English
Sweden	SN-PBB4P-AM	Swedish	SN-PBB4U-AM	English
Norway	SN-PBB4P-AN	Norwegian	SN-PBB4U-AN	English
France	SN-PBB4P-AP	French	SN-PBB4U-AP	French
Spain	SN-PBB4P-AS	Spanish	SN-PBB4U-AS	Spanish
Israel	SN-PBB4P-AT	Hebrew	SN-PBB4U-AT	English
Portugal	SN-PBB4P-AV	English	SN-PBB4U-AV	English
Greece	SN-PBB4P-BH	English	SN-PBB4U-BH	English
Poland	SN-PBB4P-BP	Polish	SN-PBB4U-BP	English
Hungary	SN-PBB4P-BQ	Hungarian	SN-PBB4U-BQ	English

**Step 2—Country Kit (continued)**

Country	Windows NT 4.0 a-Series	Windows NT 4.0 Language	Tru64 UNIX V4.0F and OpenVMS V7.2-1 au-Series	
<b>Europe (continued)</b>				
Arabia	SN-PBB4P-BR	Arabic	SN-PBB4U-BR	English
Russia	SN-PBB4P-BT	Russian	SN-PBB4U-BT	English
Turkey	SN-PBB4P-BU	English	SN-PBB4U-BU	English
Serbia	SN-PBB4P-BY	English	SN-PBB4U-BY	English
Iceland	SN-PBB4P-CQ	English	SN-PBB4U-CQ	English
Czechoslovakia/Republic	SN-PBB4P-CZ	Czech	SN-PBB4U-CZ	English
European	SN-PBB4P-EC	English	SN-PBB4U-EC	English
<b>Asia Pacific</b>				
Japan	SN-PBB4P-AJ	Japanese	SN-PBB4U-AJ	Japanese
Taiwan	SN-PBB4P-BI	Trad. Chinese	SN-PBB4U-BI	English
South Korea	SN-PBB4P-BK	Korean	SN-PBB4U-BK	English
Far East	SN-PBB4P-CA	English	SN-PBB4U-CA	English
Philippines	SN-PBB4P-CE	English	SN-PBB4U-CE	English
Vietnam	SN-PBB4P-CG	English	SN-PBB4U-CG	English
Thailand	SN-PBB4P-CP	Thai	SN-PBB4U-CP	English
China	SN-PBB4P-CV	Simple Chinese	SN-PBB4U-CV	English

**Step 3—Keyboards**

- Selection of a keyboard is optional but required for system operation.

Windows NT Keyboard	Tru64 UNIX Keyboard	OpenVMS Keyboard	Language
<b>Americas</b>			
SN-LKQ97-AA	SN-LKQ47-AA	LK461-A2	US/UK/English
SN-LKQ97-AC	SN-LKQ47-AC	LK461-AC	Canadian/French
—	—	LK461-AQ	Canadian/English
SN-LKQ97-AR	SN-LKQ47-AR	—	Latin American/Spanish
SN-LKQ97-AU	—	—	Brazilian
<b>Europe</b>			
SN-LKQ97-AB	SN-LKQ47-AB	LK461-AB	Belgian
SN-LKQ97-AD	SN-LKQ47-AD	LK461-AD	Danish
SN-LKQ97-AE	SN-LKQ47-AE	—	UK
SN-LKQ97-AF	SN-LKQ47-AF	LK461-AF	Finnish
SN-LKQ97-AG	SN-LKQ47-AG	LK461-AG	German
SN-LKQ97-AH	SN-LKQ47-AH	LK461-AH	Dutch
SN-LKQ97-AI	SN-LKQ47-AI	LK461-AI	Italian
SN-LKQ97-AK	SN-LKQ47-AK	LK461-AK	Swiss/French
—	—	LK461-AL	Swiss/German
SN-LKQ97-AM	SN-LKQ47-AM	LK461-AM	Swedish
SN-LKQ97-AN	SN-LKQ47-AN	LK461-AN	Norwegian
SN-LKQ97-AP	SN-LKQ47-AP	LK461-AP	French
SN-LKQ97-AS	SN-LKQ47-AS	LK461-AS	Spanish
SN-LKQ97-AT	SN-LKQ47-AT	LK461-AT	Hebrew
SN-LKQ97-AV	SN-LKQ47-AV	LK461-AV	Portuguese

**Step 3—Keyboards (continued)**

Windows NT Keyboard	Tru64 UNIX Keyboard	OpenVMS Keyboard	Language
<b>Europe (continued)</b>			
SN-LKQ97-AX	SN-LKQ47-AX	—	BHCSY
SN-LKQ97-BA	SN-LKQ47-BA	—	International
SN-LKQ97-BH	SN-LKQ47-BH	LK461-BH	Greek
—	—	LK461-BL	Romanian
SN-LKQ97-BP	SN-LKQ47-BP	LK461-BP	Polish
SN-LKQ97-BQ	SN-LKQ47-BQ	LK461-BQ	Hungarian
SN-LKQ97-BR	SN-LKQ47-BR	—	Arabic
SN-LKQ97-BT	SN-LKQ47-BT	LK461-BT	Russian/Cyrillic
SN-LKQ97-BU	SN-LKQ47-BU	LK461-BU	Turkish
SN-LKQ97-BV	SN-LKQ47-BV	LK461-BV	Czech
—	—	LK461-BW	Turkish
—	—	LK461-BY	Yugoslavian
SN-LKQ97-CZ	SN-LKQ47-CZ	LK461-CZ	Slovak
<b>Asia Pacific</b>			
SN-LKQ97-AJ	—	—	Japanese
SN-LKQ97-BI	SN-LKQ47-BI	—	Taiwanese
SN-LKQ97-BK	SN-LKQ47-BK	—	Korean
SN-LKQ97-CV	SN-LKQ47-CV	—	Simplified Chinese
SN-LKQ97-CB	SN-LKQ47-CB	—	Thai

**Step 4—Memory****a-Series and au-Series Memory**

- Selection of memory option is mandatory for System Building Block (SBB) kernels.
- Packaged systems include 64 MB, 128 MB or 512 MB memory options.
- a-Series and au-Series support up to three memory options (3 DIMM banks with 2 slots each total).

SN-MSP01-HC	64 MB ECC SDRAM DIMMs (2 x 32 MB)
SN-MSP01-HD	128 MB ECC SDRAM DIMMs (2 x 64 MB)
SN-MSP01-HE	256 MB ECC SDRAM DIMMs (2 x 128 MB)
SN-MSP01-HF <sup>1</sup>	512 MB ECC SDRAM DIMMs (2 x 256 MB)

1. OpenVMS systems support maximum of 1 GB memory

**a-Series and au-Series Cache Memory**

Supported in MLB cache slot.

SN-MSC01-AC	4 MB Level 3 SRAM cache
-------------	-------------------------

**Step 5—Storage**

Systems include an onboard Wide Ultra SCSI adapter for internal drives.

**Step 5a—Internal Storage**

- Systems support up to four hard disk drives. Two 3.5" x 1.0" hard disk drives in internal bays and two 3.5" x 1.6" or 1.0" hard disk drive in the 5.25" removable media bays
- Selection of hard disk drive is mandatory for System Building Block (SBB).

**Step 5a—Internal Storage (continued)**

- Packaged systems include a 9.1 GB Wide Ultra-2 SCSI hard disk drive (SN-PBXRW-SC).

**SCSI disk drives**

<b>SN-PBXRW-SC</b>	9.1 GB Wide Ultra-2 LVD SCSI 7200 RPM hard disk drive, 1.0 inch drive
<b>SN-PBXRW-TB</b>	18.2 GB Wide Ultra-2 LVD SCSI 7200 RPM hard disk drive, 1.0 inch drive
<b>SN-PBXRW-RB</b>	4.3 GB Wide Ultra-2 LVD SCSI 10K RPM hard disk drive, 1.0 inch drive
<b>SN-PBXRW-VA</b>	9.1 GB Wide Ultra-2 LVD SCSI 10K RPM hard disk drive, 1.0 inch drive
<b>SN-PBXRW-WA<sup>1</sup></b>	18.2 GB Wide Ultra-2 LVD SCSI 10K RPM hard disk drive, 1.6 inch drive (includes fan kit)
<b>SN-PBXRW-WB</b>	18.2 GB Wide Ultra-2 LVD SCSI 10K RPM hard disk drive, 1.0 inch drive
<b>SN-PBXRW-XA</b>	36.4 GB Wide Ultra-2 LVD SCSI 10K RPM hard disk drive, 1.6 inch drive

1. Maximum one per system, supported in 5.25-inch removable media bays only.

**Removable Media**

- Systems include one 5.25-inch 32X CD-ROM drive and supports two additional 5.25-inch removable media devices.  
**Note:** 5.25-inch removable media bays also support hard disk drives.
- Maximum of one additional ATAPI device supported per system.

<b>SN-PBXRV-AA</b>	6X/32X ATAPI DVD-ROM Drive (Data Device only) (UNIX, Windows NT only)
<b>SN-PBXRX-CA</b>	100 MB ATAPI ZIP Drive
<b>SN-TLZ10-LK</b>	12/24 GB 4mm DAT internal SCSI tape drive, 1.6-inch front accessible bay
<b>SN-TLZ09-LK</b>	4/8 GB 4mm DAT internal SCSI tape drive, 1.6-inch front accessible bay

**Step 5b—External Storage**

**Tabletop DAT Tape Drives**

- Tabletop tapes require SN-KZPBA-CA SCSI adapter, they are not supported on same adapter as internal storage.

<b>TLZ09-DC</b>	4/8 GB 4mm DAT external tabletop SCSI tape drive. Cables/Adapters Required: Wide to Narrow terminator adapter included. Requires BC09D-03/06 (3/6 foot) 50 pin HD to 50 pin LD cable.
<b>DS-TLZ10-DB</b>	12/24 GB 4mm DAT external tabletop SCSI tape drive. Cables/Adapters Required: Requires BN36A-0B Wide to Narrow terminator adapter. Requires BC09D-03/06 (3/6 foot) 50 pin HD to 50 pin LD cable.

**Controllers/Adapters**

- au-Series systems running Tru64 UNIX V4.0D and OpenVMS 7.2-1 support one RAID controller (SN-KZPAC-xx).
- a-Series and au-Series systems support two additional UltraSCSI adapters for a system maximum of three (including the onboard adapter). The second optional controller must be installed on the secondary PCI bus.

Maximum controllers/adapters supported per system		a Series	au Series
<b>SN-KZPBA-CA<sup>1</sup></b>	Q-Logic 1040B Wide Ultra SCSI adapter—uses 1 PCI 32-bit slot	2	2
<b>SN-KZPBA-CB<sup>1</sup></b>	1 port UltraSCSI Differential adapter—uses 1 PCI slot	2	2
<b>SN-KZPAC-AA<sup>2</sup></b>	1 port RAID controller, 4MB EDRAM cache—uses 1 PCI 32-bit slot	1	1 <sup>3</sup>
<b>SN-KZPAC-CA<sup>2</sup></b>	3 port RAID controller 4MB EDRAM cache—uses 1 PCI 32-bit slot, third port uses one additional PCI bulkhead slot, requires BN31K-0E bulkhead assembly kit and SCSI cable.	1	1 <sup>3</sup>
<b>SN-KZPAC-CB<sup>2</sup></b>	Same as –CA with 8MB EDRAM cache	1	1 <sup>3</sup>

**Step 5b—External Storage (continued)****Controllers/Adapters (continued)**

Maximum controllers/adapters supported per system		a Series	au Series
SN-KZPCA-AA	1-channel Wide Ultra-2 (LVD) Adapter	2	2 <sup>4</sup>

1. Requires UltraSCSI cable (BN38C-xx) with 68-pin HD to 68-pin VHDCI connectors for UltraSCSI StorageWorks Pedestal enclosure attached to SN-KZPBA-CA and SN-KZPCA-AA UltraSCSI adapters.
2. UltraSCSI cable (BN37A-xx) with two 68-pin VHDCI connectors for UltraSCSI StorageWorks Pedestal enclosure attached to KZPAC RAID controller.
3. Supported on au-Series systems running Tru64 UNIX V4.0D or OpenVMS 7.1 1H2 with TIMA kit ALPCPU1E03\_071, available at <http://www1.service.digital.com/patches>. Click on "Browse Patches Tree" option for FTP directories of kits, and specify VMS, with the correct version number. Select kit number ALPCPU1E03\_071 or later.
4. Supported on au-Series systems running Tru64 Unix V4.0F, Windows NT 4.0 or OpenVMS 7.1-2.

**Step 6—Graphics Options**

Selection of a graphics option is mandatory for all Windows NT System Building Blocks and Packaged Systems.

Graphics Options require 1 PCI slot—Maximum supported per system		a Series	au Series
SN-PBXGK-BB	ELSA GLoria Synergy PCI Video Adapter with 8MB memory	3	3
SN-PBXGD-AD	PowerStorm 300 Midrange 3D graphics with 15MB frame buffer memory and 16MB texture memory	2	3 <sup>1</sup>
SN-PBXGD-AE	PowerStorm 350 Midrange 3D graphics with 30MB frame buffer memory and 32MB texture memory	1	3 <sup>1</sup>
SN-PBXGI-AD	PowerStorm 4D51T 3D graphics with 16 MB texture memory	1	2 <sup>1</sup>

1. Not supported on OpenVMS.

**Step 7—Color Monitors**

Professional Series Monitors		a Series	au Series
3R-VRQP7-23/24	P700 17" (16" viewable image size) Professional Series auto-scanning, Flat Definition Trinitron CRT, 0.25 mm aperture grill pitch, VGA to 1280 x 1024 @ 75 Hz, TCO 99, MPR-II, Energy Star, attached 1.8-m video cable, without power cord -23 = Southern Hemisphere -24 = Northern Hemisphere	X	X
3R-VRQP9-23/24	P900 19" (18" viewable image size) professional series auto-scanning color monitor, Flat Definition Trinitron CRT, 0.25 mm aperture grill pitch, VGA to 1280 x 1024 at 75 Hz, TCO 99, MPR-II, Energy Star, attached 1.8-m video cable; without power cord -23 = Southern Hemisphere -24 = Northern Hemisphere	X	X
3R-VRQP1-23/24	P1100 21" (19.6" viewable image size) auto-scanning color monitor, Trinitron CRT, 0.28 mm aperture grill pitch, VGA to 1600 x 1200 @ 85 Hz NI, TCO 99, Energy Star, includes 1.8-m video cable, without power cord -23 = Southern Hemisphere -24 = Northern Hemisphere	X	X
Flat Panel Series Monitors		a Series	au Series
SN-VRQF8-24 <sup>1</sup>	TFT 8000 18" Panel Monitor—18" viewable image size, TFT active matrix, in plane switching technology 160 degree viewing angles, 1280 x 1024 resolution, brightness of 165 nits, detachable base.	X	X

1. Requires ELSA Gloria Synergy PCI Video Adapter.

## Step 8—Network Options

PCI-based Network options require 1 PCI slot		Maximum supported per system	a Series	au Series
DE450-CA	PCI-based Ethernet Card (TW, TP, AUI)		2	2
DE500-BA	PCI-based Fast Ethernet 10/100 mb/s (Twisted pair)		2	2
DE500-FA	PCI-based 10/100 mb/s Fast Ethernet, MMF (Multi-Mode Fiber)		2	2
3X-DE600-AA	PCI 10/100 Ethernet NIC		—	2
SN-PBXNP-AC	PCI-based Token Ring adapter		2	2
3X-DEFPA-AC	PCI-based FDDI adapter SAS, Fiber		2	2
3X-DEFPA-DC	PCI-based FDDI adapter DAS, UTP, Fiber		2	2
3X-DEFPA-MC	PCI-based FDDI adapter DAS, UTP		2	2
3X-DEFPA-UC	PCI-based FDDI adapter SAS UTP		2	2
PBXDA-AA	PCI-based Asynchronous 4-port adapter		2	2
PBXDA-AB	PCI-based Asynchronous 8-port adapter		2	2
PBXDA-AC	PCI Asynchronous 16-port adapter		2	2
SN-DGLPA-FA	PCI-based ATM adapter		—	2 <sup>1</sup>
SN-DGLPA-UA	PCI-based ATM adapter		—	2 <sup>1</sup>
PBXDP-AA <sup>2</sup>	PCI-based 2 Port Synchronous		—	2
PBXDP-AB <sup>2</sup>	PCI-based 4 Port Synchronous		—	2
SN-PBXDP-AC <sup>2</sup>	PCI-based 8 Port Synchronous		—	2
DEGPA-SA	Gigabit Ethernet Adapter		1	1

1. Not supported on OpenVMS.
2. Select appropriate cable option with synchronous communication cards –BC33x-06.

System Enclosure Options		a Series	au Series
SN-PCXAN-DB	10BaseT/10Base 2 Ethernet Bulkhead Connector	1	1

## Step 9—Processor Upgrades

- Processor speed upgrades from Classic Digital Personal Workstations (DPW without onboard SCSI) to current Compaq DPW Workstations.

SN-PBXBB-AA	a/au (includes 500 MHz CPU) enhanced motherboard and riser upgrade (classic to enhanced).
SN-PBXBB-BA	a/au (includes 600 MHz CPU) enhanced motherboard and riser upgrade (classic to enhanced).
SN-PBXBB-CA	a/au (no CPU) enhanced motherboard and riser upgrade (classic to enhanced).

## Step 10—Software and User Documentation

### Tru64 UNIX Media and Documentation—required for first system on site

QA-MT4AA-H8	Tru64 UNIX Media & Documentation kit (Version 4.0F)
QA-MT4AA-GZ	Tru64 UNIX Full Documentation kit
QA-MT4AB-GZ <sup>1</sup>	Tru64 UNIX End-User Documentation kit

1. Included in Full Documentation kit.

### Tru64 UNIX Layered Products CD-ROM

QA-054AA-H8	Layered products media and documentation for Tru64 UNIX on CD-ROM
-------------	---

### Compaq Open3D for Tru64 UNIX CD-ROM

QA-0AFAA-H8	Compaq Open3D for Tru64 UNIX on CD-ROM, includes graphics drivers
-------------	---



**Tru64 UNIX Optional Licenses**

QL-MT6AE-AA	Tru64 UNIX Server Extensions License
QL-MT5AE-AA	Tru64 UNIX C Developer's Extensions License
QL-MT7AM-3B	Tru64 UNIX Concurrent Use 1-user license
QL-MT7AM-3C	Tru64 UNIX Concurrent Use 2-user license
QL-MT7AM-3D	Tru64 UNIX Concurrent Use 4-user license
QL-MT7AM-3E	Tru64 UNIX Concurrent Use 8-user license
QL-MT7AM-3F	Tru64 UNIX Concurrent Use 16-user license
QL-MT7AM-3G	Tru64 UNIX Concurrent Use 32-user license
QL-MT7AM-3H	Tru64 UNIX Concurrent Use 64-user license
QL-MT7AE-AA	Tru64 UNIX Unlimited User License

**Note:** All Tru64 UNIX systems include 2-user Base license.

**OpenVMS**

**Software Processor Code = E**

**OpenVMS Media and Documentation—required for first system on site**

QA-MT1AR-H8	OpenVMS V7.1-2 Media on CD-ROM
QA-MT1AA-H8	OpenVMS V7.1 media and on-line documentation on CD-ROM
QA-MT1AT-H8	OpenVMS V7.2-1 Media on CD-ROM
QA-001AA-GZ	OpenVMS hardcopy documentation

**OpenVMS Layered Products CD-ROM**

QA-03XAA-H8	Layered products media and documentation for OpenVMS on CD-ROM
-------------	--

**Compaq Open3D for OpenVMS CD-ROM**

QA-0ADAA-H8	Compaq Open3D for OpenVMS on CD-ROM, includes graphics drivers
-------------	--

**OpenVMS Concurrent Use Licenses**

- OpenVMS Concurrent Use Licenses are not specific to a single system and can be moved between systems at user discretion. OpenVMS Concurrent Use Licenses can also be shared in a mixed OpenVMS VAX and OpenVMS Alpha Cluster. The OpenVMS traditional unlimited use license is system specific and can only be used on one single system at a time. It can not be shared between systems or in an OpenVMS VAX or OpenVMS Alpha Cluster.

QL-MT3AA-3B	OpenVMS Concurrent Use 1-user license
QL-MT3AA-3C	OpenVMS Concurrent Use 2-user license
QL-MT3AA-3D	OpenVMS Concurrent Use 4-user license

**Step 10—Software and User Documentation (continued)**

QL-MT3AA-3E	OpenVMS Concurrent Use 8-user license
QL-MT3AA-3F	OpenVMS Concurrent Use 16-user license
QL-MT3AA-3G	OpenVMS Concurrent Use 32-user license
QL-MT3AA-3H	OpenVMS Concurrent Use 64-user license
QL-MT3AA-3J	OpenVMS Concurrent Use 128-user license
QL-MT3AA-3K	OpenVMS Concurrent Use 256-user license
QL-MT2AE-AA	OpenVMS traditional unlimited user license

**a-Series and au-Series User Documentation**

EK-ALMIG-SI	Compaq DPW Set Up and Installation Guide—English
EK-ALMIF-SI	Compaq DPW Set Up and Installation Guide—French
EK-ALMID-SI	Compaq DPW Set Up and Installation Guide—German
EK-ALMIJ-SI	Compaq DPW Set Up and Installation Guide—Japanese
EK-ALMIS-SI	Compaq DPW Set Up and Installation Guide—Spanish
EK-ALMII-SI	Compaq DPW Set Up and Installation Guide—Italian

**Step 11—Hardware and Software Supplemental Services**

FM-W****-12 FM-W****-36 FM-W****-60	Hardware supplemental services are based on type of extension (e.g. Onsite Next Business Day, Onsite same business day, 7 x 24, and number of months). Refer to “Multivendor Customer Services Quick Quote Card” for part numbers (In Europe, refer to on-line Quoting System). First * after W is A through P, depending on total list price of the hardware. Second through fourth * represent different levels (e.g. XHW for Onsite next business day service, 4 hour Onsite same business day service, and 7 x 24 service). -12, -36, -60 represent duration in months
FM-WSDTP-IN	Hardware Installation

**Software Supplemental Services**

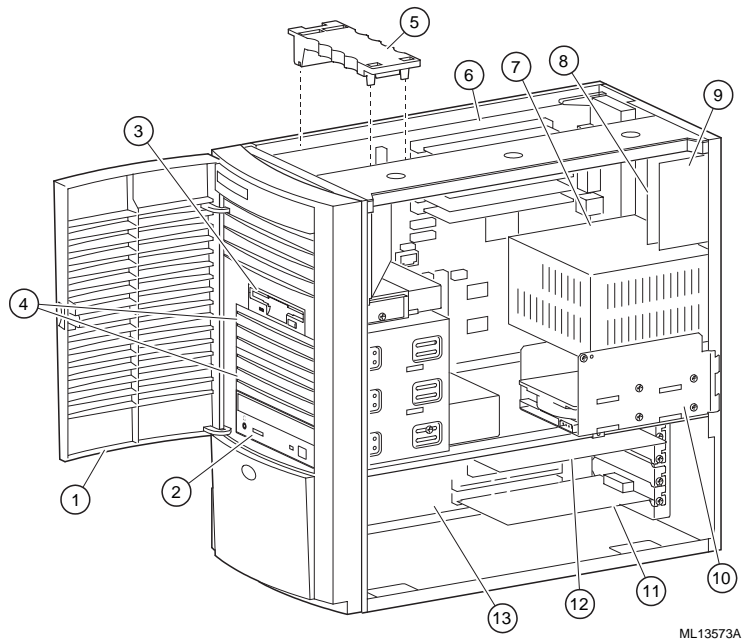
Contact a Compaq sales representative or call Compaq at 1-800-344-4825 in the US and Canada for a list of available service offerings. Outside North America, call +353 91 704105 for the number of a local Compaq Information Center.

FM-NMB53-12	12 Month 5 x 9 Bronze Windows NT Software Supplemental Support Services; Tier 3M
FM-NMB53-36	36 Month 5 x 9 Bronze Windows NT Software Supplemental Support Services; Tier 3M
FM-NMB53-60	60 Month 5 x 9 Bronze Windows NT Software Supplemental Support Services; Tier 3M
FM-NMB73-12	12 Month 7 x 24 Bronze Windows NT Software Supplemental Support Services; Tier 3M
FM-NMB73-36	36 Month 7 x 24 Bronze Windows NT Software Supplemental Support Services; Tier 3M
FM-NMB73-60	36 Month 7 x 24 Bronze Windows NT Software Supplemental Support Services; Tier 3M
FM-3BUNS-12	12 Month Tru64 UNIX Full Software Supplemental Support Services
FM-3BUNS-36	36 Month Tru64 UNIX Full Software Supplemental Support Services
FM-3BUNS-60	60 Month Tru64 UNIX Full Software Supplemental Support Services
FM-3BUNN-12	12 Month Tru64 UNIX Node Software Supplemental Support Services
FM-3BUNN-36	36 Month Tru64 UNIX Node Software Supplemental Support Services
FM-3BUNN-60	60 Month Tru64 UNIX Node Software Supplemental Support Services

**Specifications**

Height	40.64 cm (16-inches)
Width	21.59 cm (8.5-inches)
Depth	44.45 cm (17.5-inches)

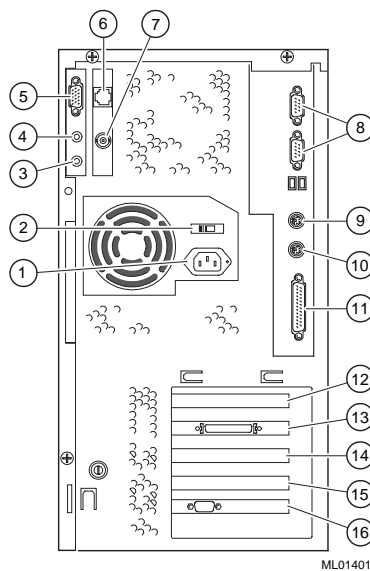
Compaq Personal Workstations System Diagram (a-Series, au-Series)



- 1. Front door assembly
- 2. 5.25" CD-ROM drive bay
- 3. 3.5" floppy diskette drive bay
- 4. Two 5.25" removable media bays
- 5. Main Logic Board retainer bracket
- 6. Main Logic Board

- 7. Power supply
- 8. Ethernet connector card (MAU or MII)
- 9. Audio connector card
- 10. Two 3.5" x 1" hard disk drive bays

- 11. 64-bit (or 32-bit) PCI option installed on riser card
- 12. ISA card installed in PCI/ISA combination slot
- 13. Riser card



- 1. AC power connector
- 2. Voltage selector switch
- 3. Audio line In
- 4. Speaker Out
- 5. MIDI adapter or joystick connector
- 6. Ethernet Twisted pair
- 7. ThinWire Ethernet (optional)
- 8. Communication ports 1 and 2
- 9. Mouse port
- 10. Keyboard port
- 11. Parallel port
- 12. Slot 1: 32-bit PCI (half size slot)

- 13. Slot 2: 32-bit PCI/ISA (half size slot)
- 14. Slot 3: 32-bit PCI/ISA (full size slot)
- 15. Slot 4: 64-bit PCI/ISA (full size slot)
- 16. Slot 5: 64-bit PCI (full size slot)

## Free Manuals Download Website

<http://myh66.com>

<http://usermanuals.us>

<http://www.somanuals.com>

<http://www.4manuals.cc>

<http://www.manual-lib.com>

<http://www.404manual.com>

<http://www.luxmanual.com>

<http://aubethermostatmanual.com>

Golf course search by state

<http://golfingnear.com>

Email search by domain

<http://emailbydomain.com>

Auto manuals search

<http://auto.somanuals.com>

TV manuals search

<http://tv.somanuals.com>