



USER MANUAL

uSign™ Signature Capture Module

Models uSign 100 & uSign 200



80084501-001-A
04-24-2007

uSign User Manual

FCC WARNING STATEMENT

This equipment has been tested and found to comply with the limits for a Class B digital device, pursuant to Part 15 of FCC Rules. These limits are designed to provide reasonable protection against harmful interference when the equipment is operated in a commercial environment. This equipment generates, uses, and can radiate radio frequency energy and, if not installed and used in accordance with the instruction manual, may cause harmful interference to radio communications.

FCC COMPLIANCE STATEMENT

This device complies with Part 15 of the FCC Rules. Operation of this device is subject to the following conditions: this device may not cause harmful interference and this device must accept any interference received, including interference that may cause undesired operation.

CANADIAN DOC STATEMENT

This digital apparatus does not exceed the Class B limits for radio noise for digital apparatus set out in the Radio Interference Regulations of the Canadian Department of Communications.

Le présent appareil numérique n'émet pas de bruits radioélectriques dépassant les limites applicables aux appareils numériques de la classe B prescrites dans le Règlement sur le brouillage radioélectrique édicté par le ministère des Communications du Canada.

CE STANDARDS

An independent laboratory performed testing for compliance to CE requirements. The unit under test was found compliant to Class B.

ID TECH is a registered trademark of International Technologies & Systems Corporation. uSign, and Value through Innovation are trademarks of International Technologies & Systems Corporation.

USB (Universal Serial Bus) Specification is Copyright by Compaq Computer Corporation, Intel Corporation, Microsoft Corporation, and NEC Corporation. Windows, Excel, & Notepad are registered trademarks of Microsoft Corporation.

uSign User Manual

LIMITED WARRANTY

ID TECH warrants to the original purchaser for a period of 12 months from the date of invoice that this product is in good working order and free from defects in material and workmanship under normal use and service. ID TECH's obligation under this warranty is limited to, at its option, replacing, repairing, or giving credit for any product which has, within the warranty period, been returned to the factory of origin, transportation charges and insurance prepaid, and which is, after examination, disclosed to ID TECH's satisfaction to be thus defective. The expense of removal and reinstallation of any item or items of equipment is not included in this warranty. No person, firm, or corporation is authorized to assume for ID TECH any other liabilities in connection with the sales of any product. In no event shall ID TECH be liable for any special, incidental or consequential damages to purchaser or any third party caused by any defective item of equipment, whether that defect is warranted against or not. Purchaser's sole and exclusive remedy for defective equipment, which does not conform to the requirements of sales, is to have such equipment replaced or repaired by ID TECH. For limited warranty service during the warranty period, please contact ID TECH to obtain a Return Material Authorization (RMA) number & instructions for returning the product.

THIS WARRANTY IS IN LIEU OF ALL OTHER WARRANTIES OF MERCHANTABILITY OR FITNESS FOR PARTICULAR PURPOSE. THERE ARE NO OTHER WARRANTIES OR GUARANTEES, EXPRESS OR IMPLIED, OTHER THAN THOSE HEREIN STATED. THIS PRODUCT IS SOLD AS IS. IN NO EVENT SHALL ID TECH BE LIABLE FOR CLAIMS BASED UPON BREACH OF EXPRESS OR IMPLIED WARRANTY OF NEGLIGENCE OF ANY OTHER DAMAGES WHETHER DIRECT, IMMEDIATE, FORESEEABLE, CONSEQUENTIAL OR SPECIAL OR FOR ANY EXPENSE INCURRED BY REASON OF THE USE OR MISUSE, SALE OR FABRICATIONS OF PRODUCTS WHICH DO NOT CONFORM TO THE TERMS AND CONDITIONS OF THE CONTRACT.

The information contained herein is provided to the user as a convenience. While every effort has been made to ensure accuracy, ID TECH is not responsible for damages that might occur because of errors or omissions, including any loss of profit or other commercial damage, nor for any infringements or patents or other rights of third parties that may result from its use. The specifications described herein were current at the time of publication, but are subject to change at any time without prior notice.

ID TECH
10721 Walker Street
Cypress, CA 90630
(714) 761-6368
www.idtechproducts.com

uSign User Manual

Table of Contents

1.0	Introduction.....	6
2.0	Features	6
3.0	Model Designations	7
4.0	Installing uSign	7
4.1	Communication Interface	8
4.2	USB-CDC Setup	10
5.0	Terms & Abbreviations	7
6.0	Specifications	10
6.1	Power requirement.....	10
6.2	Physical housing uSign 100.....	10
6.3	Physical housing uSign 200.....	11
6.4	LCD screen & Resistive touch pad	11
6.5	Communication interface	11
6.6	LED.....	11
6.7	Agency Approvals	11
6.8	Electronics MTBF.....	11
6.9	Electro-Static Discharges (ESD).....	11
6.10	Environmental	11
7.0	uSign commands description.....	13
7.1	Command protocol:.....	13
7.2	System Commands.....	13
7.2.1	Get firmware version.....	13
7.2.2	Get serial number	13
7.2.3	Get clip area	13
7.2.4	Set clip area.....	13
7.2.5	Clear clip area.....	13
7.3	One byte commands.....	14
7.3.1	Stop Capturing.....	14
7.3.2	Start Capturing use FBP format 1	14
7.3.3	Start Capturing use FBP format 2.....	14
7.3.4	Turn red led on	14
7.3.5	Turn red led off	14
7.3.6	Clear CMP format mode data	14
7.3.7	Get data 0x00	14
7.3.8	Start Capturing use CMP format.....	14
7.3.9	Reset points counter.....	14
7.3.10	Get point counter high byte.....	14
7.3.11	Get point counter low byte	14
7.3.12	Start Capturing use FBP format 0.....	15
7.4	Multi-byte commands.....	15
7.4.1	Initialize device	15
7.4.2	Get PW120 Version	15
7.4.3	Test device	15
7.4.4	Set CTS control	15
7.4.5	Set interval between two points	15

uSign User Manual

7.4.6	Get data 0x00 0x01	15
7.4.7	Calibrate the device	15
7.4.8	Set offset position	15
7.4.9	Get data 0x01	15
7.4.10	Offset using control	15
7.4.11	Stop Capturing	16
7.4.12	Start Capturing use FBP format 1	16
7.4.13	Clear display screen	16
7.4.14	Draw line	16
7.4.15	Draw hollow rectangle	16
7.4.16	Draw solid rectangle	16
7.4.17	Draw text	16

Table of Figures

Figure 1	New Hardware Wizard opening window	9
Figure 2	Browse for File	9
Figure 3	Installation Warning Message	10
Figure 4	Outline Drawing for uSign 100	17
Figure 5	Outline Drawing for uSign 200	18

1.0 Introduction

The use of electronically captured signatures has become common for Point of Service (POS) applications. Electronic signature capture reduces transaction time, eliminates sorting & sending paper, provides convenient electronic storage & transmission, and gives legal accountability (non-repudiation) for POS transactions.

uSign™ is an electronic signature capture device with a back lighted graphic LCD display and touch sensitive screen that is the signature panel. Authors can view their signatures in real time during the signing process. Signatures are compressed and provided to a Host system for signature & data storage. The LCD display allows for interactive text, which supports pen-tap commands and function selections. The interactive Host operations allow selections and navigations through transactions with just the stylus.

The LCD & touch sensitive screen are surrounded in a plastic housing. The housing provides a tethered non-electronic stylus. The stylus is fastened to the housing in a way to allow stylus replacement. A mounting plate secures the uSign housing to a counter top or other mounting surface. An overlay covers and protects the signature area of the uSign display. The overlay is removable allowing replacement if the signature area becomes worn from stylus use. Customer specific front overlay designs are possible as needed by an application.

There are two major uSign housing configurations. The first is a signature pad enclosed in a stylish housing. This uSign is a POS System level product intended for signature capture at a transaction counter. A convenient palm rest area below the signature panel provides support during the signing process. The second configuration is an OEM version with a smaller housing and intended for mounting to a vertical or near vertical surface. Both products have the same internal components and operations.

2.0 Features

Electronic signature capture w Buffered signature capability

Sampling rate up to 190 dots per second

Real time signature capture with 5:1 compression

Raw data output available

Algorithms to filter spikes, provide Smoothing, & Calibration algorithms

Command & response driven operations through an API

Graphic display of signature during capture

Display graphics under Host control when not in signature process

Touch pad dot position matches LCD pixel locations

Operates with Windows 2000, XP, and Vista operating systems

Replaceable non-active tethered stylus

Resistive touch pad with transparent, replaceable protective overlay

The uSign 100 is UL listed; both uSign 100 & uSign 200 are RoHS compliant.

3.0 Model Designations

uSign 100	IDUA-01x100 *
uSign 200	IDUA-01x500 *

* The "x" defines the communication interface, 2 = RS232 and 6 = USB-CDC.

4.0 Terms & Abbreviations

COM	Host communication port
Host	Personal Computer, Terminal, or similar device
LCD	Liquid Crystal Display
LED	Light Emitting Diode
mA	Milli-Amperes of electrical current
RS232	Serial communications
USB	Universal Serial Bus, serial communications
VDC	Volts Direct Current

5.0 Installing uSign

uSign is designed for an indoor environment. Locate the uSign where it is convenient to operate and protected from heat or direct sunlight. Position the uSign so the signature pad area is easy to reach and the immediate area is clear for authoring the signature. The uSign housing has threaded inserts in the bottom and relief areas for hook & loop fasteners. A metal mounting bracket with keyhole & screw mounting is mounted to the back of the housing.

The uSign 100 with an RS232 interface uses a standard DB25 connector and is supplied power with a 9VDC power adaptor. The uSign 200 with an RS232 interface uses a standard DB9 connector and uses a 5VDC power adaptor. The input voltage on the power adaptors may be limited; do not exceed the input voltage rating of the power adaptor. Connect the power adaptor after the other connections are made. The uSign having a USB communication interface receives power from the host through the USB port.

For both interface types and when power is applied, the green & red LED on the uSign are on for a moment, go off, and then the green is on and flashing. If the LED does not light, check the connections and the availability of power from the power outlet. With the green LED flashing, the LCD screen displays: "IDTECH uSign, Version x.xx." When the signature screen is touched or commands are received from a Host, the LED is turned off and the screen is cleared for Host operations. The Green LED is controlled and is on when uSign is in the capture mode; the red LED is host controlled.

The communication type can be RS232 or USB-CDC. Use the Communication Interface section that corresponds with the interface of your uSign unit.

5.1 Communication Interfaces

RS232

The uSign has a communication cable with a DB25 (100 Model) or DB-9 (200 Model) connector that fits the computer serial (RS232) COM port connection. See the Specifications, Interface Section for COM port settings.

Connect the RS232 connector to the PC and insure it is fully seated into the connector. Connect the power adaptor output to the power input socket on the back of the DB connector shell. Connect the power adaptor to the AC line power outlet.

USB

The USB interface is a Communication Device Class that opens a virtual COM Port, which operates as though the COM was an RS232 device. The USB communication uses the Windows USB-CDC driver included in Windows 2000 & XP operating systems. ID TECH provides an INF file for use with the CDC driver. Note: Windows XP with Service Pack 1 can cause intermittent problems; use Service Pack 2.

Connect the USB connector to the PC and insure it is fully seated into the jack. If the LEDs do not light, check the connections and the availability of power from the Host.

When the USB connection is recognized by the operating system for the first time, a Found New Hardware message is given. The operating system must install the uSign INF setup file, {*uSignUsbCDC.inf*} for the system to communicate with the uSign. Retrieve the *uSignUsbCDC.inf* and companion *usbser.sys* files from the ID TECH website and save the files in a convenient location on the PC system.

The New Hardware Wizard window appears. Follow the directions and the wizard properly installs the INF setup information into the operating system. Select the "No, not this time" button and Click Next > to continue. Then select the "Install from a list or specific location (advanced)" button and Click Next > to continue.



Figure 1 New Hardware Wizard opening window

Browse and select the folder where the *uSignUsbCDC.inf* and companion *usbser.sys* files are located. Click Next > to continue.

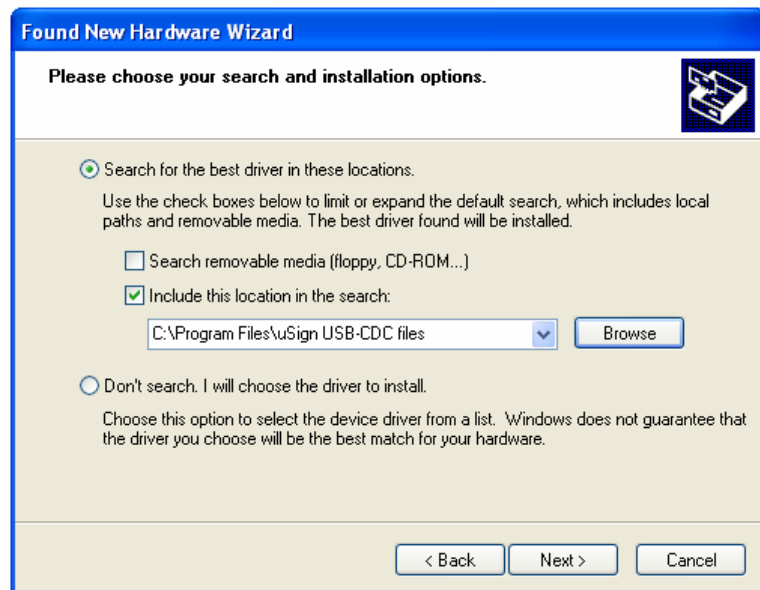


Figure 2 Browse for File

There is a warning window that the INF file is not registered; Click “Continue Anyway”. Click Finish to complete the INF installation.

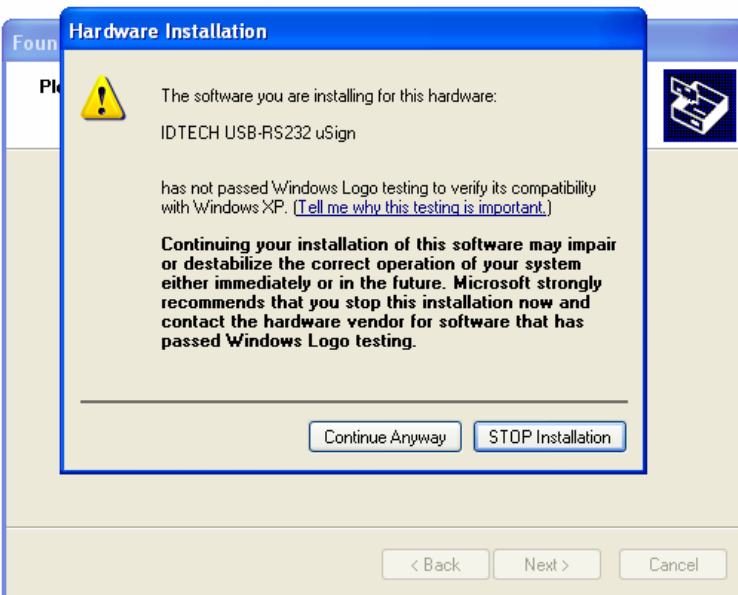


Figure 3 Installation Warning Message

5.2 USB-CDC Setup

The following steps provide a check on the USB-CDC COM port selected by the operating system. This step is used only if there is a need to confirm operation and possible to review the communication port number. Open the Windows Control Panel and follow the selections: System, Hardware Tab, and Device Manager. Expand the Port (COM & LPT) folder. There should be an item “IDTECH USB-RS232 uSign (COM #)”, where # is a Port number. uSign is set-up and communicating.

6.0 Specifications

6.1 Power requirement

Voltage	uSign 100 is 9VDC and uSign 200 is 5VDC
Current	150mA typical
RS232 Power	AC adaptor, center positive adaptor plug output
USB Power	Host USB port

6.2 Physical housing uSign 100

Overall size	113mm wide 77.5mm high 31.5mm thick including back plate
Display	3.3-inch diagonal signature area

6.3 Physical housing uSign 200

Overall size	129mm wide (5.1 in) 146mm length (5.75 in) 40mm thick including back plate (1.57 in)
Display	3.3-inch diagonal signature area

6.4 LCD screen & Resistive touch pad

Touchpad	Resistive, transparent, pressure-sensitive screen
Display	STN monochrome LCD
Sampling Rate	Up to 190 samples per second
Touchpad Resolution	up to 929 dpi
Display Resolution	LCD Resolution: 192 x 64 dots
Overlay Screen	Removable/Field replaceable signature surface

6.5 Communication interface

RS232	
Baud rates	1200 to 115200
Default	9600 baud, data bits – 8, Parity – none, Stop bit – 1
USB	2.0 Full Speed (Common Device Class)

6.6 LED

Two individual LEDs (one green & one red)
Signature Pad or Host controlled

6.7 Agency Approvals

FCC Class B, & CE,
The uSign 100 is UL Listed
The product is RoHS compliant.

6.8 Electronics MTBF

Electronics MTBF 200,000 POH, based on Bellcore standard.

6.9 Electro-Static Discharges (ESD)

The electronics must survive ESD of 4kV contact, and 8kV air discharge. Meets or exceeds IEC 1000-4-2.

6.10 Environmental

Temperature ranges	
Operating	1 to 45 C (34 to 113 F)
Storage (sealed container)	-10 to 70 C (14 to 158 F)
Relative humidity	

uSign User Manual

10% to 95% non-condensing

7.0 uSign commands description

(Version: 0.02 Date: 2007-03-19) Note: digits are given in little-endian format.

7.1 Command protocol:

Host to device: STX LenL LenH CommandData Lrc1 Lrc2 ETX

STX: 0x02. 1 byte.

LenL+LenH: sizeof(CommandData). 2 bytes.

CommandData: main command string. Several bytes needed.

Lrc1: Exclusive or of CommandData. 1 byte.

Lrc2: Sum of CommandData. 1 byte.

ETX: 0x03. 1 byte.

Device to Host: STX LenL LenH ResponseData Lrc1 Lrc2 ETX

STX: 0x02. 1 byte.

LenL+LenH: sizeof(ResponseData). 2 bytes.

ResponseData: main response string. Several bytes needed.

Lrc1: Exclusive or of ResponseData. 1 byte.

Lrc2: Sum of ResponseData. 1 byte.

ETX: 0x03. 1 byte

7.2 System Commands

7.2.1 Get firmware version

Command string: 78 01

Response string: IDTECH-USIGN V0.02

7.2.2 Get serial number

Command string: 78 02

Response string: Serial number

7.2.3 Get clip area

Command string: 7A 04 01

Response string: Clip area data (8 bytes)

Clip area is a rectangle coded as: left (2 bytes) + top (2 bytes) + right (2 bytes) + bottom (2 bytes)

7.2.4 Set clip area

Command string: 7A 04 02 Clip area data(8 bytes)

Response string: 0xE0

7.2.5 Clear clip area

Command string: 7A 08

Response string: 0xE0

7.3 One byte commands

7.3.1 Stop Capturing

Command string: C0

Response string: C0

7.3.2 Start Capturing use FBP format 1

Command string: C1

Response string: C1

7.3.3 Start Capturing use FBP format 2

Command string: C2

Response string: C2

7.3.4 Turn red led on

Command string: C3

Response string: C3

7.3.5 Turn red led off

Command string: C4

Response string: C4

7.3.6 Clear CMP format mode data

Command string: C5

Response string: C5

7.3.7 Get data 0x00

Command string: C6 or D4 or D5

Response string: 00

7.3.8 Start Capturing use CMP format

Command string: C7

Response string: C7

7.3.9 Reset points counter

Command string: D0

Response string: D0

7.3.10 Get point counter high byte

Command string: D1

Response string: D1

7.3.11 Get point counter low byte

Command string: D2

Response string: D2

7.3.12 Start Capturing use FBP format 0

Command string: D6

Response string: D6

7.4 Multi-byte commands

7.4.1 Initialize device

Command string: 28 10 00 00

Response string: DC 05

7.4.2 Get PW120 Version

Command string: 2A 10 00 00

Response string: 01 00

7.4.3 Test device

Command string: 52 12 00 00

Response string: 52 12

7.4.4 Set CTS control

Command string: 22 15 01 00 01(enable)/00(disable)

Response string: 01

7.4.5 Set interval between two points

Command string: 28 15 01 00 xx

Response string: 01

7.4.6 Get data 0x00 0x01

Command string: 2A 15 00 00

Response string: 00 01

7.4.7 Calibrate the device

Command string: 30 15 00 00

Response string: 01

7.4.8 Set offset position

Command string: 31 15 04 00 xx xx xx xx(offset point)

Response string: 01

7.4.9 Get data 0x01

Command string: 32 15 00 00

Response string: 01

7.4.10 Offset using control

Command string: 34 15 01 00 01(enable)/00(disable)

Response string: 01

7.4.11 Stop Capturing

Command string: 40 30 00 00

Response string:

7.4.12 Start Capturing use FBP format 1

Command string: 41 30 00 00

Response string:

7.4.13 Clear display screen

Command string: 40 32 00 00

Response string:

7.4.14 Draw line

Command string: 43 32 08 00 X1(2 bytes) Y1(2 bytes) X2(2 bytes) Y2(2 bytes)

Response string:

Line is defined by two points: (x1,y1) --- (x2,y2)

7.4.15 Draw hollow rectangle

Command string: 50 32 08 00 Left(2 bytes) Top(2 bytes) Right(2 bytes) Bottom(2 bytes)

Response string:

7.4.16 Draw solid rectangle

Command string: 51 32 08 00 Left(2 bytes) Top(2 bytes) Right(2 bytes) Bottom(2 bytes)

Response string:

7.4.17 Draw text

Command string: 80 32 (String Length+6) 00 X position(2 bytes) Y position(2 bytes)

String Length(2 bytes) String

Response string:

uSign™ 100 SIGNATURE CAPTURE PAD

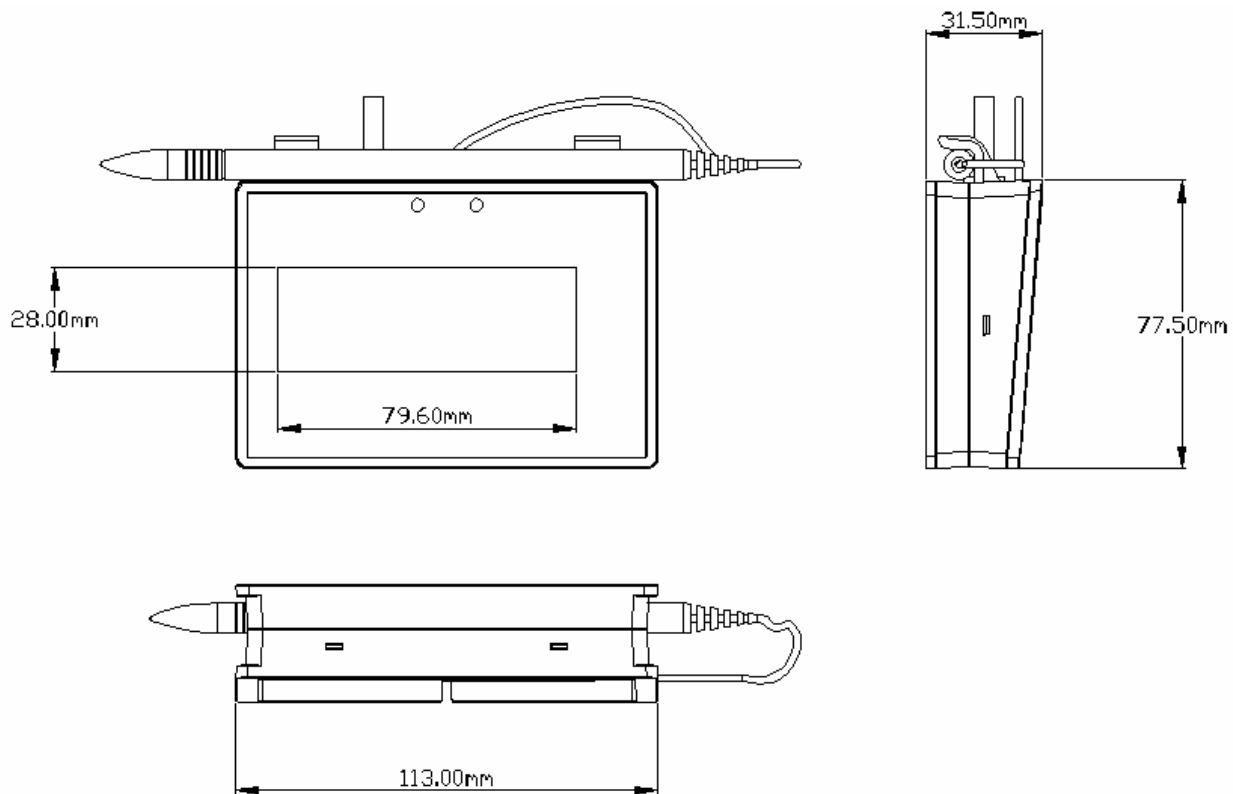


Figure 4 Outline Drawing for uSign 100

uSign™ 200 SIGNATURE CAPTURE PAD

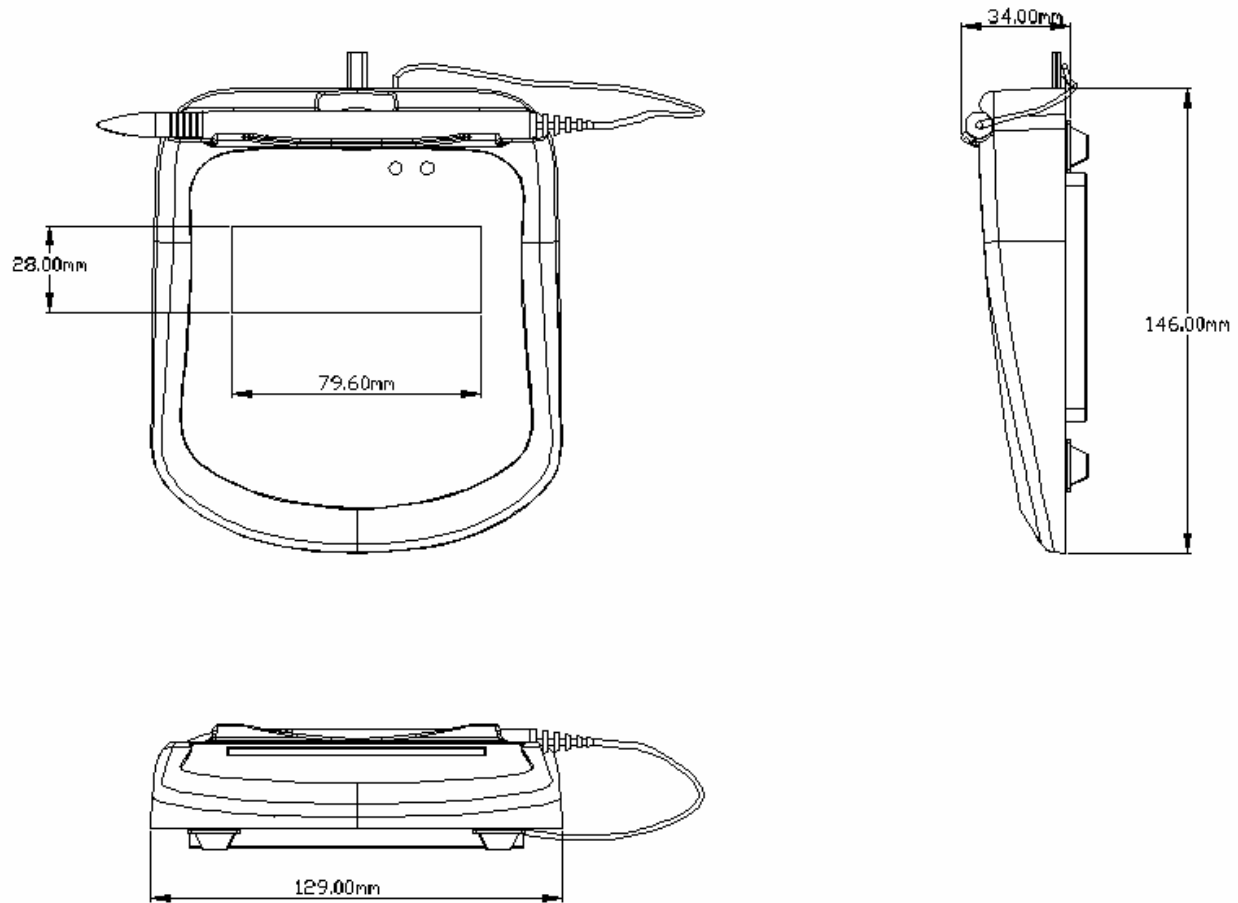


Figure 5 Outline Drawing for uSign 200

Free Manuals Download Website

<http://myh66.com>

<http://usermanuals.us>

<http://www.somanuals.com>

<http://www.4manuals.cc>

<http://www.manual-lib.com>

<http://www.404manual.com>

<http://www.luxmanual.com>

<http://aubethermostatmanual.com>

Golf course search by state

<http://golfingnear.com>

Email search by domain

<http://emailbydomain.com>

Auto manuals search

<http://auto.somanuals.com>

TV manuals search

<http://tv.somanuals.com>