

COMPAQ

Maintenance & Service Guide

Compaq Deskpro EX and Deskpro EXS
Series of Personal Computers

Minitower Models



COMPAQ

Maintenance & Service Guide

Compaq Deskpro EX and Deskpro EXS
Series of Personal Computers

Minitower Models

Notice

© 2000 Compaq Computer Corporation. Except for use in connection with the accompanying Compaq product, no part of this guide may be photocopied or reproduced in any form without prior written consent from Compaq Computer Corporation.

COMPAQ, the Compaq logo, and Deskpro Registered in U.S. Patent and Trademark Office are trademarks of Compaq Information Technologies Group, L.P.

Microsoft, Windows, Windows NT, and other names of Microsoft products referenced herein are trademarks or registered trademarks of Microsoft Corporation.

Intel and Pentium are registered trademarks of Intel Corporation. Celeron and MMX are trademarks of Intel Corporation.

All other product names mentioned herein may be trademarks or registered trademarks of their respective companies.

Compaq shall not be liable for technical or editorial errors or omissions contained herein. The information in this document is subject to change without notice.

THE INFORMATION IN THIS PUBLICATION IS PROVIDED "AS IS" WITHOUT WARRANTY OF ANY KIND. THE ENTIRE RISK ARISING OUT OF THE USE OF THIS INFORMATION REMAINS WITH RECIPIENT. IN NO EVENT SHALL COMPAQ BE LIABLE FOR ANY DIRECT, CONSEQUENTIAL, INCIDENTAL, SPECIAL, PUNITIVE OR OTHER DAMAGES WHATSOEVER (INCLUDING WITHOUT LIMITATION, DAMAGES FOR LOSS OF BUSINESS PROFITS, BUSINESS INTERRUPTION OR LOSS OF BUSINESS INFORMATION), EVEN IF COMPAQ HAS BEEN ADVISED OF THE POSSIBILITY OF SUCH DAMAGES AND WHETHER IN AN ACTION OF CONTRACT OR TORT, INCLUDING NEGLIGENCE.

The limited warranties for Compaq products are exclusively set forth in the documentation accompanying such products. Nothing herein should be construed as constituting a further or additional warranty.

The following words and symbols mark special messages throughout this guide:



WARNING: Text set off in this manner indicates that failure to follow directions could result in bodily harm or loss of life.



CAUTION: Text set off in this manner indicates that failure to follow directions could result in damage to equipment or loss of information.

Maintenance & Service Guide

Compaq Deskpro EX and Deskpro EXS Series of Personal Computers Minitower Models

First Edition (September 2000)

Part Number 201856-001

Spare Parts Number 215879-001

Compaq Computer Corporation

CONTENTS

preface

About This Guide

Symbols and Conventions	vii
Technician Notes	vii
Locating Additional Information	viii

chapter 1

Product Description

1.1 Computer Features	1-2
1.1.1 Front Panel Controls and LEDs	1-2
1.1.2 Rear Panel Connectors	1-3
1.1.3 Drive Positions	1-4
1.2 Serial Number Location	1-5

chapter 2

Spare Parts

2.1 System Unit	2-2
2.2 Mass Storage Devices	2-3
2.3 Cables	2-4
2.4 Standard, Memory, and Expansion Boards	2-5
2.5 Miscellaneous Plastics Kit	2-6
2.6 Keyboards (not illustrated)	2-7
2.7 Miscellaneous Screw Kit (not illustrated)	2-7
2.8 Miscellaneous Parts (not illustrated)	2-8
2.9 Shipping Boxes (not illustrated)	2-8
2.10 Documentation and Software (not illustrated)	2-8

chapter 3

Removal and Replacement Preliminaries

3.1 Electrostatic Discharge Information	3-1
3.1.1 Generating Static	3-1
3.1.2 Preventing Electrostatic Damage to Equipment	3-2
3.1.3 Personal Grounding Methods and Equipment	3-2
3.1.4 Grounding Workstations	3-2
3.1.5 Recommended Materials and Equipment	3-3
3.2 Routine Care	3-3
3.2.1 General Cleaning Safety Precautions	3-3
3.2.2 Cleaning the Computer Case	3-4
3.2.3 Cleaning the Keyboard	3-4
3.2.4 Cleaning the Monitor	3-4
3.2.5 Cleaning the Mouse	3-5

3.3	Service Considerations	3-5
3.3.1	Power Supply Fan	3-5
3.3.2	Tools and Software Requirements	3-5
3.3.3	Screws	3-5
3.3.4	Cables and Connectors	3-6
3.3.5	Hard Drives	3-6
3.3.6	Lithium Coin Cell Battery	3-6

chapter 4

Removal and Replacement Procedures

4.1	Disassembly Sequence Chart.....	4-1
4.2	Disassembly Preparation.....	4-2
4.3	Feet Installation	4-3
4.4	Cable Lock.....	4-4
4.5	Access Panel	4-5
4.6	Front Bezel	4-6
4.7	Power Button	4-7
4.8	Subpanel and Bezel Blanks.....	4-8
4.9	Power Switch Assembly	4-9
4.10	Mass Storage Devices.....	4-10
4.10.1	Removing an Internal 3.5-Inch Hard Drive	4-12
4.10.2	Removing an External 5.25-Inch Drive	4-13
4.10.3	Removing an External 3.5-Inch Drive	4-14
4.11	Expansion Boards	4-16
4.11.1	Expansion Board Slots	4-16
4.11.2	Removing a PCI Expansion Board.....	4-17
4.11.3	Installing a PCI Expansion Board	4-18
4.12	System Memory.....	4-20
4.13	Graphics Cards.....	4-22
4.13.1	Graphics Performance Accelerator (GPA)/AGP Inline Memory Module (AIMM) Card with a Type I Retention Mechanism	4-22
4.13.2	AGP Card with a Type I Retention Mechanism.....	4-25
4.13.3	GPA/AIMM Card with a Type 2 Retention Mechanism.....	4-26
4.13.4	AGP Card with a Type 2 Retention Mechanism	4-27
4.13.5	Standard AGP Expansion Card	4-28
4.14	Processor.....	4-29
4.15	System Board.....	4-31
4.16	Battery	4-32
4.17	Chassis Fan Assembly	4-33
4.18	Power Supply.....	4-34

chapter 5

Connectors & Jumpers

5.1	System Board.....	5-1
5.1.1	Connectors and Jumpers	5-1
5.1.2	Clearing CMOS.....	5-2
5.1.3	Disabling or Clearing the Power-On and Setup Passwords	5-3
5.2	Hard Drive Jumper Settings.....	5-4
5.2.1	Seagate, Quantum, and Western Digital	5-4
5.2.2	Maxtor.....	5-5

chapter 6
Specifications

6.1	Specifications.....	6-1
6.1.1	System.....	6-1
6.1.2	System Interrupts	6-2
6.1.3	System DMA.....	6-2
6.1.4	ICH Fixed I/O Registers.....	6-3
6.1.5	System Memory Map.....	6-5
6.2	Drives.....	6-6
6.2.1	1.44-MB Diskette Drive.....	6-6
6.2.2	Ultra ATA Hard Drives.....	6-7
6.2.3	CD-ROM Drives	6-8
6.3	Compaq Keyboard.....	6-9
6.4	Scroll Mouse.....	6-9
6.5	Supported Graphics Resolutions.....	6-10
6.5.1	Intel 3D Graphics	6-10
6.5.2	nVIDIA M64 Pro	6-10
	<i>index</i>	<i>I-1</i>

preface

ABOUT THIS GUIDE

This *Maintenance & Service Guide* is a troubleshooting and repair guide that can be used for reference when servicing the Compaq *Deskpro EX Series of Personal Computers Minitower Model*. Only authorized technicians trained by Compaq should attempt to repair this equipment.

Compaq Computer Corporation reserves the right to make changes to the these models without notice.

Symbols and Conventions

The following text and symbols mark special messages throughout this guide:



WARNING: Text set off in this manner indicates that failure to follow directions in the warning could result in bodily harm or loss of life.



CAUTION: Text set off in this manner indicates that failure to follow directions could result in damage to equipment or loss of data.



Text set off in this manner presents commentary, sidelights, clarifying information, or specific instructions.

Technician Notes



WARNING: Only authorized technicians trained by Compaq should attempt to repair this equipment. All troubleshooting and repair procedures are detailed to allow only subassembly/module level repair. Because of the complexity of the individual boards and subassemblies, no one should attempt to make repairs at the component level or to make modifications to any printed wiring board. Improper repairs can create a safety hazard. Any indications of component replacement or printed wiring board modifications may void any warranty.



WARNING: To reduce the risk of electric shock or damage to the equipment:

- Do not disable the power grounding plug. The grounding plug is an important safety feature.
- Plug the power cord into a grounded (earthed) electrical outlet that is easily accessible at all times.
- Disconnect the power from the computer by unplugging the power cord either from the electrical outlet or the computer.



CAUTION: To properly ventilate your system, you must provide at least 3 inches (7.6 cm) of clearance at the front and back of the computer.

Locating Additional Information

The following documentation is available to support these products:

- User Documentation
- Technical Training Guides
- Compaq Service Advisories and Bulletins
- Compaq QuickFind
- *Technical Reference Guide*
- *Compaq Quick Reference Guide*
- *Compaq Service Reference Guide*
- *Compaq Quick Troubleshooting Guide*

chapter 1

PRODUCT DESCRIPTION

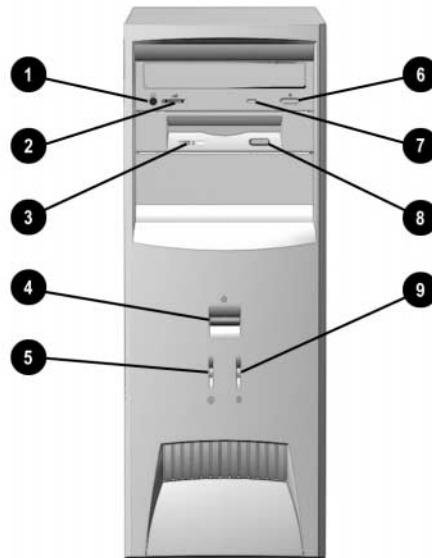
This chapter describes the model offerings and features of the Compaq Deskpro EX Series of Personal Computers Minitower Model.



1.1 Computer Features

Compaq Deskpro EX Series of Personal Computers Minitower Model ships with a mouse and keyboard. Some models are also equipped with a CD-ROM drive. A Compaq color monitor or other compatible monitor does not ship with the computer.

1.1.1 Front Panel Controls and LEDs

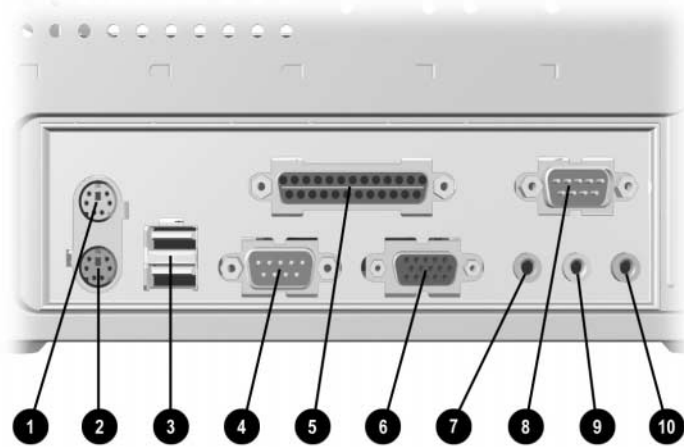


Ref.	Component/Function	Ref.	Component/Function
❶	Stereo Headphone Jack*	❹	CD-ROM Eject Button*
❷	Headphone Volume Control*	❺	CD-ROM Drive Busy Indicator*
❸	Diskette Drive Activity Light	❻	Diskette Eject Button
❹	Dual-State Power Button	❼	Drive Activity Light**
❺	Power-On Light		

*CD-ROM models only.

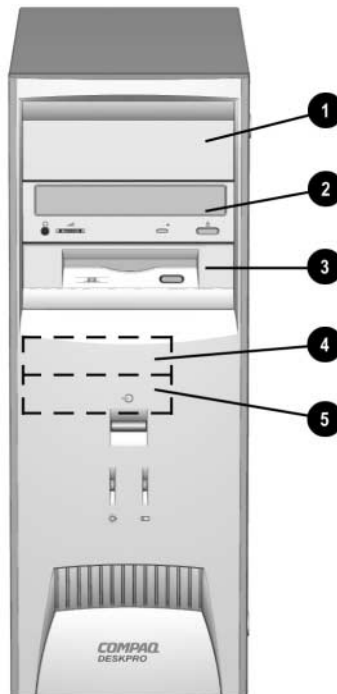
**Flashes when an ATAPI device, such as the hard drive, is active.

1.1.2 Rear Panel Connectors



Ref.	Component	Ref.	Component
①	Mouse Connector	⑥	Monitor Connector
②	Keyboard Connector	⑦	Headphone/Line-Out Audio Connector
③	Universal Serial Bus (USB) Connectors (2) (connects the computer to any USB peripheral while the computer is operating; is a fully functional plug and play connector)	⑧	Serial Connector
④	Serial Connector	⑨	Line-In Audio Connector
⑤	Parallel Port Connector	⑩	Microphone Connector

1.1.3 Drive Positions



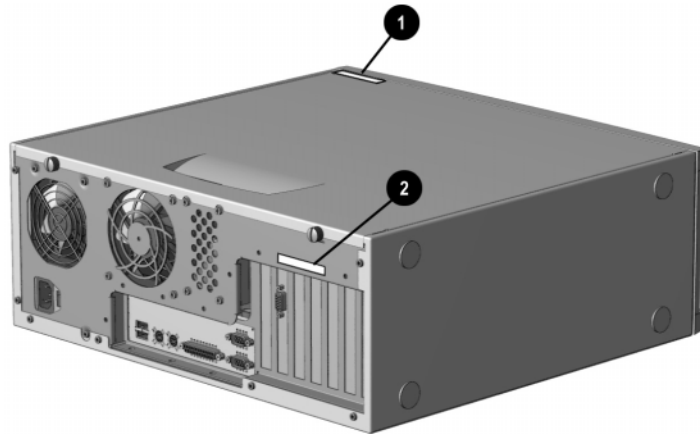
Reference	Drive Bay	Configuration
①, ②	1, 2	Two standard 5.25-inch, half-height bays for optional drives
③	3	One standard 3.5-inch, 1.44-MB diskette drive mounted with a drive adapter into a 5.25-inch bay
④, ⑤	4, 5	Two standard 3.5-inch drive bays; Bay 4 contains the preinstalled hard drive; Bay 5 is available for an optional hard drive

Drive bay numbers are stamped on the chassis.

To verify the type and size of the mass storage devices installed in the computer, run F10 Compaq Computer Setup.

1.2 Serial Number Location

The serial number and model information label is located on the access panel of the unit ❶. A second barcode label is located on the rear of the unit ❷.



For the purpose of AssetControl, the serial number is embedded in CMOS and in the EEPROM on the system board and may be accessed through Diagnostics for Windows.

If the system board is replaced with a spare part from Compaq, the invalid serial number condition will be recognized during POST. The original serial number must then be reentered through Computer Setup. Refer to the Software Reference Guide for more information.



CAUTION: A system board borrowed from another computer is recognized as a valid serial number and will create a mismatch between the serial number label and the electronic serial number.

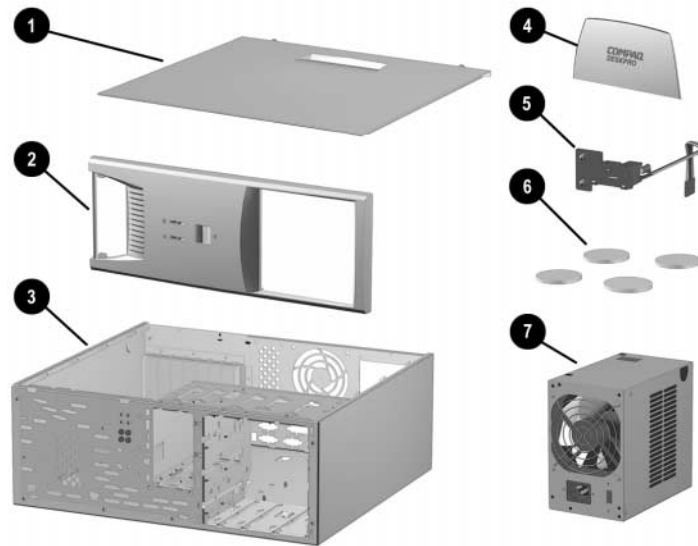
The computer serial number should be provided to Compaq when requesting information or ordering spare parts.

chapter 2

SPARE PARTS

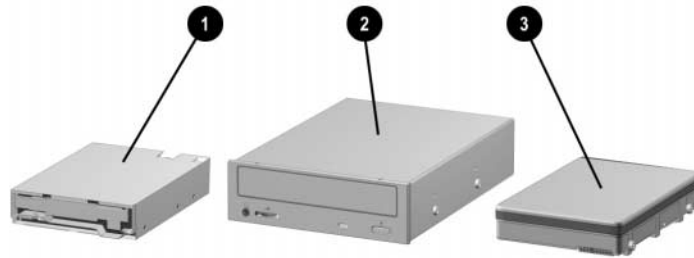


2.1 System Unit



Description	Spare Part Number	Warranty Tier
1 Access panel	Not spared	
2 Front bezel	166868-001	B
3 Chassis/basepan	Not spared	
4 Logo Kit (only minitower version-166806-002-used)	166924-001	B
5 Power switch with cable, LED and switch holder	199854-001	
6 Feet	Misc Plastics Kit	B
7 Power supply	201828-001	B

2.2 Mass Storage Devices



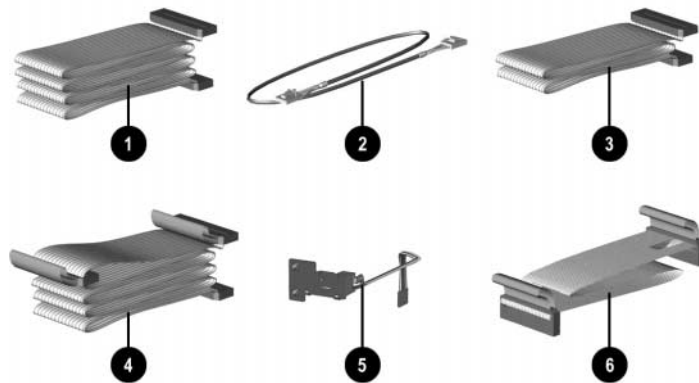
Description	Spare Part Number	Warranty Tier
1 Diskette drive, 3.5-inch	158266-001	D
2 48X Max tray load IDE CD-ROM drive	187263-001	B
3 10.0-GB Ultra ATA hard drive (66/5400) quiet	203139-001	B
* 15.0-GB Ultra ATA hard drive (66/5400)	202903-001	B

*Not shown

(nn/nnnn) = hard drive transfer rate (MBytes/sec)/RPM

Ultra ATA/100 hard drives are backwards compatible with Ultra ATA/66 devices; however, the data transfer rate is reduced to 66MB/sec.

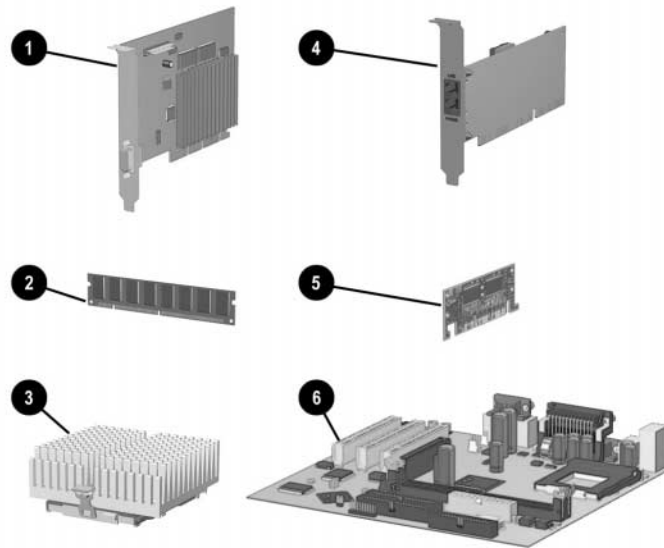
2.3 Cables



Description	Spare Part Number	Warranty Tier
Cable Kit includes:	192264-001	B
1 Single device, hard drive/CD-ROM cable, 18" (108950-019)		
2 Audio cable, 21" (387527-001)		
* Single device, hard drive/CD-ROM cable, 12.5" (105876-001)		
* Audio cable, 21", (288489-002) (not used for this product)		
3 Single device, hard drive/CD-ROM cable, 9.75" (108950-021)		
4 Dual device, hard drive/CD-ROM cable, 18", 10" to the first connector	196667-001	B
5 Power switch/LED cable	199854-001	B
6 Diskette drive cable	161735-001	B
* CD audio cable	149806-001	D

*Not shown

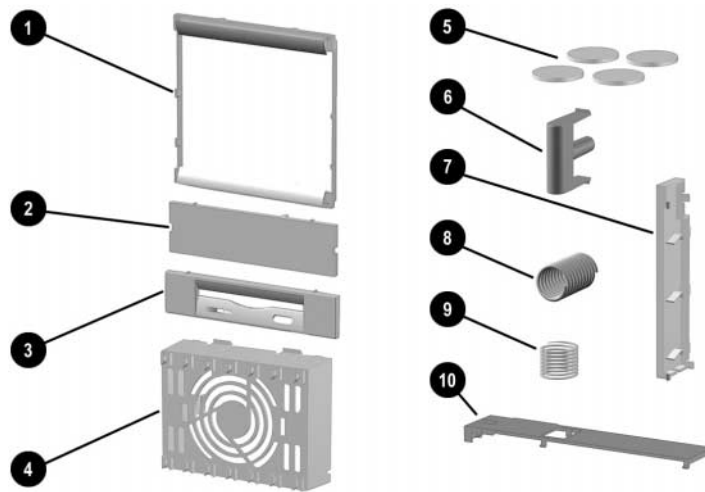
2.4 Standard, Memory, and Expansion Boards



Description	Spare Part Number	Warranty Tier
1 Nvidia M64 16MB SDRAM AGP Card	182757-001	B
5 AIMM (GPA) 4MB, 133MHz for graphics Memory Module (SDIMM, 133 MHz)	192012-001	B
2 128 MB	170081-001	B
256 MB	192014-001	B
Intel Pentium III Processor		
3 566/66 MHz with heatsink (191832-002) and clip (223575-007).	203967-001	B
* 600/66 MHz with heatsink (191832-002) and clip (223575-007).	192011-001	B
* 667/133 MHz with heatsink (191832-002) and clip (223575-007).	192007-001	B
* 700/66 MHz with heatsink (191832-002) and clip (223575-007).	203968-001	B
* 733/133 MHz with heatsink (191832-002) and clip (223575-007).	192008-001	B
* 800/133 MHz with heatsink (191832-002) and clip (223575-007).	192009-001	B
* 866/133 MHz with fansink (191845-002). Fansink includes fan, heatsink, and clip.	192006-001	B
* 933/133 MHz with fansink (191845-002). Fansink includes fan, heatsink, and clip.	203969-001	B
4 10/100 PCI Network Interface Card	188297-001	B
6 System Board	203966-001	B

*Not shown.

2.5 Miscellaneous Plastics Kit



Description	Spare Part Number	Warranty Tier
Miscellaneous Plastics Kit, includes:	166878-001	B
1 Panel, sub (166835-001)		
2 Bezel, blank (166775-001)		
3 Diskette bezel (166776-001)		
4 Card guide (166778-001)		
5 Foot, rubber (4 ea.) (166939-002)		
6 Button, power (166774-001)		
7 Drivelock, DT (166779-001) (not used with this product)		
8 Spring, power button (166837-001)		
9 Springs, drivelock (2 ea.) (166837-002)		
10 Drivelock, MT (166780-001)		
* Retention mechanism (2 ea.) (350767-001)		

*Not shown

2.6 Keyboards (not illustrated)

Description	Spare Part Number	Warranty Tier
Easy Access Keyboard-US	123130-xxx	D
Dutch	-331	
Finnish	-351	
French	-051	
International	-B31	
Norwegian	-091	
Spanish	-071	
Swedish	-101	
UK	-031	
US	-001	

2.7 Miscellaneous Screw Kit (not illustrated)

Description	Spare Part Number	Warranty Tier
Miscellaneous Screw Kit, includes:	179180-001	D
6-32 x 1/4 hi-top, thread-forming screw with serrations (5 ea.) (192308-001)		
6-19 x 5/16 panhead, plastite screw (4 ea.) (101346-068)		
6-19 x .5/16 hi-top, taptite screw with captive washer (4 ea.) (114399-069)		
6-32 x 3/16 hi-top, thread-forming screw with serrations (5 ea.) (192308-003)		
M3 x 5mm, hi-top, taptite screw with serrations (4 ea.) (247348-001)		
6-32 x 3/16 buttonhead tamper-resistant, taptite screw with serrations (3 ea.) (296769-002)		
6-32 x 5/16 hi-top, taptite screw (4 ea.) (109834-568)		
6-19 x 1/2 Panhead, plastite screw (5 ea.) (101346-071)		
Thumbscrew, molded cap (4 ea.) (179333-002)		

2.8 Miscellaneous Parts (not illustrated)

Description	Spare Part Number	Warranty Tier
Mouse – Scroll, Opal	334689-002	D

2.9 Shipping Boxes (not illustrated)

Description	Spare Part Number
Return Kit	166990-002

2.10 Documentation and Software (not illustrated)

Description	Spare Part Number
Maintenance & Service Guide	215879-001
Illustrated Parts Map	215880-001
Service Reference Guide	152611-001
Quick Troubleshooting Guide	153837-001

chapter 3

REMOVAL & REPLACEMENT PRELIMINARIES

This chapter provides general service information for the computer. Adherence to the procedures and precautions described in this chapter is essential for proper service.



CAUTION: When the computer is plugged into an AC power source there is always voltage applied to the system board. You must disconnect the power cord from the power source before opening the computer to prevent system board or component damage.

3.1 Electrostatic Discharge Information

A sudden discharge of static electricity from your finger or other conductor can destroy static-sensitive devices or microcircuitry. Often the spark is neither felt nor heard, but damage occurs. An electronic device exposed to electrostatic discharge (ESD) may not be affected at all and can work perfectly throughout a normal cycle. The device may function normally for a while, then degrade in the internal layers, reducing its life expectancy.

Networks built into many integrated circuits provide some protection, but in many cases, the discharge contains enough power to alter device parameters or melt silicon junctions.

3.1.1 Generating Static

The following table shows that:

- Different activities generate different amounts of static electricity.
- Static electricity increases as humidity decreases.

Event	Relative Humidity		
	55%	40%	10%
Walking across carpet	7,500 V	15,000 V	35,000 V
Walking across vinyl floor	3,000 V	5,000 V	12,000 V
Motions of bench worker	400 V	800 V	6,000 V
Removing DIPs* from plastic tube	400 V	700 V	2,000 V
Removing DIPs* from vinyl tray	2,000 V	4,000 V	11,500 V
Removing DIPs* from Styrofoam	3,500 V	5,000 V	14,500 V
Removing bubble pack from PCB	7,000 V	20,000 V	26,500 V
Packing PCBs in foam-lined box	5,000 V	11,000 V	21,000 V

*Dual Inline Packaging (DIP) is the packaging around individual microcircuitry. These are then multi-packaged inside plastic tubes, trays, or Styrofoam.

 700 volts can degrade a product.

3.1.2 Preventing Electrostatic Damage to Equipment

Many electronic components are sensitive to ESD. Circuitry design and structure determine the degree of sensitivity. The following proper packaging and grounding precautions are necessary to prevent damage to electric components and accessories.

- To avoid hand contact, transport products in static-safe containers such as tubes, bags, or boxes.
- Protect all electrostatic parts and assemblies with conductive or approved containers or packaging.
- Keep electrostatic sensitive parts in their containers until they arrive at static-free stations.
- Place items on a grounded surface before removing them from their container.
- Always be properly grounded when touching a sensitive component or assembly.
- Avoid contact with pins, leads, or circuitry.
- Place reusable electrostatic-sensitive parts from assemblies in protective packaging or conductive foam.

3.1.3 Personal Grounding Methods and Equipment

Use the following equipment to prevent static electricity damage to equipment:

- **Wrist straps** are flexible straps with a minimum of one-megohm +/- 10% resistance in the ground cords. To provide proper ground, a strap must be worn snug against bare skin. The ground cord must be connected and fit snugly into the banana plug connector on the grounding mat or workstation.
- **Heel straps/Toe straps/Boot straps** can be used at standing workstations and are compatible with most types of shoes or boots. On conductive floors or dissipative floor mats, use them on both feet with a minimum of one-megohm +/- 10% resistance between the operator and ground.

Static Shielding Protection Levels

Method	Voltage
Antistatic plastic	1,500
Carbon-loaded plastic	7,500
Metallized laminate	15,000

3.1.4 Grounding Workstations

To prevent static damage at the workstation, use the following precautions:

- Cover the workstation with approved static-dissipative material. Provide a wrist strap connected to the work surface and properly grounded tools and equipment.
- Use static-dissipative mats, foot straps, or air ionizers to give added protection.
- Handle electrostatic sensitive components, parts, and assemblies by the case or PCB laminate. Handle them only at static-free workstations.
- Turn off power and input signals before inserting and removing connectors or test equipment.

- Use fixtures made of static-safe materials when fixtures must directly contact dissipative surfaces.
- Keep work area free of nonconductive materials such as ordinary plastic assembly aids and Styrofoam.
- Use field service tools, such as cutters, screwdrivers, and vacuums, that are conductive.

3.1.5 Recommended Materials and Equipment

Materials and equipment that are recommended for use in preventing static electricity include:

- Antistatic tape
- Antistatic smocks, aprons, or sleeve protectors
- Conductive bins and other assembly or soldering aids
- Conductive foam
- Conductive tabletop workstations with ground cord of one-megohm +/- 10% resistance
- Static-dissipative table or floor mats with hard tie to ground
- Field service kits
- Static awareness labels
- Wrist straps and footwear straps providing one-megohm +/- 10% resistance
- Material handling packages
- Conductive plastic bags
- Conductive plastic tubes
- Conductive tote boxes
- Opaque shielding bags
- Transparent metallized shielding bags
- Transparent shielding tubes

3.2 Routine Care

3.2.1 General Cleaning Safety Precautions

1. Never use solvents or flammable solutions to clean the computer.
2. Never immerse any parts in water or cleaning solutions; apply any liquids to a clean cloth and then use the cloth on the component.
3. Always turn off the computer when cleaning with liquids or damp cloths.
4. Always turn off the computer before cleaning the keyboard, mouse, or air vents.
5. Disconnect the keyboard before cleaning it.
6. Wear safety glasses equipped with side shields when cleaning the keyboard.

3.2.2 Cleaning the Computer Case

Follow all safety precautions in Section 3.2.1 before cleaning the computer.

To clean the computer case, follow the procedures described below:

- To remove light stains or dirt, use plain water with a clean, lint-free cloth or swab.
- For stronger stains, use a mild dishwashing liquid diluted with water. Rinse well by wiping it with a cloth or swab dampened with clear water.
- For stubborn stains, use isopropyl (rubbing) alcohol. No rinsing is needed as the alcohol will evaporate quickly and not leave a residue.
- After cleaning, always wipe the unit with a clean, lint-free cloth.
- Occasionally clean the air vents on the computer. Lint and other foreign matter can block the vents and limit the airflow.

3.2.3 Cleaning the Keyboard

Follow all safety precautions in Section 3.2.1 before cleaning the keyboard.

To clean the tops of the keys or the keyboard body, follow the procedures described in Section 3.2.2.

When cleaning debris from under the keys, review all rules in Section 3.2.1 before following these procedures:



CAUTION: Use safety glasses equipped with side shields before attempting to clean debris from under the keys.

- Visible debris underneath or between the keys may be removed by vacuuming or shaking.
- Canned, pressurized air may be used to clean debris from under the keys. Caution should be used as too much air pressure can dislodge lubricants applied under the wide keys.
- If you remove a key, use a specially designed key puller to prevent damage to the keys. This tool is available through many electronic supply outlets.



CAUTION: Never remove a wide leveled key (like the space bar) from the keyboard. If these keys are improperly removed or installed, the keyboard may not function properly.

- Cleaning under a key may be done with a swab moistened with isopropyl alcohol and squeezed out. Be careful not to wipe away lubricants necessary for proper key functions. Use tweezers to remove any fibers or dirt in confined areas. Allow the parts to air dry before reassembly.

3.2.4 Cleaning the Monitor

- Wipe the monitor screen with a clean cloth moistened with water or with a towelette designed for cleaning monitors. Do not use sprays or aerosols directly on the screen, the liquid may seep into the housing and damage a component. Never use solvents or flammable liquids on the monitor.
- To clean the monitor body follow the procedures in Section 3.2.2.

3.2.5 Cleaning the Mouse

Before cleaning the mouse, ensure that the power to the computer is turned off.

- Clean the mouse ball by first removing the retaining plate and the ball from the housing. Pull out any debris from the ball socket and wipe the ball with a clean dry cloth before reassembly.
- To clean the mouse body, follow the procedures in 3.2.2.

3.3 Service Considerations

Listed below are some of the considerations that you should keep in mind during the disassembly and assembly of the computer.

3.3.1 Power Supply Fan

The power supply fan is a variable-speed fan based on the temperature in the power supply.



CAUTION: The cooling fan is off **only** when the computer is turned off or the power cable has been disconnected.

The cooling fan is always on in all other instances (when the computer is either in the “On,” “Standby,” or “Suspend” mode).

You must disconnect the power cord from the power source before opening the computer to prevent system board or component damage.

3.3.2 Tools and Software Requirements

To service the computer, you need the following:

- Torx T-15 screwdriver (Compaq screwdriver with bits PN 161946-001)
- Flat-bladed screwdriver (may sometimes be used in place of the Torx screwdriver)
- Diagnostics software
- Compaq tamper-resistant T-15 wrench (Smart Cover FailSafe Key, PN 166527-001) or Compaq tamper-resistant bits (Smart Cover FailSafe Key, PN 166527-002)

3.3.3 Screws

The screws used in the computer are not interchangeable. They may have standard or metric threads and may be of different lengths. If an incorrect screw is used during the reassembly process, it can damage the unit. Compaq strongly recommends that all screws removed during disassembly be kept with the part that was removed, then returned to their proper locations.



As each subassembly is removed from the computer, it should be placed away from the work area to prevent damage.

3.3.4 Cables and Connectors

Most cables used throughout the unit are flat, flexible cables. These cables must be handled with care to avoid damage. Apply only the tension required to seat or unseat the cables during insertion or removal from the connector. Handle cables by the connector whenever possible. In all cases, avoid bending or twisting the cables, and ensure that the cables are routed in such a way that they cannot be caught or snagged by parts being removed or replaced.



CAUTION: When servicing this computer, ensure that cables are placed in their proper location during the reassembly process. Improper cable placement can damage the computer.

3.3.5 Hard Drives

Handle hard drives as delicate precision components, avoiding all physical shock and vibration. This applies to failed drives as well as replacement spares.

- If a drive must be mailed, place the drive in a bubble-pack mailer or other suitable protective packaging and label the package “Fragile: Handle With Care.”
- Do not remove hard drives from the shipping package for storage. Keep hard drives in their protective packaging until they are actually mounted in the CPU.
- Avoid dropping drives from any height onto any surface.
- If you are inserting or removing a hard drive, turn off the computer. Do not remove a hard drive while the computer is on or in standby mode.
- Before handling a drive, ensure that you are discharged of static electricity. While handling a drive, avoid touching the connector. For more information about preventing electrostatic damage, refer to Section 3.1, “Electrostatic Discharge.”
- Do not use excessive force when inserting a drive.
- Avoid exposing a hard drive to liquids, temperature extremes, or products that have magnetic fields such as monitors or speakers.

3.3.6 Lithium Coin Cell Battery

The battery that comes with the computer provides power to the real-time clock and has a minimum lifetime of about three years.

See Chapter 4, “Removal and Replacement Procedures,” for instructions on the replacement procedures.



WARNING: This computer contains a lithium battery. There is a risk of fire and chemical burn if the battery is handled improperly. Do not disassemble, crush, puncture, short external contacts, dispose in water or fire, or expose it to temperatures higher than 140°F (60°C).



CAUTION: Batteries, battery packs, and accumulators should not be disposed of together with the general household waste.

chapter 4

REMOVAL AND REPLACEMENT PROCEDURES

This chapter provides general service information for the computer. Adherence to the procedures and precautions described in this chapter is essential for proper service.

After completing all necessary removal and replacement procedures, run the Diagnostics utility to verify that all components operate properly.

4.1 Disassembly Sequence Chart

Use the chart below to determine the disassembly sequence for removing components from the computer.

4.3	Feet Installation
4.4	Cable Lock
4.5	Access Panel
4.6	Front Bezel
	4.7 Power Button
	4.8 Subpanel and Bezel Blanks
	4.9 Power Switch Assembly
	4.10.1 Removing an Internal 3.5-Inch Hard Drive
	4.10.2 Removing an External 5.25-Inch Drive
	4.10.3 Removing an External 3.5-Inch Drive
4.11	Expansion Boards
4.12	System Memory
4.13	Graphics Cards
4.14	Processor
4.15	System Board
4.16	Lithium Battery
4.17	Chassis Fan Assembly
4.18	Power Supply

4.2 Disassembly Preparation

Before adding any internal options or performing a removal/replacement:

1. Remove any diskette, compact disc, or tape from the computer.
2. Turn off the computer and any peripheral devices that are connected to it.



WARNING: Power is continuous to the system board and power supply even when the power switch is turned off. To prevent damage to the unit, disconnect the power cord from the power source or the unit before beginning disassembly procedures.



CAUTION: Turn off the computer before disconnecting any cables.

-
3. Disconnect the power cord from the electrical outlet and then from the computer.
 4. Disconnect all peripheral device cables from the computer.



During disassembly, label each cable as you remove it, noting its position and routing. Keep all screws with the components removed.



CAUTION: The screws used in the computer are of different thread sizes and lengths; using the wrong screw in an application may damage the unit.



WARNING: To reduce the risk of personal injury from hot surfaces, allow the internal system components to cool before touching.

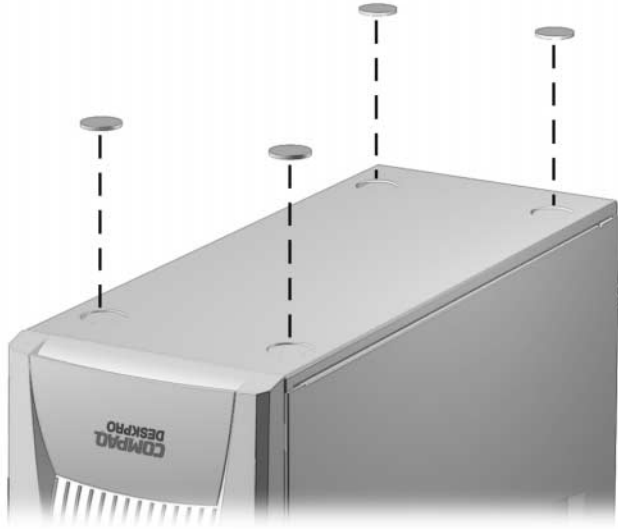


CAUTION: Static electricity can damage the electronic components of the computer or optional equipment. Before beginning these procedures, ensure that you are discharged of static electricity by briefly touching a grounded metal object. For more information, refer to Chapter 3, "Removal and Replacement Preliminaries."

4.3 Feet Installation

Four (4) rubber feet are mounted to the chassis, as shown below. No parts have to be removed to access the feet. The replacement feet have an adhesive surface and are shipped with a protective backing in place. Remove the backing from the feet before installation.

If necessary, remove the old feet and remove any adhesive residue from the chassis.



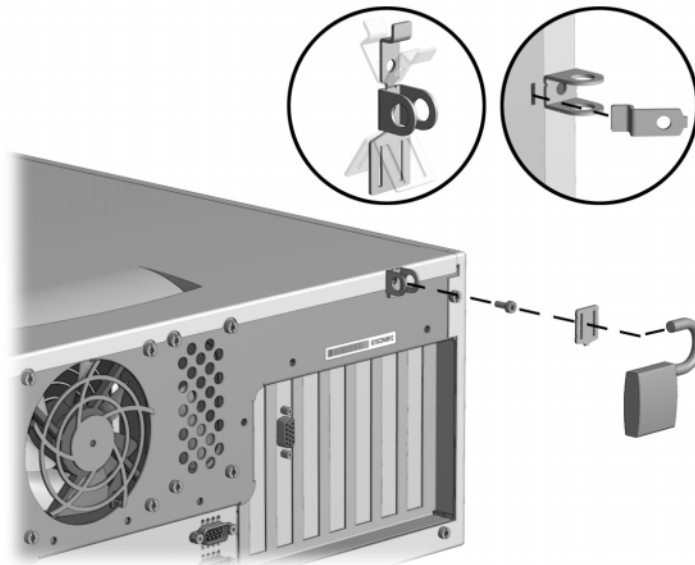
4.4 Cable Lock



WARNING: To avoid injury, use care in handling the separated pieces of the cable lock bracket; metal edges may be sharp. Be sure to install the bracket so that sharp edges do not extend from the edges of the computer chassis.

Depending on the model, the computer includes a cable lock provision, which consists of a three-piece security bracket. The bottom part of the bracket is attached to the computer with a screw; the top part of the bracket covers the screw and prevents its removal.

1. Separate the pieces of the security bracket by bending the metal where the three pieces join.
2. Slide the tab on the narrow piece of the bracket into the notch on the back of the computer and rotate this piece toward the screw hole, then slide the U-shaped piece of the bracket between the narrow piece and the computer.
3. Position both pieces of the bracket over the screw hole and secure the bracket to the computer with the screw provided.
4. Cover the screw with the flat portion of the security bracket.
5. Install a padlock (not provided) to secure the top part of the security bracket and inhibit access to the inside of the computer. Install a cable lock (not provided) to inhibit access to the interior of the computer and secure the computer to a fixed object.



To remove the cable lock provision, reverse the above procedure.

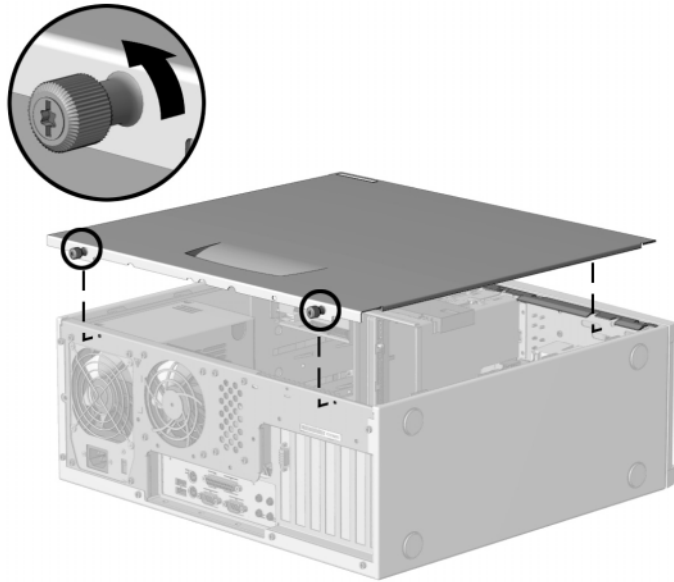
4.5 Access Panel

1. Prepare the computer for disassembly (Section 4.2).



WARNING: Power is continuous to the system board and power supply even when the power switch is turned off. To prevent damage to the unit, disconnect the power cord from the power source or the unit before beginning disassembly procedures.

2. Lay the computer down on its large base for greater stability.
3. Loosen the two thumbscrews that secure the access panel to the back of the computer chassis.
4. Slide the access panel backward approximately 1-inch (2.5-cm); then lift it up and off the unit.



To replace the access panel, reverse the previous steps.

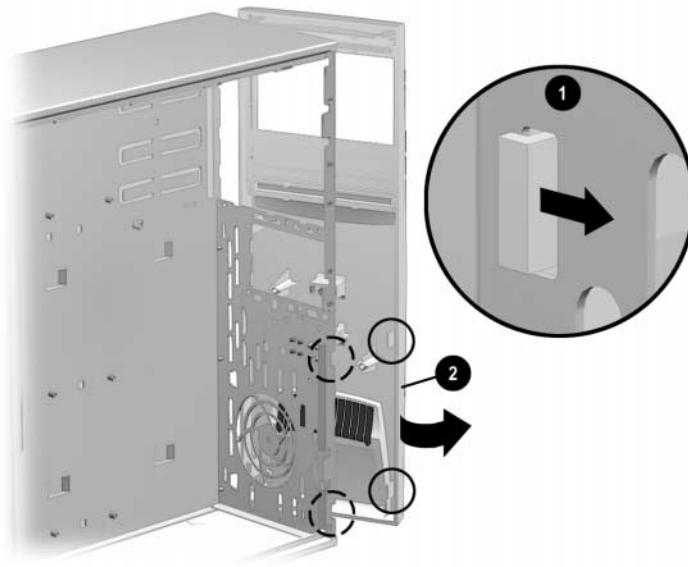
4.6 Front Bezel

1. Prepare the computer for disassembly (Section 4.2).



WARNING: Power is continuous to the system board and power supply even when the power switch is turned off. To prevent damage to the unit, disconnect the power cord from the power source or the unit before beginning disassembly procedures.

2. Remove the access panel (Section 4.5).
3. Press the release tabs ❶ on the side of the front bezel.
4. Rotate the front bezel away from the chassis to remove it from the unit ❷.



When replacing the front bezel, ensure that the bottom hinge points are properly placed in the chassis before rotating the front bezel back into its original position.

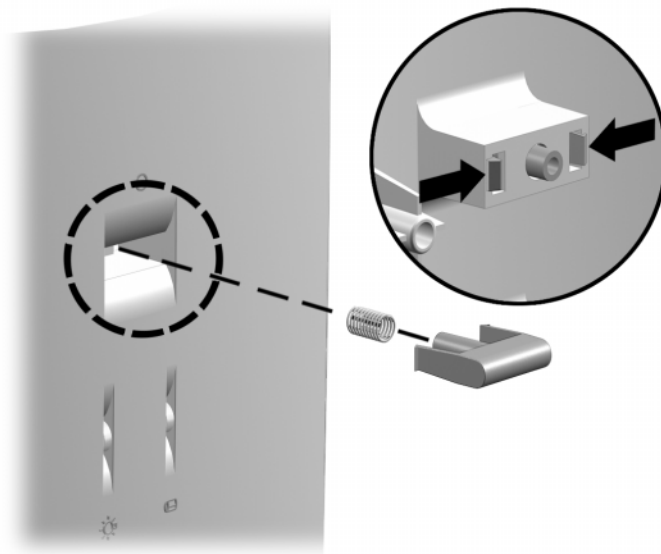
4.7 Power Button

1. Prepare the computer for disassembly (Section 4.2).



WARNING: Power is continuous to the system board and power supply even when the power switch is turned off. To prevent damage to the unit, disconnect the power cord from the power source or the unit before beginning disassembly procedures.

2. Lay the computer down on its large base for greater stability.
3. Remove the access panel (Section 4.5).
4. Remove the front bezel (Section 4.6).
5. Pinch the two tabs of the power button together and pull the button out of the front bezel. The spring will follow the button out of the housing.



To replace the power button, reverse the above procedure.

4.8 Subpanel and Bezel Blanks

The subpanel and bezel blanks must be removed from the front bezel if you are installing a mass storage device for the first time.



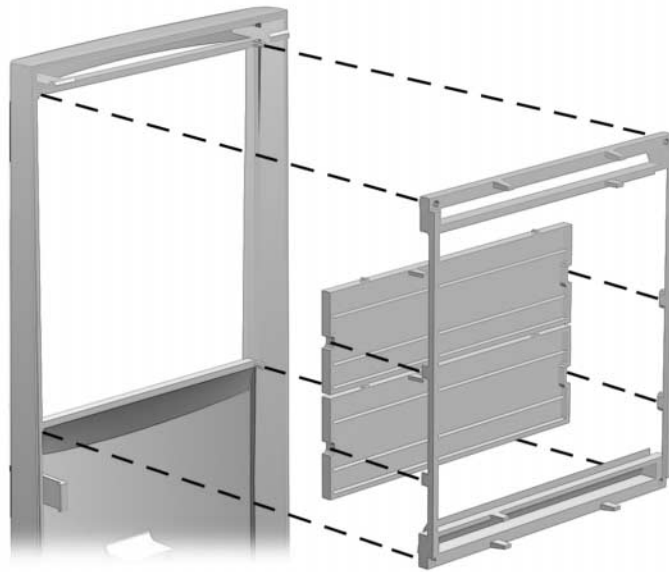
WARNING: Power is continuous to the system board and power supply even when the power switch is turned off. To prevent damage to the unit, disconnect the power cord from the power source or the unit before beginning disassembly procedures.

1. Prepare the computer for disassembly (Section 4.2).
 2. Lay the computer down on its large base for greater stability.
 3. Remove the access panel (Section 4.5).
 4. Remove the front bezel (Section 4.6).
 5. Pull on the subpanel to remove it from the inside of the front bezel.
-



CAUTION: Hold the subpanel straight when you pull it away from the front bezel. Pulling at an angle could damage the pins that align the subpanel within the front bezel.

6. Gently push on the bezel blanks to remove them from the subpanel.



CAUTION: When replacing the subpanel, ensure that the aligning pins and any remaining bezel blanks are in the proper orientation to prevent damage to the alignment pins.



The subpanel has markings on it to facilitate installation.

4.9 Power Switch Assembly



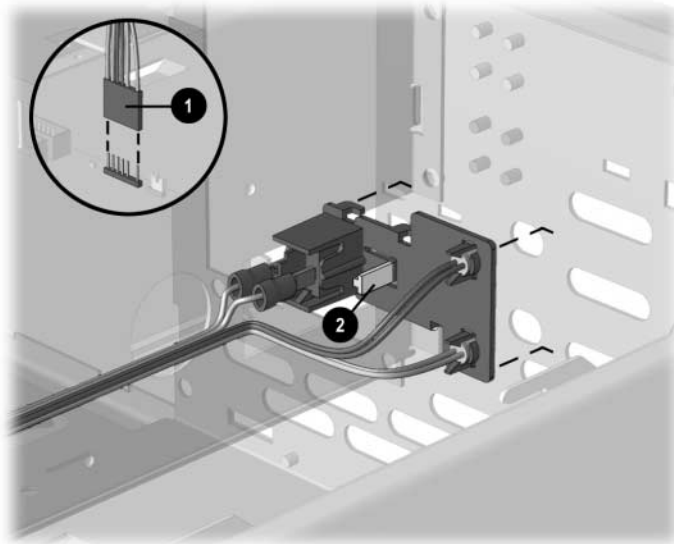
CAUTION: The power switch should not be removed from the switch holder. Doing so may damage the switch components.

1. Prepare the computer for disassembly (Section 4.2).



WARNING: Power is continuous to the system board and power supply even when the power switch is turned off. To prevent damage to the unit, disconnect the power cord from the power source or the unit before beginning disassembly procedures.

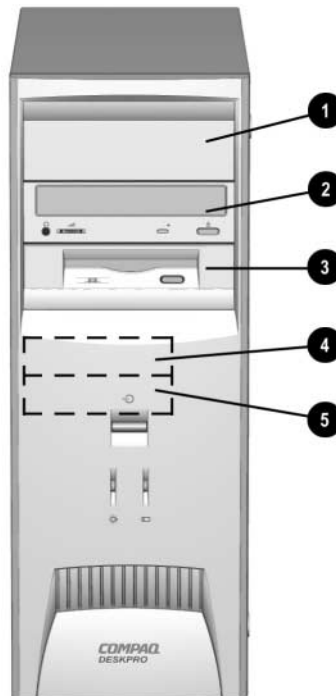
2. Lay the computer down on its large base for greater stability.
3. Remove the access panel (Section 4.5).
4. Remove the front bezel (Section 4.6).
5. Disconnect the power/LED cable from the system board ❶.
6. Push the release tab ❷ toward the drive bays, then remove the power switch assembly from the chassis.



To install the new power switch, reverse the above procedure, pushing the switch assembly until it snaps into place. The power/LED connector is keyed to ensure proper installation.


4.10 Mass Storage Devices

The Compaq Deskpro EX Series of Personal Computers support up to five drives in various configurations.



Drive Positions

Reference	Drive Bay	Configuration
①②	1, 2	Two standard 5.25-inch, half-height bays for optional drives.
③	3	One standard 3.5-inch, 1.44-MB diskette drive mounted with a drive adapter into a 5.25-inch bay.
④⑤	4, 5	Two standard 3.5-inch drive bays; bay 4 contains the preinstalled hard drive, bay 5 is available for an optional hard drive.

 Drive bay numbers are stamped on the chassis.

To verify the type and size of the mass storage devices installed in the computer, run Computer Setup.

When installing additional drives, follow these guidelines:

- For optimal performance, connect hard drives to the primary controller. Connect expansion devices, such as CD-ROM, IDE tape, and diskette drives to the secondary controller.
- You may install either a third-height or a half-height drive into a half-height bay.
- You must install guide screws to ensure that the drive lines up correctly in the drive cage. Compaq has provided extra guide screws, which are installed in the front of the computer chassis, behind the front bezel. Some options require metric hardware. Compaq-supplied metric screws are black.



WARNING: Power is continuous to the system board and power supply even when the power switch is turned off. To prevent damage to the unit, disconnect the power cord from the power source or the unit before beginning disassembly procedures.

Using the Cable-Select Feature with Ultra ATA Devices

Optional drives are available from Compaq in kits that include a special drive cable. The configuration of the drives employs a cable-select feature that identifies the drives as device 0 (primary drive) or device 1 (secondary drive). The system board determines which drive is device 0 or device 1, based on the way the drives are connected to the special drive cable. The device 0 drive is the drive connected to the short segment of the drive cable (or that connector closest to the system board); the device 1 drive is the drive connected to the long segment of the drive cable.

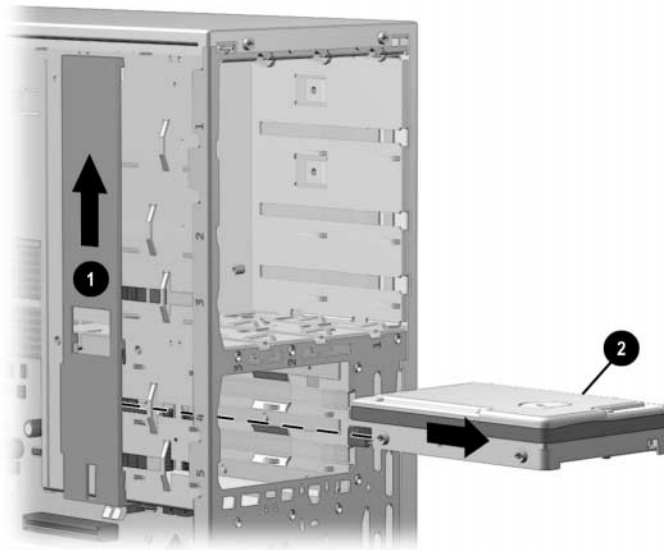
Drive installation requires no jumper setting changes on the existing or optional drives. All Compaq drives have the jumpers preset for cable-select installation.




If installing a second device on the primary controller, you must use an 80-conductor Ultra ATA cable for optimal performance. This cable is available as a Compaq option.

4.10.1 Removing an Internal 3.5-Inch Hard Drive

1. Prepare the computer for disassembly (Section 4.2).
2. Remove the access panel (Section 4.5).
3. Remove the front bezel (Section 4.6).
4. Disconnect the power and data cables from the back of the hard drive.
5. Slide the drivelock mechanism to unlock the hard drives ❶.
6. While holding the drivelock in the unlocked position, remove the drive from the drive bay ❷.



7. Remove the guide screws from the drive.
8. Install two guide screws on each side of the replacement drive (use silver screws).

 Metric screws (M3) have a black finish while U.S. screws (#6) have a silver finish.

Replace the 3.5-inch drive by reversing the above procedure.



CAUTION: When servicing the computer, ensure that cables are placed in their proper locations during the reassembly process. Improper cable placement can damage the computer.



CAUTION: Use only 3/16-inch or 5-mm long screws as guide screws. Longer screws can damage the internal components of the drive.



When installing a second ATA hard drive on the primary controller, you must use an 80-conductor ATA cable for optimal performance.

The system automatically recognizes hard drives sold by Compaq (or any other plug and play hard drive) and will automatically reconfigure the computer. If you installed a third-party hard drive, or one that is not a plug and play device, you must run Computer Setup to reconfigure the computer.

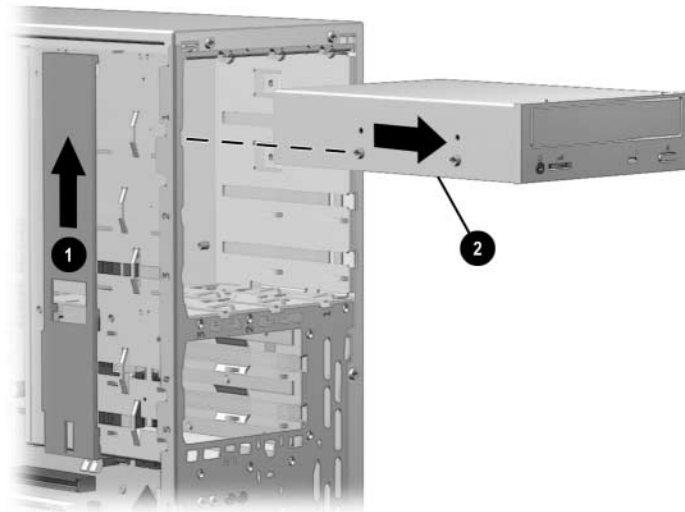
4.10.2 Removing an External 5.25-Inch Drive

1. Prepare the computer for disassembly (Section 4.2).



WARNING: Power is continuous to the system board and power supply even when the power switch is turned off. To prevent damage to the unit, disconnect the power cord from the power source or the unit before beginning disassembly procedures.

2. Remove the access panel (Section 4.5).
3. Remove the front bezel (Section 4.6).
4. Slide the drivelock mechanism to unlock the drive ①.



5. While the drivelock is held in the unlatched position, remove the drive from the drive bay ②.
6. Remove the guide screws from the drive.

To install a new drive:

1. Install two guide screws on each side of the replacement drive.



Metric screws (M3) have a black finish while U.S. screws (#6) have a silver finish. CD and DVD drives use black metric screws.

2. Ensure that the guide screw lines up with the guide slots, then gently slide the drive into the drive bay until it snaps into place.
3. Connect the power and signal cables to the back of the drive.
4. Remove the bezel blank from the subpanel, if necessary (Section 4.8).
5. Reinstall the subpanel and the front bezel.

The system automatically recognizes hard drives sold by Compaq (or any other plug and play hard drive) and will automatically reconfigure the computer. If you installed a third-party hard drive, or one that is not a plug and play device, you must run Computer Setup to reconfigure the computer.

4.10.3 Removing an External 3.5-Inch Drive

If you are installing a second 3.5-inch diskette drive into 5.25-inch bays #1 or 2 for the first time, you must use a special adapter bracket.

If you are installing a 3.5-inch diskette drive into 5.25-inch bay #3, you must use a special adapter bracket.

If installing a second ATA hard drive on the primary controller, you must use an 80-conductor ATA cable for optimal performance.

1. Prepare the computer for disassembly (Section 4.2).



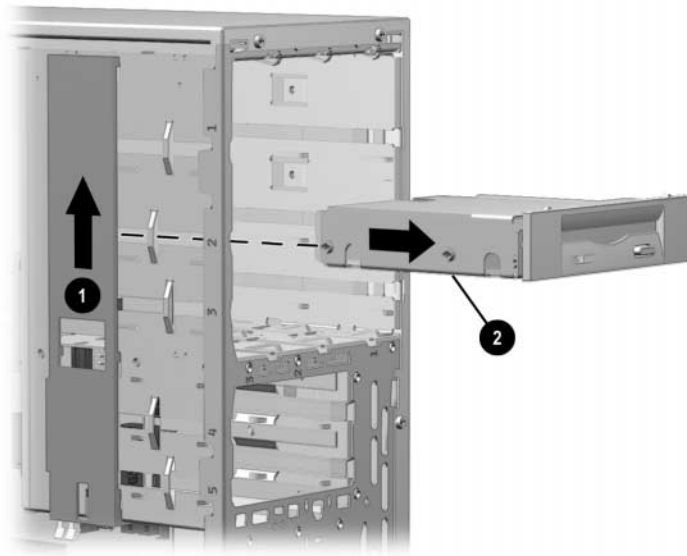
WARNING: Power is continuous to the system board and power supply even when the power switch is turned off. To prevent damage to the unit, disconnect the power cord from the power source or the unit before beginning disassembly procedures.

2. Remove the access panel (Section 4.5).
3. Remove the front bezel (Section 4.6).



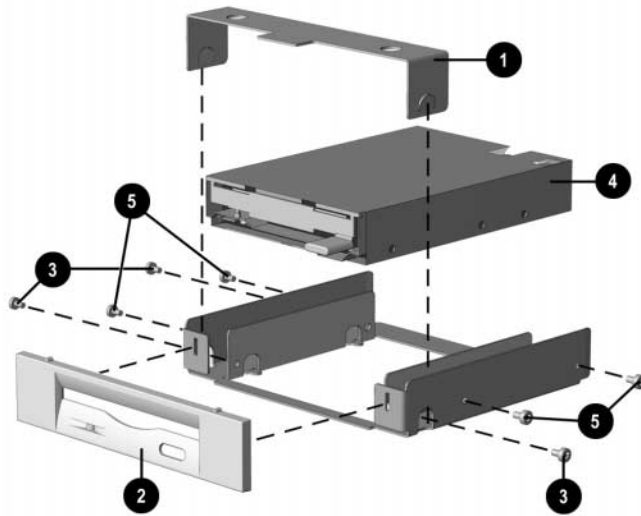
The primary diskette drive is always installed in drive bay 3.

4. Slide the drivelock mechanism to unlock the drive ❶.



5. While the drivelock is held in the unlatched position, remove the drive from the drive bay ❷.

6. Remove the bracket brace ❶ from the top of the drive adapter by squeezing inward on both sides, then rotating the brace up and out.
7. Remove the drive bezel ❷.
8. Remove the three screws ❸ that secure the drive ❹ to the drive adapter.
9. Lift the drive out of the drive adapter.
10. Remove the guide screws from the drive ❺.



To replace the drive, reverse the previous procedures.



The primary 3.5-inch diskette drive should only be installed into bay 3. Bay 3 is the bottom bay in the minitower.

When replacing the drive, use the existing screws.

Metric screws (M3) have a black finish while U.S. screws (#6) have a silver finish.

Diskette drives use black metric screws. The drive adapters use silver U.S. screws.



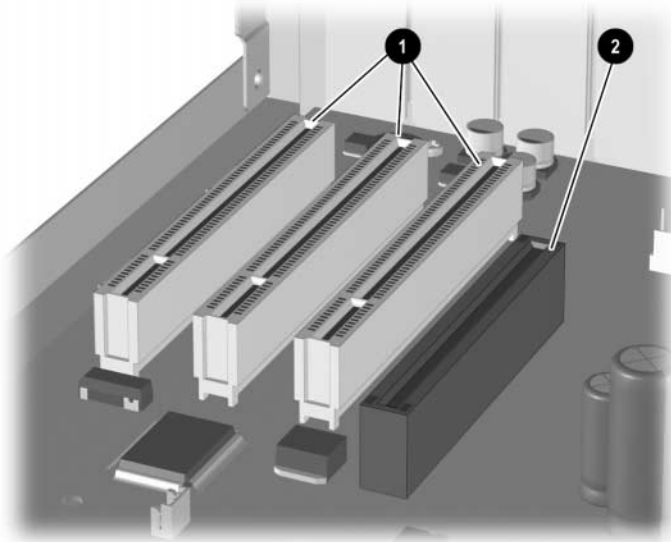
CAUTION: When servicing the computer, ensure that cables are placed in their proper locations during the reassembly process. Improper cable placement can damage the computer.



CAUTION: Use only 3/16-inch or 5-mm long screws as guide screws. Longer screws can damage the internal components of the drive.

4.11 Expansion Boards

4.11.1 Expansion Board Slots



- ❶ PCI expansion slots
- ❷ AGP graphics slot

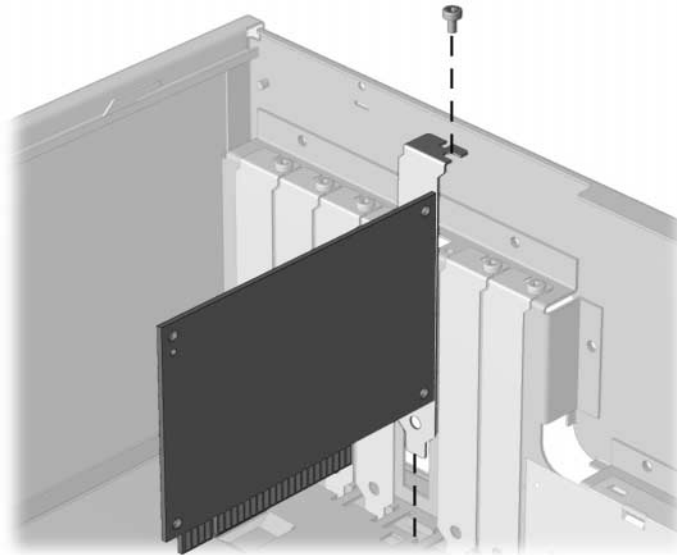
4.11.2 Removing a PCI Expansion Board

1. Prepare the computer for disassembly (Section 4.2).



WARNING: Power is continuous to the system board and power supply even when the power switch is turned off. To prevent damage to the unit, disconnect the power cord from the power source or the unit before beginning disassembly procedures.

2. Lay the computer down on its large base for greater stability.
3. Remove the access panel (Section 4.5).
4. Disconnect any cables from the expansion board, noting their location for reinstallation.
5. Remove the expansion board retaining screw.
6. Hold the board at each end and carefully rock it back and forth while pulling upward until the connectors pull free from the slot. Be sure not to scrape the card against other components



7. If not installing another expansion board in the slot, then close off the open slot by installing an expansion slot cover with a screw.

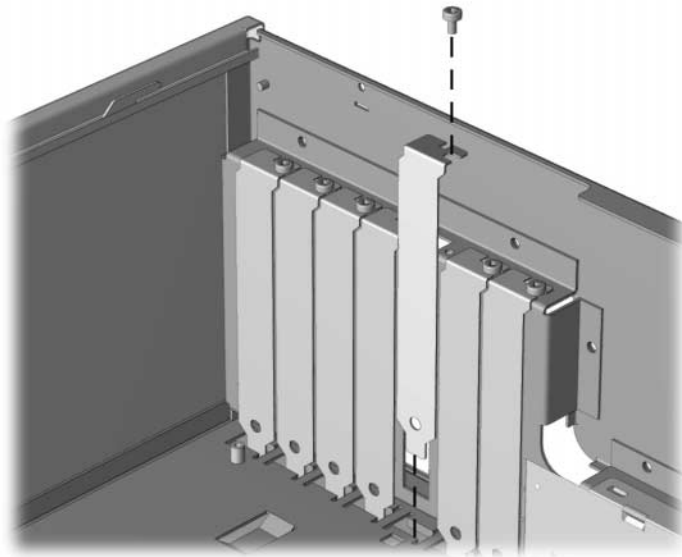
4.11.3 Installing a PCI Expansion Board

1. Prepare the computer for disassembly (Section 4.2).

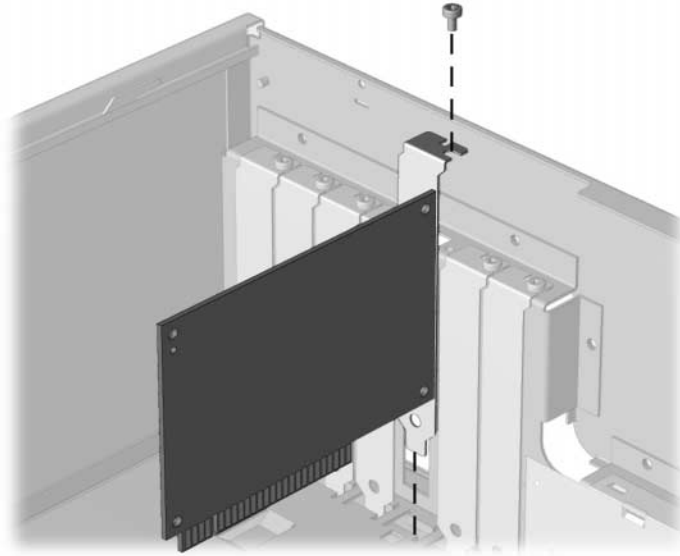


WARNING: Power is continuous to the system board and power supply even when the power switch is turned off. To prevent damage to the unit, disconnect the power cord from the power source or the unit before beginning disassembly procedures.

2. Lay the computer down on its large base for greater stability.
3. Remove the access panel (Section 4.5).
4. If you are installing an expansion board for the first time, remove the expansion slot cover.



5. Hold the board at each end and carefully rock it back and forth while pushing downward, until the connectors fit completely and firmly into the expansion slot.



6. Secure the board to the chassis with the retaining screw.
7. Attach any cables that came with the board.



If installing a NIC board, attach the WOL power cable to connector P9 on the system board, if applicable.

8. Reassemble the computer.

The computer should automatically recognize the added plug and play board.

4.12 System Memory

The computer comes with synchronous dynamic random access memory (SDRAM) dual inline memory modules (DIMMs). The Intel 815 chipset comes with at least 64 MB of SDRAM DIMMS, upgradeable to 512 MB.

DIMMs

The memory sockets on the Intel 815 chipset-based system board can be populated with industry-standard DIMMs. These memory module slots are populated with at least one preinstalled memory module. To achieve the maximum memory support, you may be required to replace the preinstalled DIMM with a higher capacity DIMM.

For proper system operation, the DIMMs must be industry-standard 168-pin, unbuffered PC100- or PC133-compliant SDRAM DIMMs, depending on the model. The SDRAM DIMMs must support CAS Latency 2 or 3 (CL = 2 or CL = 3). They must also contain the mandatory Joint Electronic Device Engineering Council (JEDEC) Serial Presence Detect (SPD) information. DIMMs constructed with x4 SDRAM (16 ICs per side) are not supported; the system will not start using unsupported DIMMs.

The Intel 815 chipset supports both PC100 and PC133 SDRAM DIMMs. PC133 DIMMs should be used for optimal performance. If both PC100 and PC133 SDRAM DIMMs are installed in a computer, the system memory will run at the lower 100Mhz speed. Some configurations of PC133 SDRAMs may run at 100Mhz, instead of 133Mhz.

Memory Module Installation



CAUTION: Your memory module sockets have gold metal contacts. When upgrading your memory, it is important to use memory modules with gold metal contacts to prevent corrosion and/or oxidation resulting from having incompatible metals in contact with each other.



CAUTION: Static electricity can damage the electronic components of the computer or optional cards. Before beginning these procedures, ensure that you are discharged of static electricity by briefly touching a grounded metal object. Refer to Appendix F, "Electrostatic Discharge," for more information.



CAUTION: When handling a memory module, be careful not to touch any of the contacts. Doing so may damage the module.

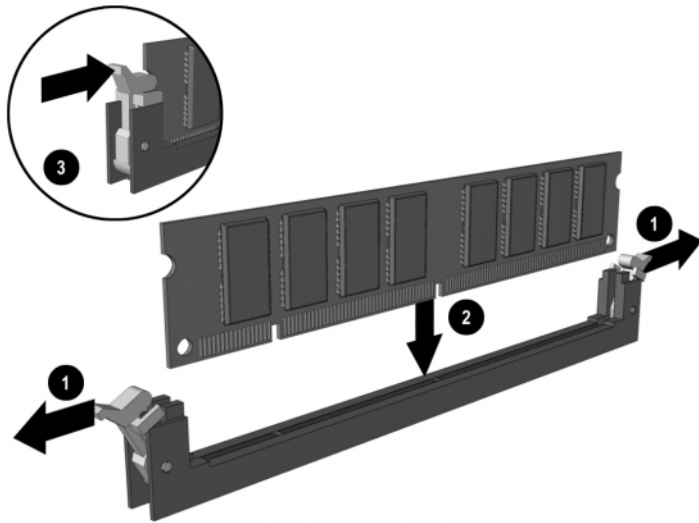
To install a memory module, complete the following steps:

1. Prepare the computer for disassembly (Section 4.2).



WARNING: Power is continuous to the system board and power supply even when the power switch is turned off. To prevent damage to the unit, disconnect the power cord from the power source or the unit before beginning disassembly procedures.

2. Remove the access panel (Section 4.5).
3. Open both latches of the memory socket **1**, and insert the memory module into the socket **2**.
4. A memory module can be installed in only one way. Match the notch on the module with the tab on the memory socket. Push the module down into the socket, ensuring the module is securely seated. Close both latches **3**.



5. Repeat step 4 for any additional modules you want to install.
6. Reassemble the computer.
7. Turn on the computer.



When a memory module has been removed, moved, or added, Memory Change Alerts, a feature of Intelligent Manageability, alerts the system administrator and end user. The system automatically recognizes the added memory.

4.13 Graphics Cards

The AGP expansion slot may come with a retention mechanism installed around it to hold the graphics cards securely in place. There are two different types of retention mechanisms that may be installed around the AGP expansion slot.

4.13.1 Graphics Performance Accelerator (GPA)/AGP Inline Memory Module (AIMM) Card with a Type I Retention Mechanism

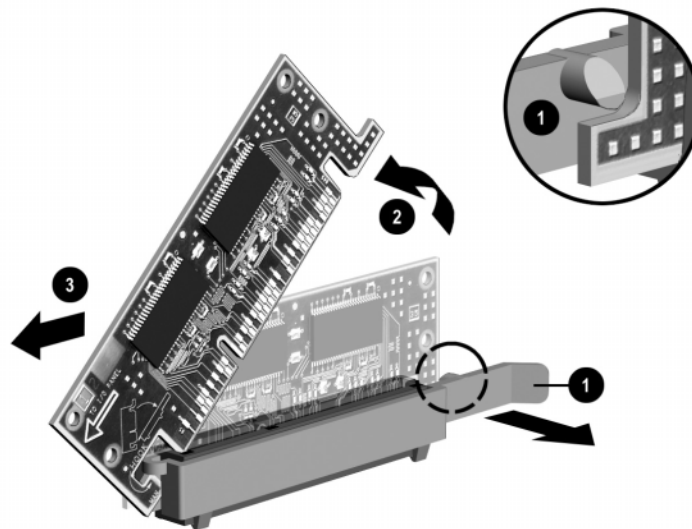
Removing a GPA/AIMM Card

1. Prepare the computer for disassembly (Section 4.2).



WARNING: Power is continuous to the system board and power supply even when the power switch is turned off. To prevent damage to the unit, disconnect the power cord from the power source or the unit before beginning disassembly procedures.

2. Lay the computer down on its large base for greater stability.
3. Remove the access panel (Section 4.5).
4. Pull the arm on the right side of the retention mechanism ❶.
5. At the same time, rotate the front of the GPA/AIMM card up until it is at a 45 degree angle ❷.
6. Remove the card from the expansion slot ❸.

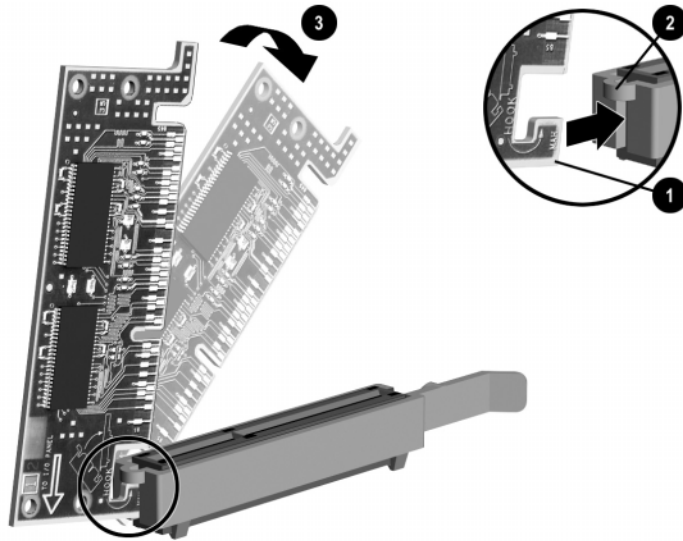


Installing a GPA/AIMM Card



WARNING: Power is continuous to the system board and power supply even when the power switch is turned off. To prevent damage to the unit, disconnect the power cord from the power source or the unit before beginning disassembly procedures.

1. Prepare the computer for disassembly (Section 4.2).
2. Lay the computer down on its large base for greater stability.
3. Remove the access panel (Section 4.5).
4. Insert the hook **1** on the left side of the GPA/AIMM card under the loop **2** on the left side of the retention mechanism.
5. Rotate the right side of the card down until it is at a 45 degree angle **3**.

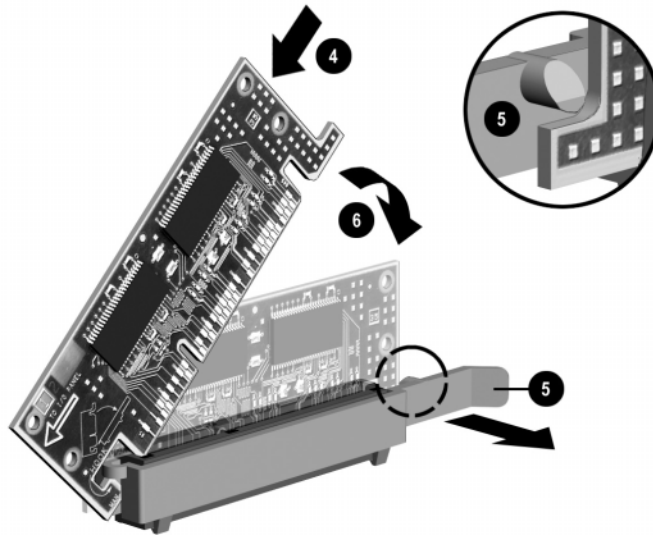


6. With the GPA/AIMM card at a 45 degree angle, slide the card toward the back of the expansion slot ④ until the fingers on the bottom of the card line up properly with the connectors in the expansion slot.



CAUTION: The fingers on the bottom of the GPA/AIMM card must be properly aligned with the expansion slot during installation. Misalignment may result in damage to the card or the AGP connector.

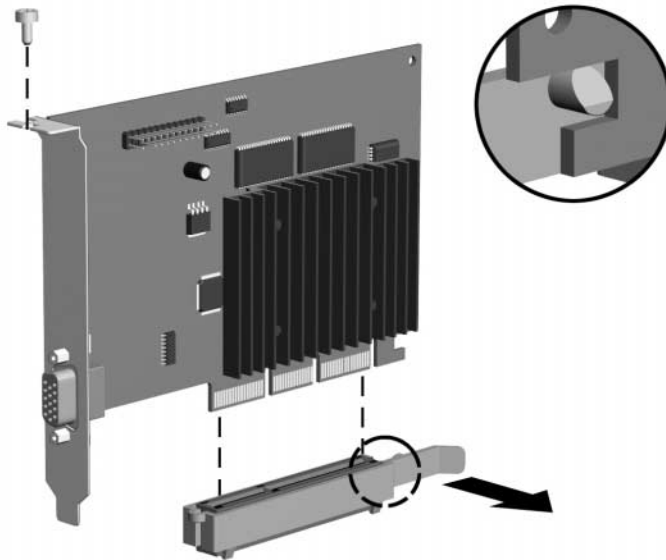
7. While pulling the arm on the right side of the retention mechanism ⑤, rotate the card down into the expansion slot until seated ⑥.



4.13.2 AGP Card with a Type I Retention Mechanism

Removing an AGP Card

1. Prepare the computer for disassembly (Section 4.2).
2. Lay the computer down on its large base for greater stability.
3. Remove the access panel (Section 4.5).
4. Remove the screw at the top of the expansion slot.
5. Pull the arm on the right side of the retention mechanism.
6. Pull the card straight up to remove it from the expansion slot.

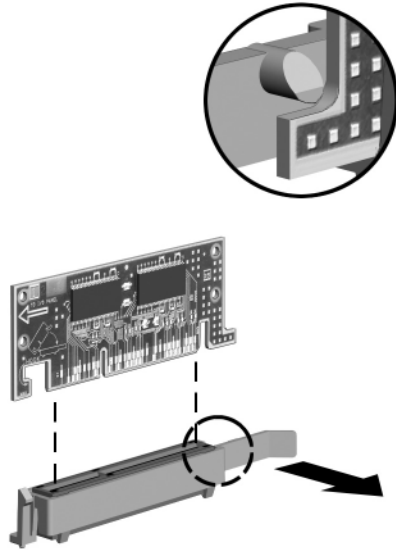


To install the graphics card, reverse the above procedures.

4.13.3 GPA/AIMM Card with a Type 2 Retention Mechanism

Removing a GPA/AIMM Card

1. Prepare the computer for disassembly (Section 4.2).
2. Lay the computer down on its large base for greater stability.
3. Remove the access panel (Section 4.5).
4. Pull the arm on the right side of the retention mechanism.
5. Pull the card straight up to remove it from the expansion slot.

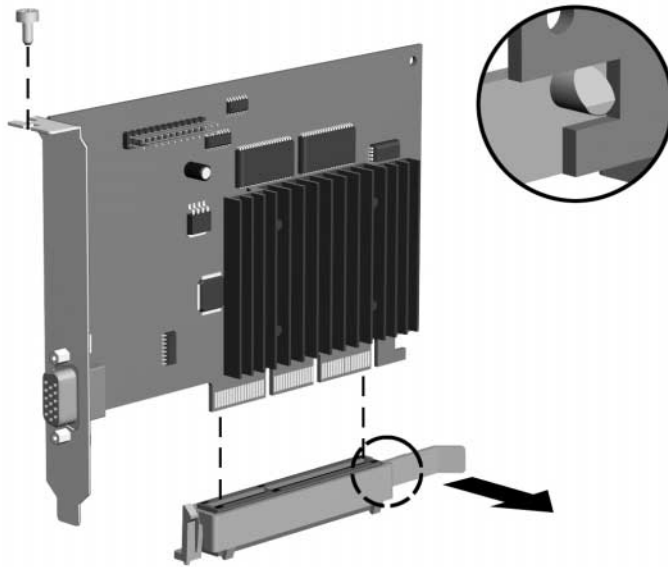


To install the graphics card, reverse the above procedures.

4.13.4 AGP Card with a Type 2 Retention Mechanism

Removing an AGP Card

1. Prepare the computer for disassembly (Section 4.2).
2. Lay the computer down on its large base for greater stability.
3. Remove the access panel (Section 4.5).
4. Remove the screw at the top of the expansion slot.
5. Pull the arm on the right side of the retention mechanism.
6. Pull the card straight up to remove it from the expansion slot.

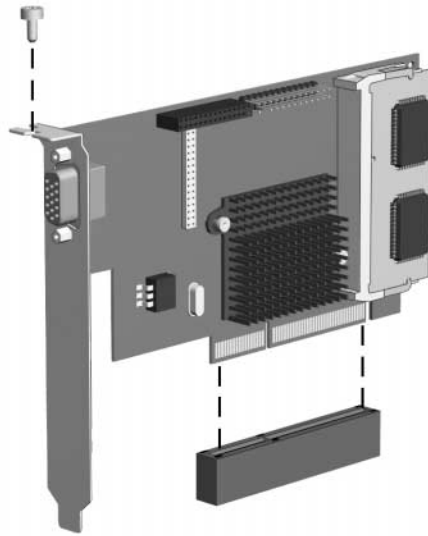


To install the graphics card, reverse the above procedures.

4.13.5 Standard AGP Expansion Card

Removing an AGP Card

1. Prepare the computer for disassembly (Section 4.2).
2. Lay the computer down on its large base for greater stability.
3. Remove the access panel (Section 4.5).
4. Remove the screw at the top of the expansion slot.
5. Remove the AGP graphics board as you would any PCI expansion board (Section 4.11.2).



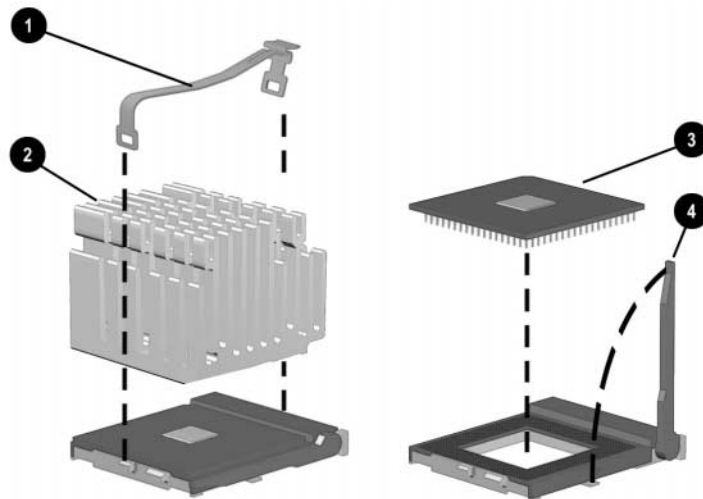
4.14 Processor

1. Prepare the computer for disassembly (Section 4.2).



WARNING: Power is continuous to the system board and power supply even when the power switch is turned off. To prevent damage to the unit, disconnect the power cord from the power source or the unit before beginning disassembly procedures.

2. Remove the computer cover (Section 4.3).
3. If there is a fansink on the processor, unplug the fan cable from the system board.
4. Remove the heatsink retaining clip ❶ by pressing down on the clip's extended tab until it releases from the safety catch.
5. Lift the heatsink ❷ off the processor.
6. Release the processor ❸ from the socket by pulling the handle on the ZIF socket out and upward ❹.
7. Lift the processor out of the socket.






WARNING: Removing the heatsink from the processor destroys the integrity of the thermal interface pad between the two. Whenever the heatsink is removed, the thermal interface pad must be removed and a new one installed in its place.

Before installing a fansink, prepare for its installation by doing one of the following:

- New heatsink: if the heatsink has a thermal interface attached to its bottom, peel off the protective paper before installing the heatsink, if necessary.
- Reinstalled heatsink: Note where the thermal interface is located on the heatsink. Carefully remove the thermal interface pad and all residue from the heatsink surface. If any thermal interface remains on the die of the processor, scrape it off with your fingernail. A Q-Tip dipped in alcohol can be used to clean both surfaces. Add thermal interface pad to the bottom of the heatsink before reinstalling the original heatsink to insure an efficient thermal interface. Use Compaq part number 210397-001 thermal interface pad.



CAUTION: Thermal interface heat transmission is reduced if residue remains on the heatsink or processor, or the heatsink thermal interface surface is scratched. This could lead to the processor running at a higher than normal temperature, fan turning at a higher than normal speed, and possible loss of data if processor shuts down from overheating.

-  Ensure that the pins on the processor are properly aligned before inserting the processor in the ZIF socket. Two corners of the processor will not have an outermost pin.
-  All units with 866 MHz and faster processors require an active fansink. When installing the fan, make sure it is positioned so it blows down on the processor.
-  All units with 866 MHz and faster processors require use of a chassis fan (Section 4.15).

4.15 System Board



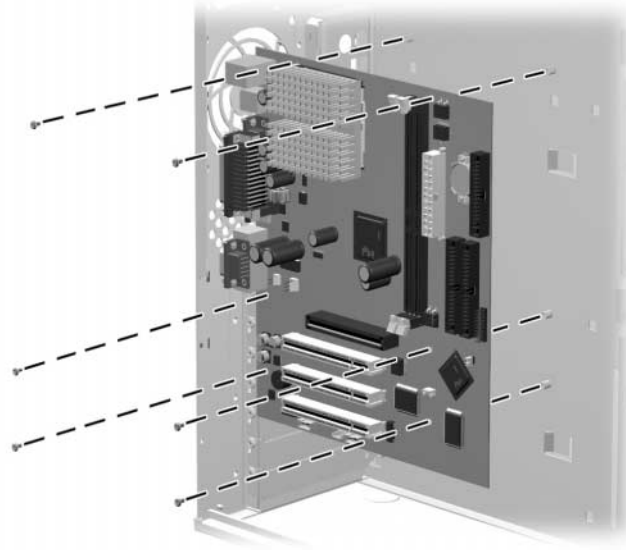
More information on the system board, including troubleshooting criteria, can be found in the Compaq Quick Troubleshooting Guide (part number 153837-001) and the Compaq Service Reference Guide (part number 152611-001).

1. Prepare the computer for disassembly (Section 4.2).



WARNING: Power is continuous to the system board and power supply even when the power switch is turned off. To prevent damage to the unit, disconnect the power cord from the power source or the unit before beginning disassembly procedures.

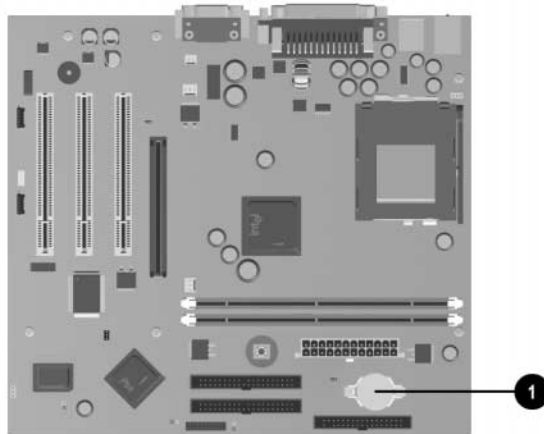
2. Remove the access panel (Section 4.5).
3. Remove all expansion boards (Section 4.11).
4. Disconnect any cables that are attached to the system board, noting their location for reinstallation.
5. Remove the DIMMs (optional) (Section 4.12).
6. Remove the graphics card (Section 4.13).
7. Remove the six retaining screws that secure the system board to the chassis.
8. Slide the board about ½ inch toward the front of the chassis to disengage the I/O panel, then lift it up and out of the chassis.



To install a new system board, reverse the above procedures.

4.16 Battery

1. Prepare the computer for disassembly (Section 4.2).
2. Lay the computer down on its large base for greater stability.
3. Remove the access panel (Section 4.5).
4. Locate the battery on the system board. If you have expansion boards installed, you may need to remove them to gain access to the battery (Section 4.11.2).
5. Lift the battery out of the holder.



6. Slide the replacement battery into position with the positive side up. The battery holder automatically secures the battery in the proper position.
7. If you removed expansion boards, reinstall them now.
8. Replace the computer access panel.
9. Reassemble the computer.
10. Reconnect the AC power cord and turn on the computer.
11. Reset the date and time, your passwords, and any special system setups, using Compaq Computer Setup.



WARNING: This computer contains a lithium battery. There is a risk of fire and chemical burn if the battery pack is handled improperly. Do not disassemble, crush, puncture, short external contacts, dispose in water or fire, or expose it to temperatures higher than 60°C (140°F).



In North America, dispose of nickel metal hydride or lithium batteries by taking advantage of the Compaq battery recycling program. You will be provided with a postage-paid battery pack mailer preaddressed to a reclamation facility where the metals are recycled. Call the telephone number listed for your location in the *Contacting Customer Support* guide for more information.

In Europe, do not dispose of batteries with general household waste. Dispose of or recycle them by using the public collection system or returning them to Compaq, your authorized Compaq partners, or their agents.

4.17 Chassis Fan Assembly

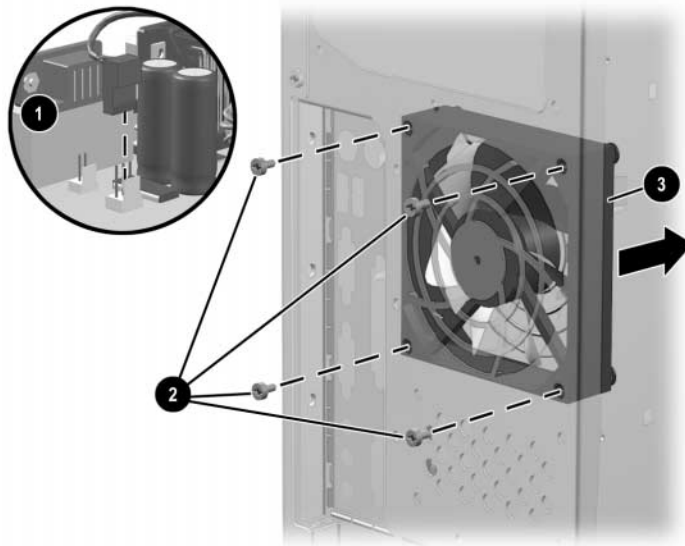
 If the unit has a 866 - 933MHz processor, it requires an external chassis fan.

1. Prepare the computer for disassembly (Section 4.2).




WARNING: Power is continuous to the system board and power supply even when the power switch is turned off. To prevent damage to the unit, disconnect the power cord from the power source or the unit before beginning disassembly procedures.

2. Remove the access panel (Section 4.5).
3. Disconnect the fan power cable ❶ from the system board.
4. Remove the four screws ❷ that secure the fan to the chassis.
5. Remove the fan from the chassis ❸.



To install the fan assembly, reverse the above procedure.

 This fan is used in units with 866-933 MHz processors.

4.18 Power Supply

1. Prepare the computer for disassembly (Section 4.2).



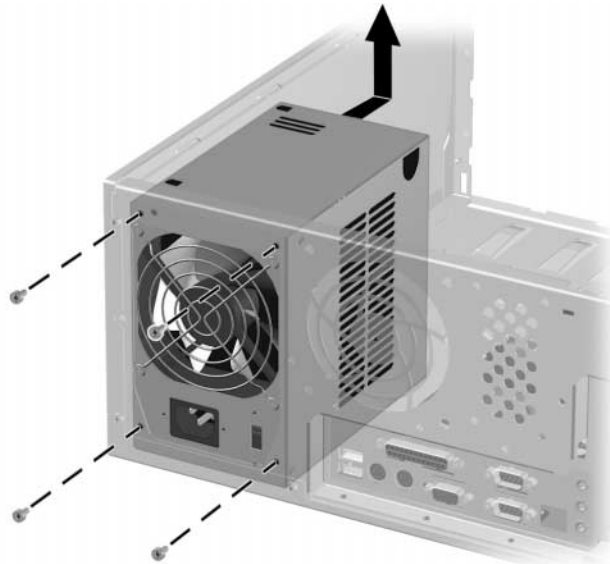
WARNING: Power is continuous to the system board and power supply even when the power switch is turned off. To prevent damage to the unit, disconnect the power cord from the power source or the unit before beginning disassembly procedures.

2. Lay the computer down on its large base for greater stability.
3. Remove the access panel (Section 4.5).
4. Disconnect all power cables from the mass storage devices and the system board.



Power connectors are keyed for correct installation. Note the orientation of each cable connector and the routing of the cables to facilitate reassembly.

5. Remove the four screws that secure the power supply to the back of the chassis.
6. Slide the power supply toward the front of the computer, then lift up to remove it from the chassis.



To replace the power supply, reverse the above procedure.

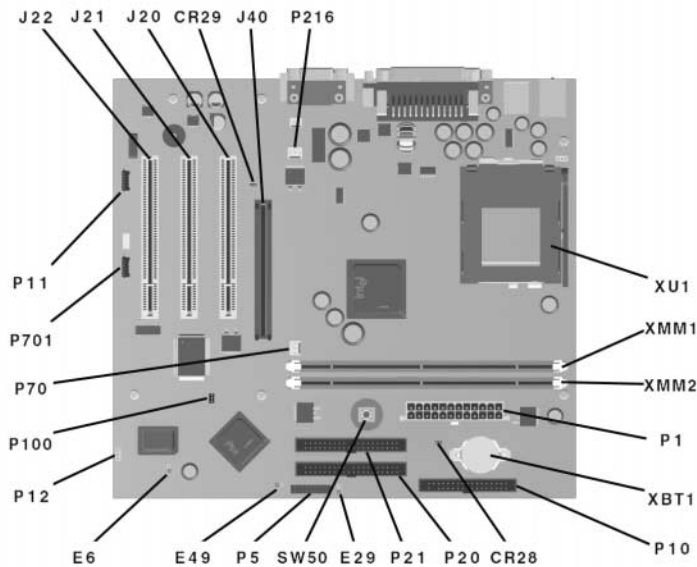
chapter 5

CONNECTORS AND JUMPERS

This chapter provides connector, jumper, and switch information for system board jumpers, system I/O board connectors, and hard drives for the Desktop Model.

5.1 System Board

5.1.1 Connectors and Jumpers



CR28	3.3V Aux LED	P12	SOS Connector
CR29	3.3V Main LED (NI)	P20	Primary IDE Connector
E6	Firmware Hub Top Block Lock (Installed=Bootblock unprotected, Removed=Bootblock protected)	P21	Secondary IDE Connector
E29	SCSI LED Cable Connector	P70	CPU Fan Connector
E49	Clear Password Header (Installed = Enabled, Removed = Cleared)	P100	ITP Connector (NI)
J20-22	PCI Slots	P701	CD-ROM Audio
J40	AGP/AIMM Connector	P216	Chassis Fan Connector
P1	Power Supply Connector	SW50	Clear CMOS
P5	Power Button, Front Panel LED Cable Connector	XBT1	CMOS Battery
P10	Diskette Drive Connector	XMM1-2	DIMM Memory Slots
P11	Aux Audio Connector	XU1	Primary Processor Socket

5.1.2 Clearing CMOS

The computer's configuration (CMOS) may occasionally be corrupted. If it does, it is necessary to clear the CMOS memory using push button switch SW50.

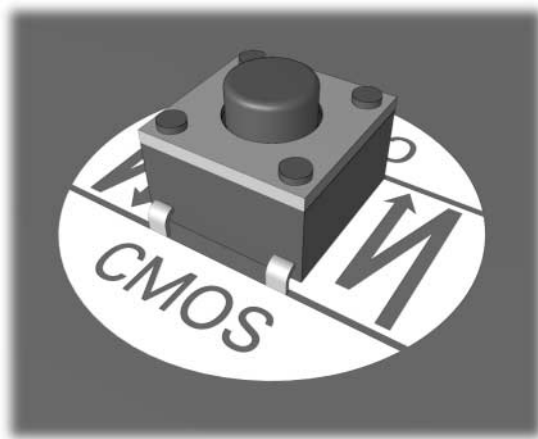
To clear and reset the configuration, perform the following procedure:

1. Prepare the computer for disassembly (Section 4.2).



CAUTION: The power cord must be disconnected from the power source before pushing the Clear CMOS Button (NOTE: All LEDs on the board should be OFF). Failure to do so may damage the system board.

2. Remove the access panel (Section 4.5).
3. Press the CMOS button located on the system board and keep it depressed for 5 seconds.



4. Replace the access panel.
5. Turn the computer on.
6. Run F10 Computer Setup to reconfigure the system.

5.1.3 Disabling or Clearing the Power-On and Setup Passwords

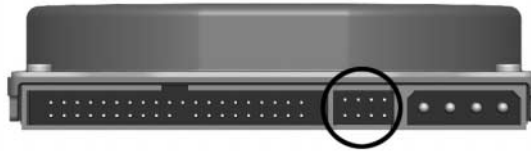
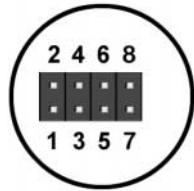
1. Turn off the computer and any external devices, and disconnect the power cord from the power outlet.
2. Disconnect the keyboard, monitor, and any other external devices connected to the computer.
3. Remove the computer cover.
4. Locate the header and jumper labeled E49.
5. Remove the jumper from pins 1 and 2. Place the jumper over pin 2 only, in order to avoid losing it.
6. Replace the computer cover.
7. Reconnect the external equipment.
8. Plug in the computer and turn on power. Allow the operating system to start. This clears the current passwords and disables the password features.
9. To re-enable the password features, repeat steps 1-4, then replace the jumper on pins 1 and 2.
10. Repeat steps 6-8, then establish new passwords.

Refer to the Computer Setup (F10 Setup) instructions to establish new passwords.

5.2 Hard Drive Jumper Settings

5.2.1 Seagate, Quantum, and Western Digital

The drawings and tables below apply to a number of different size drives in the following paragraphs.



Seagate, Quantum, and Western Digital Ultra ATA Hard Drive Jumper Settings

Definition	Seagate	Quantum	Western Digital
Single	7 - 8	1 - 2 and 3 - 5	3 - 5
Primary	5 - 6 and 7 - 8	1 - 2 and 3 - 5	5 - 6
Secondary	No connection	3 - 5	3 - 4
Cable Select	5 - 6	2 - 4 and 3 - 5	1 - 2

5.2.2 Maxtor



Maxtor Ultra ATA Hard Drive Jumper Settings

Definition	J50	J48	J46	J44	J42
Single	J				
Primary (in a dual-drive system)	J				
Secondary	O				
Cable Select					
Disabled*		O			
Enabled		J			
4092 Cylinder Limitation					
Disabled*			O		
Enabled			J		
Factory Reserved				O	
Factory Reserved					O

* = Default setting
 J = Jumper
 O = No jumper

chapter 6

SPECIFICATIONS

6.1 Specifications

6.1.1 System

Dimensions

Height	17.65 in	44.83 cm
Width	6.60 in	16.76 cm
Depth	16.80 in	42.67 cm

Weight (approximate, depending on configuration) 26 lb 11.8 kg

Power Supply, 200 Watt

Operating Voltage Range	90-132 Vac	180-264 Vac
Rated Voltage Range	120-127 Vac	200-240 Vac
Rated Line Frequency	47-63 Hz	47-63 Hz
Rated Input Current (Maximum)	5.5A	3A
Maximum Rated Power	200W	200W

Environmental Requirements:

Temperature

Operating	50 to 95°F	10 to 35°C
Shipping	-4° to 140°F	-20° to 60°C

Humidity (noncondensing)

Operating	20% to 80%	20% to 80%
Nonoperating	10% to 90%	10% to 90%

Maximum Altitude (unpressurized)

Operating	10,000 ft	3048 m
Nonoperating	30,000 ft	9144 m

6.1.2 System Interrupts

Hardware IRQ	System Function
0	Timer Interrupt
1	Keyboard
2	Interrupt Controller Cascade
3	Serial Port (COM B)
4	Serial Port (COM A)
5	Audio
6	Diskette Drive
7	Parallel Port (LPT 1)
8	Real-Time Clock
9	Available for PCI
10	Available for PCI
11	Available for PCI
12	Mouse
13	Coprocessor
14	Primary IDE Controller
15	Secondary IDE Controller

6.1.3 System DMA

Hardware DMA	System Function
0	Unused
1	Unused
2	Diskette Drive
3	ECP Parallel Port LPT1 (Default; Alternate = DMA 0)
4	DMA Controller Cascading
5	Unused
6	Unused
7	Unused

6.1.4 ICH Fixed I/O Registers

Port	Register Name
00h, 02h, 04h, 06h	Channel 0, 1, 2, 3 DMA Base & Current Address Register
C0h, C4h, C8h, CCh	Channel 4, 5, 6, 7 DMA Base & Current Address Register
01h, 03h, 05h, 07h	Channel 0, 1, 2, 3 DMA Base & Current Count Register
C2h, C6h, Cah, CEh	Channel 4, 5, 6, 7 DMA Base & Current Count Register
10h-1Fh	Aliased at 00h-0Fh
20h	Master PIC ICW1 Init. Cmd Word 1 Register Master PIC OCW2 Op Ctrl Word 2 Register Master PIC OCW3 Op Ctrl Word 3 Register
21h	Master PIC ICW2 Init. Cmd Word 1 Register Master PIC ICW3 Init. Cmd Word 1 Register Master PIC ICW4 Init. Cmd Word 1 Register Master PIC OCW1 Op Ctrl Word 3 Register
24h-25h, 28-29h, 2Ch-2Dh, 30h-31h, 34h-35h, 38h-39h, 3Ch-3Dh	Aliased at 20h-21h
40h	Counter 0 Interval Time Status Byte Format Counter 0 Counter Access Port Register
41h	Counter 1 Interval Time Status Byte Format Counter 1 Counter Access Port Register
42h	Counter 2 Interval Time Status Byte Format Counter 2 Counter Access Port Register
43h	Timer Control Word Register Timer Control Word Register Read Back Counter Latch Command
50h-53h	Aliased at 40h-43h
61h	NMI Status and Control Register
70h	NMI Enable Register Real-Time Clock (Standard RAM) Index Register
71h	Real-Time Clock (Standard RAM) Target Register
72h	Extended RAM Index Register
73h	Extended RAM Target Register
74h-75h	Aliased at 70h-71h
76h-77h	Aliased at 72h-73h or 70h-71h
81h, 82h, 83h	Channel 2, 3, 1 DMA Memory Low Page Register
84h-86h, 88h	Reserved Page Registers
89h, 8Ah, 8Bh	Channel 6, 7, 5 DMA Memory Low Page Register
8Ch-8Eh	Reserved Page Registers
8Fh	Refresh Low Page Register
91h-9Fh (except 92h)	Aliased at 81h-8Fh
92h	Fast A20 and INIT Register

continued

ICH Fixed I/O Registers cont

Port	Register Name
CF9h	Reset Control Register
A0h	Slave PIC ICW1 Init. Cmd Word 1 Register Slave PIC OCW2 Op Ctrl Word 2 Register Slave PIC OCW3 Op Ctrl Word 3 Register
A1	Slave PIC ICW2 Init. Cmd Word 2 Register Slave PIC ICW3 Init. Cmd Word 3 Register Slave PIC ICW4 Init. Cmd Word 4 Register Slave PIC OCW1 Op Ctrl Word 1 Register
A4h-A5h, A8h-A8h, ACh-ADh, B0h-B1h, B4h-B5h, B8h-B9h, BCh-BDh	Aliased at A0h-A1h
B2h	Advanced Power Management Control Port Register
B3h	Advanced Power Management Status Port Register
C0h, C4h, C8h, CCh	Channel 4, 5, 6, 7 DMA Base and Current Address Register
C1h	Aliased at C0h
C5h	Aliased at C4h
C9h	Aliased at C8h
CDh	Aliased at CCh
C2h, C6h, CAh, CEh	Channel 4, 5, 6, 7 DMA Base and Current Count Register
C3h	Aliased at C2h
C7h	Aliased at C6h
CBh	Aliased at CAh
CFh	Aliased at Ceh
D0h	Channel 4-7 DMA Command Register Channel 4-7 DMA Status Register
D1h	Aliased at D0h
D4h	Channel 4-7 DMA Write Single Mask Register
D5h	Aliased at D4h
D6h	Channel 4-7 DMA Channel Mode Register
D7h	Aliased at D6h
D8h	Channel 4-7 DMA Clear Byte Pointer Register
D9h	Aliased at D8h
DAh	Channel 4-7 DMA Master Clear Register
DBh	Aliased at DAh
DCh	Channel 4-7 DMA Clear Mask Register
DEh	Aliased at DCh
DEh	Channel 4-7 DMA Write All Mask Register
DFh	Aliased at DEh
F0h	Coprocessor Error Register
170h-177h	PIO Mode Command Block Offset for Secondary Drive

continued

ICH Fixed I/O Registers cont

Port	Register Name
1F0h-1F7h	PIO Mode Command Block Offset for Primary Drive
376h	PIO Mode Control Block Offset for Secondary Drive
3F6h	PIO Mode Control Block Offset for Primary Drive
4D0h	Master PIC Edge/Level Triggered Register
3F6h	PIO Mode Control Block Offset for Primary Drive
4D0h	Master PIC Edge/Level Triggered Register
4D1h	Slave PIC Edge/Level Triggered Register
400-47F	Super I/O
F800-F87F	Reserved (power management)
FA00-FA3F	Reserved (GPIO management)
FC00-FC0F	Reserved (SMBUS controller)

NOTE: When the POS_DEC_EN bit is set, additional I/O ports get positively decoded by the ICH.

6.1.5 System Memory Map

Size	Memory Address	System Function
512 KB	FFFFFFFFh to FFF80000	System ROM
3839 MB	FFFBFFFFh to 10000000h	PCI Memory Expansion
511 MB	0FFFFFFFh to 00100000h	HOST or PCI Memory Expansion
128KB	00FFFFFFh to 000E0000h	System ROM
96 KB	00DFFFFh to 000C8000h	PCI Option ROMs
32 KB	000C7FFFh to 000C0000h	Video ROM
128 KB	000BFFFFh to 000A0000h	Video RAM
640 KB	0009FFFFh to 00000000h	Base Memory

6.2 Drives

6.2.1 1.44-MB Diskette Drive

Size and Capacity	
Size (in)	3.5
High Density (MB)	1.44
Low Density (KB)	720
Compaq Spare Part Number	210795-001
Light	Green
Drive Rotation (rpm)	300
Height	One-third (1 inch)
Bytes per Sector	512
Sectors per Track (high/low density)	18/9
Tracks per Side (high/low density)	80/80
Read/Write Heads	2
Cylinders (high/low density)	80/80
Average Seek Time (ms)	
Track-to-Track (high/low)	3/6
Average (high/low)	94/173
Settling Seek Time	15
Latency Average (ms)	100

6.2.2 Ultra ATA Hard Drives

	10.0 GB	15.0 GB
Formatted Capacity		
Physical (MB)	10242	15364
Logical (MB)	10242	15364
Compaq Spare Part Number	203139-001	202903-001
Logical Block Allocation		
Total Sectors	16514064	16514064
User Addressable Sectors	19541088	29336832
Sectors per Track		
Physical	648-396	648-396
Logical	63	63
Data Heads/Cylinder		
Physical	2	3
Logical	16	16
Data Bytes/Sector	512	512
Sector Interleave	1:1	1:1
ECC Bytes	24	24
Encoding Method	24/26 EPRML	24/26 EPRML
Spin-Up Time (maximum)	15 seconds	15 seconds
Spin-Down Time (maximum)	15 seconds	15 seconds
Seek Times, Logical (Busy to Seek Complete)	<u>MAX</u> <u>TYP</u>	<u>MAX</u> <u>TYP</u>
Track-to-Track	4.75ms 2.1ms	4.75ms 2.1ms
Average (Read)	11.5ms 10.9ms	11.5ms 10.9ms
Full Stroke	27.0ms 25.0ms	27.0ms 25.0ms
Average Latency	5.56ms	5.56ms
Data Transfer Rate		
@Disk to Buffer	308 Mbits/s (max.)	308 Mbits/s (max.)
@Interface w/o IORDY	16.6 MB/s	16.6 MB/s
DMA	16.6 MB/s	16.6 MB/s
UDMA	66.6 MB/s	66.6 MB/s
RPM	5400+/-0.2%	5400+/-0.2%

6.2.3 CD-ROM Drives

	48X Max
Compaq Spare Part Number	187263-001
Data Buffer (ms)	16.6
Data Transfer Rate	150 KB/s Min (audio) CD: 3000-7200 KB/s
Access Time (ms)	
Random	<100
Full-Stroke Seek	<150
Cache Buffer	128 KB
Interface	ATAPI
Disk Formats Read	Photo-CD/Multisession CD-ROM Multi Read CD TEXT Audio CD CD-I CD-RW CD-R CD EXTRA CD-ROM XA
Disk	
Capacity	CD: 650 MB
Block Size	Mode 1 – 2048 bytes Mode 2 – 2340, 2336 bytes CD-DA – 2353 bytes CD-XA – 2328 bytes
Diameter	12 cm;8 cm
Thickness	1.2 mm
Track Pitch	1.6 um
Audio Output Level	
Line Out	0.7 V @ 47 K ohm
Headphone	0.6 V @ 32 ohm
Startup Time	<7 sec (typical); <30 sec with multisession
Operating Conditions	
Temperature	5 – 45 C
Humidity	10-80% relative humidity
Dimensions (mm) (HxWxD)	42.9x150.1x208
Weight (grams)	1200
MPEG Playback Graphics Solution Support	None

6.3 Compaq Keyboard

Compaq Easy Access

Dimensions

Height	1.4 in
Width	18.3 in
Depth	6.3 in

6.4 Scroll Mouse

Dimensions

Height	1.34 in	3.4 cm
Length	4.45 in	11.3 cm
Width	2.36 in	6.0 cm

Weight 4.59 oz 130 g

Base Resolution 400 dpi 15.8 dp

Tracking Speed 10 in/sec 25 cm/sec
(maximum)

Temperature

Operating	50°F to 104°F	10°C to 50°C
Non-operating	-22°F to 140°F	-30°C to 60°C

Lifetime

Mechanical	300 miles	483 km
Switch	1 million operations	1 million operations

Relative Humidity

Operating	10% to 90%	10% to 90%
Non-operating	20% to 80%	20% to 80%

6.5 Supported Graphics Resolutions

6.5.1 Intel 3D Graphics

Colors	256	65K	16.7M
640 x 480	85 Hz	85 Hz	85 Hz
800 x 600	85 Hz	85 Hz	85 Hz
1024 x 768	85 Hz	85 Hz	85 Hz
1152 x 864	85 Hz	85 Hz	85 Hz
1280 x 1024	85 Hz	85 Hz	85 Hz
1600 x 1200	85 Hz	85 Hz	85 Hz

6.5.2 nVIDIA M64 Pro

Mode	Color Depth (bits/pixel)	Refresh Rate (Hz)
640 x 480	8/16/32	60,72,75,85
800 x 600	8/16/32	60,72,75,85
1024 x 768	8/16/32	60,70,75,85
1152 x 864	8/16/32	60,70,72,75,85
1280 x 1024	8/16/32	60,70,72,75,85
1600 x 1200	8/16	60,70,72,75,85
1600 x 1200	32	60
1920 x 1080	8/16	60,70,72,75,85
1920 x 1080	32	60
1920 x 1200	8/16	60,70,72,75,85

Index

A

- access panel
 - removal and replacement, 4-5
- AGP card
 - spare part number, 2-3
- AGP retention mechanism, 4-22
- AIMM card
 - spare part number, 2-3

B

- battery
 - proper disposal, 4-32
 - removal and replacement, 4-32

C

- cable kit
 - spare part number, 2-2
- cable lock
 - removal and replacement, 4-4
- cable select feature, 4-11
- CD-ROM
 - specifications, 6-8
- CD-ROM drive
 - spare part number, 2-2
- cleaning
 - computer, 3-4
 - keyboard, 3-4
 - monitor, 3-4
 - mouse, 3-5
- clearing CMOS, 5-2
- clearing passwords, 5-3
- CMOS
 - clearing configuration, 5-2
- computer
 - cleaning, 3-4
- Computer Features
 - Rear Panel Connectors, 1-3
- configurations, drives, 4-10
- connectors and jumpers, 5-1

D

- DIMM
 - spare part number, 2-3
- DIMMs, 4-20
- disassembly chart, 4-1
- disassembly preparation, 4-2
- diskette drive
 - spare part number, 2-2
 - specifications, 6-6
- DMA settings and specifications, 6-2
- documentation
 - spare part number, 2-5
- drive configurations, 4-10
- drive positions, 1-4

E

- electrostatic discharge (ESD), 3-1
- ESD. *See* electrostatic discharge
- expansion boards
 - removal and replacement, 4-16
- external 3.5-inch drive
 - removal and replacement, 4-14
- external 5.25-inch drive
 - removal and replacement, 4-13

F

- fan assembly
 - removal and replacement, 4-33
- feet
 - removal and replacement, 4-3
- front bezel
 - removal and replacement, 4-6
 - spare part number, 2-1
- Front Panel Controls and LEDs, 1-2

G

- graphics
 - specifications, 6-10
- graphics cards
 - removal and replacement, 4-22
 - spare part number, 2-3
- grounding methods, 3-2

H

- hard drive
 - jumpers, 5-4
 - proper handling, 3-6
 - removal and replacement, 4-12
 - spare part number, 2-2
 - specifications, 6-7

I

- I/O Registers, 6-3
- INSPECT utility, 4-10
- IRQ settings, 6-2

J

- jumpers
 - hard drive, 5-4

K

- keyboard
 - cleaning, 3-4
- keyboards
 - spare part number, 2-4
 - specifications, 6-9

L

- line-out audio connector, 1-3

M

- memory
 - removal and replacement, 4-20
 - spare part number, 2-3
 - standard, 2-3
- memory map, 6-5
- microprocessor
 - spare part number, 2-3
- miscellaneous screw kit
 - spare part number, 2-4
- monitor
 - cleaning, 3-4
- mouse
 - cleaning, 3-5
 - spare part number, 2-5
 - specifications, 6-9

N

- Network Interface Card
 - spare part number, 2-3
- Nvidia graphics card
 - spare part number, 2-3

P

- passwords, 5-3
- power button
 - removal and replacement, 4-7
- power supply
 - fan, 3-5
 - removal and replacement, 4-34
 - spare part number, 2-1
- power switch
 - removal and replacement, 4-9
- power-on passwords, 5-3
- processor
 - removal and replacement, 4-29
 - spare part number, 2-3

R

- removal and replacement
 - access panel, 4-5
 - battery, 4-32
 - cable lock, 4-4
 - expansion boards, 4-16
 - external 3.5-inch drive, 4-14
 - external 5.25-inch drive, 4-13
 - fan assembly, 4-33
 - feet, 4-3
 - front bezel, 4-6
 - graphics cards, 4-22
 - hard drive, 4-12
 - memory, 4-20
 - power button, 4-7
 - power supply, 4-34
 - power switch, 4-9
 - processor, 4-29
 - subpanel and bezel blanks, 4-8
 - system board, 4-31
- required tools and software, 3-5
- retention mechanism, 4-22
- return kit
 - spare part number, 2-5

S

- screws
 - using correct, 3-5
- serial number location, 1-5
- service considerations, 3-5
- setup passwords, 5-3
- software
 - required, 3-5

- spare part number
 - AGP card, 2-3
 - AIMM card, 2-3
 - cable kit, 2-2
 - CD-ROM drive, 2-2
 - DIMM, 2-3
 - diskette drive, 2-2
 - documentation, 2-5
 - front bezel, 2-1
 - graphics cards, 2-3
 - hard drive, 2-2
 - keyboards, 2-4
 - memory, 2-3
 - miscellaneous screw kit, 2-4
 - mouse, 2-5
 - Network Interface Card, 2-3
 - Nvidia graphics card, 2-3
 - power supply, 2-1
 - processor, 2-3
 - return kit, 2-5
 - system board, 2-3
- specifications
 - CD-ROM, 6-8
 - diskette drive, 6-6
 - graphics, 6-10
 - hard drive, 6-7
 - keyboards, 6-9
 - mouse, 6-9
 - system, 6-1
- subpanel and bezel blanks
 - removal and replacement, 4-8
- system
 - specifications, 6-1
- system board
 - connector locations, 5-1
 - connectors and jumpers, 5-1
 - removal and replacement, 4-31
 - spare part number, 2-3
- system specifications
 - DMA, 6-2
 - I/O, 6-3
 - memory map, 6-5

T

- tools
 - required, 3-5

U

- Ultra ATA devices, 4-11

Free Manuals Download Website

<http://myh66.com>

<http://usermanuals.us>

<http://www.somanuals.com>

<http://www.4manuals.cc>

<http://www.manual-lib.com>

<http://www.404manual.com>

<http://www.luxmanual.com>

<http://aubethermostatmanual.com>

Golf course search by state

<http://golfingnear.com>

Email search by domain

<http://emailbydomain.com>

Auto manuals search

<http://auto.somanuals.com>

TV manuals search

<http://tv.somanuals.com>