

Compaq Evo D310 Microtower

Illustrated Parts Map

Compaq Evo Family of Personal Computers
Microtower Models



COMPAQ

© 2002, 2005 Hewlett-Packard Development Company, L.P.

Compaq, the Compaq logo, Evo, HP and the HP logo are trademarks of Hewlett-Packard Development Company, L.P.

Intel, Celeron, and Pentium are trademarks of Intel Corporation in the United States and other countries.

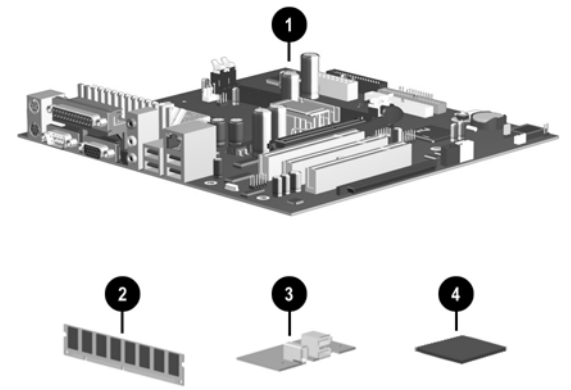
All other product names mentioned herein may be trademarks of their respective companies.

HP shall not be liable for technical or editorial errors or omissions contained herein. The information in this document is provided "as is" without warranty of any kind and is subject to change without notice. The warranties for HP products are set forth in the express limited warranty statements accompanying such products. **Nothing herein should be construed as constituting an additional warranty.**

December 2005

June 2002

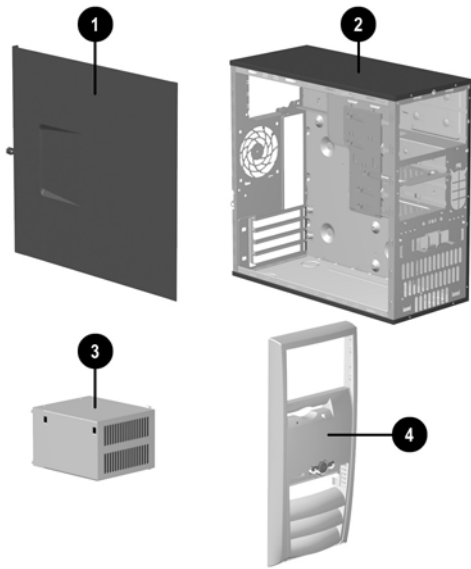
Document Part Number 292400-002



Standard and Optional Boards

1	System board for Intel processor, with thermal grease	283983-001
Memory Modules		
2	128 MB RAM, DDR	285648-001
*	256 MB RAM, DDR	285649-001
*	512 MB RAM, DDR	285650-001
Miscellaneous Boards		
3	Front audio/USB I/O board	284247-001
*	Lucent PCI Modem	239411-001
*	3COM NIC	253951-001
Intel Celeron Processors with thermal grease		
4	1.7 GHz	288691-001
*	1.8 GHz	288692-001
*	2.0 GHz	309578-001
Intel Pentium P4 Processors with thermal grease		
4	2.26 GHz/512K cache	288688-001
*	2.4 GHz/512K cache	288689-001
*	2.0 GHz/512K cache	273051-001
*	1.9 GHz/256K cache	255436-001
*	1.8 GHz/256K cache	255435-001
	1.7 GHz/256K cache	252919-001
Graphics Controllers		
*	nVIDIA NV11, 64 MB memory, with ATX bracket	279777-001
*	nVIDIA NV17, 64 MB memory, TV	267526-001
*	DVI ADD_graphics	279778-001
Other Cards		

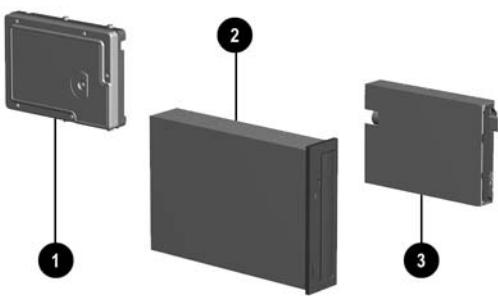
* Not shown



System Unit

1	Access panel	not spared
2	Chassis	not spared
3	Power supply, PFC, worldwide	277979-001
4	Front bezel assembly includes plain front bezel, 5 1/4" bezel blank, and bezel insert for EMEA and Blue Angel use only	299170-001
*	Front bezel assembly includes silver front bezel, 5 1/4" bezel blank, and bezel insert supporting 2 USB and 2 audio ports	299171-001

* Not shown



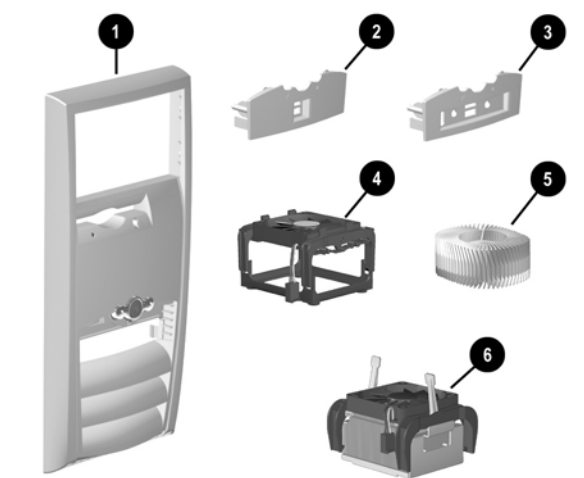
Cables

*	Front panel audio cable	255440-001
*	Front panel USB cable	289574-001
*	Audio cable for CD	149806-001
1	Diskette drive cable	257309-001
2	Hard drive/CD-ROM cable, 10", dual device	257047-001
*	Hard drive/CD-ROM cable, 14", dual device	257048-001

*Not shown

Keyboards (not illustrated)

Easy Access Keyboard, PS2 Connector		271122-xxx	
Arabic	-171	Portuguese	-131
Belgian	-181	Spanish	-071
Danish	-081	Swedish	-101
Finnish	-351	Swiss	-111
French	-051	Taiwanese	-AB1
Italian	-061	Thai	-281
International	-B31	United Kingdom	-031
Latin American Spanish	-161	U.S.	-001
Norwegian	-091	U.S.	-002
People's Republic of China	-AA1	U.S.	-004



Miscellaneous Parts

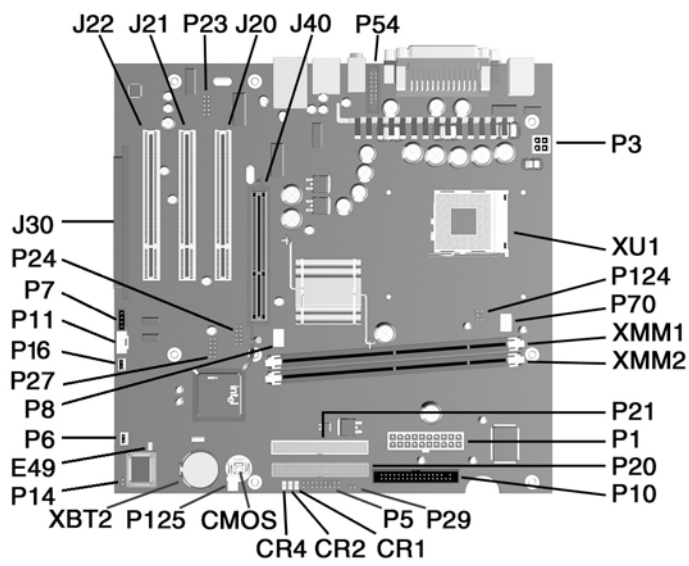
1	Front bezel assembly includes plain front bezel, 5 1/4" bezel blank, and bezel insert for EMEA and Blue Angel use only	299170-001
1	Front bezel assembly includes silver front bezel, 5 1/4" bezel blank, and bezel insert supporting 2 USB and 2 audio ports	299171-001
3	Bezel insert supporting 2 USB and 2 audio ports	292209-001
*	Power switch holder	287077-001
	Heatsink assembly Type 1, includes:	289576-001
4	Fan assembly with mounting base and attaching screws	
5	Heatsink	
	Heatsink assembly Type 2, includes:	300871-001
6	Heatsink with fan assembly and retaining clips	
*	Heatsink mounting base and attaching screws	
*	Mouse, 2-button with ratchet wheel	237241-001
*	DiskOnKey, 8 MB	249911-001
Miscellaneous plastics kit, includes:		257051-001
*	Bezel blank (166775-002)	
*	Power switch spring (not this product)	
*	LED holder (not this product)	
*	Cable clip (not this product)	
*	3.5" to 5.25" Drive bay adapter	313224-001

*Not shown

Mass Storage Devices

1	20 GB\5400 RPM Hard drive	249408-001
	20 GB\7200 RPM Hard drive	260671-001
*	40 GB\5400 RPM Hard drive	236921-001
*	40 GB\7200 RPM Hard drive	286692-001
*	60 GB\5400 RPM Hard drive	286693-001
*	80 GB\7200 RPM Quiet hard drive	250185-001
2	48X CD-ROM drive	232320-001
*	16/10/40/12X CD ROM drive	281749-001
*	40/10/40 CDRW drive	286711-001
*	16X DVD drive	278647-001
*	DVD R/RW	250109-001
3	Diskette drive	278644-001

* Not shown



System Board Connectors and Jumpers (position of some untitled components may vary in location)

CMOS	Clear CMOS	P11	Aux audio
CR1	5V Aux (ON)/PSON (OFF)	P14	Boot block
CR2	Power button (OK)	P16	Intrusion
CR4	3.3V_Aux	P20	Primary ATA
E49	Password	P21	Secondary ATA
J20	PCI Expansion slot 1	P24	Front USB
J21	PCI Expansion slot 2	P27	MultiBay
J22	PCI Expansion slot 3	P29	SCSI LED
J30	PCI extension	P54	Com port B header
J40	AGP slot	P70	CPU fan
P1	Power, main	P124	Hood lock
P3	Power, processor (VCCP12V)	P125	Hood sensor
P5	Power switch/LED	XBT2	Battery
P6	Speaker	XMM1	DIMM 1
P7	CD audio	XMM2	DIMM2
P8	Chassis fan	XU1	Processor socket
P10	Diskette		

System Hardware Interrupts

IRQ	System Function	IRQ	System Function
0	Timer Interrupt	8	Real-Time Clock
1	Keyboard	9	Unused
2	Interrupt Controller Cascade	10	Unused, available for PCI
3	Serial Port (COM B)	11	Unused, available for PCI
4	Serial Port (COM A)	12	Mouse
5	Unused, available for PCI	13	Coprocessor
6	Diskette Drive	14	Primary ATA (IDE) Controller
7	Parallel Port (LPT 1)	15	Secondary ATA (IDE) Controller

System Board Diagnostic Lights¹

Main Power Switch Status	3.3V_Aux LED	5V_Aux/PSON LED	Power Button LED
OFF ²	ON	ON ⁴	OFF
ON ³	ON	OFF ⁵	ON

1. ON and OFF state of LEDs apply only to a good, working system board with AC power applied to the power supply.
2. Power LED on front of computer is OFF.
3. Power LED on front of computer is ON (Green).
4. 5V_Aux is ONN.
5. PSON is active = power supply turned ON.

Clearing CMOS*

The computer's configuration (CMOS) may occasionally be corrupted. If it is, it is necessary to clear the CMOS memory using the Clear CMOS button.

To clear and reset the configuration, perform the following procedure:

1. Prepare the computer for disassembly.

CAUTION: The power cord must be disconnected from the power source before pushing the Clear CMOS Button (NOTE: All LEDs on the board should be OFF). Failure to do so may damage the system board

2. Remove the access panel.
3. Press the CMOS button located on the system board and keep it depressed for 5 seconds.
4. Replace the access panel.
5. Turn the computer on and run F10 Computer Setup (Setup utility) to reconfigure the system. Computer Setup information may be found on the *Documentation Library CD*.

* When the CMOS button is pushed or the jumper is removed, both the power-on password and the setup password become invalid because both are stored in the configuration memory. You will need to reset the passwords.

Disabling or Clearing the Power-On and Setup Passwords*

1. Turn off the computer and any external devices, and disconnect the power cord from the power outlet.
2. Remove the access panel.
3. Locate the header and jumper labeled E49.
4. Remove the jumper from pins 1 and 2. Place the jumper over pin 2 only, in order to avoid losing it.
5. Replace the access panel.
6. Plug in the computer and turn on power. Allow the operating system to start.
NOTE: Placing the jumper on pin 2 clears the current passwords and disables the password features.
7. To re-enable the password features, repeat steps 1-3, then replace the jumper on pins 1 and 2.
8. Repeat steps 5-6, then establish new passwords.

Refer to the F10 Computer Setup (Setup utility) instructions to establish new passwords. Computer Setup information may be found on the *Documentation Library CD*.

* When the CMOS button is pushed or the jumper is removed, both the power-on password and the setup password become invalid because both are stored in the configuration memory. You will need to reset the passwords.

Computer LEDs

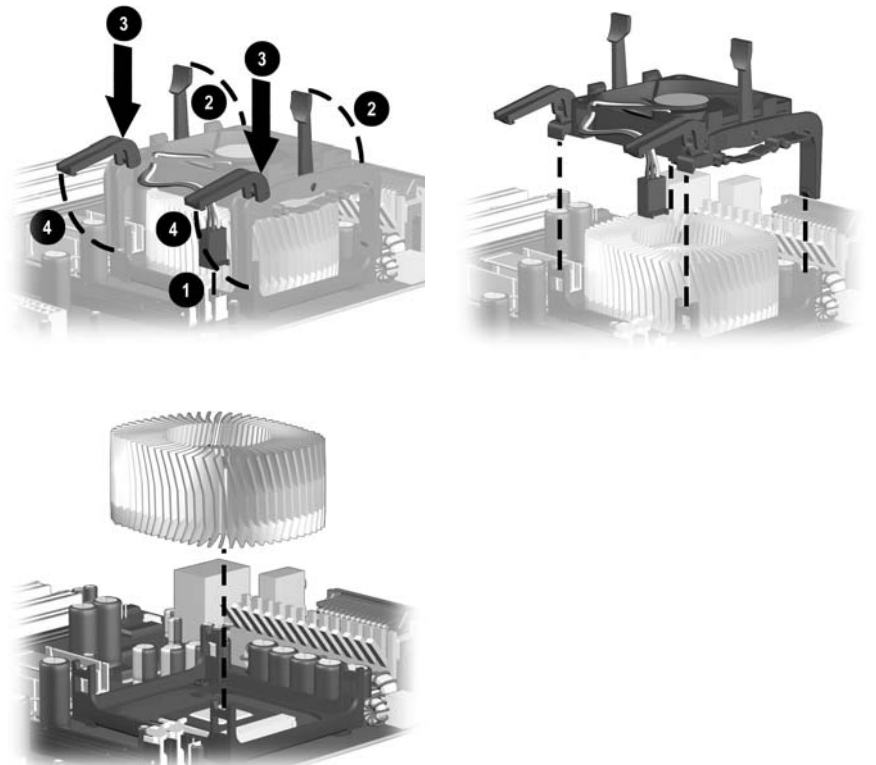
LED	Color	LED Activity	State/Message
Power	Green	On	(S0) Computer on
Power	Green	1 blink every 2 second	(S1) Normal Suspend Mode
Power	Green	1 blink every 2 seconds	(S3) Suspend to RAM
Power	None	Off	(S4) Suspend to Disk (if applicable)
Power	None	Off	(S5) Computer off
Power	Red	2 blinks 1 second apart, followed by 2-second pause - Repeat	CPU thermal shutdown
Power	Red	On	CPU not installed
Power	Red	1 blink every 1 second	ROM error
Power	Red	1 blink every 2 seconds	Power supply crow bar
Hard Drive	Green	Blinking	Hard drive activity

Keyboard LEDs

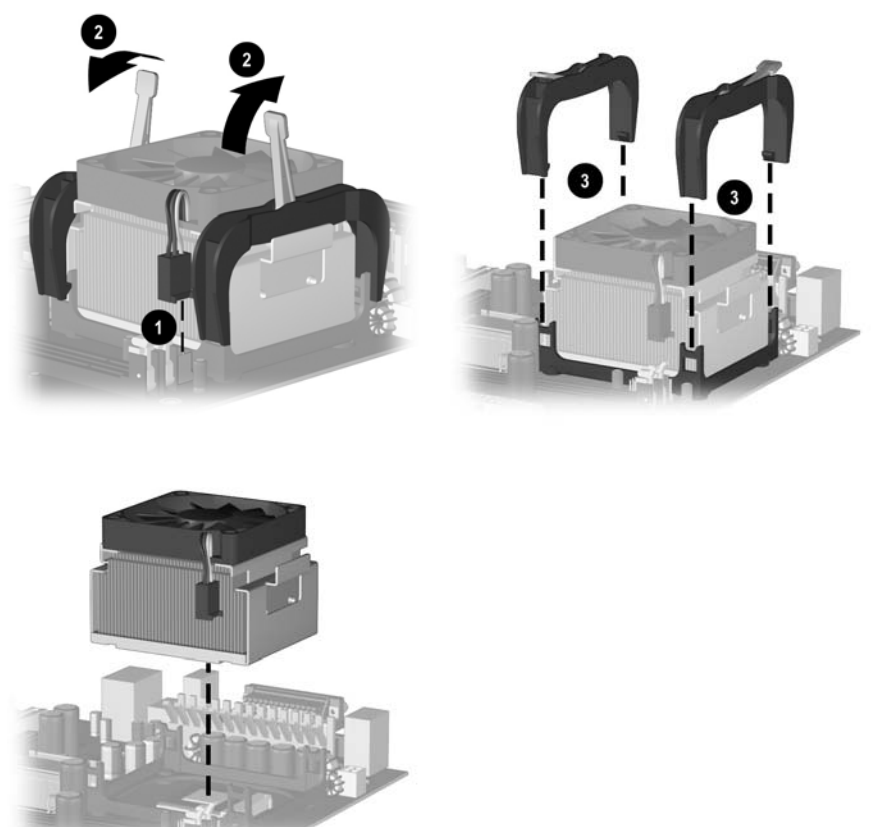
LED	Color	LED Activity	State/Message
Num Lock	Green	Flashing (Beeps - 1S, 2L)	Memory error
Caps Lock	Green	Flashing (Beeps - 1L, 2S)	No video
Scroll Lock	Green	Flashing (Beeps - 2L, 1S)	System board failure, prior to video
Num, Caps, Scroll Lock	Green	Flash On-Off 2 times (Beeps - 1L, 3S)	Invalid system ROM detected. ROM forces reflash.
Num, Caps, Scroll Lock	Green	On (Rising Tone)	ROM reflashed successfully
Num Lock	Green	On	ROMPaq diskette not present, is bad, or drive not ready.*
Caps Lock	Green	On	Enter password.
Num, Caps, Scroll Lock	Green	Blink On in sequence, one at a time - N, C, SL	Keyboard locked in network mode

* Insert valid ROMPaq diskette in drive A. Turn power switch off, then on to reflash ROM. If ROM flash is successful, all three keyboard LEDs will light up, and you will hear a rising tone series of beeps. Remove diskette and turn power off, then on to restart the computer. For more information about flashing the ROM, refer to the Troubleshooting guide.

Type 1 Heatsink



Type 2 Heatsink



Free Manuals Download Website

<http://myh66.com>

<http://usermanuals.us>

<http://www.somanuals.com>

<http://www.4manuals.cc>

<http://www.manual-lib.com>

<http://www.404manual.com>

<http://www.luxmanual.com>

<http://aubethermostatmanual.com>

Golf course search by state

<http://golfingnear.com>

Email search by domain

<http://emailbydomain.com>

Auto manuals search

<http://auto.somanuals.com>

TV manuals search

<http://tv.somanuals.com>