

This manual is for reference and historical purposes, all rights reserved.

This page is copyright© by M. Butkus, NJ.

This page may not be sold or distributed without the expressed permission of the producer

I have no connection with any camera company

On-line camera manual library

This is the full text and images from the manual. This may take 3 full minutes for the PDF file to download.

If you find this manual useful, how about a donation of \$3 to: M. Butkus, 29 Lake Ave., High Bridge, NJ 08829-1701 and send your e-mail address so I can thank you. Most other places would charge you \$7.50 for a electronic copy or \$18.00 for a hard to read Xerox copy.

This will allow me to continue to buy new manuals and pay their shipping costs.

It'll make you feel better, won't it?

**If you use Pay Pal or wish to use your credit card,
click on the secure site on my main page.**

Download from Www.Somanuals.com. All Manuals Search And Download.

www.orphancameras.com

CONTAX



www.orphancameras.com

RTS III

Instruction manual • Bedienungsanleitung
Mode d'emploi • Manual de instrucciones

Download from [Www.Somanuals.com](http://www.Somanuals.com). All Manuals Search And Download.

Thank you for your purchase of a Contax RTS III. Based on the "Real Time" concept of the Contax RTS series, this Contax camera of the highest class offers, in addition, more sophisticated features such as ultra-fast 1/8000 sec. shutter speed, RTV (Real Time Vacuum) system, TTL pre-flash capability, and narrow-area spot metering.

To make full advantage of its functions and capabilities, please read this manual carefully through before using the camera so that you can understand them well and use it correctly.

This manual uses a multi-mode Planar T* 50mm F1.4 (MM) lens equipped on the camera for explaining its operating procedures. However, you can also use it in the same way as described in this manual when it is equipped with other multi-mode Carl Zeiss interchangeable lenses.

Wir danken Ihnen, daß Sie sich für die Contax RTS III entschieden haben.

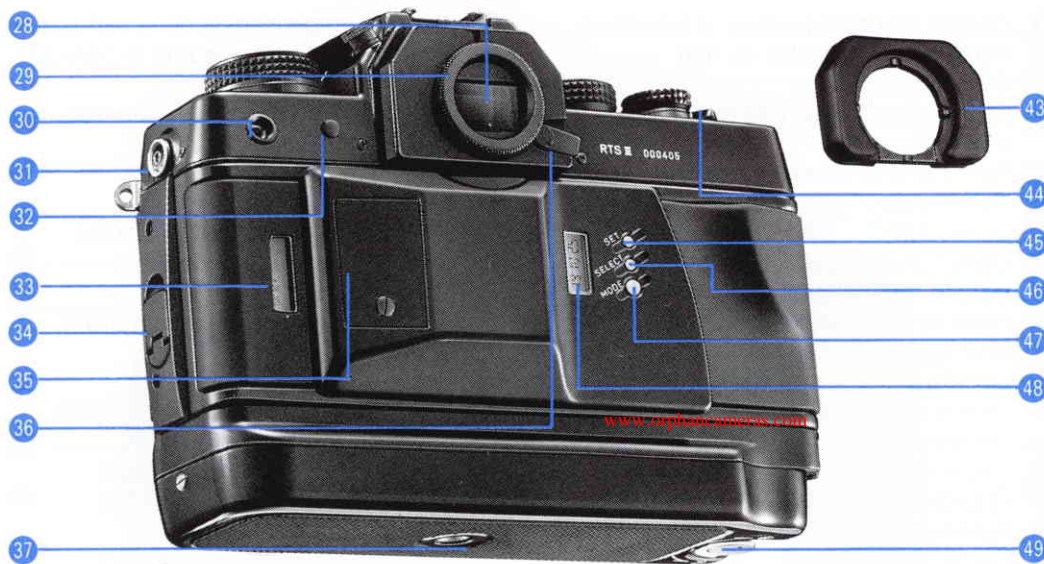
Auf der Grundlage des Echtzeitkonzeptes der Contax RTS-Serie bietet Ihnen diese Contax-Kamera der höchsten Güteklasse zusätzliche fortschrittliche Merkmale, u.a. eine ultrakurze Verschußzeit von 1/8000 Sek., ein RTV-System (Real Time Vacuum), TTL-Vorblitz-Lichtmessung und Engbereichs-Spotmessung. Bitte lesen Sie diese Bedienungsanleitung vor Inbetriebnahme der Kamera aufmerksam durch, damit Sie mit allen Funktionen vertraut werden und optimalen Gebrauch von ihren Möglichkeiten machen können.

Die Erklärungen dieser Bedienungsanleitung gehen davon aus, daß ein Mehrbetriebsarten-Objektiv (MM) Planar T* f1,4/50 mm an der Kamera angesetzt ist, doch gelten die gleichen Bedienungsverfahren auch für alle anderen Mehrbetriebsarten-Wechselobjektive von Carl Zeiss.

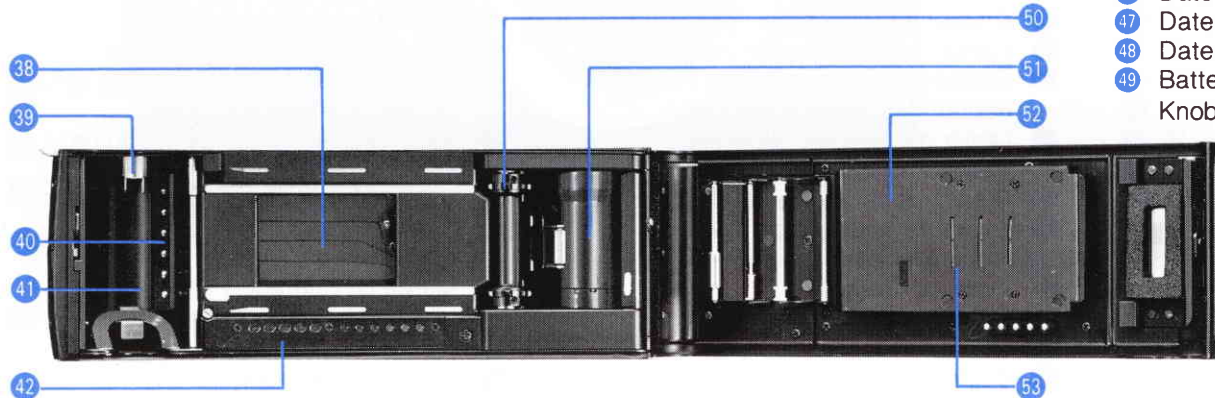
Name of Parts	8	<3> Using the A.B.C. Mode	
Basic Steps	12	(Automatic Bracketing Control)	90
● Basic Operation Before Shooting		Depth of Field	96
Mounting and Dismounting the Lens	18	Using the Self-timer	100
Loading the Batteries	20	Multiple Exposure	102
< Main Switch >	22	Flash Photography	104
< Battery Check >	24	Mirror-up Lever/Release Socket	122
Diopter Adjustment	28	Infrared Compensation Mark	124
Setting the Film Speed	30	Printing the Date or Time	126
Loading the Film	32	Camera Care and Precautions	130
Display in the Viewfinder and Display Panel	36	Dedicated Accessories	134
Drive Mode Selector Dial	44	Specifications	142
Exposure Mode Selector Lever	46		
Shutter Speed Dial	48		
Holding the Camera	50		
Focusing the Lens	52		
Rewinding the Film	54		
< RTV (Real Time Vacuum) System >	56		
● Camera Functions and Applied Techniques			
Selecting the Exposure Mode	58		
Aperture-priority Auto Exposure	62		
Shutter-speed-priority Auto Exposure	64		
Manual Exposure	72		
Bulb Exposure	74		
Metering System	78		
Exposure Compensation	82		
< 1 > Using the Exposure Compensation Dial	82		
< 2 > Using the AE Lock	86		

Name of Parts





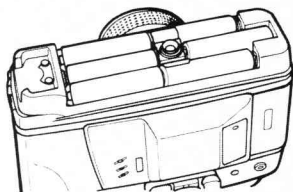
- 28 Viewfinder Eyepiece
- 29 Eyepiece Ring
- 30 Release Socket
- 31 Sync Terminal
- 32 Exposure Mode Lock Release Button
- 33 Film Check Window
- 34 Camera Back Release Knob
- 35 Dating-unit Battery Compartment Cover
- 36 Eyepiece Shutter Lever
- 37 Tripod Socket
- 38 Shutter Curtain
- 39 Film Mounting Spindle
- 40 DX Contact
- 41 Film Chamber
- 42 Data-back Contact
- 43 Eyecup
- 44 Pre-flash Lever
- 45 Date Set Button
- 46 Date Select Button
- 47 Date Mode Button
- 48 Date Display window
- 49 Battery Compartment Cover Locking Knob



- 50 Sprocket
- 51 Spool
- 52 Film Pressure Plate
- 53 RTV Suction Slit

Basic Steps/Grundlegendes Verfahren

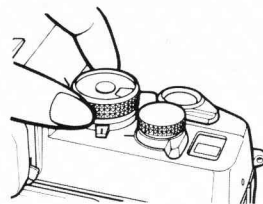
Etapas de base/Pasos básicos



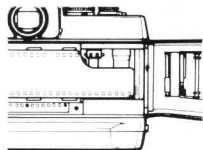
- 1 Load the batteries.
- 1 Legen Sie die Batterien ein.
- 1 Mettez les piles en place.
- 1 Cargue las pilas.



- 2 Set the main switch to "ON".
- 2 Schalten Sie den Hauptschalter ein ("ON").
- 2 Placez le commutateur principal sur "ON".
- 2 Ajuste el interruptor principal en "ON".



- 3 Set the film speed to "DX" with the exposure compensation dial.
- 3 Stellen Sie die Filmempfindlichkeit mit dem Belichtungskorrekturring auf "DX" ein.
- 3 Réglez la sensibilité du film sur "DX" avec le cadran de compensation d'exposition.
- 3 Ajuste la velocidad de la película a "DX" con el aro de compensación de exposición.

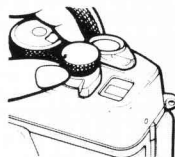


4 Load film, pull out its tip as far as the orange "—" mark and place it on the spool.

4 Legen Sie den Film ein, ziehen Sie den Filmanfang bis zur orangefarbenen Marke "—" aus der Patrone und legen Sie ihn auf die Filmtransportrolle.

4 Chargez un film, extraire son amorce jusqu'à la marque orange "—" et placez-le sur la bobine.

4 Cargue la película, tire hacia fuera de su punta hasta la marca naranja "—" y colóquela en el carrete.



5 Set the drive mode Selector Dial to "S", "CL" or "CH".

5 Stellen Sie den Filmtransport-Wahlring auf "S", "CL" oder "CH".

5 Réglez le cadran de sélection de mode d'entraînement sur "S", "CL" ou "CH".

5 Ajuste el aro del selector del modo motorizado a "S", "CL" o "CH".



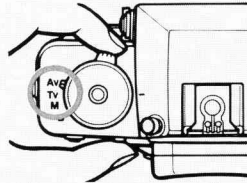
Av

Aperture-priority auto exposure
(see page 62)

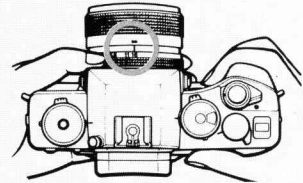
**Belichtungsautomatik mit
Blendenvorwahl**
(Siehe Seite 63.)

**Exposition automatique à priorité
au diaphragme**
(voir page 63)

**Exposición automática con
prioridad de abertura**
(vea la página 63)



- 6 Set the exposure mode selector lever to "Av".
- 6 Stellen Sie den Belichtungs-betriebsarten-Wahlschieber auf "Av".
- 6 Placez le levier de sélection de mode d'exposition sur "Av".
- 6 Ajuste la palanca del selector del modo de exposición a "Av".



- 7 Set the aperture and shoot.
- 7 Stellen Sie das Objektiv auf den gewünschten Blendenwert ein und machen Sie die Aufnahme.
- 7 Réglez le diaphragme et déclenchez.
- 7 Ajuste la abertura y dispáre.

Shutter-speed-priority auto exposure

(with MM type lenses only) (see page 64)

Belichtungsautomatik mit Verschlusszeitenvorwahl

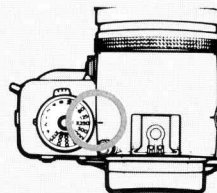
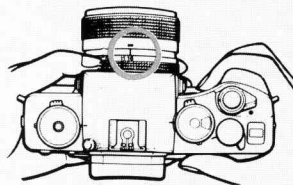
(nur bei Verwendung von Objektiven mit MM-Anschluß) (Siehe Seite 65.)

Exposition automatique à priorité à la vitesse

(avec objectifs de type MM seulement) (voir page 65)

Exposición automática con prioridad de velocidad del obturador

(sólo con objetivo del tipo MM) (vea la página 65)



6 Set the exposure mode selector lever to "Tv" and set the lens to its minimum aperture (green).

6 Stellen Sie den Belichtungs-betriebsarten-Wahlschieber auf "Tv" und das Objektiv auf den kleinsten Blendenwert ein.

6 Placez le levier de sélection de mode d'exposition sur "Tv" et réglez l'objectif sur son ouverture maximum (vert).

6 Ajuste la palanca del selector del modo de exposición a "Tv" y ajuste el objetivo a su abertura mínima (verde).

7 Set the shutter speed and shoot.

7 Stellen Sie die gewünschte Verschlusszeit ein und machen Sie die Aufnahme.

7 Réglez la vitesse d'obturation et déclenchez.

7 Ajuste la velocidad del obturador y dispáre.

Attach the Strap
(standard accessory)

Attach the strap as shown in the illustration.

Anbringen des Tragriemens
(Standardzubehör)

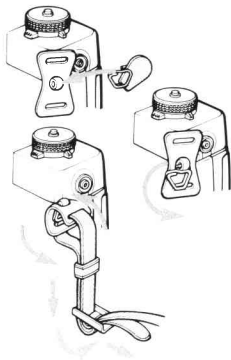
Bringen Sie den Tragriemen wie in der Abbildung gezeigt an.

Fixation de la courroie
(accessoire standard)

Fixez la courroie comme indiqué dans l'illustration.

Unión de la correa
(accesorio estándar)

Una la correa como se muestra en la ilustración.



Attaching the Eyecup F-4
(standard accessory)

① Remove the eyepiece ring by turning it as shown.

② Attach the Eyecup to the eyepiece and fix the eyepiece ring again in place by screwing it in.

Anbringen der Augenmuschel F-4
(Standardzubehör)

① Drehen Sie den Okularring wie gezeigt, um ihn zu entfernen.

② Bringen Sie die Augenmuschel am Okular an und schrauben Sie den Okularring wieder ein.

Fixation de l'ocilleton F-4
(accessoire standard)

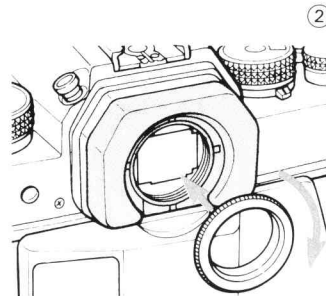
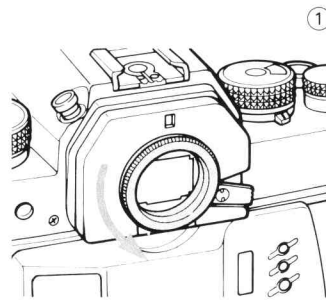
① Retirez la bague de l'ocilleton en la tournant comme indiqué.

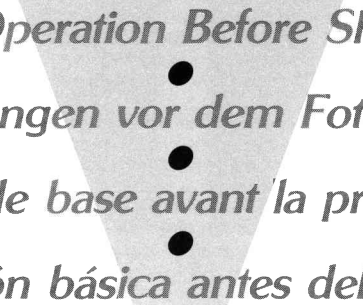
② Fixez l'oculaire sur l'ocilleton et fixez la bague de l'ocilleton de nouveau en place en la vissant.

Unión del marco del ocular F-4
(accesorio estándar)

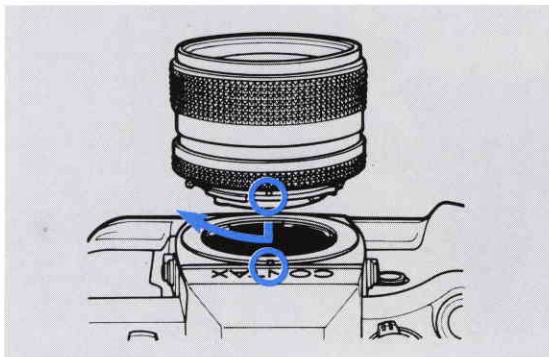
① Extraiga el anillo del ocular girándolo como se muestra.

② Una el marco del ocular en el ocular y fije el anillo del ocular en su lugar enroscándolo.



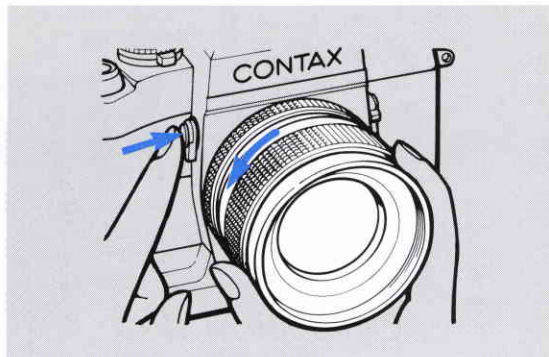


Basic Operation Before Shooting
Vorbereitungen vor dem Fotografieren
Opération de base avant la prise de vues
Operación básica antes del disparo



< Mounting the Lens >

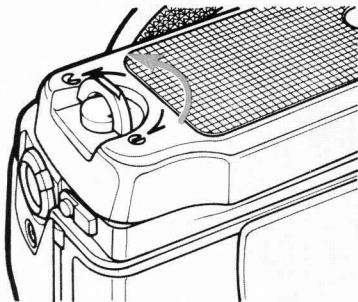
First, remove the camera's body cap and the lens' rear cap by turning them counterclockwise. Then, align the red dot on the lens with the lens index on the camera, fit it in and turn it clockwise until it locks with a click.



< Dismounting the Lens >

While pressing in the lens release button, turn the lens counterclockwise as far as it will go and pull it out toward you. After dismounting the lens from the camera, protect the lens with the rear cap, and the camera with the body cap.

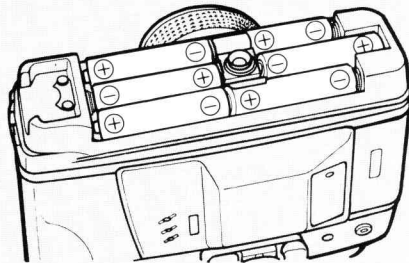
- Do not touch the lens surface and camera inside with your fingers when attaching and detaching the lens.
- Avoid direct sunlight when changing the lens with film loaded in the camera.



All mechanisms of the Contax RTS III including the shutter, film winding and rewinding mechanism are battery operated. It will not operate without batteries.

1 Erect the battery compartment cover locking knob, turn it in the direction of the arrow (the mark “•” will move from “⊖” to “⊕”), then remove the battery compartment cover.

2 Insert the batteries with the plus ⊕ and minus ⊖ ends correctly, as illustrated inside the battery compartment. The camera will not operate if the ⊕ and ⊖ ends are wrong.



- The batteries that come with the camera are sample batteries that can be used only for testing the camera operation.

Use the following batteries depending on the application.

① Six 1.5V alkaline batteries (AA size)

Recommended for general use.

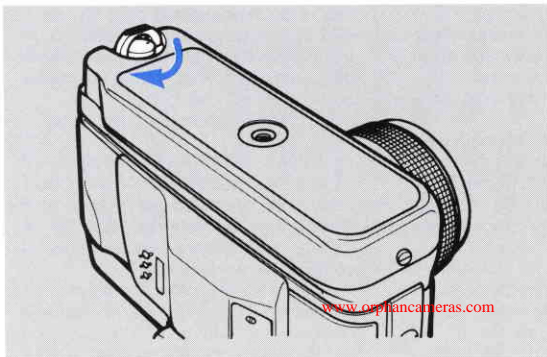
② Six 1.2V Ni-Cd batteries (AA size)

Recommended especially for shooting in cold weather.

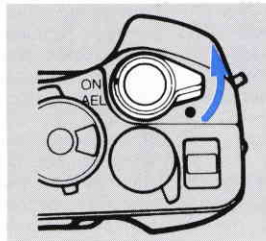
③ One 6V lithium battery (2CR5)

Recommended when you are to use the same battery for a long time, because of its low natural discharge.

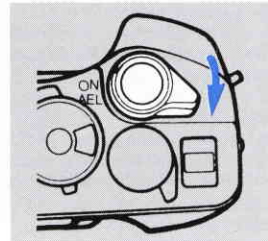
It is also good as a spare battery to take with you on a trip.



3 Fit the guide pin on the camera into the fixing hole in the battery chamber cover and replace the cover. Then fix it in place by turning the locking knob in the direction of the arrow as far as it will go (the mark “•” will move from “⊂” to “⊖”).



*In ON position/Position EIN
Position ON/En la posición ON*



*In OFF position/Position AUS
Position OFF/En la posición OFF*

< Main Switch >

The main switch has three positions: “OFF”, “ON”, and “AEL” (AE lock).

OFF: To set the main switch to OFF, turn it so that the red dot is concealed.

At OFF, the camera’s power switch will turn off.

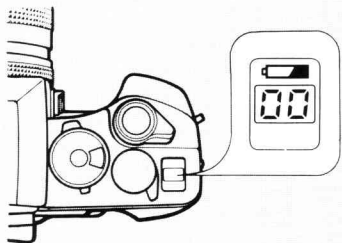
If you are not using the camera, set the main switch at OFF to prevent tripping the shutter by mistake.

ON: Turn the main switch so that the dot on it comes opposite “ON”.


At ON, the camera’s power switch will turn on.

AEL: Turn the main switch so that the dot it comes opposite “AEL”.


At AEL, exposure is locked. This AE lock is useful for shooting in backlight or continuous shooting of a moving object at a fixed exposure.

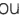



< Battery Check >

The battery voltage is normal if the mark “” (battery warning mark) does not appear in the display panel. For details on the display in the panel, see page 36.

< Battery Replacement >

If the mark “” turns on in the display panel, it is time to replace the batteries. Set the main switch at OFF, open the battery compartment cover and change the batteries with new ones.

- Though you can take picture even after the mark “” has turned on, it is recommended to replace the batteries as soon as possible. Be careful because the mark “” will blink or go out and the camera will no longer operate if the battery capacity has dropped below the effective limit.

Batteries and their capacity (number of rolls of 36-exposure film that can be exposed with new batteries)

Batterietypen und ihre Kapazität (Anzahl von Rollen 36er Films, die mit frischen Batterien belichtet werden können)

Les piles et leur capacité (nombre de rouleaux de 36 poses pouvant être exposés avec des piles neuves)

Pilas y su capacidad (número de rollos de 36 exposiciones que pueden exponerse con pilas nuevas)

Type of Battery Batterietyp Type de pile Tipo de pilas	Ordinary temperature Normal-temperatur Température ordinaire Temperatura normal	- 10°C
Six 1.5V alkaline batteries (AA size) Sechs 1,5-V-Alkalibatterien (AA) Six piles alcalines de 1,5 V (taille AA) Seis pilas alcalinas de 1,5 voltios (Tamaño AA)	About 120 ca. 120 Environ 120 Cerca de 120	About 7 ca. 7 Environ 7 Cerca de 7
Six 1.2V Ni-Cd batteries (AA size) Sechs 1,2-V-NiCd-Akkus (AA) Six piles Ni-Cd de 1,2 V (taille AA) Seis pilas de Ni-Cd de 1,2 voltios (Tamaño AA)	About 50 ca. 50 Environ 50 Cerca de 50	About 20 ca. 20 Environ 20 Cerca de 20
One 6V lithium battery Eine 6-V-Lithiumbatterie Une pile au lithium de 6 V Una pila de litio de 6 voltios	About 120 ca. 120 Environ 120 Cerca de 120	—

< Battery Precautions >

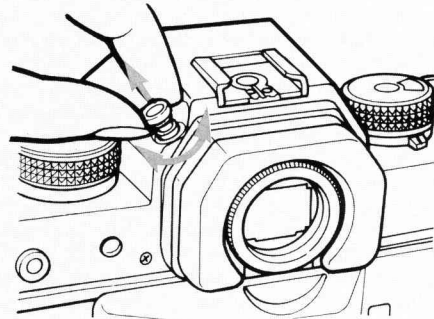
- Always replace the batteries with new ones of the same type. Do not mix different kinds of batteries or old batteries.
- Generally, battery performance is reduced by cold temperatures (under 0°C). If you are shooting in cold weather, it is advisable to keep the camera warm in a bag or an outfit for protection against cold. The battery performance reduced by low temperatures will return to normal when you take pictures at an ordinary temperature.
- Before loading the batteries, wipe both poles clean with a dry cloth because poor contact may result if they are soiled with sweat or grease.
- Do not throw used batteries into fire or try to charge or disassemble them because it is dangerous.
- If you are going on a long trip, bring a new set of spare batteries with you.

< Vorsichtsmaßnahmen für die Batterien >

- Tauschen Sie immer alle Batterien gleichzeitig gegen frische Batterien des gleichen Typs aus. Mischen Sie nicht alte und neue Batterien und solche verschiedener Typen.
- Bei Temperaturen unter Null nimmt die Batterieleistung vorübergehend ab. Beim Fotografieren in kaltem Wetter sollten daher frische Batterien verwendet und die Kamera vor den Aufnahmen warmgehalten werden. Die durch tiefe Temperaturen beeinträchtigte Batterieleistung wird jedoch wiederhergestellt, wenn Aufnahmen später bei normaler Temperatur gemacht werden.
- Vor dem Einlegen der Batterien beide Pole mit einem trockenen Tuch abreiben, da bei einer Verschmutzung der Pole mit Schweiß oder Fett kein einwandfreier elektrischer Kontakt gewährleistet ist.
- Verbrauchte Batterien auf keinen Fall in ein offenes Feuer werfen, aufladen versuchen oder zerlegen, da Verletzungsgefahr besteht!
- Wenn Sie auf längere Reisen gehen, nehmen Sie einen Satz frischer Batterien als Reserve mit.

This camera has a built-in diopter adjustment unit. To adjust the viewfinder eyepiece to your eyesight, lift up the diopter adjuster and turn it until the circle in the center of the viewfinder appears clear. The adjustable range is +1 ~ -3 diopters.

- After adjustment, push in the diopter adjuster.
- If you cannot adjust with the camera's built-in diopter adjuster, use the optional FM type diopter corrector lenses. See page 136.



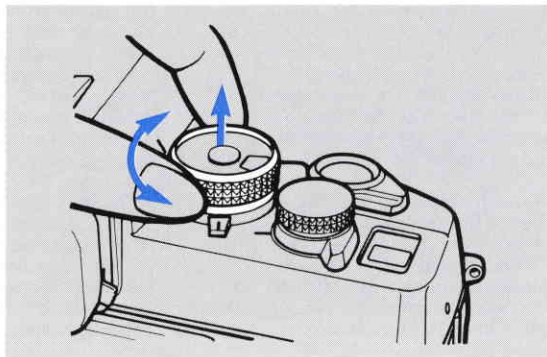
Setting the Film Speed

You can set the film speed in two ways: automatic setting with DX film and manual setting.

< Automatic Setting >

Turn the exposure compensation dial while lifting it up so that the "DX" marking in the film speed window comes opposite the film speed index, then lock it with a click. If you use DX-coded film (ISO 25~5000), the camera will automatically set its film speed. The DX marking and film speed are printed on the film box.

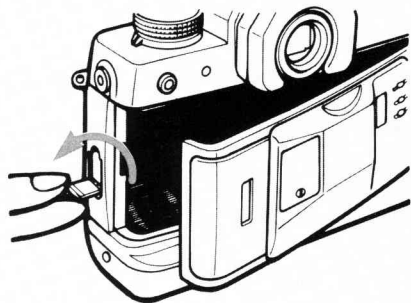
- Automatically set film speeds are not displayed on the camera.
- If non-DX-coded film is used in the automatic setting mode, its film speed will be set to ISO 100.



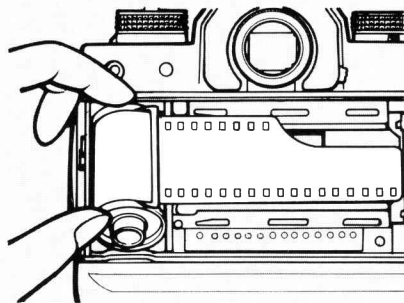
< Manual Setting >

If you use non-DX-coded film, or if you want to shoot with a film speed that is different from that of the film you are using, use the manual setting mode. Turn the exposure compensation dial while lifting it up, and set it at your desired speed. In this mode, the camera is set to the manual speed even if you use DX-coded film.

Film speeds can be set in a range of ISO 6~6400 in 1/3-step increments.



1 Erect the camera back release knob, turn it in the direction of the arrow and open the camera back. After opening the camera back, return the knob to its original position.



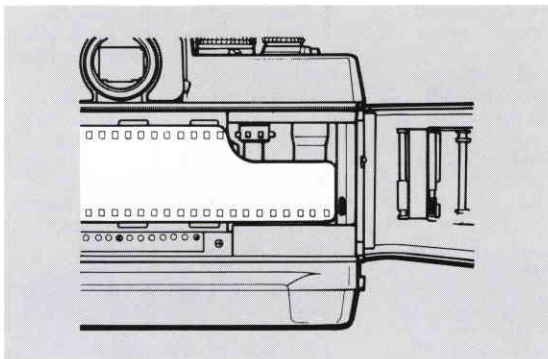
2 Insert the film cassette slantwise into the film chamber with its protruding end downward as illustrated.

Note on the shutter curtain:

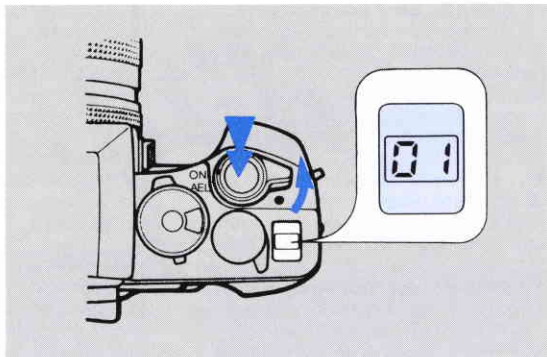
The shutter curtain is a precision part. Never touch it with your finger or strike it with the film tip.

When the film tip lies on the shutter curtain, in particular, never trip the shutter.

- Take care not to touch or contaminate the DX contacts and data back contact.
- Always load and unload film in subdued light.

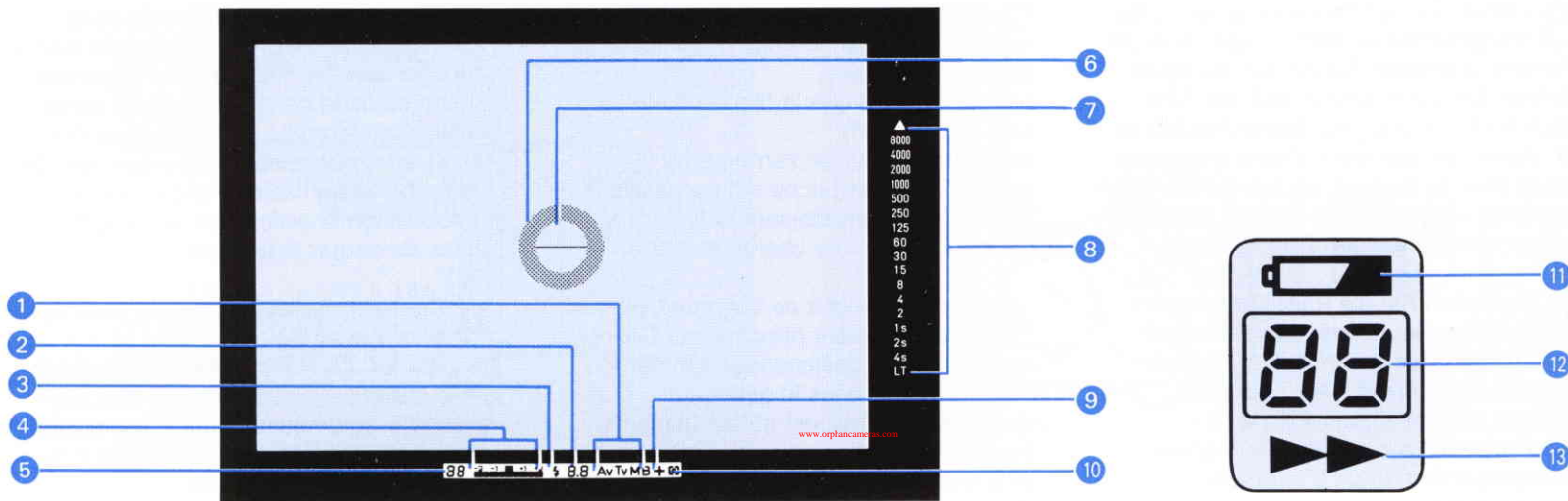


- 3** Pull out the film tip as far as the orange “—” mark and place it on the spool. Take care that the film does not float up (see illustration).
- If the length of film protruding from the cassette is too long, adjust it by winding film back into the cassette before loading the film.



- 4** Close the camera back, set the main switch at ON and depress the shutter release. The mark “▶▶” will blink in the display panel, the film will automatically advance into position for the first shot and the exposure counter will show “01”.
- If the exposure counter does not move from “00”, the film is not advancing properly. Open the camera back and load the film correctly again.
 - The exposure counter can be checked both in the display panel and in the viewfinder.
 - The film check window will let you check if there is film in the camera or not.

Display in the Viewfinder and Display Panel



< Display in the Viewfinder >

The display in the viewfinder is a backlight type and uses a power-saving design so that it turns on for 16 seconds in the following cases then turns off automatically.

- ① When the main switch is set at ON.
- ② When the main switch is at ON:
 - When the shutter release, exposure check button, or aperture stop-down button is depressed.
 - When the pre-flash lever or rewind lever is set at ON.

If a dial or other controls are switched while the display appears in the viewfinder, it will remain on for additional 16 seconds.

- ① **Exposure Mode Indicator** The exposure mode is displayed. “Av” shows aperture-priority auto exposure, “Tv” shutter-speed priority auto exposure, “M” manual exposure, and “B” bulb exposure.
- ② **Aperture Value** In the aperture-priority auto exposure mode and manual exposure mode, the aperture that is set on the camera will be displayed, and in the shutter-speed-priority auto exposure, the aperture determined in accordance with the shutter speed.
- ③ **Flash Mark** When shooting with the TTL flash system, the flash mark “⚡” will turn on as soon as the flash is fully charged.

4 **Flashmeter** When the pre-flash is "ON", the bar will turn on in a range of ± 2 EV to show an exposure error relative to the correct exposure in 1/2-EV steps. If the error exceeds ± 2 EV, all bars on the corresponding side will turn on. The flashmeter will also show the light control condition after flash exposure on TTL direct light control.

5 **Exposure Counter** The exposure counter will advance one by one each time the film is wound. It will count down while the film is rewinding.

In addition, the counter has the following functions:

- Displays the time on bulb exposure (repetition of 00 ~ 59 seconds) (excepting when the cable release socket for bulb exposure is used).
- Displays the remaining time when the self-timer is operating (10 sec. ~ 00).
- Displays the operation order on A.B.C. mode.
- Displays when the end of the film is reached.

6 **ø 5mm Pre-flash Metering Range**

7 **ø 3mm Spot Metering Range**

8 **Shutter Speed** The shutter speed from 1/8000 to 4 seconds and LT (6 ~ 32 seconds) are displayed. "8000" shows 1/8000 seconds, and "4s" shows 4 seconds. If two shutter speeds are displayed, their intermediate value is the shutter speed being set. If the mark "▲" blinks, it means overexposure; and if "LT" blinks, it means underexposure.

The shutter speed determined by the camera will be displayed.

If the shutter speed has been fixed in an exposure mode "Tv", "M" or "AEL", it will blink. The shutter speed will also blink when it has been automatically switched for flash photography.

9 **Exposure Compensation Mark** If the exposure compensation dial is set for exposure compensation (other than "0"), the "+" or "-" sign will blink.

10 **Metering Mark** For display of the metering mode and AE lock:

Center-weighted metering: The mark "[]" lights.

Spot metering: The mark "[]" lights.

AE lock on center-weighted metering: The mark "[]" blinks.

AE lock on spot metering : The mark "●" blinks.

< Display Panel >

11 **Battery Warning Mark** For details, see "Battery check" on page 24.

12 **Exposure Counter** Shows the number of exposures taken, even when the main switch is at OFF.

13 **Film Transport Mark**



You can choose the following drive modes depending on your shooting object. To set the drive mode selector dial, turn it while lifting it up.

S Single-frame Shooting

Each time the shutter release is depressed, the camera will expose one frame, wind the film for the next shot and stop winding.

CL and CH Continuous Shooting

As long as the shutter release is depressed, you can take pictures in succession at a rate of up to about three frames/sec. (CL) or about five frames/sec. (CH). (The frame rate will differ with the shutter speed and the conditions of batteries in the camera.)

2 and 10 Self-timer Shooting

You can take picture with self-timer with a delay of 2 or 10 seconds. For details, see page 100.

Multiple Exposure

See page 102.

Frame rates with different batteries

(shutter speed 1/250 or faster, ISO 32 or higher)

Aufnahmegeschwindigkeiten bei verschiedenen Batterien

(Verschlußzeit 1/250 Sek. oder kürzer, ISO 32 oder höher)

Fréquences de photos avec les différents types de piles

(vitesse d'obturation 1/250 ou plus, ISO 32 ou plus)

Margen de fotogramas con pilas diferentes

(Velocidad del obturador de 1/250 o mayor, ISO 32 o mayor)

Battery Batterietyp Pile Pilas	Drive mode Aufnahmebetriebsart Mode d'entraînement Modo motorizado	
	CL	CH
Alkaline batteries Alkalibatterien Piles alcalines Pilas alcalinas	About 3 frames/sec. ca. 3 Bilder/Sek. Environ 3 photos/sec. Unos 3 fotogramas/seg.	About 5 frames/sec. ca. 5 Bilder/Sek. Environ 5 photos/sec. Unos 5 fotogramas/seg.
Ni-Cd batteries NiCd-Akkus Piles Ni-Cd Pilas de Ni-Cd	About 3 frames/sec. ca. 3 Bilder/Sek. Environ 3 photos/sec. Unos 3 fotogramas/seg.	About 4.5 frames/sec. ca. 4,5 Bilder/Sek. Environ 4,5 photos/sec. Unos 4,5 fotogramas/seg.
2CR5	About 2 frames/sec. ca. 2 Bilder/Sek. Environ 2 photos/sec. Unos 2 fotogramas/seg.	About 3.5 frames/sec. ca. 3,5 Bilder/Sek. Environ 3,5 photos/sec. Unos 3,5 fotogramas/seg.

* With new batteries

* Gilt für frische Batterien

* Avec des piles neuves

* Con pilas nuevas

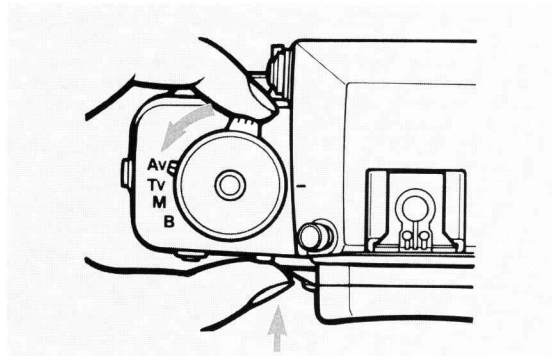
Exposure Mode Selector Lever

The Contax RTS III offers the following exposure modes: aperture-priority auto exposure, shutter-speed-priority auto exposure (with MM type lenses only), manual exposure and bulb exposure. Set your desired mode with the exposure mode selector lever while pressing in the exposure mode lock release button.

For details on the exposure modes, see pages 58 ~ 76.

< Exposure Check Button >

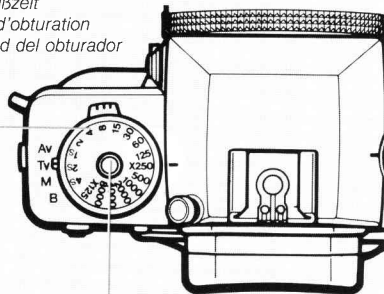
When the main switch is at ON, depress the exposure check button. The display in the viewfinder will turn on to let you check the exposure. You can also check the exposure by depressing the shutter release halfway.



The shutter speed dial can be used for adjusting the exposure time of the film in the shutter-speed-priority auto exposure and manual exposure modes.

It can be set at X125 (1/125 sec.) and speeds from 4 sec. to 1/8000 sec. in 1-step increments. It can be locked only at X125.

*Shutter speed
Verschlußzeit
Vitesse d'obturation
Velocidad del obturador*



*Shutter speed dial lock release button
Verschlußzeitenringsperre-Freigabeknopf
Bouton de dégagement de verrou de cadran de vitesse
d'obturation
Botón de liberación del bloqueo del aro de velocidad del
obturador*

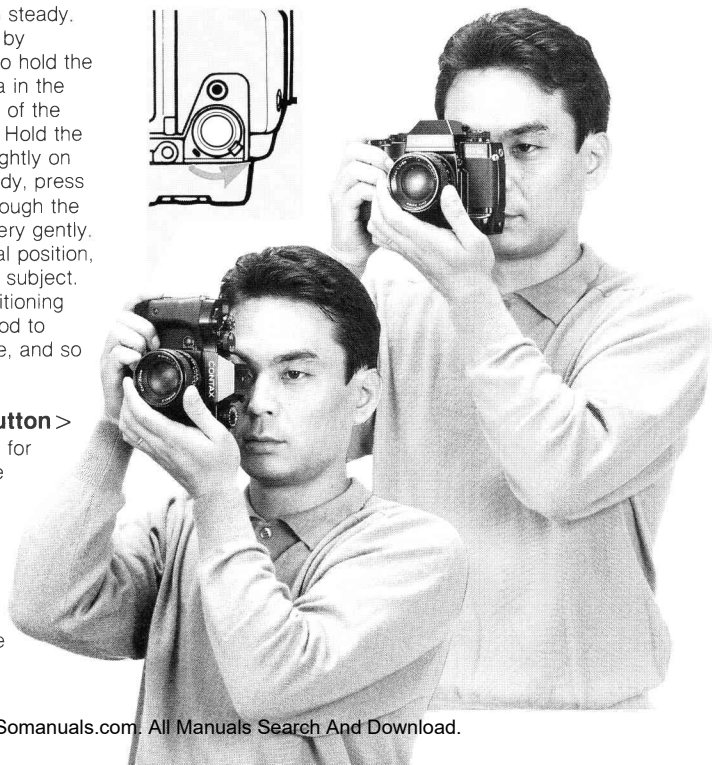
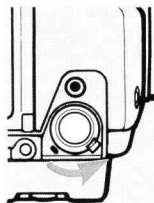
To take sharp pictures, the camera must be held steady. Because blurred pictures are most often caused by camera shake, it is recommended to learn how to hold the camera steady by practicing it. Place the camera in the palm of your left hand and hold the distance ring of the lens so that you can operate it with your fingers. Hold the grip with your right hand and put the forefinger lightly on the shutter release. Stick the left elbow to the body, press the camera lightly against your face and look through the viewfinder. Always depress the shutter release very gently. The camera can be held not only in the horizontal position, but also in the vertical position depending on the subject. In any case, study your comfortable camera positioning and practice until you get used to it. It is also good to support your body or camera with a building, tree, and so on.

< Using the Vertical-position Release Button >

The vertical-position release button is convenient for taking pictures of people and other objects in the vertical position. It allows you to operate the shutter release in a natural posture.

First, unlock the release button by turning the vertical-position release lock lever toward the arrow as far as it will go, then depress it to take your picture.

If you do not use this button, turn the lever to the position where the red mark is concealed.



< RTV (Real Time Vacuum) System >

By adopting a ceramic pressure plate and RTV System, it has become possible to secure the flatness of the film to an upgraded extent that was impossible with the conventional system.

The RTV System can attract the film on the pressure plate just before the first curtain of the shutter travels and release the suction after the second curtain has traveled. It operates in the "Av", "Tv" and "M" modes.

- The RTV System does not operate in the bulb exposure ("B") mode.
- It does not operate, to save power when the battery warning mark "⚡" lights.



< RTV-System (Real Time Vacuum) >

Der Einsatz einer Keramik-Andruckplatte und des RTV-Systems sorgt bei dieser Kamera für eine gegenüber dem herkömmlichen System stark verbesserte Planlage des Films.

Das RTV-System saugt den Film an die Andruckplatte, kurz bevor die ersten Lamellen des Verschlusses betätigt werden. Nach Betätigung der zweiten Lamellen wird die Ansaugung wieder aufgehoben. Diese Einrichtung ist in den Betriebsarten "Av", "Tv" und "M" wirksam.

- Das RTV-System steht in der Zeitbelichtungs-Betriebsart ("B") nicht zur Verfügung.
- Es arbeitet außerdem bei blinkendem Batterie-Warnsymbol "⚡" nicht, um die Batterien zu schonen.

< Système RTV (Real Time Vacuum) >

En adoptant une plaque de pression céramique et le système RTV, il est devenu possible de fixer la planéité du film d'une manière impossible avec le système conventionnel. Le système RTV peut attirer le film sur la plaque de pression, juste avant le déplacement du premier rideau de l'obturateur et relâche l'aspiration lorsque le deuxième rideau a fini de bouger. Il fonctionne dans les modes "Av", "Tv" et "M".

- Le système RTV ne fonctionne pas dans le mode d'exposition prolongée ("B").
- Il ne fonctionne pas non plus, pour des raisons d'économie d'énergie, lorsque la marque d'avertissement des piles ("⚡") s'allume.



< Sistema RTV (Vacío de tiempo real) >

Adoptando una placa de presión cerámica y el sistema RTV, ha sido posible asegurar la planitud de la película a un punto mejorado el cual fué imposible con el sistema convencional.

El sistema RTV puede atraer la película en la placa de presión justo antes de que la primera cortina del obturador se desplace y libere la succión después de que la segunda cortina se haya desplazado.

Opera en los modos "Av", "Tv" y "M".

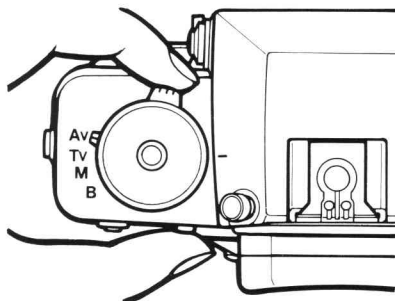
- El sistema RTV no opera en el modo de exposición de pose ("B").
- Cuando la marca "⚡" de advertencia de las pilas se encienda, no operará para ahorrar energía.



Camera Functions and Applied Techniques
Kamerafunktionen und Aufnahmetechniken
Functions de l'appareil et techniques appliquées
Funciones de la cámara y técnicas aplicadas

Selecting the Exposure Mode

You can choose the following exposure modes depending on your shooting object and application.



Av: Aperture-priority Auto Exposure

If you choose your desired aperture, the camera will automatically select the shutter speed suited for it to provide correct exposure. This mode is useful for taking pictures by utilizing the lens depth of field.

Tv: Shutter-speed-priority Auto Exposure (with MM type lenses only)

If you choose your desired shutter speed, the camera will automatically select the aperture suited for it to provide correct exposure. This mode is useful for taking fast moving objects.

M: Manual Exposure

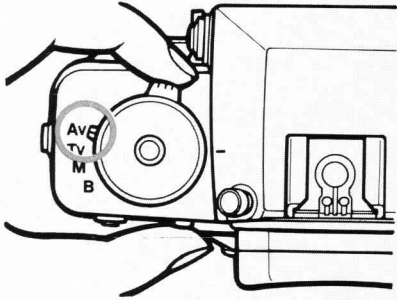
In this mode, you can choose the aperture and shutter speed as desired. Intentional over- or underexposure is also easy.

B: Bulb Exposure

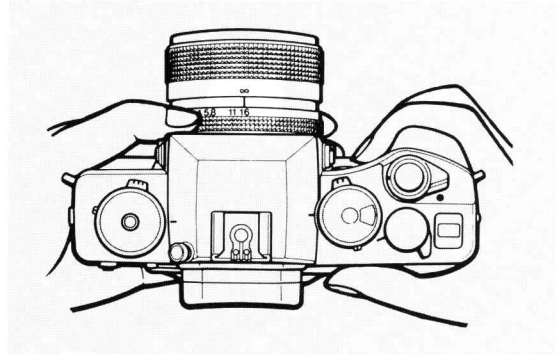
This mode can be used for taking night scenes or pictures of the sky at night which require long exposure. As long as the shutter release is depressed, the shutter will open to expose the film.

- When an AE lens is mounted, it is impossible to take pictures in the "Tv" mode. Even if the camera is set to the "Tv" mode, it will operation in the "Av" mode.
- When no lens is mounted on the camera, it will operate in the "Av" mode even if it is set to the "Tv" mode.

Aperture-priority Auto Exposure



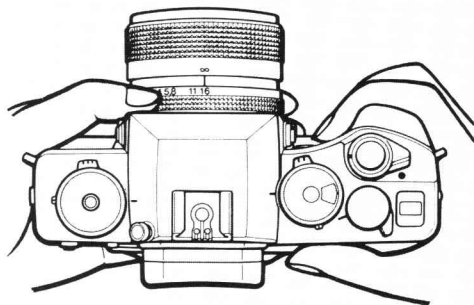
1 Set the exposure mode selector lever to “Av”.



2 Set the aperture and shoot.

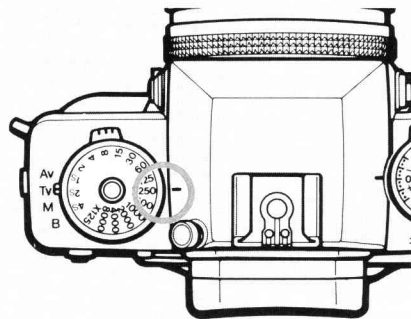
If you set the aperture with the lens' aperture ring, the camera will automatically set the shutter speed suited for it.

In the viewfinder, the aperture you have set and the shutter speed automatically set by the camera will turn on.



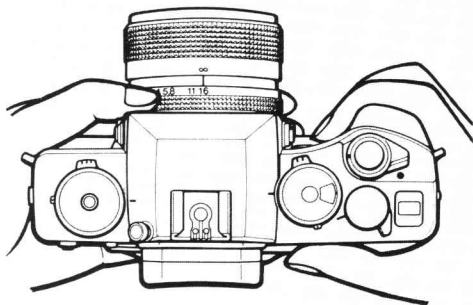
1 Set the lens aperture to the minimum aperture (green) and set the exposure mode selector lever to "Tv".

The minimum aperture on the aperture ring of MM type lenses is marked in green to show you that you should set the lens to it in the programmed auto exposure and shutter-speed-priority auto exposure modes.



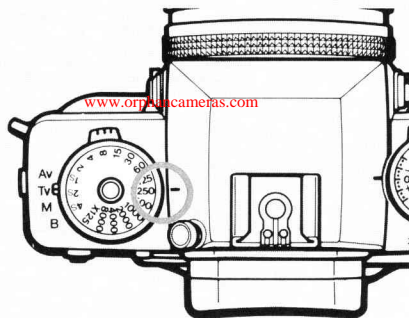
2 Set the shutter speed and shoot. If you set the shutter speed by turning the shutter speed dial, the camera will automatically set the aperture suited for it. In the viewfinder, the shutter speed you have set will blink and the aperture automatically set by the camera will turn on.

If the shutter speed you have selected cannot provide correct exposure because the aperture suited for it is beyond the lens' aperture range, the camera will automatically shift the shutter speed to always provide correct exposure. The shifted shutter speed will then turn on.



1 Set the lens aperture to the minimum aperture (green) and set the exposure mode selector lever to “Tv”.

The minimum aperture on the aperture ring of MM type lenses is marked in green to show you that you should set the lens to it in the programmed auto exposure and shutter-speed-priority auto exposure modes.



2 Set the shutter speed and shoot.

If you set the shutter speed by turning the shutter speed dial, the camera will automatically set the aperture suited for it.

In the viewfinder, the shutter speed you have set will blink and the aperture automatically set by the camera will turn on.

If the shutter speed you have selected cannot provide correct exposure because the aperture suited for it is beyond the lens' aperture range, the camera will automatically shift the shutter speed to always provide correct exposure. The shifted shutter speed will then turn on.

● If the correct shutter speed is faster than that you have selected, the aperture will blink. Make sure the lens is set at its minimum aperture.

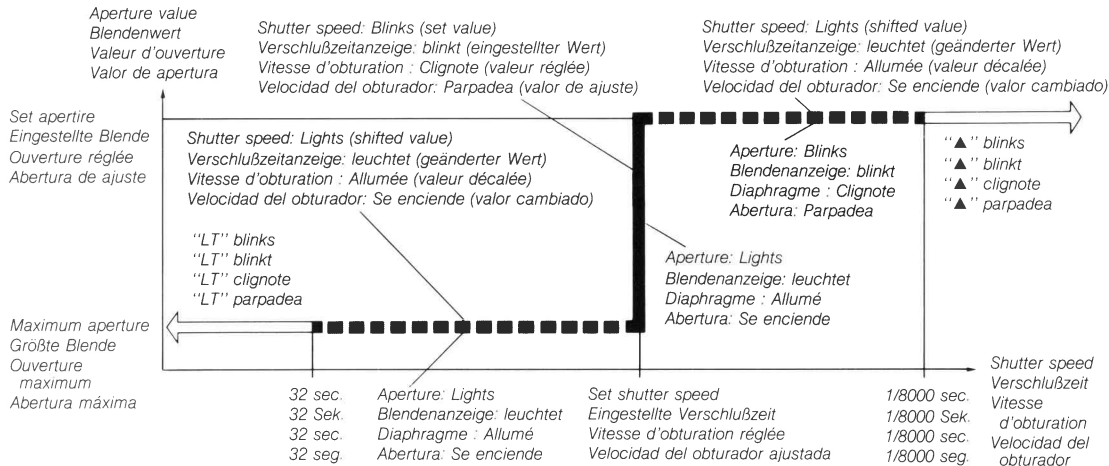
● If an MM type lens is set to an aperture that is not its minimum aperture, the camera will automatically choose an appropriate aperture between the maximum aperture and the aperture being set.

Shutter speed shift and warning in the shutter-speed-priority auto exposure mode

Änderung der Verschlusszeit und Warnung bei Belichtungsautomatik mit Verschlusszeitenvorwahl

Décalage de vitesse d'obturation et avertissement dans le mode d'exposition automatique à priorité à la vitesse

Cambio de velocidad del obturador y advertencia en el modo de exposición automática con prioridad de velocidad del obturador.



- Falls die richtige Verschußzeit kürzer ist als die von Ihnen eingestellte Verschußzeit, blinkt die Anzeige des Blendenwertes. Vergewissern Sie sich in einem solchen Fall, daß das Objektiv auf den kleinsten Blendenwert eingestellt ist.


- Wenn ein Objektiv mit MM-Anschluß auf einen anderen als den Minimal-Blendenwert eingestellt ist, wählt die Kamera automatisch den richtigen Wert zwischen der größten zur Verfügung stehenden und der eingestellten Blende.


- Si la vitesse d'obturation correcte est plus rapide que la vitesse sélectionnée, le diaphragme clignotera. Assurez-vous que l'objectif est réglé sur son ouverture minimum.


- Si un objectif de type MM est réglé sur une ouverture qui n'est pas son ouverture minimum, l'appareil choisira automatiquement une ouverture appropriée entre l'ouverture maximum et l'ouverture réglée.

- Si la velocidad del obturador correcta es más rápida que la que usted ha seleccionado, la abertura parpadeará. Asegúrese de que el objetivo está ajustado a su abertura mínima.

- Si se ajusta un objetivo del tipo MM a una abertura que no sea la abertura mínima, la cámara escogerá automáticamente una abertura apropiada entre la abertura máxima y la abertura que se ha ajustado.

 : Shows the controllable range with the set shutter speed.
 : Zeigt den mit der eingestellten Verschußzeit steuerbaren Bereich.
 : Indique la plage contrôlable avec la vitesse d'obturation réglée.
 : Muestra el margen controlable con la velocidad del obturador ajustada.

 : Shows the controllable range with the shifted shutter speed.
 : Zeigt den mit der geänderten Verschußzeit steuerbaren Bereich.
 : Indique la plage contrôlable avec la vitesse d'obturation décalée.
 : Muestra el margen controlable con la velocidad del obturador cambiada.

 : Shows the range out of control (warning area)
 : Zeigt den Bereich, der nicht gesteuert werden kann (Warnbereich).
 : Indique la plage non contrôlable (zone d'avertissement).
 : Muestra el margen fuera de control (área de advertencia).

< Over/Underexposure Warning in Auto Exposure >

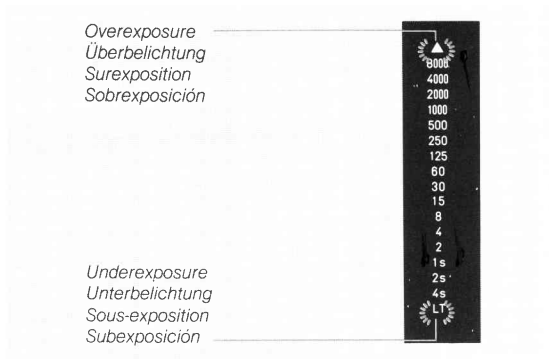
Overexposure warning

If the mark "▲" blinks in the shutter speed scale on the right edge of the viewfinder, it means overexposure. Because the subject is too bright, readjust the aperture so that any speed indicator turns on with steady light. It is also possible to reduce the light intensity with an optional ND filter.

Underexposure warning

If "LT" blinks on the shutter speed scale, it means underexposure. Because the subject is too dark, use an additional light to brighten up the subject or change the aperture so that "LT" stops blinking. Also, a dedicated flash unit will let you take correctly exposed pictures.

- Even when an over- or underexposure warning appears, you can take pictures by depressing the shutter release.



< Cautions on Use of Accessories >

If you use a lens with its maximum aperture smaller than F5.6 or an accessory with which the lens' automatic diaphragm does not operate (Auto Bellows PC, Microscope Adapter, Extension Ring 7.5mm, Reverse Adapter, etc.), be careful about the following things:

- ① Though the aperture displayed in the viewfinder is fixed at "1.4", the camera's light metering system will operate properly.
- ② Shutter-speed-priority auto exposure is not possible. Take pictures by using aperture-priority auto exposure or manual exposure.

< Using the Eyepiece Shutter >

If you are taking auto-exposure pictures (Av or Tv mode) with the self-timer or remote control system, the exposure may be affected by extraneous light entering through the viewfinder eyepiece because you remove your face from the eyepiece. In this case, block the eyepiece with the eyepiece shutter or use the AE lock.

< Hinweise zum Gebrauch von Kamerazubehör >

Die folgenden Hinweise sind bei Verwendung eines Objektivs mit einer Lichtstärke unter f/5,6 oder anderen Kamerazubehörs zu beachten, das mit der automatischen Blendenübertragung der Kamera nicht kompatibel ist (Auto-Balgen PC, Mikroskopadapter, Zwischenring 7,5 mm, Umkehring usw.):

- ① Die Blendenanzeige im Sucher zeigt stets "1.4", doch die Meßfunktion arbeitet normal.
- ② Bei Gebrauch dieses Zubehörs sind keine Aufnahmen mit Verschlusszeitenvorwahl-Belichtungsautomatik möglich. Verwenden Sie statt dessen die Betriebsarten Belichtungsautomatik mit Blendenvorwahl oder manuelle Belichtung.

< Gebrauch des Okularschutzes >

Wenn Aufnahmen mit Belichtungsautomatik (Av oder Tv) über Selbst- oder Fernauslöser gemacht werden, wird die Belichtung durch Streulicht beeinträchtigt, das durch das Sucherokular eintritt, wenn Sie Ihr Gesicht wegbewegen. In einem solchen Fall empfiehlt es sich, das Okular mit dem mit der Kamera gelieferten Okularschutz zu blockieren oder die AE-Verriegelung zu verwenden.

Free Manuals Download Website

<http://myh66.com>

<http://usermanuals.us>

<http://www.somanuals.com>

<http://www.4manuals.cc>

<http://www.manual-lib.com>

<http://www.404manual.com>

<http://www.luxmanual.com>

<http://aubethermostatmanual.com>

Golf course search by state

<http://golfingnear.com>

Email search by domain

<http://emailbydomain.com>

Auto manuals search

<http://auto.somanuals.com>

TV manuals search

<http://tv.somanuals.com>