



User Manual

Model: KU33116



**WARNING:** To reduce the risk of fire, electric shock or personal injury:

- a) Do not use this Fan with any solid-state speed control device.
- b) Unplug Fan before cleaning or servicing.
- c) If you disassemble your Fan, completely reassemble before plugging into outlet.
- d) To reduce the risk of electric shock and injury to persons, do not use in window.

**PLEASE READ AND SAVE THESE IMPORTANT INSTRUCTIONS**

This fan is for residential use only. It is not intended to be used in commercial or industrial settings.

# 16" AIR CIRCULATOR FLOOR FAN

# VENTILADOR DE PISO DE 40 CM



Manual de Uso  
Modelo: KU33116



**LEA Y CONSERVE ESTAS INSTRUCCIONES IMPORTANTES**

Este ventilador es para uso residencial solamente. No está destinado a ser utilizado en entornos comerciales o industriales.

**ADVERTENCIA:** Para reducir el riesgo de incendio, choque eléctrico o lesiones personales:

- a) No use este ventilador con un sólido dispositivo de control de velocidad de estado.
- b) Desenchufe el ventilador antes de la limpieza o mantenimiento.
- c) Si desarma el ventilador completamente arme antes de enchufar.
- d) Para reducir el riesgo de descarga eléctrica y lesiones a personas, no utilice en la ventana.

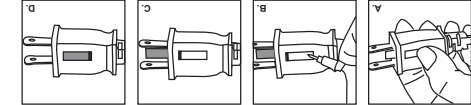


## INSTRUCCIONES DE REPARACIÓN PARA EL USUARIO

o la falta de experiencia y el conocimiento, a menos que hayan habido la supervisión o instrucción.  
Se requiere supervisión cercana cuando el aparato sea usado por/ o cerca de niños. Los niños están supervisados por no jugar con el aparato.

**ADVERTENCIA:** Para reducir el riesgo de incendio o electrocución, absténgase de usar este ventilador con un dispositivo de control de velocidad de estado sólido. Para minimizar el riesgo de incendio, electrocución y lesiones personales, absténgase de usar este ventilador en una ventana.  
Este producto posee protección contra sobrecargas (fusible). Un fusible quemado indica que se ha producido una sobrecarga o un cortocircuito. Si el fusible se quema, desconecte el producto del tomacorriente. Reemplace el fusible de acuerdo a las instrucciones de reparación para el usuario (tenga en cuenta las indicaciones del producto para obtener información sobre el valor correspondiente del fusible) y verifique el producto. Si el fusible de repuesto se quema, es posible que ocurra un cortocircuito. En ese caso, el producto debe desenchufarse o ser devuelto a un representante de servicio autorizado para que examine o repare el producto.

Use este ventilador solamente como se indica en este manual. Otros usos no recomendados pueden causar incendio o cortocircuito.  
Este producto está destinado para USO DOMESTICO ÚNICAMENTE y no para uso industrial y comercial o uso exterior.  
Para proteger contra corto circuito, no coloque el ventilador en la ventana, no immerja la unidad el enchufe o cable en agua, ni rocíe con líquidos. Desenchufe el ventilador de la toma corriente cuando no este en uso, cuando traslade el ventilador de un lugar a otro, y antes de limpiarlo.  
No opere el ventilador en presencia de explosivos y/o humos inflamables.  
No coloque el ventilador ni cualquier parte cerca de flama, estufa u otro aparato de calentamiento. Evite el contacto con las partes del ventilador móviles. Para desconectar, agarre el enchufe y jalelo de la toma corriente. Nunca jale bruscamente el cable. El uso de accesorios no recomendados pueden causar daños. Siempre use el ventilador sobre una superficie seca. No opere si la cubierta del ventilador esta quitada o dañada.  
No utilice ningún ventilador que tenga el cable o el enchufe dañados. Deschufe el ventilador o devuelvalo a un representante de servicio autorizado para que examine el producto.  
No coloque el cable debajo de una alfombra. No cubra el cable con alfombras, tapetes u otros cobertores similares. Coloque el cable de manera que quede alejado de zonas transitadas o donde pueda ocasionar tropiezos.  
El aparato no debe ser utilizado por niños o personas con la reducción física, sensorial o mental capacidades.



Riesgo de incendio. No reemplace el enchufe. Contiene un dispositivo de seguridad (fusible) que no debe quitarse. Deschufe el producto si el enchufe está dañado

## COMO USAR

Coloque el ventilador sobre una superficie seca.  
Para operar el ventilador, gire el botón eléctrico a la velocidad deseada. BAJO(1), MED(2), ALTO(3).  
Ajuste el ventilador al ángulo deseado moviendo la cabeza del ventilador hacia arriba o hacia abajo.

## LIMPieza

Aségurese de que el ventilador está en la posición OFF. Desenchufe el ventilador antes de limpiarlo. Use solamente un paño suave húmedo para limpiar delicadamente el ventilador. NO sumerja el ventilador en agua y nunca deje que el agua se filtre en la carcasa de motor. NO use gasolina, solvente para pintura ni otros productos químicos para limpiar el ventilador.



Para acceder a las pletas del ventilador, remueva la rejilla frontal y el tornillo de fijación.

Limpie las pletas y las rejillas frontal y posterior del ventilador con un trapo suave húmedo. Vuélva a colocar las pletas, apriete el tornillo de seguridad y coloque firmemente la rejilla delantera.

## INSTRUCCIONES IMPORTANTES

Lea y guarde estas importantes instrucciones de seguridad antes de usar este ventilador. Cuando use aparatos eléctricos, las precauciones de seguridad básicas deberán siempre seguirse, incluyendo las siguientes:

• Close supervision is necessary when any appliance is used by or near children. Children being supervised not to play with the appliance.  
• The appliance is not to be used by children or persons with reduced physical, sensory or mental capabilities, or lack of experience and knowledge, unless they have been given supervision or instruction.  
• Do not run cord under carpeting. Do not cover cord with throw rugs, runners, or similar coverings. Do not route cord under furniture or appliances. Arrange cord away from traffic area and where it will not be tripped over.  
• Do not operate any fan with a damaged cord or plug. Discard fan or return to an authorized service facility for examination and/or repair.  
• Always use on a dry, level surface.  
• The use of attachments is not recommended and may cause hazards.  
• Do not operate the fan in the presence of explosive and/or flammable fumes.  
• Do not operate the fan in the presence of explosive and/or flammable fumes.  
• Do not place the fan or any parts near an open flame, cooking or other heating appliance.  
• To disconnect, grip the plug and pull it from the wall outlet. Never yank the cord.  
• Avoid contact with moving fan parts.  
• To protect against electrical shock, do not place fan in window, immerse unit, plug or cord in water, or spray with liquids.  
• Unplug the fan from the outlet when not in use, when moving fan from one location to another and before cleaning.  
• Use this fan only as described in this manual. Other uses not recommended may cause fire or electric shock.

• Read and save these important safety instructions before using this fan, when using electrical appliances, basic safety precautions should always be followed including the following:  
**WARNING** - To reduce the risk of fire or electrical shock, do not use this product with any solid state speed control device. To reduce the risk of fire or electric shock and injury to persons, do not use in a window.  
This product employs overload protection (fuse). A blown fuse indicates an overload or short-circuit situation. If the fuse blows, unplug the product from the outlet. Replace the fuse as per the user service instructions (follow marking for proper fuse rating) and check the product. If the replacement fuse blows, a short-circuit may be present and the product should be discarded or returned to an authorized service facility for examination and/or repair.  
This product is intended for HOUSEHOLD USE ONLY and not for commercial, industrial or outside use.  
• To protect against electrical shock, do not place fan in window, immerse unit, plug or cord in water, or spray with liquids.  
• Unplug the fan from the outlet when not in use, when moving fan from one location to another and before cleaning.  
• Do not operate the fan in the presence of explosive and/or flammable fumes.  
• Do not place the fan or any parts near an open flame, cooking or other heating appliance.  
• Avoid contact with moving fan parts.  
• To disconnect, grip the plug and pull it from the wall outlet. Never yank the cord.  
• The use of attachments is not recommended and may cause hazards.  
• Always use on a dry, level surface.  
• The use of attachments is not recommended and may cause hazards.  
• Do not operate if the fan housing is removed or damaged.  
• Do not operate any fan with a damaged cord or plug. Discard fan or return to an authorized service facility for examination and/or repair.  
• Do not run cord under carpeting. Do not cover cord with throw rugs, runners, or similar coverings. Do not route cord under furniture or appliances. Arrange cord away from traffic area and where it will not be tripped over.  
• The appliance is not to be used by children or persons with reduced physical, sensory or mental capabilities, or lack of experience and knowledge, unless they have been given supervision or instruction.  
• Close supervision is necessary when any appliance is used by or near children. Children being supervised not to play with the appliance.

• El aparato no debe ser utilizado por niños o personas con la reducción física, sensorial o mental capacidades. Tropiezos.  
• No coloque el cable debajo de una alfombra. No cubra el cable con alfombras, tapetes u otros cobertores similares. Coloque el cable de manera que quede alejado de zonas transitadas o donde pueda ocasionar tropiezos.  
• El aparato no debe ser utilizado por niños o personas con la reducción física, sensorial o mental capacidades.

## IMPORTANT INSTRUCTIONS

Read and save these important safety instructions before using this fan, when using electrical appliances, basic safety precautions should always be followed including the following:

**WARNING** - To reduce the risk of fire or electrical shock, do not use this product with any solid state speed control device. To reduce the risk of fire or electric shock and injury to persons, do not use in a window.

This product employs overload protection (fuse). A blown fuse indicates an overload or short-circuit situation. If the fuse blows, unplug the product from the outlet. Replace the fuse as per the user service instructions (follow marking for proper fuse rating) and check the product. If the replacement fuse blows, a short-circuit may be present and the product should be discarded or returned to an authorized service facility for examination and/or repair.

This product is intended for HOUSEHOLD USE ONLY and not for commercial, industrial or outside use.

To protect against electrical shock, do not place fan in window, immerse unit, plug or cord in water, or spray with liquids.

Unplug the fan from the outlet when not in use, when moving fan from one location to another and before cleaning.

Do not operate the fan in the presence of explosive and/or flammable fumes.

Do not place the fan or any parts near an open flame, cooking or other heating appliance.

Avoid contact with moving fan parts.

To disconnect, grip the plug and pull it from the wall outlet. Never yank the cord.

The use of attachments is not recommended and may cause hazards.

Always use on a dry, level surface.

The use of attachments is not recommended and may cause hazards.

Do not operate if the fan housing is removed or damaged.

Do not operate any fan with a damaged cord or plug. Discard fan or return to an authorized service facility for examination and/or repair.

Do not run cord under carpeting. Do not cover cord with throw rugs, runners, or similar coverings. Do not route cord under furniture or appliances. Arrange cord away from traffic area and where it will not be tripped over.

The appliance is not to be used by children or persons with reduced physical, sensory or mental capabilities, or lack of experience and knowledge, unless they have been given supervision or instruction.

Close supervision is necessary when any appliance is used by or near children. Children being supervised not to play with the appliance.

## USER SERVICING INSTRUCTIONS

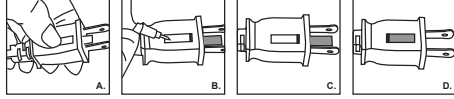
Grasp plug and remove from the receptacle or other outlet device. Do not unplug by pulling on cord.

(A) Open fuse cover by sliding access cover on top of attachment plug towards plug blades.

(B) Remove fuse carefully by gently pulling out the ends of the fuse from the receptacle. Risk of fire. Replace fuse only with 5 amp, 125 Volt fuse.

(C) Install replacement fuse by first placing the end of the fuse into the fuse receptacle which is opposite of the blades of the plug, then carefully push in the other end. Only push against the metal end of the fuse, not the glass center portion.

(D) Close fuse cover by sliding the cover back into the plug until it is completely closed and latches.



Risk of fire. Do not replace attachment plug. Contains a safety device (fuse) that should not be removed. Discard product if the attachment plug is damaged.

## HOW TO OPERATE

Set the fan on a level and dry surface.  
Plug the power cord into the socket. Making sure the speed control is at OFF position.

To operate the fan, rotate the switch knob to the desired speed Low(1), Med(2), High(3).



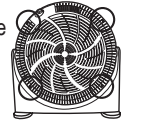
Adjust the fan to your desired angle by moving the head up or down.

## CLEANING

Be sure your fan is in the OFF position.  
Unplug the fan before cleaning.  
Use only a soft, damp cloth to gently wipe the fan.  
DO NOT immerse the fan in water and never allow water to enter the Motor Housing.  
DO NOT use gasoline, paint thinner or other chemicals to clean the fan.

## Removal of the Front Grill for Cleaning

To access the fan blade, remove the front grill and securing screw.



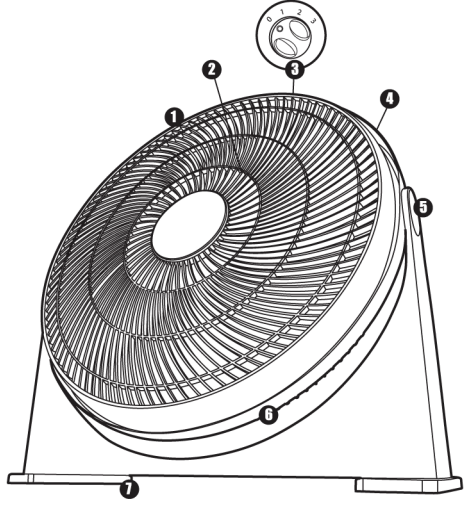
Clean the fan blade, front and rear grills with a soft, moist cloth.

Replace blade, tighten securing screw and securely fasten the front grill.

## STORAGE INSTRUCTIONS

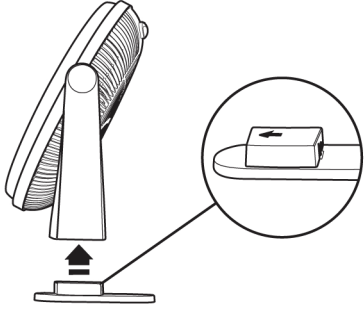
The product must be packaged in its original box for storage.

Place the fan in a storage room with low humidity. NOTE: If you experience a problem, please return the fan to the place of the original purchase or see your warranty. Do not attempt to open the motor housing yourself; doing so may void your warranty and cause damage to the fan or personal injury.



### DESCRIPTION OF PARTS

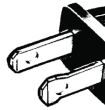
1. Removable Front Grille
2. Blade
3. Speed Selector Knob
4. Carry Handle
5. Tilt Axis
6. Rear Grille
7. Base



### THIS PRODUCT IS EQUIPPED WITH A POLARIZED PLUG

(a plug having one blade wider than the other). To reduce the risk of electric shock, this plug is intended to fit in a polarized outlet only one way. If the plug does not fit fully in the outlet, reverse the plug. If it still does not fit, contact a qualified electrician.

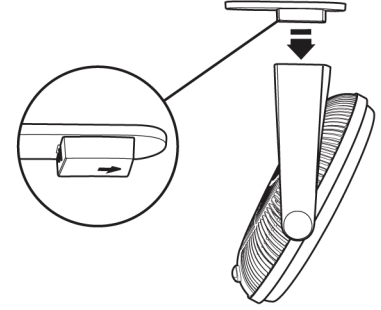
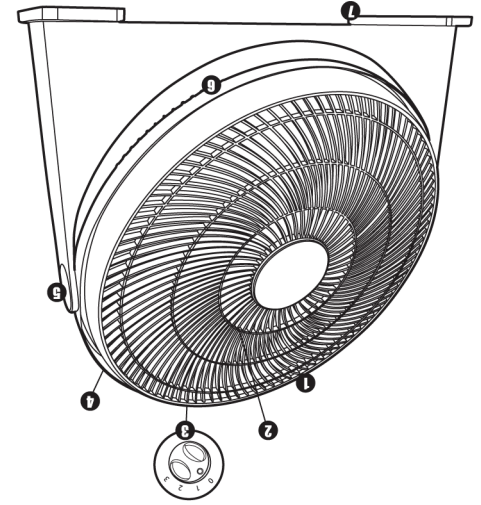
**DO NOT DEFEAT THE SAFETY PURPOSE OF THIS POLARIZED PLUG.**



El producto debe ser empaquetado en su caja original para su almacenamiento.  
Coloque el ventilador en una habitación de almacenamiento con poca humedad. NOTA: Si tiene algún problema, por favor devuelva el ventilador al lugar de la compra original o vea la garantía. No intente abrir la carcasa del motor usted mismo ya que podría anular la garantía y causar daños al ventilador o lesiones personales.

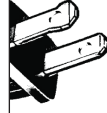
### DESCRIPCIÓN DE LAS PARTES

1. Parrilla frontal de seguridad
2. Aspas
3. Selector de velocidad
4. Asa para fácil transporte
5. Eje de inclinación
6. Parrilla de seguridad trasera
7. Base



### ESTE PRODUCTO ESTÁ EQUIPADO CON UN ENCHUFE POLARIZADO

(un enchufe que tiene una pata más ancha que la otra). Para reducir el riesgo de descarga eléctrica, este enchufe está diseñado para encajar en un tomacorriente polarizado de una sola manera. Si el enchufe no encaja completamente en el tomacorriente, invierta el enchufe. Si aún así no encaja, póngase en contacto con un electricista calificado.



## Free Manuals Download Website

<http://myh66.com>

<http://usermanuals.us>

<http://www.somanuals.com>

<http://www.4manuals.cc>

<http://www.manual-lib.com>

<http://www.404manual.com>

<http://www.luxmanual.com>

<http://aubethermostatmanual.com>

Golf course search by state

<http://golfingnear.com>

Email search by domain

<http://emailbydomain.com>

Auto manuals search

<http://auto.somanuals.com>

TV manuals search

<http://tv.somanuals.com>