

# Continental

## Refrigerator

### FRONT BREATHER WORKTOP FREEZERS WITH 6" BACKSPLASH



SWF48-BS-FB

#### Models Available

- SWF27-BS-FB
- SWF32-BS-FB
- SWF36-BS-FB
- SWF48-BS-FB
- SWF60-BS-FB

#### Standard Features

- Unique Field Assembled, Bottom Mounted Ventilation System Designed To Allow Cabinets To Be Flush Against A Wall Or Built Into A Counter To Conserve Space
- Modern, State-of-the Art Styling
- Performance Rated Refrigeration System Utilizing Environmentally Safe R-404A Refrigerant
- Unique Airflow Distribution Keeps Product at Uniformly Constant Temperatures
- Easily Serviceable Back Mounted Compressor
- 2" Non-CFC Polyurethane Foam Insulation
- Spring Loaded, Self Closing Door
- Magnetic Snap-In Gasket
- 3<sup>5</sup>/<sub>8</sub>" Casters
- Heavy-Duty, Epoxy-Coated Steel Shelves
- Interior Hanging Thermometer
- Cabinet Construction Consisting of Stainless Steel Front & Top, Aluminum End Panels, Case Back & Interior
- Non-Corrosive, Plasticized Fin Evaporator Coil
- Completely Enclosed, Vented & Removable Case Back
- Automatic, Energy Saving, Non-Electric Condensate Disposal
- Automatic Electric Defrost
- 10 ft Cord and Plug Attached

#### Optional Features & Accessories

- Remote Models-R
- Stainless Steel End Panels-SA Models
- Stainless Steel Interior & Exterior-SS Models
- Electric Condensate
- Additional Shelves
- Single Over Shelf
- Double Over Shelf
- Door Locks

Utilizing Environmentally Safe, CFC-free R-404A Refrigerant



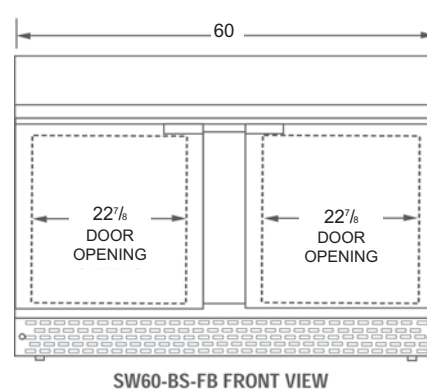
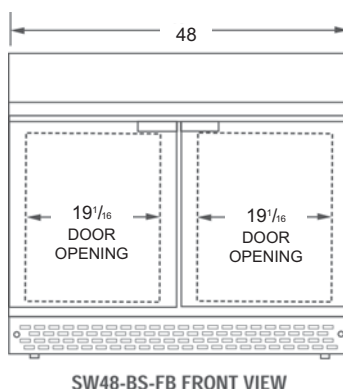
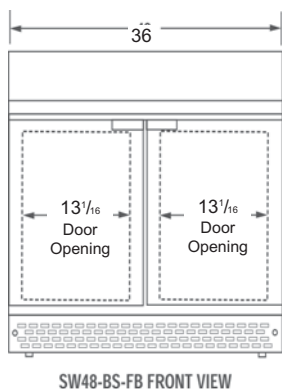
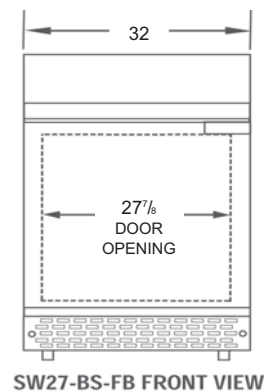
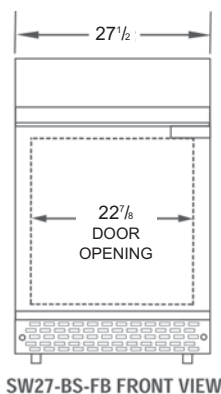
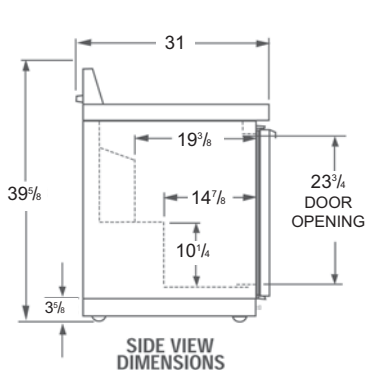
## FRONT BREATHER WORKTOP FREEZERS

### SPECIFICATIONS

SWF27-BS-FB    SWF32-BS-FB    SWF36-BS-FB    SWF48-BS-FB    SWF60-BS-FB

#### DIMENSIONAL DATA

Net Capacity (cu. ft.)	7.4	9.0	10.3	13.4	17.0
Width, Overall (in.)	27½	32	36	48	60
Depth, Overall (incl. Hdls.) (in.)	30	30	30	30	30
Depth, Body Only (Less Door(s))(in.)	27½	27½	27½	27½	27½
Height (incl. 3⅝" casters) (in.)	39⅝	39⅝	39⅝	39⅝	39⅝
Shelf Area (sq. ft.)	3.5	3.9	4.6	6.8	8.1
No. of Shelves	1	1	2	2	2
No. of Doors	1	1	2	2	2
Interior Depth (in.)	20	20	20	20	20
Interior Height (in.)	26¼	26¼	26¼	26¼	26¼
Interior Width (in.)	24½	28	32	44	56
Condensing Unit Size (H.P.)	¼	⅓	⅓	⅓	⅓
Cabinet Electrical	115/60/1	115/60/1	115/60/1	115/60/1	115/60/1
Amps	5.9	7.6	7.6	7.6	7.8
Fans	1	2	2	2	2
Shipping Weight (lbs.)	165	185	225	248	284
Shipping Height (in.)	43¼	43¼	43¼	43¼	43¼
Shipping Length (in.)	35¾	39	43	55	68¼
Shipping Depth (in.)	37¼	37¼	37¼	37¼	37¼



Continental

Refrigerator

A Division of National Refrigeration & A/C Products, Inc.  
 539 Dunksferry Road Bensalem, PA 19020  
 (800) 523-7138 Fax: (215) 244-9579  
[www.continentalrefrigerator.com](http://www.continentalrefrigerator.com)

FWKTPFB607

## Free Manuals Download Website

<http://myh66.com>

<http://usermanuals.us>

<http://www.somanuals.com>

<http://www.4manuals.cc>

<http://www.manual-lib.com>

<http://www.404manual.com>

<http://www.luxmanual.com>

<http://aubethermostatmanual.com>

Golf course search by state

<http://golfingnear.com>

Email search by domain

<http://emailbydomain.com>

Auto manuals search

<http://auto.somanuals.com>

TV manuals search

<http://tv.somanuals.com>