

Continental[®]
Platinum

Toaster Oven



INSTRUCTION MANUAL

**MODEL:
CP43579**

INTRODUCTION

Welcome to the quality of CONTINENTAL PLATINUM OVEN appliances. This Toaster/Oven/Broiler is designed to give you versatile service.

Please read all instructions before you use this appliance these instructions will provide all the information needed for enjoyable safe operation.

We have included a multi-use pan which will reduce cleaning of the Toaster/Oven/Broiler and removal of cooked food. Also, we provide a Timer (up to 30 minutes) that is used as the on/off switch for all functions-toasting, broiling, and baking as desired. However, if more than 30 minutes cooking time is required for baking or broiling, the convenient“continuous on” position acts as the on/off switch.

Our intent is make your life easy by providing a safe reliable product at outstanding value . Enjoy it.

IMPORTANT SAFEGUARDS

When using this electrical appliance, these basic safety precaution should always be followed:

1. Read all the instructions and save them for reference.
2. To protect against any electrical hazards, DO NOT place unit or cord in water or any other liquids.
3. DO NOT touch any hot surfaces. Use oven mitts for removing or touching any hot parts. Always place Toaster/Oven/Broiler on heat protected surface.
4. Close supervision is always necessary when this appliance is used by or near children.
5. LEAVE about 6-8 inches open space all around the exterior of this appliance. Place the appliance on a dry, horizontal surface.
6. UNPLUG the unit when not in use and before cleaning. Always allow to cook before attaching or removing any parts.
7. Do not use any accessories other than the ones provided with this product.
8. Always pull the plug out from the wall-never pull the cord. Remove the plug from the wall before moving the appliance .Use both hands to move the appliance.
9. Do not let cord hang over the edge of surfaces. DO NOT place on an unstable table, cloth covered or hot surface.
10. DO NOT place the Toaster/Oven/Broiler an oven or near a hot flame ot electric burner.
11. DO NOT operate this appliance if the cord or plug is damaged, if the unit malfunctions or is damaged in any way. Return it to the store for service.
12. DO NOT use this appliance outdoors.(This item may be omitted if the produce is specially intended for outdoor use.
13. USE this appliance only for its intended use and USE EXTREME CAUTION when removing the multi-use pan, as it may contain hot grease.
14. To reduce the hazard of potential shock, this appliance has a polarized plug(one blade wider than the other),which will fit only one way in a polarized wall outlet. If the plug does not fit, contact an extension cord unless it fits properly. DO NOT ATTEMPT to defeat this safety feature.
15. CAUTION:A short power supply cord is provided to reduce the risks resulting

2 Continental Platinum

from tripping over or becoming entangled in a longer cord. Extension cords may be used only if the electrical rating is as great as the electrical rating of this appliance and not less than 10 amperes, 220 volts. If an extension cord is used, it should be arranged so that it will not drape over the counter or tabletop where it can be reached by children or tripped over.

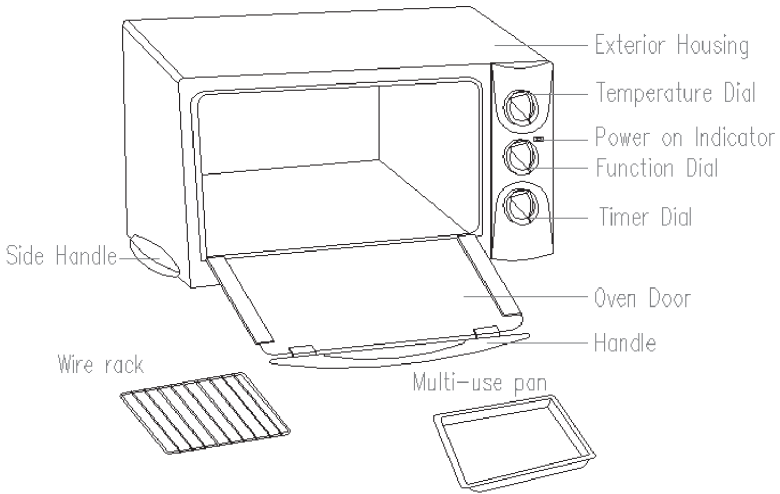
16. Only if the electrical rating is as great as the electrical rating of this appliance and not less than 10 amperes, 220 volts. If an extension cord is used, it should be arranged so that it will not drape over the counter or tabletop where it can be reached by children or tripped over.
17. **ELECTRIC POWER:** If the electric circuit is overloaded with other appliances, this appliance may not operate properly. The Toaster/Oven/Broiler should be operated on a separate electrical circuit from other operating appliances.
18. Store only the accessories provided with this unit the oven. Do not store and other materials.
19. A fire may occur if the appliance is covered or touching flammable material, including curtains, draperies, walls, and the like, when in operation. Do not put any items on top of the appliance when in operation.
20. Do not place any cardboard, paper or plastic inside the oven.
21. In order to switch off this appliance, rotate the Timer Dial to "off" position and then remove plug from wall outlet .
22. All containers placed inside the oven must not be airtight. Also, they need to have enough room to allow for expansion of fluids.
23. Clean this appliance regularly as build-up of grease may a fire. Make sure that this appliance is not placed near curtains, drapery, or other flammable material.
24. In order to prevent accidental burns, always use the handle and knobs to operate this appliance. **DO NOT TOUCH ANY HOTSURFACES** such as the oven door, top or sides.
25. Stale toast, croutons, crackers may catch fire inside this appliance. Watch the toasting process carefully. We suggest selecting a light Setting for these types of food.
26. Use only a soapy damp rag to clean the glass on oven door-**DO NOT** use any sharp utensils as this may damage the glass and possibly cause breaking of the glass. **ALWAYW ALLOW THIS APPLIANCE TO COOKL BEFORE CLEANING.**
27. Extreme caution should be exercised when using containers constructed of other than metal or glass.
28. This appliance is intended for household use only and **NOT** for commercial or industrial use.
29. Oversize foods or metal utensils must not be inserted in toaster-oven an may cream a fire or risk of electric shock.
30. Do not cover crumb tray or any part of the oven with metal foil. This will cause overheating of the oven.
31. Extreme caution must be used when moving an appliance containing hot oil or other hot liquids.
32. Always with plug to appliance fist, then plug cord into the wall outlet. To disconnect, turn any control to"off"then remove the plug from wall outlet.
33. Do not use appliance for other then interested use.

- 34. Oversize foods or metal utensils must not be inserted in a toaster-oven as they may create a fire or risk of electric shock.
- 35. Do not clean with metal scouring pads. Pieces can break off the pad and touch electrical parts involving a risk of electric shock.

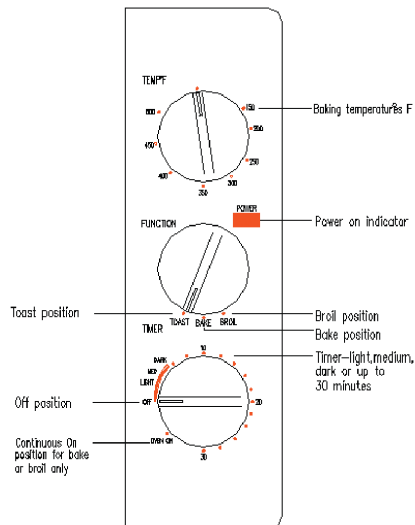
SAVE THESE INSTRUCTIONS

FOR HOUSEHOLD USE ONLY

Parts Description



Control Panel



4 Continental Platinum

Operating Instructions

Your Toaster/Oven/Broiler is equipped with all the options of a full-size oven in a countertop appliance; it toasts, bakes and broils.

NOTE: initial start up operation may result in minimal smell and smoke (about 30 min.). This is normal. It is due to the protective substance on heating elements which protects them from salt effects during shipping from factory.

Toasting

1. Open the Oven Door and place the bread on the Wire Rack up to 6 slices.

NOTE-The wire rack slides out when the door is opened.

–Remember to first remove the Multi-use Pan.

2. Rotate the Function Dial clockwise to “Toast”.
3. The Timer Dial is the on/off Switch.

Choose your Crust preference by adjusting the Timer Dial clockwise to select light, medium or dark. To test the toasting of your type of bread, we suggest to start at medium setting as bread varies according to humidity, thickness and texture. Each type of bread will toast differently according to these properties.

When the toast cycle is finished the bell will ring and the electrical power is automatically turned off

To stop the cycle at any time, turn the timer counterclockwise to “off” position and the bell will ring.

6 slices will be lighter than 1 slice-adjust Timer accordingly.

Place 1 slice of bread in center of wire rack,6 slices side by side

CAUTION: In this cycle both the top and bottom heating elements operate and glow red/orange.

Baking

Place the food on the Multi-use Pan and then place the pan on top of the Wire Rack in the oven. Close the oven door.

NOTE-We suggest to always preheat the oven at this setting before placing the food inside.

1. Rotate the Temperature Dial to the desired temperature.
2. Rotate the Function Dial clockwise to “Bake”.
3. The Timer Dial is the on/off switch.

After rotating the Temperature Dial to your desired temperature, then you must select the Timer Dial with the following options.

- a. For short time baking rotate the Timer Dial clockwise(up to 30 minutes).

At the sound of the bell the bake function will turn off automatically.

- b. For longer time baking, rotate the Timer Dial counter-clockwise to “on”

setting. The cooking will continue until the Timer Dial is manually turned to “off” position and the bell will sound.

CAUTION: In this cycle only the bottom heating elements operate.

NOTE-Always monitor the food at this setting to ensure that you are not overcooking.

Broiling-Top Brown

1. Place the food on the Multi-use pan and then place the pan on top of the Wire Rack in the oven. Close the oven door.
2. Rotate the Function Dial clockwise to “Broil”
3. The Timer Dial is the on/off switch.

After rotating the Temperature Dial to “Broil” position, select the Timer Dial with the following options.

- a. For short time broiling rotate the Timer Dial clockwise (up to 30 minutes). At the sound of the bell the broil function will automatically turn off.
- b. For longer time broiling, rotate the Timer Dial counter-clockwise to “on” setting. The cooking will continue until the Timer Dial is manually turned to “off” position and the bell will sound.

In this cycle only the upper heating elements operate.

NOTE-Always monitor the food at this setting to ensure to ensure that you are not overcooking.

We suggest to use the timer as food can burn quickly at this setting. When broiling turn food over cooking. Food should not be placed directly on the Wire Rack.

For Top Browning simply broil as long as desired. Do not allow the aluminum foil to touch the heating elements.

Do not preheat.

Slow Cook

1. Place the food on the Multi-use pan and then place the on top of the Wire Rack in the oven. Close the oven door.
2. Rotate the Temperature Dial clockwise between 200F-350F(90C-180C)position.
3. Rotate the Function Dial clockwise to “Bake”.
4. Rotate the Timer Dial counter-clockwise to “ON” position. The oven will remain on until the Timer Dial is manually rotated to “OFF” position.
5. This setting is useful for pot roasts etc requiring long cooking time.

Useful Tips

1. Condensation will appear on the oven door for some foods and then disappear. This is normal.
2. Cook food immediately after defrosting.
3. Frozen foods and thick meat will take longer to cook.
4. When defrosting, do not place food in layers-place as a single layer on Multi-use pan.
5. Avoid opening the Oven Door too frequently to prevent heat loss.
6. When toasting, frozen bread or many slices should be at a darker setting than 1 regular slice.
7. When broiling, smoke will likely appear. Removing excess fat prior to broiling can reduce this. Always use Multi-use pan.

Care and Cleaning

1. Before using your Toaster/Oven/Broiler, wash all of the accessories-Wire Rack, Multi-use pan, in hot water with detergent or soap.
2. Initial state up operation may result in minimal smell and smoke about 15 min.). This is normal. It is due to the protective substance on heating elements which protects them from salt effects during shipping from factory.
3. Always make sure that the appliance is unplugged and allow to cool before cleaning
4. The Wire Rack can be removed for easy cleaning.

Open the Oven Door and tilt upward slightly and pull the Wire Rack straight toward you until it slides out completely. Once the rack is removed , clean the interior with a damp cloth.

To replace the Wire Rack, open Oven Door and tilt upward slightly and slide the rack into the two rack grooves at either side of the oven chamber and push straight to the back of the chamber. Ensure the automatic door hooks are in correct position to push in the Wire Rack towards the rear of oven chamber. The exterior may be wiped with a damp cloth.

REMEMBER ,do not place the entire unit in water or any liquid .

DO NOT WIPE THE HEATING ELEMENTS- They are self cleaning!

5. Cleaning the Bottom of the Crumb Tray

-This appliance has a drop open crumb tray at the bottom of the baking chamber . First unplug this appliance and allow to cool .

-To clean out the crumbs , simply tilt the unit backwards and pull down on the "crumb drop on counter top.

Washing of the interior of the crumb tray is accomplished by placing

Unit on its back side and allow crumb tray to fall forward for easy cleaning

Continental Platinum 7

- DO NOT use the dishwasher to clean any of accessories which are included with this product .
- DO NOT use any abrasive cleaning products .
- CLEAN accessories with a soft cloth in hot water with liquid Detergent or soap .
- After cleaning ,close the access panel and check that it is locked securely into position .

CAUTION

- 1. TO PREVENT COUNTERTOP FROM BEING DAMAGED, THE TOASTER/OVEN/BROILER MUST BE OPERATED WITH THE CRUMB TRAY IN PLACE, SECURELY CLOSED AND CLEANED OF EXCESS FOOD.**
- 2. NEVER OPERATE YOUR TOASTER/OVEN/BROILER WITH THE OVEN DOOR OPEN.**
- 3. NEVER PUT THE MULTI-USE PAN(OR ANY OTHER ACCESSORY)DIRECTLY ON THE TOP OF THE LOWER HEATING ELEMENTS.**

Take Care

- *Always leave at least 1 inch between the top of food and the top heating elements .
- .
- *Remove all plastic and paper from food, TV Dinners, etc before Cooking .
- *Always use oven mitts to remove multi-use pan after cooking .

Continental®
Platinum

Horno Tostador



MANUAL DE INSTRUCCIONES

MODELO:
CP43579

INTRODUCCION

Bienvenido a la calidad de los electrodomésticos de CONTINENTAL PLATINUM. Este Tostador / Horno / Asador ha sido fabricado para ofrecerle una variedad de funciones.

Por favor lea todas las instrucciones antes de utilizar este electrodoméstico. Las instrucciones le ofrecerán toda la información necesaria para un funcionamiento adecuado y seguro.

El aparato incluye una bandeja multiusos que reducirá el tiempo de limpieza del Tostador / Horno / Asador y de retiro de los alimentos ya cocidos. Además, el aparato incluye un Temporizador (de hasta 30 minutos) que puede ser utilizado como un sistema de encendido y apagado para todas las funciones de tostado, asado y horneado según lo desee. Sin embargo, si se necesitará más de 30 minutos de tiempo de cocción para hornear o para asar, se puede utilizar la función de "encendido continuo" que funciona como sistema de encendido / apagado.

Nuestro propósito es hacerle la vida más fácil ofreciéndole un producto confiable y seguro a un valor inigualable. Disfrútelo.

PRECAUCIONES IMPORTANTES

A la hora de utilizar cualquier electrodoméstico, debe de seguirse las siguientes precauciones de seguridad básicas:

1. Lea todas las instrucciones y guárdelas para referencia en el futuro.
2. Con el fin de evitar situaciones de peligro con la electricidad, NO coloque el aparato ni el cordón en agua u otros líquidos.
3. NO toque las superficies calientes. Utilice manoplas o guantes para retirar o tocar cualquier parte caliente. Siempre coloque el Tostador / Horno / Asador sobre una superficie resistente al calor.
4. Tenga sumo cuidado si va utilizar el electrodoméstico en la presencia de niños.
5. DEJE aproximadamente de 6 a 8 pulgadas de espacio alrededor del electrodoméstico. Coloque el aparato sobre una superficie seca y horizontal.
6. DESENCHUFE el aparato cuando no lo vaya a utilizar y antes de limpiar. Deje enfriar antes de colocar o retirar piezas del aparato.
7. No utilice accesorios que no sean aquellos que vienen con el aparato.
8. Siempre desenchufe tirando del enchufe mismo y no del cordón. Desenchufe el aparato antes de trasladarlo. Utilice ambas manos para mover el electrodoméstico.
9. No permita que el cordón cuelgue del borde de ninguna superficie. NO coloque el aparato sobre una mesa inestable o cubierta con un mantel, o sobre una superficie caliente.
10. NO coloque el Tostador / Horno / Asador dentro de un horno o cerca de del fuego vivo o de un quemador.
11. NO utilice el electrodoméstico si el cordón o el enchufe se encuentran dañados, si el aparato presenta algún desperfecto o si ha sufrido algún tipo de daño. Llévelo al centro de servicios para que se le repare.
12. NO utilice el electrodoméstico al aire libre.

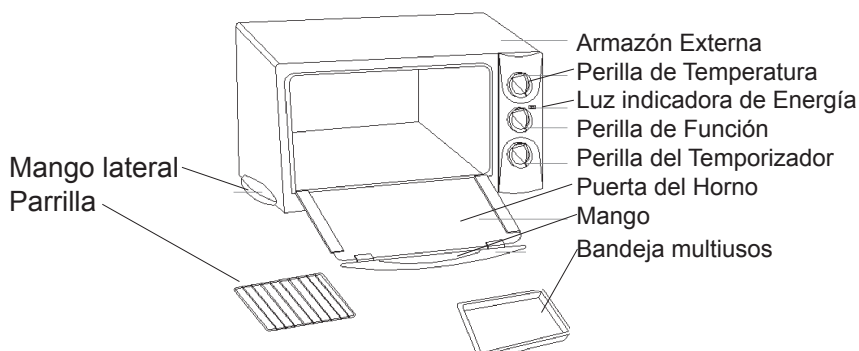
13. UTILICE este aparato sólo para los usos para los cuales ha sido fabricado y TENGA SUMO CUIDADO al retirar la bandeja multiusos, ya que puede contener aceite caliente.
14. Con el fin de reducir el riesgo de una descarga eléctrica, este aparato cuenta con enchufe polarizado (una extremidad es más ancha que la otra) el cual encaja en un tomacorriente polarizado de una sola forma. Si el enchufe no encajara, puede utilizarse un cable de extensión siempre y cuando el enchufe encaje adecuadamente. NO TRATE de eliminar esta medida de seguridad del enchufe.
15. PRECAUCIÓN: El aparato viene con un cordón de alimentación corto con el fin de reducir los riesgos de que alguien se tropiece o se enrede con un cordón más largo. Se puede utilizar un cable de extensión solamente si la capacidad eléctrica del cable es igual a la del electrodoméstico y no es menor a 10 Amperios, 220 voltios. Si se utiliza un cable de extensión, éste debe de colocarse de tal manera de que no cuelgue del repostero de cocina o de la mesa donde pueda ser alcanzado por los niños o donde alguien pueda tropezarse,
16. ENEGÍA ELÉCTRICA: Si se sobrecarga el circuito eléctrico con otros electrodomésticos, el aparato puede no funcionar adecuadamente. El Tostador / Horno / Asador debe de conectarse a un circuito eléctrico por separado de otros electrodomésticos.
17. Utilice sólo los accesorios que vienen con este aparato. No utilice otro tipo de aditamentos.
18. Puede producirse fuego si se cubre el electrodoméstico o si entra en contacto con algún material inflamable, por ejemplo cortinas, persianas paredes y cosas por el estilo. No coloque ningún tipo de objeto sobre el electrodoméstico mientras éste se encuentre funcionando.
19. No coloque ningún tipo de cartón, papel o plástico dentro del horno.
20. Para apagar el electrodoméstico, gire la perilla "Timer" a la posición de "off" y luego desconecte el enchufe del tomacorriente.
21. Cualquier envase o recipiente que se coloque dentro del horno no debe estar sellado herméticamente. Además, debe de contar con el suficiente espacio para permitir la expansión de líquidos.
22. Limpie el electrodoméstico regularmente ya que la acumulación de aceite o grasa puede ocasionar que se produzca fuego. Asegúrese de no colocar este aparato cerca de cortinas, persianas u otros materiales inflamables.
23. Con el fin de evitar quemaduras, utilice el mango y las perillas para hacer funcionar el aparato. NO TOQUE LAS SUPERFICIES CALIENTES , por ejemplo la puerta del horno, el techo o los costados.
24. Las tostadas o pan secos o galletas pueden prenderse fuego dentro del electrodoméstico. Vigile el proceso de tostado constantemente. Le sugerimos utilizar el nivel más bajo de tostado para este tipo de alimentos.
25. Utilice solo jabón para limpiar el vidrio de la puerta del horno. NO utilice utensilios afilados ya que éstos pueden dañar el vidrio y posiblemente romperlo. SIEMPRE PERMITA QUE EL ELECTRODOMÉSTICO SE ENFRÍE ANTES DE PROCEDER A LIMPIARLO.
26. Debe detenerse sumo cuidado a la hora de utilizar envases o recipientes que no sean hechos de metal o vidrio.
27. Este electrodoméstico es para uso doméstico solamente y NO para uso comercial o industrial.

28. No debe de utilizarse alimentos demasiado grandes o utensilios de metal dentro del horno tostador ya que puede producirse fuego o una descarga eléctrica.
29. No cubra la bandeja para migas ni ninguna otra parte del horno con papel aluminio. Esto puede causar que el horno se recaliente.
30. Debe de tenerse sumo cuidado a la hora de trasladar el electrodoméstico si éste contiene aceite caliente u otros líquidos calientes.
31. Siempre conecte el enchufe al aparato primero y luego al tomacorriente. Para desconectarlo gire la perilla a la posición de "off" y luego proceda a retirar el enchufe del tomacorriente.
32. No utilice este aparato para otros fines que no sea aquel para el cual ha sido diseñado.
33. No coloque alimentos demasiado grandes o utensilios de metal dentro del horno tostador ya que esto puede ocasionar que se produzca fuego o una descarga eléctrica.
34. No limpie el horno con una esponja de metal ya que pueden desprenderse partículas de la esponja y entrar en contacto con las partes eléctricas del horno y ocasionar una descarga eléctrica.

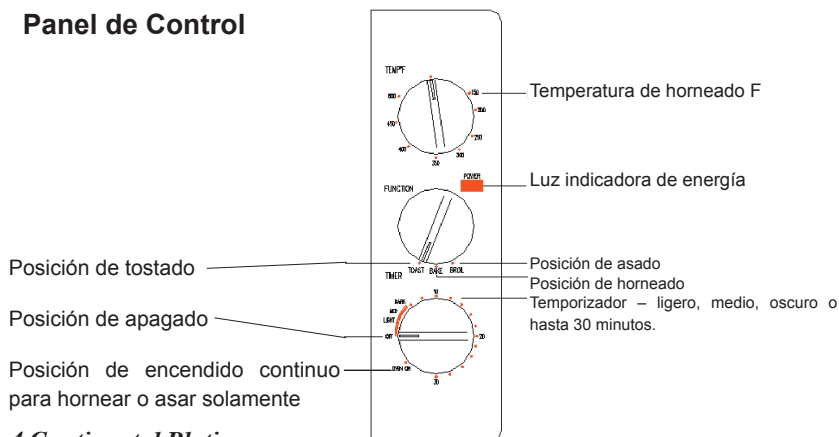
GUARDE ESTAS INSTRUCCIONES

SÓLO PARA USO DOMÉSTICO

Descripción de las partes



Panel de Control



4 Continental Platinum

Instrucciones de funcionamiento

El Tostador / Horno / Asador viene equipado con todas las funciones de un horno convencional de tamaño normal; sirve para tostar, hornear y asar.

NOTA: El primer uso del horno puede ocasionar un ligero olor y un poco de humo (aproximadamente 30 minutos). Esto es normal y se debe a las sustancias protectoras sobre los componentes de calentamiento o resistencias que los reviste para protegerlos de los efectos del salitre durante el transporte desde la fábrica.

Tostado

1. Abra la puerta del horno y coloque el pan sobre la parrilla hasta un máximo de 6 rebanadas.

NOTA - Se puede deslizar la parrilla hacia fuera cuando la puerta se encuentra abierta.

Recuerde que primero se debe de retirar la bandeja multiusos.

2. Gire la Perilla de Función en el sentido de las agujas del reloj a la posición "Toast" (tostar).
3. La Perilla del Temporizador funciona como botón de encendido.

Seleccione el nivel de tostado deseado girando la Perilla del Temporizador en el sentido de las agujas del reloj a la posición de tostado ligero, medio u oscuro. Para probar el nivel de tostado según el tipo de pan, sugerimos comenzar con el nivel medio ya que el pan varía de acuerdo a la humedad, grosor y textura. Cada tipo de pan se tostará de manera diferente de acuerdo a estas propiedades.

Cuando el ciclo de tostado haya terminado, sonará una campanilla y el aparato se apagará de manera automática.

Para detener el ciclo de tostado en cualquier momento, gire la perilla del temporizador en el sentido contrario a las agujas del reloj a la posición de "off" y la campanilla sonará.

El tostado de 6 rebanadas será más ligero o de color más claro que el de 1 sola rebanada. Regule la perilla del temporizador según el caso.

Coloque 1 rebanada de pan en el centro de la parrilla y 6 rebanadas repartidas en los dos costados.

PRECAUCIÓN: Durante este ciclo los componentes de calentamiento o resistencias, tanto la parte superior como inferior, se activan y se encienden de color rojo/naranja.

Horneado

Coloque los alimentos sobre la Bandeja Multiusos y luego coloque la bandeja encima de la Parrilla dentro del horno. Si a la puerta del horno.

NOTA – Sugerimos siempre recalentar el horno para esta función antes de colocar los alimentos.

1. Gire la Perilla de Temperatura al nivel de temperatura deseado.

2. Gire la Perilla de Función en el sentido de las agujas del reloj a la posición "Bake" (hornear).
3. La Perilla del Temporizador funciona como botón de encendido. Después de girar la Perilla del Temperatura al nivel deseado de temperatura, debe de seleccionarse la posición de la Perilla del Temporizador según las siguientes opciones.
 - a. Para un horneado de corta duración, gire la Perilla del Temporizador en el sentido de las agujas del reloj (hasta un máximo de 30 minutos).
Con el sonido de la campanilla, la función de horneado se apagará de manera automática.
 - b. Para un horneado de duración más larga, gire la Perilla del Temporizador en el sentido contrario a las agujas del reloj a la posición de "on". La cocción continuará hasta que la Perilla del Temporizador se coloque manualmente en la posición de "off" haciendo sonar la campanilla.

PRECAUCIÓN: Durante este ciclo, sólo los componentes de calentamiento o resistencias inferiores se activan.

NOTA - Siempre vigile la comida durante este proceso para asegurarse de que no se cueza demasiado.

Asado - Dorado por Encima

1. Coloque los alimentos sobre la Bandeja Multiusos y luego coloque la bandeja sobre la Parrilla dentro del horno. Cierra la puerta del horno.
2. Gire la Perilla de Función en el sentido de las agujas del reloj a la posición "Broil" (asar).
3. La Perilla del Temporizador funciona como botón encendido. Después de girar la Perilla de Temperatura a la posición de "Broil" (asar), coloque la Perilla del Temporizador según las siguientes opciones.
 - a. Para un asado de corta duración, gire la Perilla del Temporizador en el sentido de las agujas del reloj (hasta un máximo de 30 minutos).
Con el sonido de la campanilla, la función de asado se apagará de manera automática.
 - b. Para un asado de duración más larga, gire la Perilla del Temporizador en el sentido contrario a las agujas del reloj a la posición de "on". La cocción continuará hasta que la Perilla del Temporizador se coloque manualmente en la posición de "off" haciendo sonar la campanilla.

Durante este ciclo solamente los componentes de calentamiento o resistencias superiores se activarán.

NOTA - Siempre vigile la comida durante este ciclo para asegurarse de que no se cueza demasiado.

Sugerimos utilizar el temporizador ya que la comida puede quemarse rápidamente durante esta función. Durante el proceso de asado, déles vuelta a los alimentos. No debe de colocarse los alimentos directamente sobre la Parrilla. Para dorar los alimentos por encima simplemente ase durante el tiempo que sea necesario. No permita que el papel aluminio entre

en contacto con los componentes de calentamiento o resistencias.
No es necesario precalentar.

Cocción Lenta

1. Coloque los alimentos sobre la Bandeja Multiusos y luego coloque la bandeja sobre la Parrilla dentro del horno. Cierra la puerta del horno.
2. Gire la Perilla de Temperatura en el sentido de las agujas del reloj entre las posiciones de 200° F – 350° F (90° C – 180° C).
3. Gire la Perilla de Función en el sentido de las agujas del reloj a la posición “Bake” (hornear).
4. Gire la Perilla del Temporizador en el sentido contrario a las agujas del reloj a la posición “ON”. El horno permanecerá encendido hasta que la Perilla del Temporizador se gire manualmente a la posición “OFF”.
5. Esta función es muy útil para preparar guisos y alimentos similares que requieran algún tiempo de cocción más largo.

Consejos Prácticos

1. Puede aparecer cierta condensación en la puerta del horno en el caso de algunos tipos de alimentos que luego desaparecerá. Esto es normal.
2. Cocine los alimentos inmediatamente después de descongelarlos.
3. Los alimentos congelados y la carne muy gruesa tomarán más tiempo para cocerse.
4. Al momento de descongelar, no coloque los alimentos capa sobre capa. Coloque una sola capa a la vez sobre la Bandeja Multiusos.
5. Evite abrir la puerta del horno con frecuencia para evitar la pérdida de calor.
6. En el caso del tostado, el pan congelado o varias rebanadas de pan juntas deben de tostarse a un nivel más alto que 1 sola rebanada.
7. Al momento de asar, puede que se produzca algo de humo. Esto se puede reducir retirando el exceso de grasa de los alimentos antes de proceder a asar. Siempre utilice la Bandeja Multiusos.

Cuidado y Limpieza

1. Antes de utilizar su Tostador / Horno / Asador, lave todos los accesorios, Parrilla y Bandeja Multiusos con agua caliente y detergente o jabón.
2. El primer uso del aparato puede ocasionar que se produzca un ligero olor y humo durante unos 15 minutos. Esto es normal y se debe a las sustancias protectoras sobre los componentes de calentamiento que los revisten para protegerlos de los efectos del salitre durante el transporte desde la fábrica.
3. Asegúrese de que el electrodoméstico se encuentre desenchufado y deje que se enfríe antes de proceder a limpiar.
4. La Parrilla puede ser retirada para facilitar su limpieza. Abra la puerta del horno e incline hacia arriba ligeramente. Luego tire la parrilla hacia adelante hasta que se deslice y quede fuera completamente. Una vez retirada la parrilla, proceda a limpiar el interior con un paño

húmedo.

Para colocar la Parrilla de nuevo en su lugar, abra la puerta del horno e incline hacia arriba ligeramente deslizando la parrilla dentro de las dos ranuras en los costados del interior del horno. Empújela hacia dentro hasta el fondo del horno. Asegúrese que los ganchos de cerrado automático de la puerta queden en la posición correcta a la hora de empujar la parrilla hacia el fondo del horno. El exterior del horno puede limpiarse con un paño húmedo. RECUERDE, no sumerja el aparato por completo en agua u otro líquido.

NO LIMPIE LOS COMPONENTES DE CALENTAMIENTO - ¡Éstos se auto limpian!

5. Como limpiar la parte inferior de la bandeja para migas
 - Este electrodoméstico cuenta con una bandeja para migas o restos en la parte inferior de la cámara de horneado. Primero desenchufe el aparato y deje que enfríe.
 - Para limpiar las migas o restos, simplemente incline el aparato y deje que las migas de la bandeja caigan sobre la mesa o repostero. Se puede lavar el interior de la bandeja para migas deslizando la bandeja hacia fuera facilitando así su limpieza.
 - NO utilice la máquina lavavajillas para lavar ninguno de los accesorios que vienen incluidos con este producto.
 - LIMPIE los accesorios con un paño suave utilizando agua caliente y detergente líquido o jabón.
 - Después de limpiar, cierre el panel de acceso y verifique que quiere bien asegurado.

PRECAUCIÓN

1. **PARA EVITAR QUE EL REPOSTERO DE COCINA O MESA SE DAÑEN, SE DEBE DE UTILIZAR EL TOSTADOR / HORNO / ASADOR CON LA BANDEJA PARA MIGAS EN SU LUGAR BIEN CERRADA Y LIBRE DE ACUMULACIÓN DE COMIDA.**
2. **NUNCA UTILICE EL TOSTADOR / HORNO / ASADOR CON LA PUERTA DEL HORNO ABIERTA.**
3. **NUNCA COLOQUE LA BANDEJA MULTIUSOS (O ALGÚN OTRO ACCESORIO) DIRECTAMENTE ENCIMA DE LOS COMPONENTES DE CALENTAMIENTO INFERIORES.**

Cuidado

- Siempre deje por lo menos una pulgada entre la parte superior de los alimentos y los componentes de calentamiento superiores.
- Retire todo plástico o papel de los alimentos, cenas congeladas, etc. antes de proceder a cocerlos.
- Siempre utilice manoplas para retirar la bandeja multiusos después de terminar la cocción.

Free Manuals Download Website

<http://myh66.com>

<http://usermanuals.us>

<http://www.somanuals.com>

<http://www.4manuals.cc>

<http://www.manual-lib.com>

<http://www.404manual.com>

<http://www.luxmanual.com>

<http://aubethermostatmanual.com>

Golf course search by state

<http://golfingnear.com>

Email search by domain

<http://emailbydomain.com>

Auto manuals search

<http://auto.somanuals.com>

TV manuals search

<http://tv.somanuals.com>