



COOK

RCG / RCGH / RCA

Galvanized and Aluminum Roof Curbs INSTALLATION, OPERATION, AND MAINTENANCE MANUAL

This publication contains the installation instructions for galvanized and aluminum roof curbs. Hurricane roof curbs and lab exhaust roof curbs have special instructions.

Cook roof curbs are designed for use with Cook units. For uses other than the intended design, it is responsibility of the engineer of record to determine suitability of the roof curb.

All of the publications mentioned above can be obtained from Loren Cook Company by phoning 417.869.6474, extension 166; by FAX at 417.832.9431; or by e-mail at info@lorencook.com.

For information and instructions on special equipment, contact Loren Cook Company at 417.869.6474.

Receiving and Inspection

Immediately upon receipt of a RCG / RCGH / RCA unit, carefully inspect it for damage and shortage.

Record on the Delivery Receipt any visible sign of damage.

Handling

Lift the roof curb by strap through the center.

Storage

If the unit is stored for any length of time prior to installation, cover the curb to protect it from the elements. This includes covering the insulation, attenuators if applicable, and dampers. Curbs with liners need to be covered, as the liner is not weatherproof.

Moisture can get trapped in the insulation and cause mold.

Installation

CAUTION

The attachment of roof mounted fans to the roof curb as well as the attachment of roof curbs to the building structure must exceed the structural requirements based on the environmental loading derived from the applicable building code for the site. The local code official may require variations from the recognized code based on local data. The licensed engineer of record will be responsible for prescribing the correct attachment based on construction materials, code requirements and environmental effects specific to the installation.

Attachment methods vary depending on the job requirements and should be made per local code & / or local conditions, per the engineer of record.

When installing the roof curb, if the fan or gravity hood is to be installed at a later time, cover the curb to protect it from the elements. This includes covering the insulation, attenuators if applicable, and dampers. Curbs with liners need to be covered, as the liner is not weatherproof.

Moisture can get trapped in the insulation and cause mold.

Knockdown Curb Assembly Instructions:

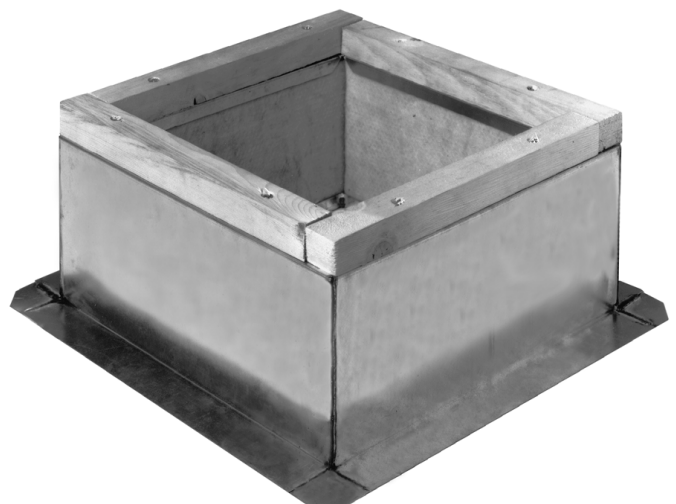
1. Place knockdown curb pieces on a flat surface with knockdown plates facing each other. Units with multiple splits will be identified near the knockdown plates. Be sure to match identification marks.

2. Secure knockdown plates together at each split location with bolts and nuts in all holes provided in knockdown plates. If curb comes with an angle brace, install the brace with the uppermost bolt and nut on the knockdown plates.

3. Caulk seams at all knockdown split locations. (See back page for drawing)

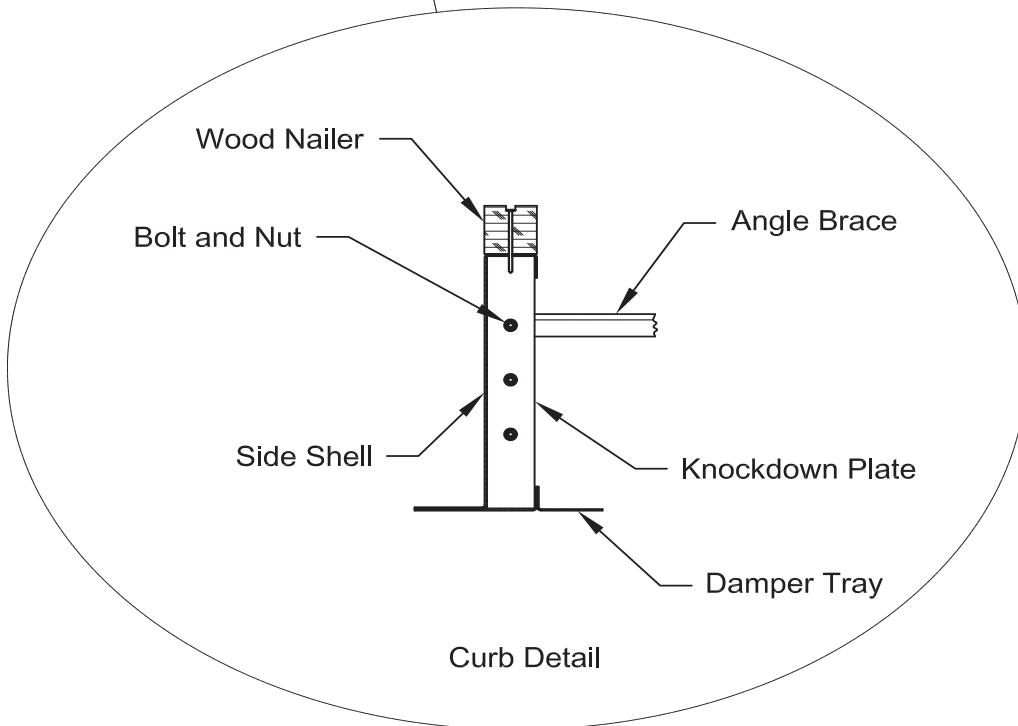
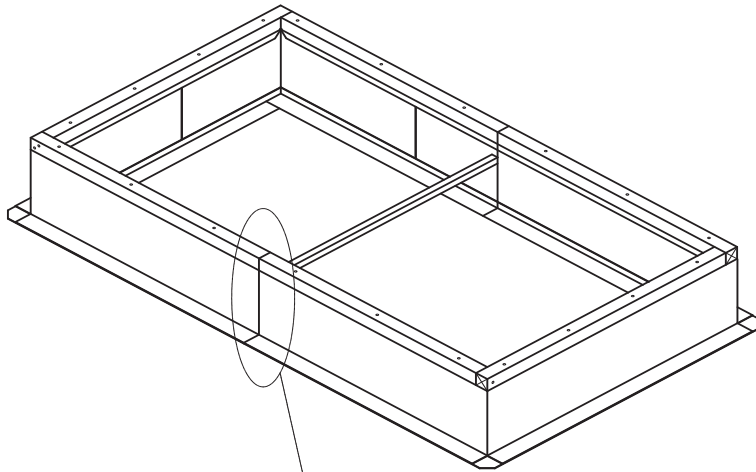
Maintenance

This roof curb does not require maintenance under normal use.



RCG / RCGH / RCA

Knockdown Curb Assembly



Limited Warranty

Loren Cook Company warrants that your Loren Cook fan was manufactured free of defects in materials and workmanship, to the extent stated herein. For a period of five (5) years after date of shipment, we will replace any parts found to be defective without charge, except for shipping costs which will be paid by you. This warranty is granted only to the original purchaser placing the fan in service. This warranty is void if the fan or any part thereof has been altered or modified from its original design or has been abused, misused, damaged or is in worn condition or if the fan has been used other than for the uses described in the company manual. This warranty does not cover defects resulting from normal wear and tear. To make a warranty claim, notify Loren Cook Company, General Offices, 2015 East Dale Street, Springfield, Missouri 65803-4637, explaining in writing, in detail, your complaint and referring to the specific model and serial numbers of your fan. Upon receipt by Loren Cook Company of your written complaint, you will be notified, within thirty (30) days of our receipt of your complaint, in writing, as to the manner in which your claim will be handled. If you are entitled to warranty relief, a warranty adjustment will be completed within sixty (60) business days of the receipt of your written complaint by Loren Cook Company. This warranty gives only the original purchaser placing the fan in service specifically the right. You may have other legal rights which vary from state to state.

LOREN COOK COMPANY

Corporate Offices: 2015 E. Dale Street Springfield, MO 65803 417.869.6474
lorencook.com

RCG / RCGH / RCA IOM - September 2010

Free Manuals Download Website

<http://myh66.com>

<http://usermanuals.us>

<http://www.somanuals.com>

<http://www.4manuals.cc>

<http://www.manual-lib.com>

<http://www.404manual.com>

<http://www.luxmanual.com>

<http://aubethermostatmanual.com>

Golf course search by state

<http://golfingnear.com>

Email search by domain

<http://emailbydomain.com>

Auto manuals search

<http://auto.somanuals.com>

TV manuals search

<http://tv.somanuals.com>