

DESCRIPTION

The 1215 Shallow Direct/Indirect High Performance Luminous Pendant features a Double Trim Ring (2TR) or a Traditional Trim Ring (TTR) and is available in three diameters with multiple mounting options.

SPECIFICATION FEATURES

Material/Mounting

Painted and plated cold rolled steel or natural aluminum with a matte white acrylic bowl.

Single Stem (Standard): 5/8" stem with a standard hang height of 28" (OA) for the 26" dia., 32" (OA) for the 36" dia. and 42" (OA) for the 44" dia. Minimum overall hang height is 18" (OA). Maximum overall hang height for one-piece stem assembly is 8' (OA). 9' to 30' (OA) stems are supplied in multiple sections and require field assembly. Supplied with a swivel canopy which will accommodate up to 45° adjustment.

Finish

Standard: Matte White (MW). Premium: Natural Aluminum (NA) [Sustainable Design], Satin Chrome (SC), Polished Chrome (PC), Satin Brass (SB), Polished Brass (PB), Oxidized Brass (OBRS), Lacquered Satin Aluminum (SAL), Satin Copper (SCP), Polished Copper (PCP), Oxidized Copper (OCP), Satin Nickel (SN), Polished Nickel (PN), Gun Metal (GNM), Lacquered Satin Chrome (SCL), Lacquered Satin Nickel (SNL) or Custom Color (CC). Regressed solid edge (between rings) will be satin finish with all polished finishes with the 2TR.

Custom Decorative Metals: (Specify a Color and Pattern) Colors - Clear (CLR), Cabernet (CBT), Sapphire (SPE), Sage (SGE), Brass (BRS), Copper (CPR), Black Pearl (BPL), Slate Green (SGN), Champagne (CMP), Chocolate (CLE), Indigo (IDO), Royal Blue (RBE), or Pewter (PWR). Patterns - Coral (COL), Seashell (SHL) or Smooth (SMT). Note: Select a standard or premium finish for the stem(s) and canopy. Example: SGE (Sage color finish) - SMT (Smooth pattern) - SC (Satin Chrome) stem(s) and canopy. Minimum quantity is 5 for one color/pattern. Contact factory for lead-time.

Optics

Dedicated CFL lamp optics with a "kick reflect" formed out of 94% reflective specular anodized aluminum. Three or four individual T6 metal halide or halogen dedicated optic systems. The main reflector is formed with 94% reflective specular anodized aluminum and the upper reflector is formed out of 94% reflective semi-specular anodized aluminum.

Ballast

Integral CFL electronic HPF, multi-volt 120/277V (347V Canada), thermally protected with end-of-life circuitry to accommodate the specified lamp wattage. Metal Halide ballast is electronic HPF, multi-volt (120V/277V) for the specified lamp wattage. 347V MH ballast - Contact factory.

Lamp/Socket

26" - Three (3) or six (6) 27W (2G11) high lumen CFL lamps, three (3) 32W(GX24q-3) or 42W (GX24q-4) 4-pin triple CFL lamps, or three (3) 39W or 70W T6 CDM metal halide lamps, or three (3) 150WT4 (DC Bay) clear linear halogen lamps. One (1) 22W (2GX13) T5 circular lamp (bowl illumination).
36" - Three (3) or six (6) 27W, 39W, 40W, 50W or 55W (2G11) high lumen CFL lamps, three (3) 32W (GX24q-3), 42W (GX24q-4) 4-pin triple or 57W (GX24q-5) or 70W (GX24q-6) 4-pin triple HO CFL lamps or three (3) 39W, 70W or 150WT6 CDM metal halide lamps or three (3) 150WT4 (DC Bay) clear linear halogen lamps. One (1) 40W (2GX13) T5 circular lamp (bowl illumination).
44" - Four (4) or eight (8) 27W, 39W, 40W, 50W or 55W (2G11) high lumen CFL lamps, four (4) 57W (GX24q-5) or 70W (GX24q-6) 4-pin triple HO CFL lamps or four (4) 70W or 150WT6 CDM metal halide lamps, or four (4) 150WT4 (DC Bay) clear linear halogen lamps. One (1) 40W (2GX13) T5 circular lamp (bowl illumination). CFL sockets injection molded plastic. Metal

Catalog #		Type
Project		
Comments		Date
Prepared by		

halide socket ceramic pulse-rated, 4KV. Lamps furnished by others.

Installation

Installation requires 1/4-20 UNC-2A AllThread rod. All Thread (supplied by others) through a standard J-box to an integral support canopy support system. The 1/4-20 UNC-2A All Thread rod must be attached to the building structure to support the fixture weight.

Options

Dimming Ballast - Except 27W, & DM bowl illumination as a MOD with T5 55W only, contact factory for ballast options (DM), Sloped Ceiling Adaptor - Specify up to 45° (SCA), Triple Stem (3S), Single Stem with Aircraft Cable (1SAC), Aircraft Cable with White SJ Cord (SJWAC), Aircraft Cable with Clear SJ Cord (SJCAC), Quad Pod - 44" only (QP), Tri-Pod - 26" & 36" only (TP), Hand-Painted Faux Alabaster Bowl (FB), Hand Painted Faux Linen Bowl (LNB), Remote Emergency Battery (REM), Separate Switching - contact factory (SSW), Factory Fuse (FF) & Quartz Restrike - contact factory, Downlight (D), Damp Location (DL): All Painted Finishes, Lacquered Satin Chrome (SCL) and Lacquered Satin Nickel (SNL) finishes only. Contact factory for multi-bowl and alternative mounting options.

Labels

U.L. and C.U.L approved for indoor and damp location. See options for damp location finishing requirements.

Modifications

Shaper's skilled craftspeople with their depth of experience offer the designer the flexibility to modify standard high performance pendant luminaires for project-specific solutions. Contact the factory regarding scale options, unique finishes, mounting, additional materials/colors, or decorative detailing.



1215-2TR SERIES

High Performance Pendant Luminaire
Indirect/Direct
Shallow Bowl with Two Trim Options



New Custom
Decorative Metals Finish

HP HIGH PERFORMANCE OPTICS

Shaper offers a line of products that offer optically-engineered, high performance optics for compact fluorescent, metal halide and halogen sources.

SUSTAINABLE DESIGN

Shaper has a long-standing history of offering environmentally-friendly fixtures. The copper and bronze alloys used in our exterior luminaires feature up to 98% recycled content, contribute less undesirable air emissions compared to painted aluminum and are easy to recycle.

Refer to the Icon Legend Link on shaperlighting.com.

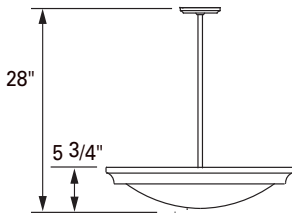
Sample Number: 1215-2TR-26-CFL-3-27-120V-PC-26

Series 1215-2TR 1215-TTR	Size 26" 36" 44"	Lamp 26" CFL/3/27 CFL/6/27 CFL/3/32 CFL3/42 MH/3/39 MH/3/70 HAL/3/150 36" CFL/3/27 CFL/3/39 CFL/3/40 CFL/3/50 CFL/3/55 CFL/6/27 CFL/6/39 CFL/6/40 CFL/6/50 CFL/6/55 CFL/8/27 CFL/8/39 CFL/3/32 CFL/3/42 CFL/3/57 CFL/3/70 MH/3/39 MH/3/70 MH/3/150 HAL/3/150 44" CFL/4/27 CFL/4/39 CFL/4/40 CFL/4/50 CFL/4/55 CFL/8/27 CFL/8/39 CFL/8/40 CFL/8/50 CFL/8/55 CFL/4/57 CFL/4/70 MH/4/70 MH/4/150 HAL/4/150	Voltage 120V 277V 347V	Finish <u>Standard</u> MW=Matte White <u>Premium</u> CC =Custom Color NA=Natural Aluminum OBRS =Oxidized Brass PB=Polished Brass ¹ PC =Polished Chrome ¹ PCP =Polished Copper ¹ PN=Polished Nickel ¹ SAL = Lacquered Satin Aluminum SB=Satin Brass SC=Satin Chrome SCL =Lacquered Satin Chrome SCP =Satin Copper SN=Satin Nickel SNL=Lacquered Satin Nickel	Color <u>Custom Decorative Metals</u> ⁴ CLR =Clear CBT =Cabernet SPE =Sapphire SGE =Sage BRS =Brass CPR =Copper BPL =Black Pearl SGN =Slate Green CMP =Champagne CLE =Chocolate IDO =Indigo RBE =Royal Blue PWR =Pewter	Pattern ² COL =Coral SHL =Seashell SMT =Smooth Stem and Canopy Finish ⁵ <u>Standard</u> MW=Matte White <u>Premium</u> CC =Custom Color NA=Natural Aluminum OBRS =Oxidized Brass PB=Polished Brass ¹ PC =Polished Chrome ¹ PCP =Polished Copper ¹ PN=Polished Nickel ¹ SAL =Lacquered Satin Aluminum SB=Satin Brass SC=Satin Chrome SCP =Satin Copper SN=Satin Nickel	Options 1S=Single Stem 1SAC =Single Stem Aircraft Cable 3S=Three Stem SJCAC =Aircraft Cable w/ Clear SJ Cord SJCAC =Aircraft Cable w/ White SJ Cord DL =Damp Location DM=CFL Dimming Ballast ³ FF=Factory Fuse REM=Remote Emergency Battery ⁶ SCA =Sloped Ceiling Adapter SSW=Separate Switching LNB =Hand Painted Faux Linen Bowl Suspension Height 26" (OA) - 26" dia. 30" (OA) - 36" dia. 38" (OA) - 44" dia. or Specify
---------------------------------------	----------------------------------	--	--	--	---	--	---

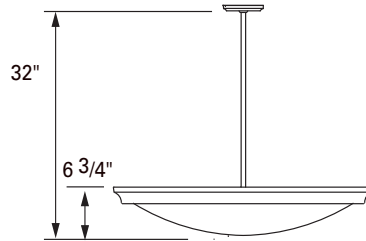
Notes:

- ¹ Available in 26" Only. ² Available with Custom Decorative Metal Finish only. ³ T5 22 & 40W - dimming ballast are not available. If bowl illumination requires dimming, contact the factory for a T5-55W MOD. ⁴ Interior applications only.
- ⁵ Select a standard or premium finish for the stem(s) and canopy. Example: SGE (Sage color) - SMT (Smooth pattern) - for the double trim rings stem(s) and canopy. Minimum quantity is 5 for one color/pattern. Contact the factory for lead-time.
- ⁶ Supplied by others.

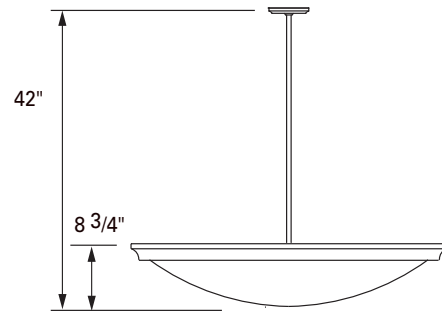
DIMENSIONS



1215 - 26" TRADITIONAL TRIM RING (TTR) STANDARD



1215 - 36" TRADITIONAL TRIM RING (TTR) STANDARD



1215 - 44" TRADITIONAL TRIM RING (TTR) STANDARD

1215-2TR - SUSPENSION OPTIONS STANDARD

SUSPENSION OPTIONS

Triple Stem (3S): 5" canopy with a 1 1/2" swivel ball. One 5/8" stem with a standard hang height of 24" (OA), minimum 18" (OA). Maximum overall hang height for one piece stem assembly is 5' (OA). For 8' to 30' (OA) the stems are supplied in multiple sections. Specify SCA for sloped ceilings up to 45°.

Single Stem Aircraft Cable (1SAC): Three or four 3/8" stems with a standard hang height of 24" (OA), minimum 18" (OA). Maximum overall hang height is 8' (OA). Contact factory for lengths above 8'. Specify SCA for sloped ceilings up to 45°.

Aircraft Cable with SJ Cord (SJAC): One 5/8" stem and 3/32" cables with a standard hang height of 24" (OA), minimum 18" (OA).

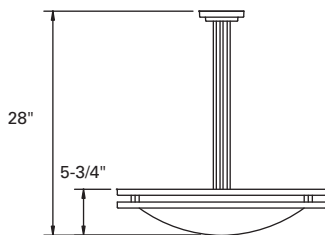
Tri-Pod (TP): 3/32" cables with a standard hang height of 24" (OA), minimum 18" (OA). Maximum overall hang height is 25' (OA). Contact factory for lengths above 25'. Specify SCA for sloped ceilings up to 45°. 26" & 36" dia. only.

Quad-Pod (QP): 3/32" cables with a standard hang height of 24" (OA), minimum 18" (OA). Maximum overall hang height is 25' (OA). Contact factory for lengths above 25'. Specify SCA for sloped ceilings up to 45°. 44" dia. only.

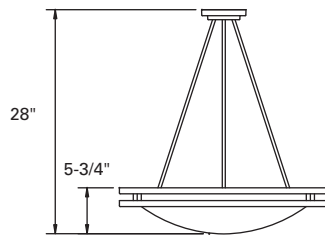
INSTALLATION

Contractor to provide appropriate structural support for fixture weight. Refer to the installation drawings for details. Integral safety cable provided. Refer to specification sheets at shaperlighting.com for additional and/or enlarged luminaire drawings.

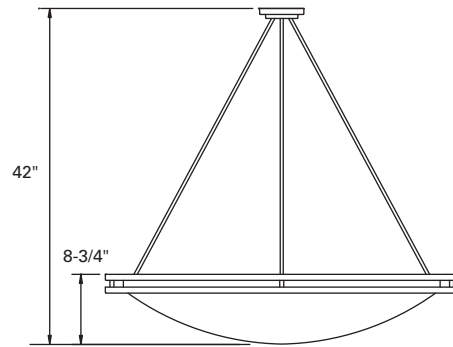
1215-2TR - SUSPENSION OPTIONS STANDARD



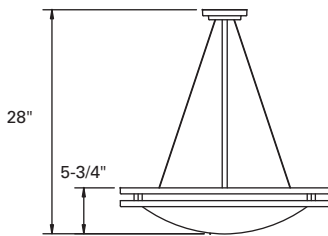
1215 - 2TR
TRIPLE STEM (3S)



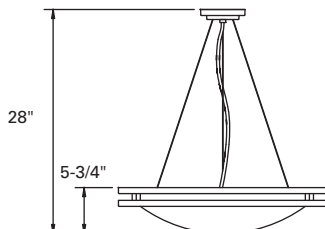
1215 - 2TR
TRI-POD (TP) - 26" & 36"



1215 - 2TR QUAD-POD (QP) - 44"



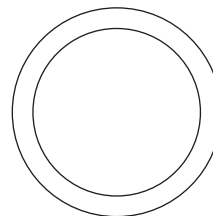
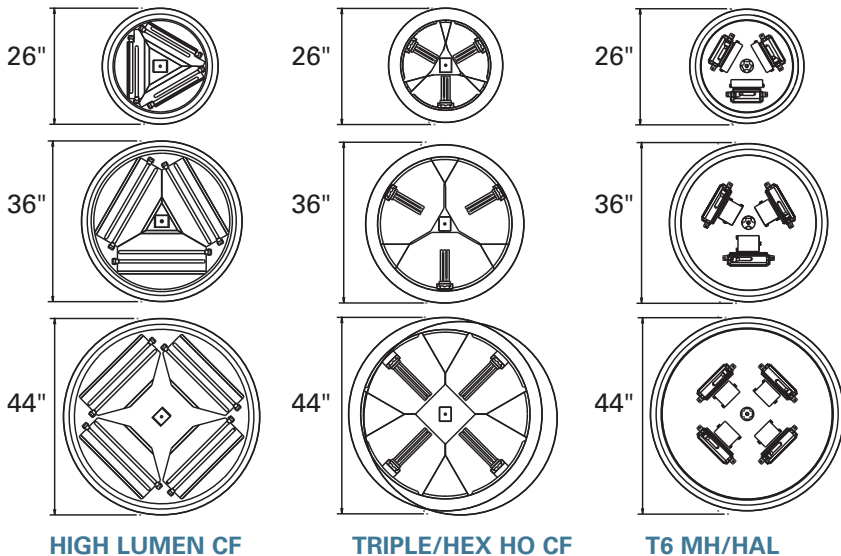
1215 - 2TR SINGLE STEM
AIRCRAFT CABLE (1SAC)



1215 - 2TR AIRCRAFT
CABLE SJ CORD (SJAC)

1215-2TR - OPTIC DRAWINGS STANDARD

1215-2TR - PLAN VIEW STANDARD



1215 - DOUBLETRIM RING

COMPANION PRODUCTS



Free Manuals Download Website

<http://myh66.com>

<http://usermanuals.us>

<http://www.somanuals.com>

<http://www.4manuals.cc>

<http://www.manual-lib.com>

<http://www.404manual.com>

<http://www.luxmanual.com>

<http://aubethermostatmanual.com>

Golf course search by state

<http://golfingnear.com>

Email search by domain

<http://emailbydomain.com>

Auto manuals search

<http://auto.somanuals.com>

TV manuals search

<http://tv.somanuals.com>