

DESCRIPTION

The 1270 Indirect High Performance Pendant features a shallow solid bowl with a floating trim and is available in three diameters with multiple mounting options.

Catalog #		Type
Project		
Comments		Date
Prepared by		

SPECIFICATION FEATURES

Material/Mounting

Painted and plated cold rolled steel or natural aluminum.

Single Stem (Standard): 5/8" stem with a standard hang height of 28" (OA) for the 26" dia., 32" (OA) for the 36" dia. and 42" (OA) for the 44" dia.

Minimum overall hang height is 18" (OA). Maximum overall hang height for one piece stem assembly is 8' (OA). 9' to 30' (OA) stems are supplied in multiple sections and require field assembly. Supplied with a swivel canopy which will accommodate up to 45° adjustment.

Finish

Standard: Matte White (MW). Premium: Natural Aluminum (NA) [Sustainable Design], Satin Chrome (SC), Polished Chrome (PC), Satin Brass (SB), Polished Brass (PB), Oxidized Brass (OBRS), Lacquered Satin Aluminum (SAL), Satin Copper (SCP), Polished Copper (PCP), Oxidized Copper (OCP), Satin Nickel (SN), Polished Nickel (PN), Gun Metal (GNM), Lacquered Satin Chrome (SCL), Lacquered Satin Nickel (SNL), or Custom Color (CC). Note: Floating ring will match specified standard finish. Contact factory for multiple finishes. Custom Decorative Metals: (Specify a Color and Pattern). Colors - Clear (CLR), Cabernet (CBT), Sapphire (SPE), Sage (SGE), Brass (BRS), Copper (CPR), Black Pearl (BPL), Slate Green (SGN), Champagne (CMP), Chocolate (CLE), Indigo (IDO), Royal Blue (RBE), or Pewter (PWR). Patterns - Coral (COL), Ripples (RIP), Kelp (KLP), Waves

(WVS), Waterfall (WTR), Smooth (SMT) or Seashell (SHL). Note: Select a standard or premium finish for the stem(s), canopy and floating trim. Example: CLR (Clear color)-COL(Coral pattern)-SC (Satin chrome) stems, canopy and trim. Minimum quantity is 5 for one color/pattern. Contact the factory for lead time.

Optics

Dedicated lamp optics with a "kick reflector" formed out of 94% reflective specular anodized aluminum. Refer to www.shaperlighting.com for complete photometrics.

Ballast

Integral CFL electronic HPF, multi-volt 120/277V (347V Canada), thermally protected with end-of-life circuitry to accommodate the specified lamp wattage.

Lamp/Socket

26" - Three (3) or six (6) 27W (2G11) high lumen CFL lamps. 36" - Three (3) or six (6) 27W, 39W, 40W, 50W or 55W (2G11) high lumen CFL lamps. 44" - Four (4) or (8) 27W, 39W, 40W, 50W or 55W (2G11) high lumen CFL lamps. CFL socket injection molded plastic. Lamps furnished by others.

Installation

Installation requires 1/4-20 UNC-2A AllThread rod. AllThread (supplied by others) through a standard J-box to an integral support canopy support system. The 1/4-20 UNC-2A AllThread rod must be attached to the building structure to support the fixture's weight.

Options

Dimming Ballast - Except 27W, contact factory for ballast options (DM), Sloped Ceiling Adaptor - Specify up to 45° (SCA), Triple Stem (3S), Single Stem with Aircraft Cable (1SAC), Aircraft Cable with White SJ Cord (SJWAC), Aircraft Cable with Clear SJ Cord (SJCAC), Quad Pod - 44" only (QP), Tri-Pod -26" and 36" only (TP), Remote Emergency Battery (REM) - contact factory, Separate Switching (SSW), Factory Fuse (FF), Damp Location (DL): All Painted Finishes, Lacquered Satin Chrome (SCL) and Lacquered Satin Nickel (SNL) finishes only. Contact factory for Multi-bowl and alternative mounting options.

Labels

U.L. and C.U.L approved for indoor and damp location. See options for damp location finishing requirements.

Modifications

Shaper's skilled craftspeople with their depth of experience offer the designer the flexibility to modify standard high performance pendant luminaires for project specific solutions. Contact the factory regarding scale options, unique finishes, mounting, additional materials/colors, or decorative detailing.



1270 SERIES

High Performance
Pendant Luminaire
Indirect
Solid Shallow Bowl with
Floating Trim



**New Custom
Decorative Metals Finish**

HP HIGH PERFORMANCE OPTICS

Shaper offers a line of products that offer optically-engineered, high performance optics for compact fluorescent, metal halide and halogen sources.

Sustainable Design

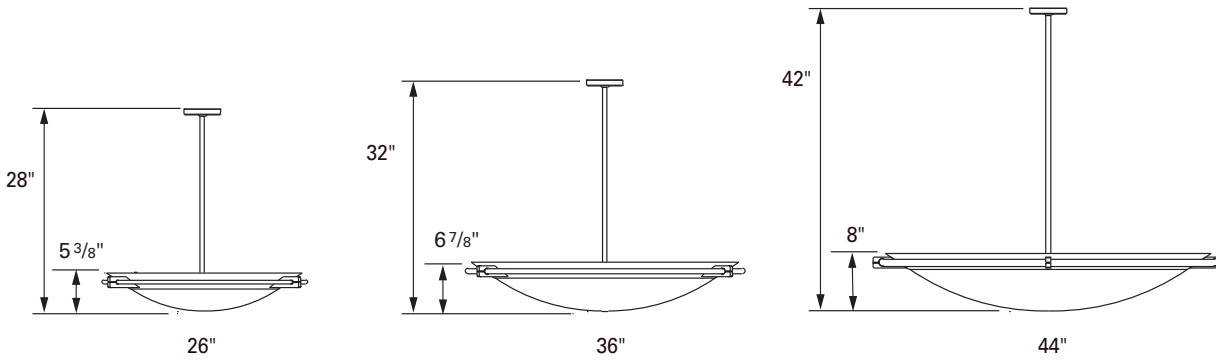
Shaper has a long-standing history of offering environmentally-friendly fixtures. The copper and bronze alloys used in our exterior luminaires feature up to 98% recycled content, contribute less undesirable air emissions compared to painted aluminum and are easy to recycle.

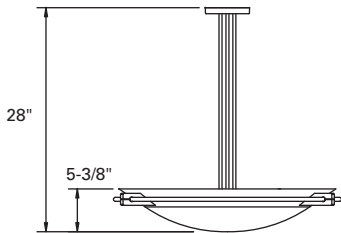
Refer to the Icon Legend
Link on shaperlighting.com.

Sample Number: 1270-36-CFL/3/39-120V-SAL-DM-32

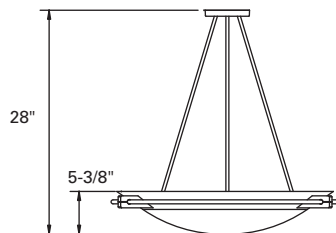
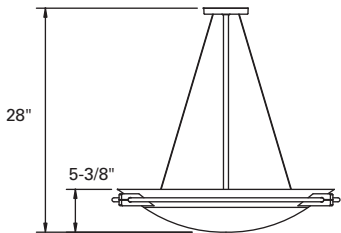
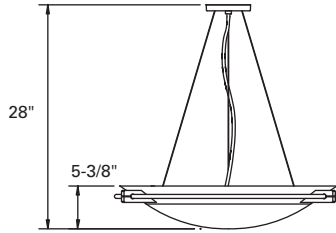
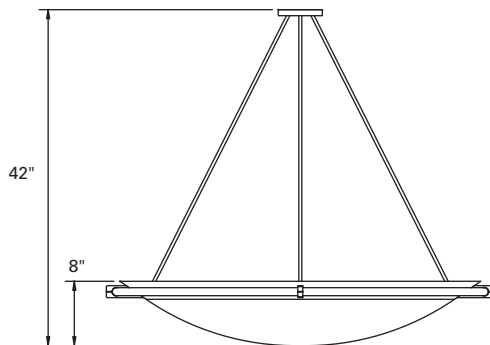
Series 1270	Lamp 26" CFL/3/27 CFL/6/27 36" CFL/3/27 CFL/3/39 CFL/3/40 CFL/3/50 CFL/3/55 CFL/6/27 CFL/6/39 CFL/6/40 CFL/6/50 CFL/6/55 44" CFL/4/27 CFL/4/39 CFL/4/40 CFL/4/50 CFL/4/55 CFL/8/27 CFL/8/39 CFL/8/40 CFL/8/50 CFL/8/55	Size 26" 36" 44"	Voltage 120V 277V 347V	Finish <u>Standard</u> MW =Matte White <u>Premium</u> CC =Custom Color NA =Natural Aluminum OBRS =Oxidized Brass PB =Polished Brass 1 PC =Polished Chrome 1 PCP =Polished Copper 1 PN =Polished Nickel 1 SAL =Lacquered Satin Aluminum SB =Satin Brass SC =Satin Chrome SL =Lacquered Satin Chrome SCP =Satin Copper SN =Satin Nickel SNL =Lacquered Satin Nickel	Color <u>Custom Decorative Metals</u> CLR =Clear CBT =Cabernet SPE =Sapphire SGE =Sage BRS =Brass CPR =Copper BPL =Black Pearl SGN =Slate Green CMP =Champagne CLE =Chocolate IDO =Indigo RBE =Royal Blue PWR =Pewter	Pattern 2 COL =Coral SHL =Seashell SMT =Smooth RIP =Ripples KLP =Kelp WVS =Waves WTR =Waterfall	Stem and Canopy Finish 4 <u>Standard</u> MW =Matte White <u>Premium</u> CC =Custom Color NA =Natural Aluminum OBRS =Oxidized Brass PB =Polished Brass PC =Polished Chrome PCP =Polished Copper PN =Polished Nickel SAL =Lacquered Satin Aluminum SB =Satin Brass SC =Satin Chrome SCP =Satin Copper SN =Satin Nickel	Options 1SAC =Single Stem Aircraft Cable 3S =Three Stem QP =Quad-Pod SJCAC =Aircraft Cable w/ Clear SJ Cord SJWAC =Aircraft Cable w/ White SJ Cord TP =Tri-Pod 1 DL =Damp Location DM =CFL Dimming Ballast 5 FF =Factory Fuse REM =Remote Emergency Battery 6 SCA =Sloped Ceiling Adapter SSW =Separate Switching	Suspension Height 28" (OA) - 26" dia. 32" (OA) - 36" dia. 42" (OA) - 44" dia. Or Specify							
				Notes:												
				1 Available in 26" Only.												
				2 Available with Custom Decorative Metal Finish only.												
				3 Interior applications only.												
				4 Select a standard or premium finish to the stem(s) and canopy. Example: SGE (Sage color) - SMT (Smooth pattern) for the double trim rings - SC (Satin Chrome) for the stem(s) and canopy. Minimum quantity is 5 for one color/pattern. Contact factory for lead-time.												
				5 Not available in 27W.												
				6 Supplied by others.												

DIMENSIONS





1270 - TRIPLE STEM (3S)

1270 - TRI-POD
HANGER - 26" & 36" only (TP)1270 - SINGLE STEM
AIRCRAFT CABLE (1SAC)1270 - AIRCRAFT CABLE
WITH SJ CORD (SJAC)

1270 - QUAD-POD (QP) - 44"

SUSPENSION OPTIONS

Triple Stem (3S): 5" modern canopy with a 1-1/2" swivel ball. One 5/8" stem with a standard hang height of 24" (OA), minimum 18" (OA). Maximum overall hang height for one-piece stem assembly is 5' (OA). For lengths from 5' to 25', a collector body (CB) will be provided. Specify SCA for sloped ceilings up to 45°.

Single Stem Aircraft Cable (1SAC): Three or four 3/8" stem with a standard hang height of 24" (OA), minimum 18" (OA). Maximum overall hang height is 8' (OA). Contact factory for lengths above 8'. Specify SCA for sloped ceilings up to 45°.

Aircraft Cable with a White SJ Cord (SJWAC): One 5/8" stem and 3/32" cables with a standard hang height of 24" (OA), minimum 18" (OA). Optional clear SJ cord (SJCAC).

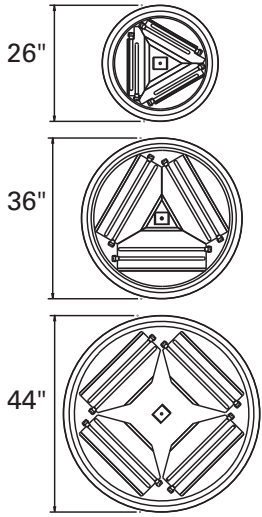
Tri-Pod (TP): 3/32" cables with a standard hang height of 24" (OA), minimum 18" (OA). Maximum overall hang height for is 25' (OA) . Contact factory for lengths above 25'. Specify SCA for sloped ceilings up to 45°. 26" and 36" dia. only.

Quad-Pod (QP): 3/32" cables with a standard hang height of 24" (OA), minimum 18" (OA). Maximum overall hang height is 25' (OA) . Contact factory for lengths above 25'. Specify SCA for sloped ceilings up to 45°. 26" and 36" dia. only

INSTALLATION

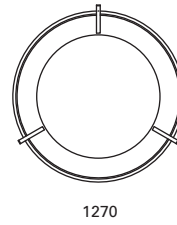
Contractor to provide appropriate structural support for fixture weight. Refer to the installation drawings for details. Integral safety cable provided.

1270 - OPTIC DRAWINGS STANDARD

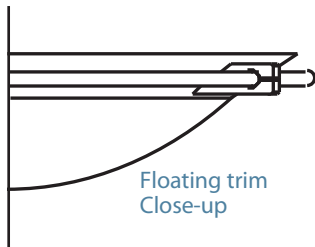


HIGH LUMEN CFL

1270 - PLAN VIEW STANDARD



FLOATING TRIM CLOSE-UP



COMPANION PRODUCTS



612

615

641

691

Free Manuals Download Website

<http://myh66.com>

<http://usermanuals.us>

<http://www.somanuals.com>

<http://www.4manuals.cc>

<http://www.manual-lib.com>

<http://www.404manual.com>

<http://www.luxmanual.com>

<http://aubethermostatmanual.com>

Golf course search by state

<http://golfingnear.com>

Email search by domain

<http://emailbydomain.com>

Auto manuals search

<http://auto.somanuals.com>

TV manuals search

<http://tv.somanuals.com>