

DESCRIPTION

The VRVT2 Series is an energy efficient industrial Vaportite fixture that features rugged and durable construction. The VRVT2 incorporates a full metal fixture liner inside a reinforced fiberglass housing with a high impact diffuser. This Vaportite series is suitable for interior and exterior applications and can be surface or chain mounted.

The VT2 Series has been designed for maximum operation in commercial institutional and industrial environments where weathering, high temperature, humidity and dust or corrosive fumes are present.

Catalog #		Type
Project		
Comments		Date
Prepared by		

SPECIFICATION FEATURES

A ... Construction

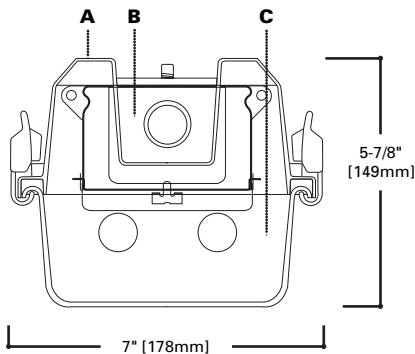
Fiberglass housing is reinforced polyester and self-extinguishing (ASTM-D635-74) plastic of a permanent pearl gray color. Top of housing has thirteen (13) embossments (8' unit), providing mounting flexibility on uneven surfaces. A watertite hub for 1/2" conduit entry is provided at each end of housing (standard) for continuous feed. Polyurethane gasketing is formed in the housing providing a continuous seamless seal for the diffuser. Twelve (8' unit) sturdy cam latches with integral stainless steel TORX screws clamp diffuser tightly for a positive seal between housing, gasket and diffuser.

B ... Electrical*

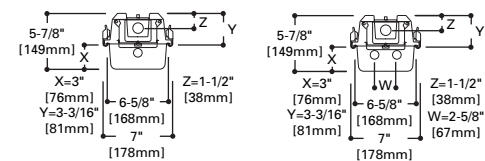
Unit has full metal liner (channel) secured by brass internal/external mounting studs for positive grounding, maximum protection and rigidity. Ballasts are CBM/ETL Class "P" certified suitable to minus 20°F. Spring loaded lampholders. Electrical components and fixtures are UL/CUL listed for Wet Locations.**

C ... Reflectors

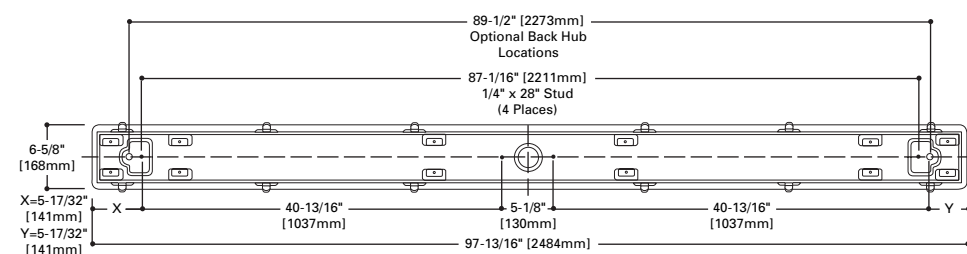
"DR" - Clear low brightness pattern acrylic with 15% high impact additive.
 "DR-100" - Clear low brightness pattern acrylic with 100% high impact additive.
 Example: VRVT2-296HODR-100
 "LEX" - High impact clear low brightness pattern polycarbonate. LEXAN
 Example:VRVT2-296HOLEX.



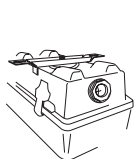
LAMP CONFIGURATIONS



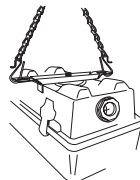
MOUNTING DATA



INSTALLATION DATA



MOUNTING BRACKETS
 Furnished
 Two per 2' and 4' Unit
 Four per 8' Unit



OPTIONAL CHAIN HANGING SET
 (VT2-CHAIN/SET-U)
 Includes 6 ft. of chain, 4 large S-Hooks and 4 small S-Hooks
 Order One (1) Kit for each 2' or 4' Fixture
 Two (2) Kits Recommended For 8' Fixture



VRVT2
 196HO
 196T8HO
 296HO
 296T8HO

8' INDUSTRIAL
 1 or 2 LAMPS
 HIGH OUTPUT, 800MA
 Vandal Resistant Luminaire

ENERGY DATA

Input Watts:
EB Ballast & STD Lamps

296HO (208)
 296HOT8 (160)

STD Ballast & STD Lamps

196HO (82)
 248HO (145)

STD Ballast & STD Lamps

296HO (237)

Luminaire Efficacy Rating
LER = FI-50
 Catalog Number: VRVT2-296HO DR-WL

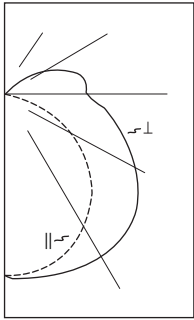
Yearly Cost of 1000 lumens,
 3000 hrs at .08 KWH = \$4.80

*Reference the lamp/ballast data in the Technical Section for specific lamp/ballast requirements.

** Not Suitable for Wet Locations if EL4 Option is added. Consult Pre Sales Technical Support.



PHOTOMETRICS



VRVT2-296HO DR-WL
Energy Saving Ballast

F96T12/CW/HO/EW
Lamps

8000 Lumens

Spacing criterion:
(||) 1.3 x mounting
height, (⊥) 1.6 x
mounting height

Efficiency 69.1%

Test Report
#ITL44181

LER = FI-50

Yearly Cost of 1000
lumens, 3000 hrs at
.08 KWH = \$4.80

Coefficients of Utilization

	Effective floor cavity reflectance																																		
	80%					70%					50%					30%					10%					0%									
rc	70	50	30	10	70	50	30	10	50	30	10	50	30	10	50	30	10	50	30	10	50	30	10	50	30	10									
RCR																																			
0	80	80	80	80	76	76	76	76	71	71	71	65	65	65	60	60	60	58																	
1	71	66	63	59	67	64	60	57	59	56	54	54	52	50	50	48	47	44																	
2	63	57	51	47	60	55	50	45	50	46	43	46	43	40	43	40	37	35																	
3	57	49	43	38	55	47	42	37	44	39	35	40	36	33	37	34	31	29																	
4	52	43	37	32	50	41	35	31	38	33	29	35	31	28	33	29	26	24																	
5	48	38	32	27	45	37	31	26	34	29	25	31	27	23	29	25	22	20																	
6	44	34	28	23	42	33	27	22	31	25	21	28	24	20	26	22	19	18																	
7	41	31	24	20	39	30	24	20	28	22	19	26	21	18	24	20	17	15																	
8	38	28	22	18	36	27	21	17	25	20	17	23	19	16	22	18	15	13																	
9	35	26	20	16	33	25	19	15	23	18	15	21	17	14	20	16	13	12																	
10	33	23	18	14	31	23	17	14	21	17	13	20	16	13	19	15	12	11																	

Zonal Lumen Summary

Zone	Lumens	%Lamp	%Fixture
0-30	1873	11.7	16.9
0-40	3187	19.9	28.8
0-60	6152	38.4	55.6
0-90	9276	58.0	83.9
90-180	1783	11.1	16.1
0-180	11059	69.1	100.0

Candela

Angle	Along	45°	Across ⊥
0	2279	2279	2279
10	2260	2260	2329
20	2144	2229	2354
30	1958	2155	2361
40	1697	2034	2322
50	1360	1834	2182
60	935	1529	1902
70	496	1209	1596
80	176	952	1320
90	23	697	1043
100	20	644	1027
110	9	477	868
120	4	249	588
130	3	87	291
140	4	24	87
150	4	7	21
160	4	3	4
170	3	3	3
180	0	0	0

ORDERING INFORMATION

SAMPLE NUMBER: VRVT2-296T8HO DR-WL

Series	No. of Lamps	Wattage (Length)	Wattage (Length)	Lens	Voltage	Voltage ²	Ballast Type	Options (add as suffix)
VRVT2			HO					
VRVT2	1 or 2 lamps (Not included)	96=110W (96") HO 96T8=59W (96") SL	HO=High Output (800 MA)		LTS=Low Trigger Start (20 Watt) HTS=High Trigger Start (20 Watt)	120=120V 277=277V 347=347V UNV= Universal Voltage 120-277V	Standard Magnetic Ballast Leave Blank (Biax & LTS) LE3= Energy Saving Magnetic Ballast EB= Generic Electronic Ballast No. of Ballasts 1 or 2 Lamp Size 2=T12 8=T8 <small>(For Specific Electronic Ballast Specify Brand and Catalog Number)</small>	GL=Internal Single Element Fusing GM=Dual Element Fusing EL8=Emergency Lighting self-contained. RIF1=Radio Interference Suppressor TH ² =(2) Top Watertite Hubs ³ TEH ² =(2) Top & (2) End Watertite Hubs (All Watertite ³ Hubs Have 1/2" Conduit Entry) PI/CPI=Plug-In Option DL=Damp Location Labeled WL=Wet Location Labeled DD=Deep Diffuser (Available On 4' Fixtures. Deep Housing Standard On 8' Fixtures)

NOTE For additional options, consult your Cooper Lighting Representative. Specifications and Dimensions subject to change without notice.

¹ Standard Ballast (Non-LE3).
² Contact Pre Sales Technical Support.
³ Optional VT2 1/2" stem bushing available.
⁴ Ambient Thermal Conditions: Operating Ambient Temperature Limitations Are Applicable. Contact Sales Engineering for Full "Operating Temperature Range" of Specific Fixture.

SHIPPING INFORMATION

Catalog No.	Wt.
VRVT2-196T8HO DR-WL	20 lbs.
VRVT2-296T8HO DR-WL	20 lbs.

Free Manuals Download Website

<http://myh66.com>

<http://usermanuals.us>

<http://www.somanuals.com>

<http://www.4manuals.cc>

<http://www.manual-lib.com>

<http://www.404manual.com>

<http://www.luxmanual.com>

<http://aubethermostatmanual.com>

Golf course search by state

<http://golfingnear.com>

Email search by domain

<http://emailbydomain.com>

Auto manuals search

<http://auto.somanuals.com>

TV manuals search

<http://tv.somanuals.com>