

# COMBO MINI - Low profile recessed architectural fixtures



## One, Two or Three light adjustable fixtures with housings

Combo Mini™ fixtures are low profile recessed architectural trims for downlighting and wall wash lighting applications.

A full range of fixture types are offered including a one light downlight, one light wall wash, and two and three light multi-lamp adjustable configurations.

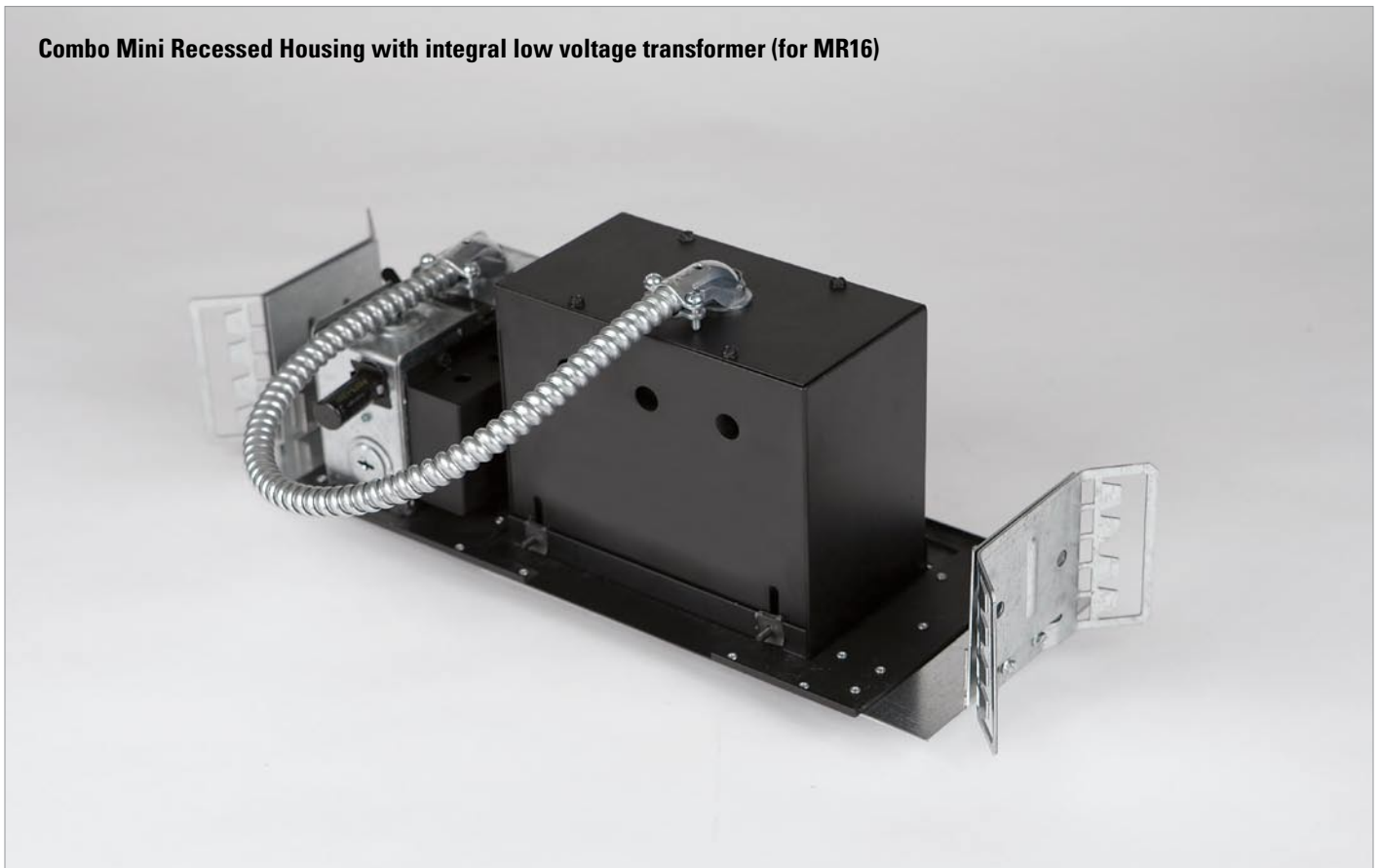
Each Combo Mini fixture includes RSA's rugged Combo Recessed new construction housing with integral low voltage transformer and j-box and adjustable plaster frame for ceiling thicknesses up to 1".

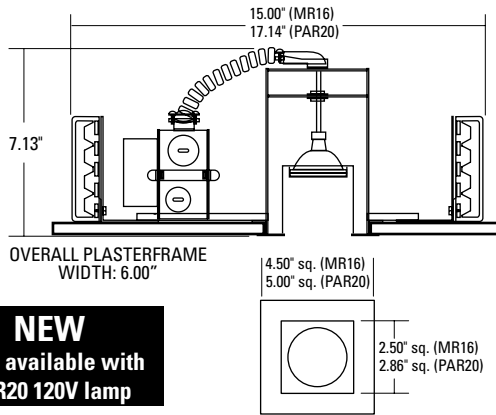
Combo Mini utilizes low voltage MR16 lamps and each lamp holder can accommodate up to two (2) optical accessories. The fixed downlight trim is also available with a 120V PAR20 lamp.

Combo Mini is suitable for a wide range of retail, commercial, hospitality and residential lighting applications.



### Combo Mini Recessed Housing with integral low voltage transformer (for MR16)





**NEW**  
Now available with  
PAR20 120V lamp



MR16



PAR20

**ONE LIGHT DOWNLIGHT TRIM**

Ultra Low Profile Square Fixed Downlight  
12V Halogen MR16 12 volts 71 watts max. or 120V PAR20

Item #

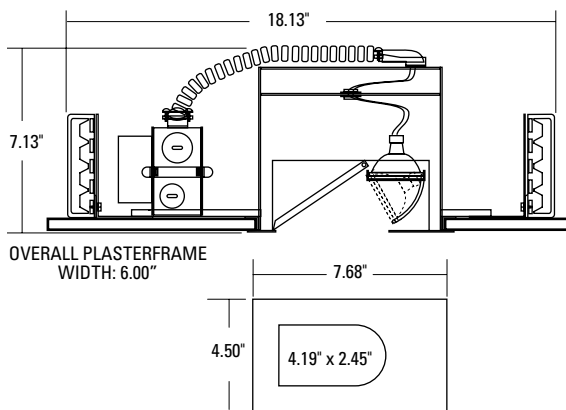
- CM0W** One light fixed downlight - MR16 - White
- CM0B** One light fixed downlight - MR16 - Black
- CM0S** One light fixed downlight - MR16 - Silver (shown)

- CM0W-P** One light fixed downlight - PAR20 - White
- CM0B-P** One light fixed downlight - PAR20 - Black
- CM0S-P** One light fixed downlight - PAR20 - Silver (shown)

**Voltage (for MR16 only)**

120	120V (Standard)
277	277V

- 4.5" sq. (MR16) or 5" sq. (PAR20) trim secured in housing with torsion spring retainers
- Flat black internal finish
- Housing adjusts vertically in plaster frame to accommodate various ceiling thicknesses.
- Integral electronic transformer (MR16 only) accessible through the ceiling opening.
- Transformers have thermal protection and operate at 11.5 volts nominal.
- Primary leads: 120 volts.
- Transformer rated 180° Class H.
- Socket is pre-wired to the j-box with 18AWG SF-1 leads.
- J-box U.L. listed for through branch wiring for eight #12, 90°C supply wires or 60°C supply wires for end of run.
- Includes butterfly brackets for black iron installations



MR16

**ONE LIGHT ADJUSTABLE WALL WASH TRIM**

Ultra Low Profile Adjustable Wall Wash  
12V Halogen MR16 12 volts 71 watts max.

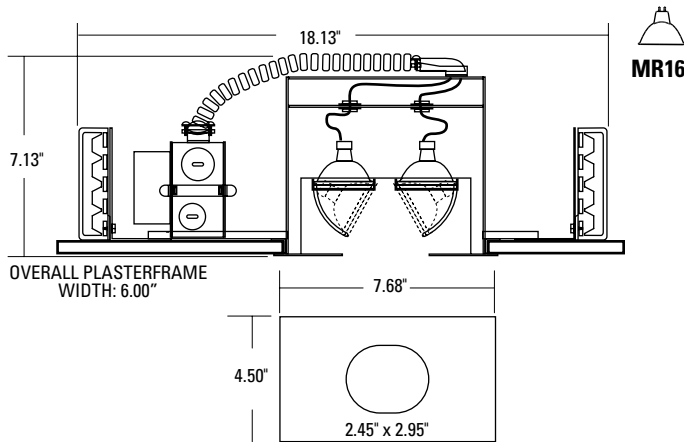
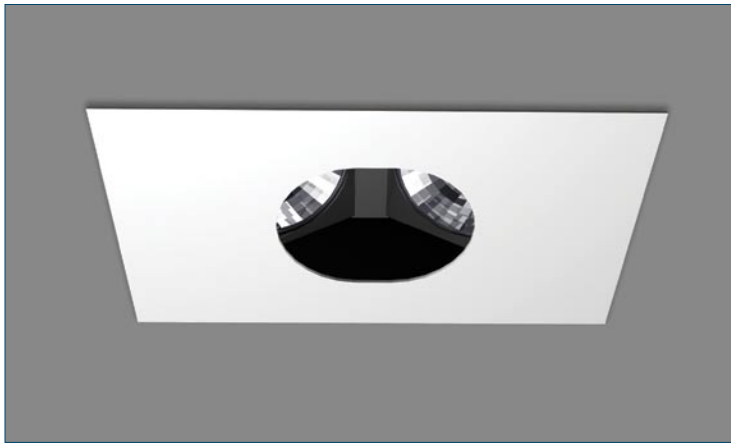
Item #

- CM1W** One light wall wash - White
- CM1B** One light wall wash - Black
- CM1S** One light wall wash - Silver (shown)

**Voltage**

120	120V (Standard)
277	277V

- 4.5" x 7.68" trim secured in housing with torsion spring retainers
- Flat black internal finish
- Lamp holder adjusts 0° to 60° tilt
- Housing adjusts vertically in plaster frame to accommodate various ceiling thicknesses.
- Integral electronic transformer accessible through the ceiling opening.
- Transformers have thermal protection and operate at 11.5 volts nominal.
- Primary leads: 120 volts.
- Transformer rated 180° Class H.
- Socket is pre-wired to the j-box with 18AWG SF-1 leads.
- J-box U.L. listed for through branch wiring for eight #12, 90°C supply wires or 60°C supply wires for end of run.
- Includes butterfly brackets for black iron installations



**TWO LIGHT ADJUSTABLE TRIM**

Ultra Low Profile Two Light Adjustable  
12V Halogen MR16 12 volts 71 watts max.

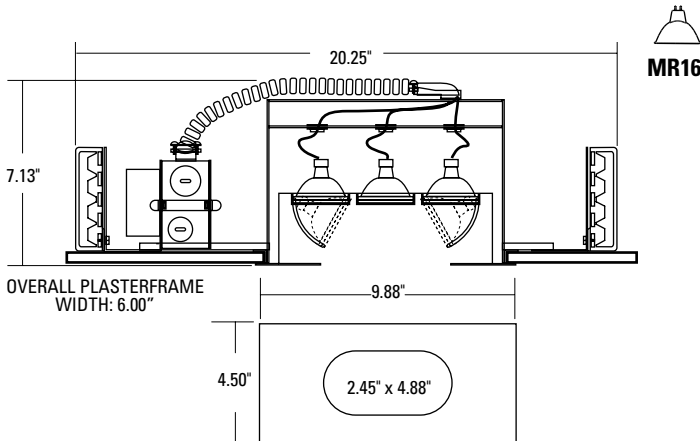
Item #

- CM2W Two light adjustable - White (shown)
- CM2B Two light adjustable - Black
- CM2S Two light adjustable - Silver

Voltage

- 120 120V (Standard)
- 277 277V

- 4.5" x 7.68" trim secured in housing with torsion spring retainers
- Flat black internal finish
- Lamp holders adjust 0° to 60° tilt
- Housing adjusts vertically in plaster frame to accommodate various ceiling thicknesses.
- Integral electronic transformer accessible through the ceiling opening.
- Transformers have thermal protection and operate at 11.5 volts nominal.
- Primary leads: 120 volts.
- Transformer rated 180° Class H.
- Socket is pre-wired to the j-box with 18AWG SF-1 leads.
- J-box U.L. listed for through branch wiring for eight #12, 90°C supply wires or 60°C supply wires for end of run.
- Includes butterfly brackets for black iron installations



**THREE LIGHT ADJUSTABLE TRIM**

Ultra Low Profile Three Light Adjustable  
12V Halogen MR16 12 volts 71 watts max.

Item #

- CM3W Three light adjustable - White
- CM3B Three light adjustable - Black (shown)
- CM3S Three light adjustable - Silver

Voltage

- 120 120V (Standard)
- 277 277V

- 4.5" x 9.88" trim secured in housing with torsion spring retainers
- Flat black internal finish
- Outside lamp holders adjust 0° to 60° tilt. Center lamp is fixed position.
- Housing adjusts vertically in plaster frame to accommodate various ceiling thicknesses.
- Integral electronic transformer accessible through the ceiling opening.
- Transformers have thermal protection and operate at 11.5 volts nominal.
- Primary leads: 120 volts.
- Transformer rated 180° Class H.
- Socket is pre-wired to the j-box with 18AWG SF-1 leads.
- J-box U.L. listed for through branch wiring for eight #12, 90°C supply wires or 60°C supply wires for end of run.
- Includes butterfly brackets for black iron installations



## Free Manuals Download Website

<http://myh66.com>

<http://usermanuals.us>

<http://www.somanuals.com>

<http://www.4manuals.cc>

<http://www.manual-lib.com>

<http://www.404manual.com>

<http://www.luxmanual.com>

<http://aubethermostatmanual.com>

Golf course search by state

<http://golfingnear.com>

Email search by domain

<http://emailbydomain.com>

Auto manuals search

<http://auto.somanuals.com>

TV manuals search

<http://tv.somanuals.com>