

DESCRIPTION

The VRMC Series combines a low profile, surface modular design with the latest in energy-efficient technology. The dihedral recessed top design allows for cooler fixture operation. Other features include a die-formed housing, surface or stem mounting (single or continuous row), full seam-welded corners and a broad selection of attractive door frames.

The durable, versatile VRMC is perfect for use in commercial spaces, schools, hospitals, correctional or industrial facilities and high volume public access areas.

Catalog #		Type
Project		
Comments		Date
Prepared by		

SPECIFICATION FEATURES

A ... Construction

Housing die formed code gauge prime cold rolled steel. Smooth sides permit flush joint for continuous row mounting. Full seam welded corners. Dihedral recessed top design insures cooler ballast operation. Die formed captive lampholder bracket fully encloses wiring permitting easy lampholder replacement. Ballast covers easily removed without tools.

B ... Electrical*

Ballasts are CBM/ETL Class "P" and are positively secured by mounting bolts. Pressure lock lampholders. UL/CUL listed. Suitable for damp locations.

C ... Finish

Painted after fabrication. Electrostatically applied baked white polyester powder enamel finish. Multistage cleaning cycle, iron phosphate coating with rust inhibitor. Conveyorized application and baking timing accurately controlled at an elevated temperature.

D ... Hinging/Latching

Positive cam action steel latches with baked white enamel finish. Safety lock T-hinges allow hinging and latching either side.

E ... Frame/Shielding

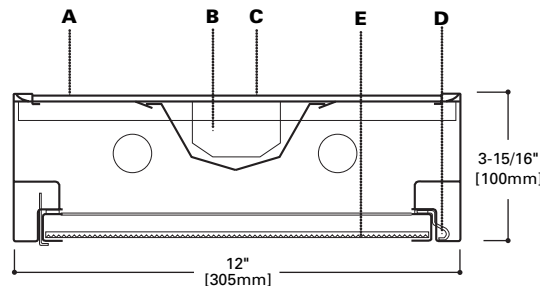
Die formed, heavy gauge, flat steel door with reinforced mitered corners and baked white enamel finish. Positive light seals. Frame and lens are secured to housing with 4 or 6 stainless steel TORX screws.



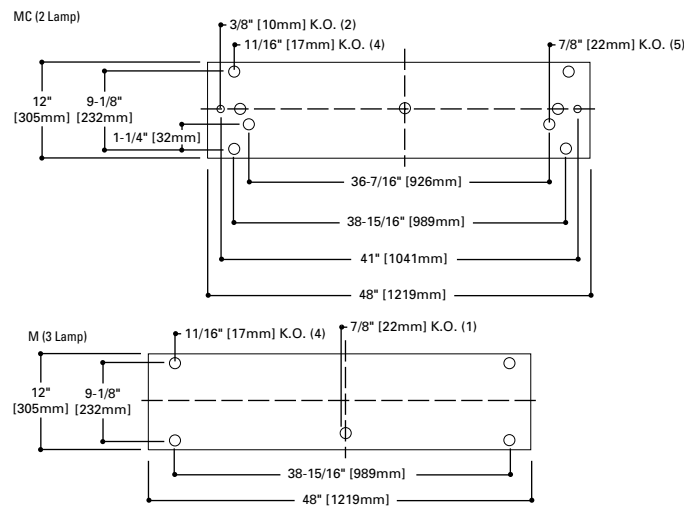
VRMC240
232
VRM340
332

1' X 4' SURFACE
2 OR 3 LAMPS

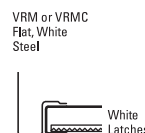
Vandal Resistant Luminaire



MOUNTING DATA



DOOR FRAME



ENERGY DATA

Input Watts:
EB Ballast & STD Lamps
240 (86)
232 (61)
340 (110)
332 (91)

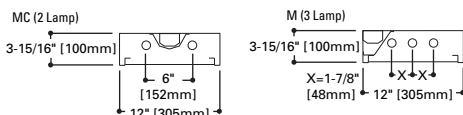
ES Ballast & STD Lamps
240 (86)
232 (71)
340 (136)
332 (108)

Luminaire Efficacy Rating
LER = FL-55
Catalog Number: MC-232A

Yearly Cost of 1000 lumens,
3000 hrs at .08 KWH = \$4.36

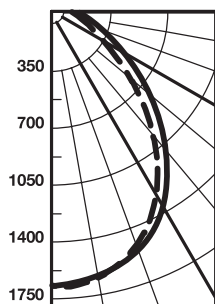
*Reference the lamp/ballast data in the Technical Section for specific lamp/ballast requirements.

LAMP CONFIGURATIONS



PHOTOMETRICS

Candlepower Distribution



Test No. M-1052
VRMC-240ACTF140
 Lamp=F40T12/CW
 Lumens=3150
 Spacing Criteria
 $\perp=1.2$ $\parallel=1.2$
 Efficiency=58.3%

Candlepower

Deg.	\perp	\parallel
0	1691	1691
5	1686	1673
15	1610	1618
25	1452	1492
35	1198	1284
45	849	931
55	508	561
65	257	307
75	136	151
85	55	64
90	0	0

Typical VCP Percentages

Room Size (in Feet)	Height Along \parallel		Height Across \perp	
	8'6"	10'0"	8'6"	10'0"
20 x 20	64	68	66	70
30 x 30	57	61	58	63
30 x 60	48	51	49	53
60 x 30	59	63	59	64
60 x 60	48	51	49	52

Zonal Lumen Summary

Zone	Lumens	%Lamp	%Luminaire
0-30	1297	20.6	35.3
0-40	2071	32.9	56.4
0-60	3218	51.1	87.5
0-90	3672	58.3	100.0
90-180	0	0.0	0.0
0-180	3672	58.3	100.0

Coefficient of Utilization

rc	80%				70%			50%		30%		10%		0%	
	rw	70	50	30	10	50	30	10	50	10	50	10	50	10	0
RCR															
0	69	69	69	69	68	68	68	65	65	62	62	59	59	58	
1	64	62	60	58	60	58	57	58	55	56	53	54	52	50	
2	59	55	51	48	54	51	48	52	47	50	46	48	45	44	
3	55	49	45	41	48	44	41	46	40	45	40	43	39	38	
4	50	44	39	36	43	39	36	42	35	41	35	39	34	33	
5	47	40	35	32	39	35	31	38	31	37	31	36	30	29	
6	43	36	31	28	36	31	28	35	28	31	27	33	27	26	
7	40	33	28	25	33	28	25	32	25	31	25	30	24	23	
8	38	30	26	23	30	26	22	29	22	29	22	28	22	21	
9	35	28	23	20	28	23	20	27	20	26	20	26	20	19	
10	33	26	22	19	26	21	19	25	19	25	18	24	18	17	

rc=Ceiling reflectance, rw=Wall reflectance, RCR=Room cavity ratio
 CU Data Based on 20% Effective Floor Cavity Reflectance.

ORDERING INFORMATION

SAMPLE NUMBER: VRMC-232A

Width	Series	Door Type	No. of Lamps	Wattage (Length)	Lens Type	Voltage	Voltage	Ballast Type	Options (add as suffix)
Blank=1'	VRM		2 or 3 Lamps (Not included)	40=40W (48") 32=32W T8 (48")					
VRMC=1' Width (2 Lamp) VRM=1' Width (3 Lamp)				ACTF140=.140 Thick ACTF187=.187 Thick PA375=.250 polycarbonate with .125 prismatic overlay (standard with 6S option)					
Standard=Flat White Steel Door (Leave Blank)				LTS=Low Trigger Start (20 Watt) HTS=Universal Voltage 120-277V					
				120=120V 277=277V 347=347V UNV=Universal Voltage 120-277V					
								LE3=Energy Saving Ballast LEOC8= Energy Saving Ballast (T-8 Lamp Only) EB = Generic Electronic Ballast No. of Ballasts 1 or 2 Lamp Size 2=T12 8=T8 (For Specific Electronic Ballast Specify Brand and Catalog Number)	GL=Internal Single Element Fusing GM=Dual Element Fusing EL4=Emergency Lighting self-contained SMB=Side Mounted Ballast for Stem Applications (Recommended For 4 Point Suspension) RIF1=Radio Interference Suppressor EKO=End Plate with 7/8" KO (Required for Continuous Row Mounting) RLS=Rotor-Lock Socket (T8 Lamps Only) 6S=Six TORX-head Screws (3 per side) SC=Safety Chain

For additional options please consult Cooper Lighting Representative. Specifications and Dimensions subject to change without notice.

SHIPPING INFORMATION

Catalog No.	Wt.
VRM-140ACTF140	25 lbs.
VRM-240ACTF140	25 lbs.
VRM-340ACTF140	30 lbs.

Free Manuals Download Website

<http://myh66.com>

<http://usermanuals.us>

<http://www.somanuals.com>

<http://www.4manuals.cc>

<http://www.manual-lib.com>

<http://www.404manual.com>

<http://www.luxmanual.com>

<http://aubethermostatmanual.com>

Golf course search by state

<http://golfingnear.com>

Email search by domain

<http://emailbydomain.com>

Auto manuals search

<http://auto.somanuals.com>

TV manuals search

<http://tv.somanuals.com>