

DESCRIPTION

The VRVT2 Series is an energy efficient industrial Vaportite fixture that features rugged and durable construction. The VRVT2 incorporates a full metal fixture liner inside a reinforced fiberglass housing with a high impact diffuser. This Vaportite series is suitable for interior and exterior applications and can be surface or chain mounted.

The rugged, durable VRVT2 is perfect for coolers, car washes, breeze/walkways, canopies and other outdoor or indoor areas where environmental abuse is a problem.

Catalog #		Type
Project		
Comments		Date
Prepared by		

SPECIFICATION FEATURES

A ... Construction

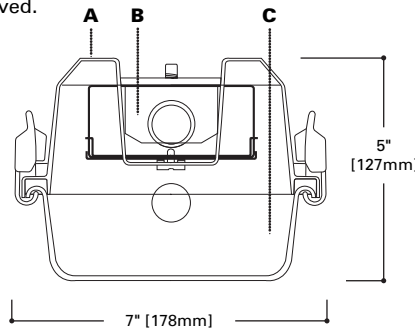
Fiberglass housing is reinforced polyester and self-extinguishing (ASTMD635-74) plastic of a permanent pearl gray color. Top of housing has five embossments (2' unit), nine embossments (4' unit) and thirteen embossments (8' unit), providing mounting flexibility on uneven surfaces. A watertite hub for 1/2" conduit entry is provided at each end of housing (standard) for continuous feed. Polyurethane gasketing is formed in the housing providing a continuous seamless seal for the diffuser. Four sturdy cam latches (2' unit), six (4' unit) and twelve (8' unit) with integral stainless steel TORX screws clamp diffuser tightly for a positive seal between housing, gasketing and diffuser.

B ... Electrical*

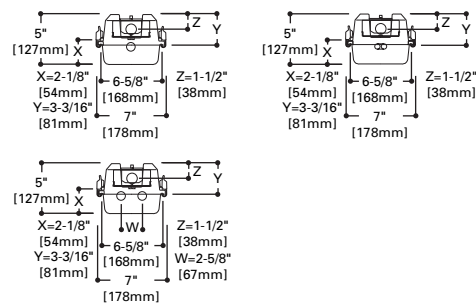
Unit has full metal liner (channel) secured by brass internal/external mounting studs for positive grounding, maximum protection and rigidity. Ballasts are CBM/ETL Class "P" certified suitable to plus 50°F. (Cold temperature ballasts are available suitable to 0°F, on special order) Pressure lock lampholders. Electrical components and fixtures are UL/CUL listed for Wet Locations.** IP65 approved.

C ... Shielding

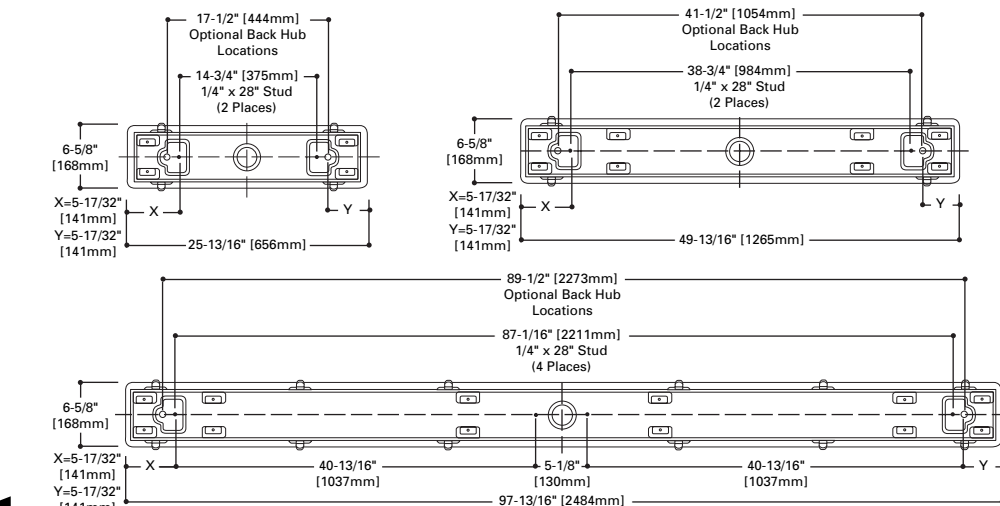
"DR" - Clear low brightness pattern acrylic with 15% high impact additive.
 "DR-100" - Clear low brightness pattern acrylic with 100% high impact additive.
 Example: VRVT2-240DR-100
 "LEX" - High impact clear low brightness pattern polycarbonate.
 LEXAN Example: VRVT2-240LEX.



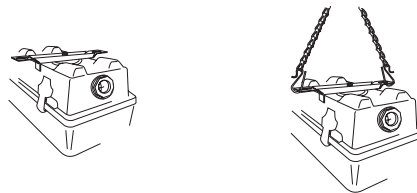
LAMP CONFIGURATIONS



MOUNTING DATA



INSTALLATION DATA



MOUNTING BRACKETS

Furnished
 Two per 2' and 4' Unit
 Four per 8' Unit

OPTIONAL CHAIN HANGING SET

(VT2-CHAIN/SET-U)
 Includes 6 ft. of chain, 4 large S-Hooks and 4 small S-Hooks
 Order One (1) Kit for each 2' or 4' Fixture
 Two (2) Kits Recommended For 8' Fixture

VRVT2
 120, 117, 220
 217, 1BX40, 1BX50
 140, 148, 132
 240, 248, 232

2', 4' or 8' INDUSTRIAL
 1 OR 2 LAMPS
 Vandal Resistant Luminaire

ENERGY DATA

Input Watts:
EB Ballast & STD Lamps
 117 (20)
 1BX40 (43)
 1BX50 (54)
 140 (38)
 132 (30)
 217 (36)
 240 (72)
 232 (61)
ES Ballast & STD Lamps
 117 (23)
 140 (50)
 132 (37)
 220 (58)
 217 (45)
 240 (86)
 232 (71)
STD Ballast & STD Lamps
 120 (32)
 220 (58)
 1BX40 (49)

Luminaire
 Efficacy Rating
LER = FI-73
Catalog Number:
 VRVT2-232DR

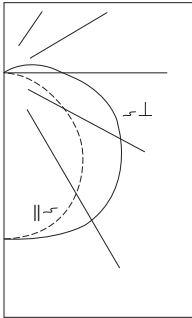
Yearly Cost of 1000 lumens, 3000 hrs at .08 KWH = \$3.29

*Reference the lamp/ballast data in the Technical Section for specific lamp/ballast requirements.

**Not Suitable for Wet Locations if EL4 Option is added. Consult Pre Sales Technical Support.



PHOTOMETRICS



VRVT2-232DR
Electronic Ballast
F32T8/35K Lamps
2850 Lumens

Spacing criterion:
(II) 1.3 x mounting height, (⊥) 1.5 x mounting height

Efficiency 78.9%

Test Report
#127P106

LER = FI-73

Yearly Cost of 1000 lumens, 3000 hrs at .08 KWH = \$3.29

Coefficients of Utilization

rc	Effective floor cavity reflectance						20%											
	80%		70%		50%		30%		10%		0%							
rw	70	50	30	10	70	50	30	10	50	30	10	50	30	10	0			
RCR																		
0	92	92	92	92	90	90	90	90	84	84	84	79	79	79	75	75	75	72
1	83	78	74	71	80	76	72	69	71	68	66	67	65	62	63	61	59	57
2	75	67	61	56	72	65	60	55	61	57	53	58	54	51	54	51	48	46
3	68	59	52	46	65	57	51	46	54	48	44	51	46	42	48	44	41	39
4	62	52	44	39	59	50	43	38	47	42	37	45	40	36	42	38	35	33
5	56	45	38	32	54	44	37	32	42	35	31	39	34	30	37	33	29	27
6	51	40	33	28	49	39	32	27	37	31	26	35	30	26	33	29	25	23
7	47	36	29	24	46	35	28	23	33	27	23	32	26	22	30	25	22	20
8	44	32	25	20	42	31	25	20	30	24	20	28	23	19	27	22	18	17
9	40	29	22	17	39	28	22	17	27	21	17	25	20	16	24	19	16	14
10	37	26	20	15	36	26	19	15	24	19	15	23	18	14	22	17	14	12

Zonal Lumen Summary

Zone	Lumens	%Lamp	%Fixture
0-30	862	15.1	19.2
0-40	1462	25.7	32.5
0-60	2778	48.7	61.8
0-90	4130	72.4	91.8
90-180	369	6.5	8.2
0-180	4499	78.9	100.0

Typical VCP Percentages

Room Size (Ft.)	Height Along		Height Across	
	13.0'	16.0'	13.0'	16.0'
20 x 20	45	53	35	44
30 x 30	37	42	27	33
30 x 60	32	36	20	23
60 x 40	37	41	32	36
60 x 60	31	33	22	25

Candela

Angle	Along II	45°	Across ⊥
0	1049	1049	1049
10	1034	1047	1056
20	978	1030	1071
30	886	997	1075
40	762	934	1027
50	606	820	939
60	416	671	838
70	228	543	723
80	92	412	549
90	17	239	363
100	19	141	243
110	10	68	131
120	5	29	46
130	4	13	20
140	4	6	9
150	4	2	3
160	4	2	0
170	0	0	0
180	0	0	0

ORDERING INFORMATION

SAMPLE NUMBER: VRVT2-232 DR-WL

Tandem **Series** **No. of Lamps** **Wattage (Length)** **Lens** **Voltage** **Voltage²** **Ballast Type²** **Options**
(add as suffix)

VRVT2

8T=8' Length

1 or 2 lamps (Not included)

20=20W (24")
17=17W T8 (24")
BX40=40W Biaxial (24")
BX50=50W Biaxial (24")
40=40W (48")
32=32W T8 (48")
48=60W (48") SL

DR=Internal Prismatic Lens/15% DR High Impact Additive (Standard)
DR-100=100% High Impact Additive
LEX=High Impact Clear
Polycarbonate LEXAN Lens/Low Brightness Pattern

LTS=Low Trigger Start (20 Watt)
HTS=High Trigger Start (20 Watt)

120=120V
277=277V
347=347V
UNV=Universal Voltage 120-277V

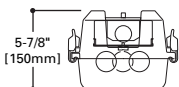
Standard Magnetic Ballast Leave Blank (Biax & LTS)
LE3= Energy Saving Magnetic Ballast
LEOC8= Energy Saving Magnetic Ballast (T-8 Lamp Only)
EB= Generic Electronic Ballast
No. of Ballasts 1 or 2
Lamp Size 2=T12 8=T8 5=T5
(For Specific Electronic Ballast Specify Brand and Catalog Number)

GL=Internal Single Element Fusing
GM=Dual Element Fusing
EL4=Emergency Lighting self-contained.
EL8=Emergency Lighting self-contained.
RIF1=Radio Interference Suppressor
TH=(2) Top Watertite Hubs³
TEH=(2) Top & (2) End Watertite Hubs (All Watertite³ Hubs Have 1/2" Conduit Entry)
TILW=Tandem In-Line Wiring Option (Consult TILW Option Catalog Page)
PI/CP=Plug-In Option
RLS=Rotor-Lock Socket (T8 Lamps Only)

DEEP DIFFUSER

(Available for 4' Fixture Length)

To Complement Deep Diffuser Depth of 8' Fixture



NOTE For additional options, consult your Cooper Lighting Representative. Specifications and Dimensions subject to change without notice.

- ¹ Standard Ballast (Non-LE3).
- ² Contact Pre Sales Technical Support.
- ³ Optional VT2 1/2" Stem Bushing Available²
- ⁴ Ambient Thermal Conditions: Operating Ambient Temperature Limitations Are Applicable. Contact Sales Engineering for Full "Operating Temperature Range" of Specific Fixture.

SHIPPING INFORMATION

Catalog No.	Wt.
VRVT2-117 DR-WL	8 lbs.
VRVT2-217 DR-WL	8 lbs.
VRVT2-1BX40 DR-WL	8 lbs.
VRVT2-1BX50 DR-WL	8 lbs.
VRVT2-132 DR-WL	16 lbs.
VRVT2-148 DR-WL ¹	16 lbs.
VRVT2-248 DR-WL ¹	16 lbs.
8TVRVT2-132 DR-WL	31 lbs.
VRVT2-232 DR-WL	16 lbs.
8TVRVT2-232 DR-WL	31 lbs.

DL=Damp Location Labeled
WL=Wet Location Labeled

DD=Deep Diffuser (Available On 4' Fixtures. Deep Housing Standard On 8' Fixtures)

Free Manuals Download Website

<http://myh66.com>

<http://usermanuals.us>

<http://www.somanuals.com>

<http://www.4manuals.cc>

<http://www.manual-lib.com>

<http://www.404manual.com>

<http://www.luxmanual.com>

<http://aubethermostatmanual.com>

Golf course search by state

<http://golfingnear.com>

Email search by domain

<http://emailbydomain.com>

Auto manuals search

<http://auto.somanuals.com>

TV manuals search

<http://tv.somanuals.com>