

COOPER LIGHTING - SURE-LITES®



CCX SERIES

Polycarbonate
AC Only

Incandescent,
Fluorescent, LED Lamping

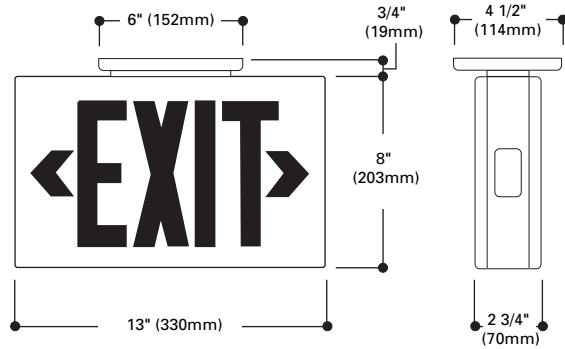
EXIT LIGHTING

- Dual voltage input 120/277 VAC, 60 Hz
- Injection molded, high impact, polycarbonate housing
- Designer white textured finish standard (Black Available-Fluorescent Only)
- AC LED: long life LED lamp modules
- AC fluorescent: two 5W F5TT lamps
- AC incandescent: two 145V, 15W T6 lamps (candelabra base)
- Ceiling, wall or end mountable
- Universal J-box mounting pattern
- Push-in power connectors facilitate installation
- Snap-fit canopy included
- Components are snap-fit construction, reinforcing ribs add strength
- Snap-out chevron directional indicators
- UL FTBR Listed with 2C option (7W Lamps Only. Fluorescent Exits Only.)
- Damp Location Listed, UL 924 Listed, Life Safety NFPA 101, CSA Certified, NEC/OSHA, most state and local codes, suitable for floor proximity installation
- Patent No. 5,735,498 and 5,678,336

DESCRIPTION

The CCX Series Contractor's Choice Exit is an economical, attractive, alternative to metal exits. Contemporary round corner styling, designer finish, and consistent family appearance enables it to blend with any decor. The tough injection molded polycarbonate materials resist discoloration. All components, including canopy and chevron directional indicators, are of snap-fit construction to facilitate installation.

DIMENSIONS



ORDERING INFORMATION

SAMPLE NUMBER: CCX20RWH

CCX

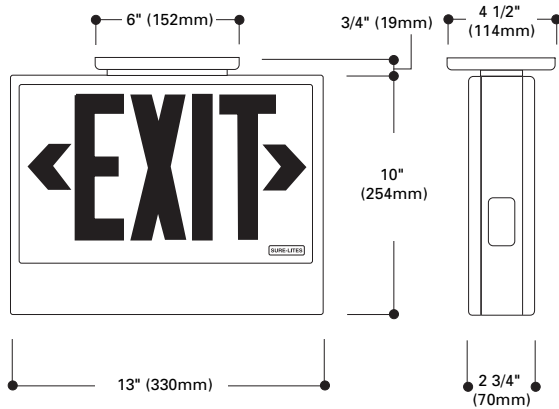
<p>Family CCX=Contractor's Choice Exit</p> <p>Series 2=AC Only with 145V, 15W T-6 AC Incandescent Lamps 4=AC Only with 5W F5TT Compact Fluorescent Lamps 6=AC only with LED Lite Stix™</p> <p>Face Options 0=Universal 1=Single Face 2=Double Face</p> <p>Battery Blank=No Battery</p>	<p>Factory Options Blank=No Options 65=Tamperproof Screws 95=AC Fire Alarm Interface (for Incandescent & LED)</p> <p>Letter Colors⁽¹⁾ R=Red G=Green RWO=Red on White⁽¹⁾ GWO=Green on White⁽¹⁾ WRO=White on Red⁽¹⁾ WGO=White on Green⁽¹⁾ O=Open Face⁽¹⁾</p>	<p>Housing Finishes BK=Black (Fluorescent Only) WH=White</p> <p>Voltage Blank=120 VAC 7=120/277 VAC (for Incandescent & Fluorescent) 7=277 VAC (LED only) 47=120/347 VAC (Incandescent only)</p>	<p>Factory Options 2C=Two Circuit Operation - includes 7W lamps (Fluorescent Only) C7=130V, 7W C-7 AC Incandescent Lamps (Incandescent Only) 7W=7W Compact Fluorescent Lamps (Fluorescent Only)</p> <p>Accessories (Order Separately) CCX18PKBK=18" Pendant Kit, Black CCX18PKWH=18" Pendant Kit, White CCX18PKHTBK=18" Hang-True Pendant Kit, Black CCX18PKHTWH=18" Hang-True Pendant Kit, White CCX6⁽²⁾=Two-Lamp 6V DC Lamp Kit CCX12⁽²⁾=Two-Lamp 12V DC Lamp Kit CCX63⁽²⁾=Three-Lamp 6V DC Lamp Kit CCX123⁽²⁾=Three-Lamp 12V DC Lamp Kit CCX277=277V Conversion Kit VRSD=Tamper Resistant Screwdriver WG10=Surface, Wire Guard WGS11=Ceiling, End Wire Guard VS1=Polycarbonate Vandal Shield VS1WP=Polycarbonate Vandal Shield - Weatherproof</p>
--	--	--	--

Energy Data

	Incandescent Exits									
	Input Power:		Input Current(Max.):				Power Factor:		T.H.D.:	
	120V	277V	120V	277V	120V	277V	120V	277V	120V	277V
Incandescent Exits -15W Lamps	23.1W	30.0W	.19A	.19A						
Incandescent Exits -7W Lamps	12.5W	19.6W	.10A	.17A						
	Fluorescent Exits									
	Fluorescent Exits -5W Lamps	16.3W	24.4W	.14A	.33A	>.97	>.27	<20%	<25%	
	Fluorescent Exits - 7W Lamps	18.0W	26.2W	.15A	.31A	>.97	>.33	<23%	<29%	
	Fluorescent Exits -7W Lamps (2C Option)8.7W	13.3W		.16A	.14A	>.45	>.34	<11%	<28%	
All ratings are per circuit										
	LED Exits									
	LED Exits- Red Letters	1.8W	2.6W	.09A	.11A	>.17	>.09	<18%	<10%	
	LED Exits - Green Letters	3.2W	4.5W	.08A	.10A	>.33	>.15	<28%	<16%	

NOTES: ⁽¹⁾ Available only for incandescent and fluorescent versions. GWO, RWO, WGO, and WRO are open face style lenses with "EXIT" legend. Use "O" option for ordering special wording-lenses ordered separately (consult your Cooper Lighting Representative). ⁽²⁾ Two-lamp kits are for use with white housings, three-lamp kits are required for black housings.
 Download from www.Somanuals.com. All Manuals Search And Download.

DIMENSIONS



DESCRIPTION

The CCX Series Contractor's Choice Exit is an economical, attractive, alternative to metal exits. Contemporary round corner styling, designer finish, and consistent family appearance enables it to blend with any decor. The tough injection molded polycarbonate materials resist discoloration. All components, including canopy and chevron directional indicators, are of snap-fit construction to facilitate installation.



CCX SERIES

Polycarbonate
Self-Powered

Incandescent,
Fluorescent,
LED Lamping

EXIT LIGHTING

ORDERING INFORMATION

SAMPLE NUMBER: CCX30RWHSD

CCX

Family
CCX=Contractor's
Choice Exit

Series
3=Self-Powered with
145V, 15W T-6 AC
Incandescent Lamps
5=Self-Powered with
5W F5TT Compact
Fluorescent Lamps
7=Self-Powered with
LED Lite Stix™

Face Options
0=Universal
1=Single Face
2=Double Face

Battery
Blank=Lead Calcium
70=Nickel Cadmium

Factory Options
Blank=No Options
20=Flasher
30=Flasher / Buzzer
65=Tamperproof
Screws
90=Self-Powered
Fire Alarm
Interface (except
fluorescent)

Letter Colors⁽¹⁾
R=Red
G=Green
RWO=Red on White⁽¹⁾
GWO=Green on White⁽¹⁾
WRO=White on Red⁽¹⁾
WGO=White on Green⁽¹⁾
O=Open Face⁽¹⁾

Housing Finishes
BK=Black
(Fluorescent Only)
WH=White

Voltage
Blank=120/277
VAC
47=120/347 VAC
(Series 3 and 7
only)

Factory Options
C7=130V, 7W C-7 AC
Incandescent Lamps
(Incandescent Only)
7W=7W Compact Fluorescent
Lamps (Compact fluorescent
Only)
SD=Self-Diagnostics

Accessories (Order Separately)
CCX18PKBK=18" Pendant Kit, Black
CCX18PKWH=18" Pendant Kit, White
CCX18PKHTBK=18" Hang-True
Pendant Kit, Black
CCX18PKHTWH=18" Hang-True
Pendant Kit, White
VRSD=Tamper Resistant Screwdriver
WG10=Surface, Wire Guard
WGS11=Ceiling, End Wire Guard
VS1=Polycarbonate Vandal Shield
VS1WP=Polycarbonate Vandal Shield -
Weatherproof

Energy Data

Charge Mode (Discharged Battery): Sealed Lead Calcium Battery

	Input Power:		Input Current(Max.):		Power Factor:		T.H.D.:	
	120V	277V	120V	277V	120V	277V	120V	277V
Incandescent Exits -15W Lamps	32W	32W	.28A	.12A	>.95	>.95	<17%	<19%
Incandescent Exits -7W Lamps	22W	22W	.20A	.09A	>.91	>.90	<24%	<26%
Fluorescent Exits -5W Lamps	25W	25W	.23A	.10A	>.90	>.90	<21%	<23%
Fluorescent Exits - 7W Lamps	28W	28W	.25A	.11A	>.93	>.92	<23%	<23%
LED Exits- Red Letters	10.4W	10.8W	.10A	.04A	>.89	>.88	<45%	<48%
LED Exits - Green Letters	11.9W	12.3W	.10A	.05A	>.96	>.94	<29%	<33%

Standby Mode (Fully Charged Battery) Sealed Lead Calcium Battery Input Power consumption is reduced by approximately 7.5 Watts in the standby operating mode

Sealed Nickel Cadmium Battery

Incandescent Exits -15W Lamps	26W	26W	.24A	.10A	>.94	>.93	<17%	<19%
Incandescent Exits -7W Lamps	15.8W	15.9W	.15A	.06A	>.84	>.83	<29%	<27%
Fluorescent Exits -5W Lamps	19.9W	19.6W	.20A	.08A	>.85	>.84	<29%	<31%
Fluorescent Exits - 7W Lamps	22W	21W	.21A	.09A	>.89	>.89	<31%	<31%
LED Exits- Red Letters	4.8W	4.7W	.05A	.02A	>.76	>.73	<63%	<68%
LED Exits - Green Letters	6.1W	6.0W	.06A	.03A	>.88	>.85	<47%	<52%

- Dual-voltage input 120/277VAC, 60Hz
- Injection molded, high impact, polycarbonate housing
- Designer white textured finish standard (black available - fluorescent only)
- AC LED: long life LED lamp modules
- AC fluorescent: two 5W F5TT lamps
- AC incandescent: two 145V, 15W T6 lamps (candelabra base)
- DC: two 6V, 3.6W lamps (white housing); three 6V, 3.6W lamps (black housing)
- Lead Calcium or Premium Nickel Cadmium battery
- Universal J-box mounting pattern
- Components are snap-fit construction, reinforcing ribs add strength
- Snap-fit canopy included
- Suitable for floor proximity installation
- Line-latching, Solid-State voltage limited charger, Solid-State switching, low-voltage disconnect, brownout circuit, overload/short-circuit protection, test switch/power indicator light
- UL 924 Listed, life safety NFPA 101, CSA Certified, NEC/OSHA, most state and local codes
- Patent No. 5,735,498 and 5,678,336

⁽¹⁾ Available only for incandescent and fluorescent versions. GWO, RWO, WGO, and WRO are open face style lenses with "EXIT" legend. Use "O" option for ordering special wording-lenses ordered separately (consult your Cooper Lighting Representative).

Free Manuals Download Website

<http://myh66.com>

<http://usermanuals.us>

<http://www.somanuals.com>

<http://www.4manuals.cc>

<http://www.manual-lib.com>

<http://www.404manual.com>

<http://www.luxmanual.com>

<http://aubethermostatmanual.com>

Golf course search by state

<http://golfingnear.com>

Email search by domain

<http://emailbydomain.com>

Auto manuals search

<http://auto.somanuals.com>

TV manuals search

<http://tv.somanuals.com>