



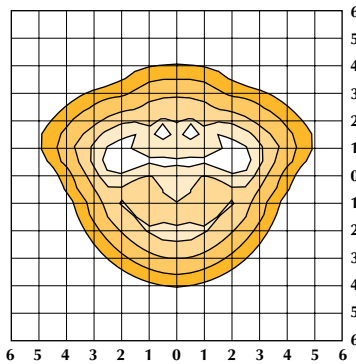
GENERATION
SERIES

CLASSICAL CLB-1
post top luminaire

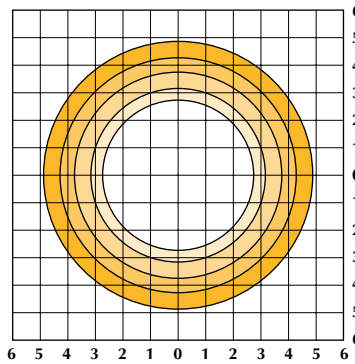
APPLICATION

The CLB series contemporary lines and style transitions to a more traditional fluted design. Its style makes an excellent transitional design for many of today's application. Great for today's trends of planned communities, outdoor retail applications and school campuses.

PHOTOMETRIC



REPORT #768227
15' Mounting Height
175-Watt MH, Type III Acrylic Refractor
14,000-Lumen Clear ED-28 Lamp



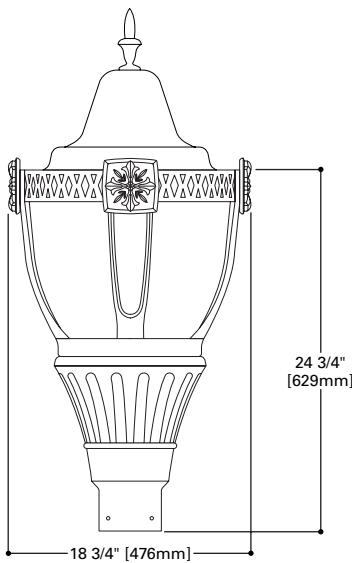
REPORT #768230
15' Mounting Height
175-Watt MH, Type V Acrylic Refractor
14,000-Lumen Clear ED-28 Lamp

FOOTCANDLE TABLE

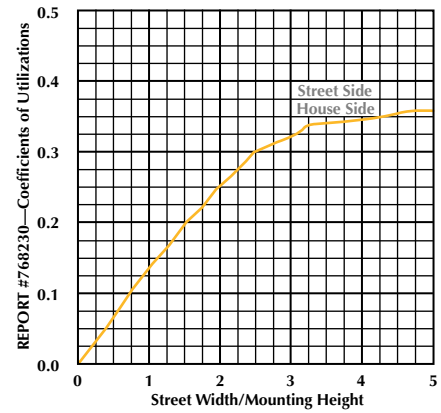
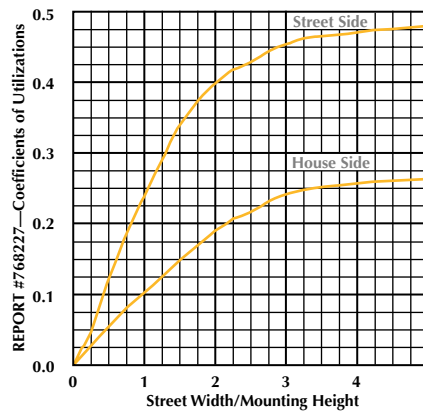
Select mounting height and read across for footcandle values of each isofootcandle line. Distance in units of mounting height.

Mounting Height	Footcandle Values for Isofootcandle Lines				
REPORT #768227					
10'	4.50	2.25	1.12	0.45	0.22
15'	2.00	1.00	0.50	0.20	0.10
20'	1.12	0.56	0.28	0.11	0.05
REPORT #768230					
10'	2.25	1.12	0.45	0.22	0.11
15'	1.00	0.50	0.20	0.10	0.05
20'	0.56	0.28	0.11	0.05	0.02

DIMENSIONS



COEFFICIENTS OF UTILIZATION

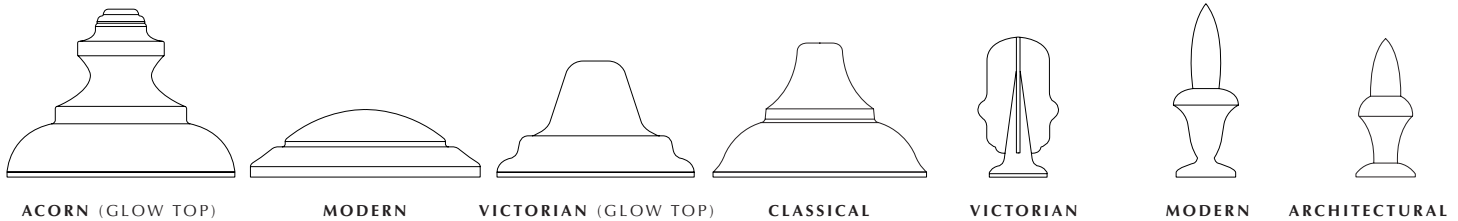


LUMENS OUTPUT & EFFICIENCY

REPORT #768227	LUMENS	PERCENT OF LAMP
Downward Street Side	6907.66	49.3
Downward House Side	3842.81	27.4
Downward Total	10750.47	76.8
Upward Street Side	1010.32	7.2
Upward House Side	779.1	5.6
Upward Total	1789.42	12.8
Total Flux	12539.89	89.6

REPORT #768230	LUMENS	PERCENT OF LAMP
Downward Street Side	5227.82	37.3
Downward House Side	5227.81	37.3
Downward Total	10455.63	74.7
Upward Street Side	938.26	6.7
Upward House Side	938.25	6.7
Upward Total	1876.51	13.4
Total Flux	12332.14	88.1

TOPS/FINIAL OPTIONS



ORDERING INFORMATION

CLB										
Product Family CLB=Classical	Lamp Wattage 50=50W 70=70W 10=100W 15=150W 17=175W 25=250W	Lamp Type M=Metal Halide S=High Pressure Sodium	Ballast Type R=Reac./NPF H=Reac./HPF N=Hi. Reac./NPF P=Hi. Reac./HPF W=CWA K=10KV CWA	Voltage 2=120V 0=208V 4=240V 7=277V 8=480V 9=347V W=Multi-Tap Wired 120V N=Multi-Tap Wired 277V	Refractor Type 33=Type III 55=Type V	Cage Type 1=Classical 2=Modern 3=Architectural X=None	Top Type 1=Acorn 2=Modern 3=Victorian 4=Classical	Finial Type 1=Victorian 2=Modern 3=Architectural X=None	Options (add as suffix) 1=Single Fuse (120, 277V) 2=Double Fused (208, 240 or 480V) 4=Internal NEMA Photocontrol Receptacle 6=White 8=Bronze B=Decorative Brass Banding † H=Hartford Green SY=Silver P=Polycarbonate Refractor R=Downlight Reflector A=Twistlock Refractor Accessories (order separately) AA1000=House Side Shield	

NOTE: † When brass banding is chosen, finial finished in gold. Specifications and Dimensions subject to change without notice.



Free Manuals Download Website

<http://myh66.com>

<http://usermanuals.us>

<http://www.somanuals.com>

<http://www.4manuals.cc>

<http://www.manual-lib.com>

<http://www.404manual.com>

<http://www.luxmanual.com>

<http://aubethermostatmanual.com>

Golf course search by state

<http://golfingnear.com>

Email search by domain

<http://emailbydomain.com>

Auto manuals search

<http://auto.somanuals.com>

TV manuals search

<http://tv.somanuals.com>