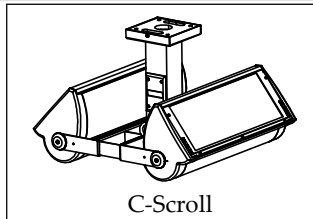
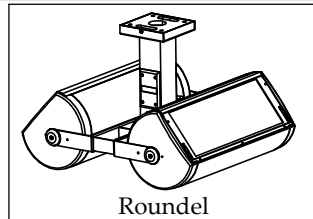


Vault



C-Scroll



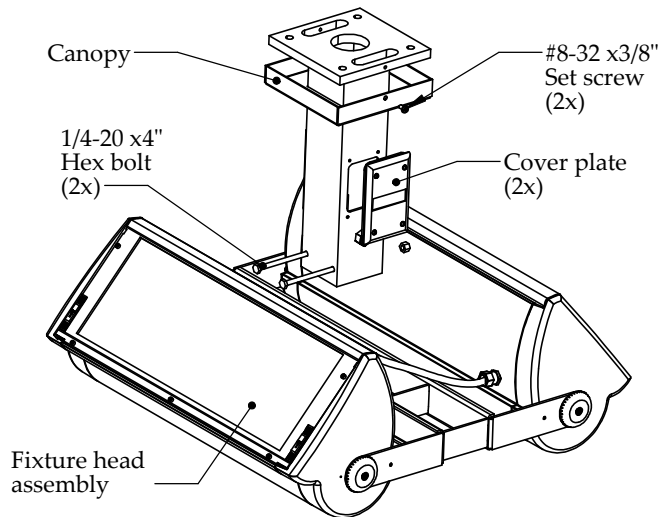
Roundel

These installation instructions are valid with the above Ametrix styles.

## Large, OUTDOOR P2R (Pendant, 2-way, Remote ballast) Visor and Non-Visor

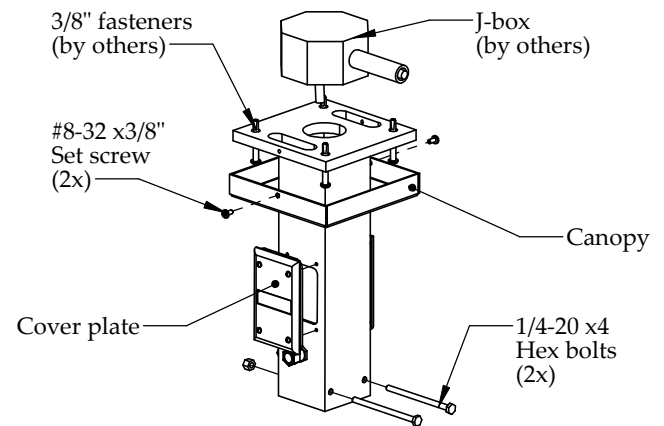
**Warning:** Before starting any work ensure that all sources of power are turned off. All work must meet local/national codes and be performed by a certified electrician. **Do not** mount fixtures vertically.

### Exploded view and part call-out



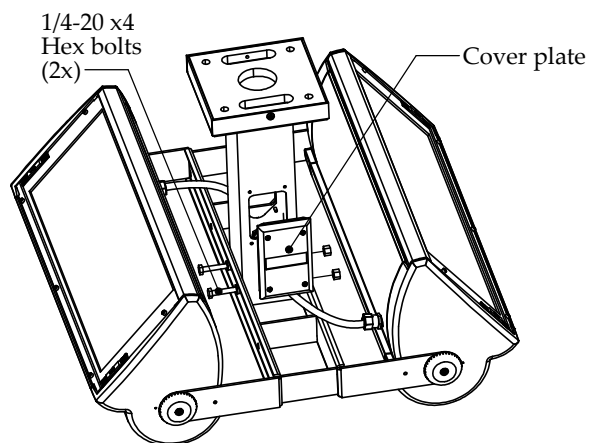
**Attention:**  
Large fixtures require additional bracing/structure around J-box to support fixture.

### 1 Securing pendant to ceiling



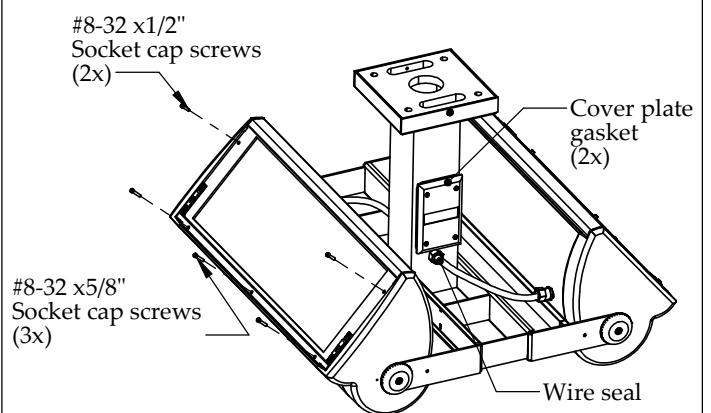
1. Remove both 1/4-20 x4 hex bolts from bottom of pendant.
2. Remove both #8-32 x3/8" set screws and allow canopy to slide down pendant.
3. Run wires from J-box into pendant, ensure there is enough wire to reach cover plate.
4. Using appropriate fasteners, secure fixture to ceiling. Use additional bracing if necessary.
5. Replace canopy and secure using both set screws.

### 2 Wiring the fixture

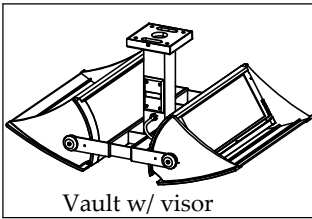


1. Slide fixture assembly onto pendant and secure with both 1/4-20 x4 hex bolts.
2. Attach appropriate wires and ensure all connections are properly matched
3. Secure cover plate

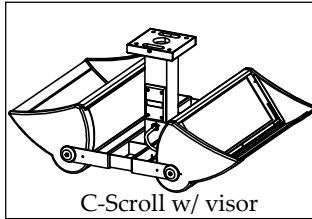
### 3 Sealing the fixture



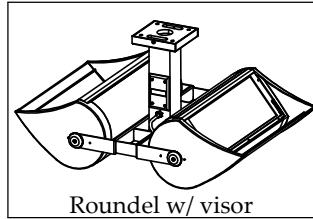
1. To seal fixture, ensure door is secured with provided socket cap screws. Secure #6-32 x1/2" socket cap screws above door latches.
2. Secure #6-32 x5/8" socket cap screws into bottom of door.
3. Refer to supplementary sheets for torque specs and aiming instructions.



Vault w/ visor



C-Scroll w/ visor



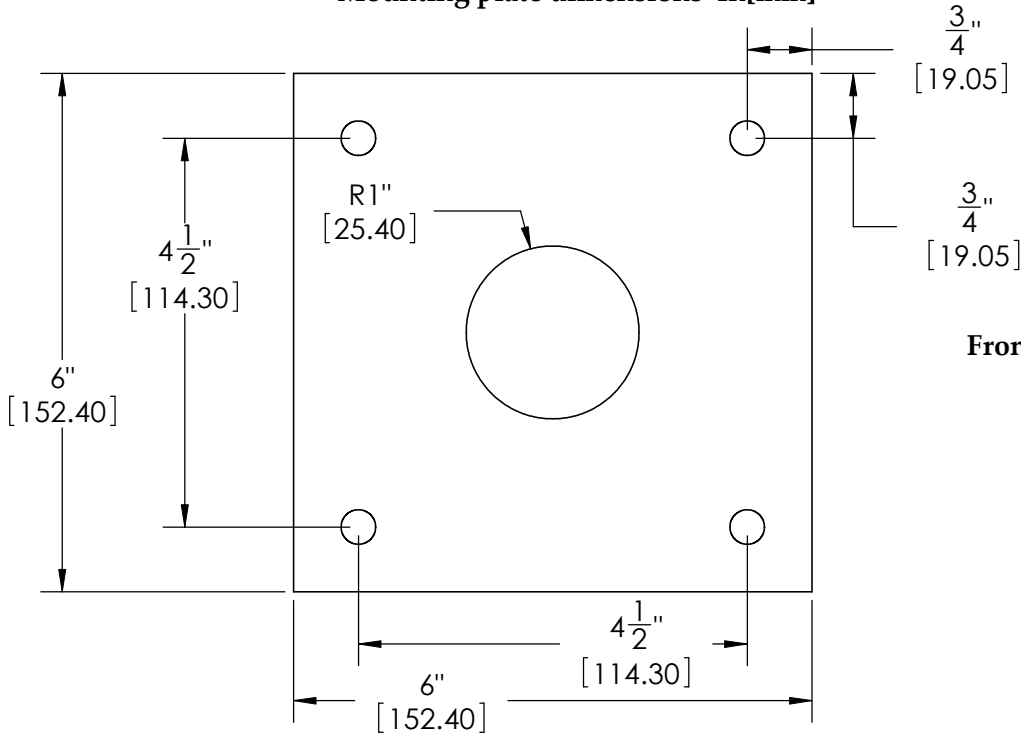
Roundel w/ visor

These installation instructions are valid with the above Ametrix styles

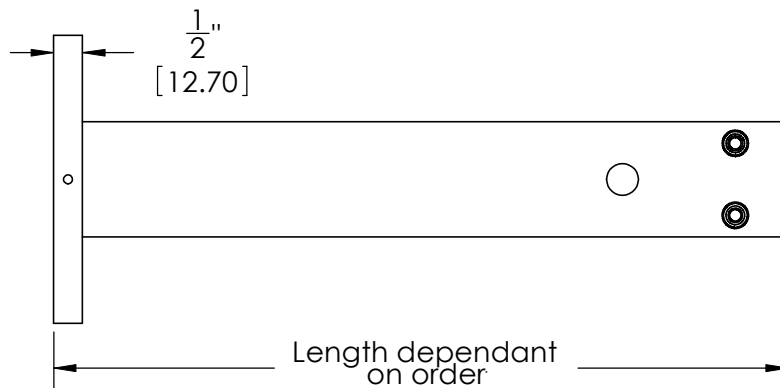
**Large, OUTDOOR  
P2R  
(Pendant, 2-way, Remote ballast)  
Visor and Non-Visor**

**Warning:** Before starting any work ensure that all sources of power are turned off. All work must meet local/national codes and be performed by a certified electrician. **Do not** mount fixtures vertically.

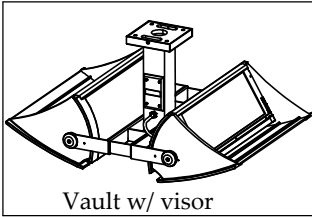
**Mounting plate dimensions In[mm]**



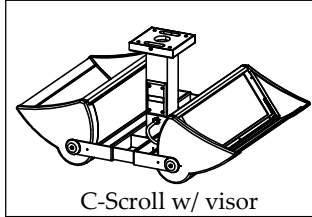
**Front View**



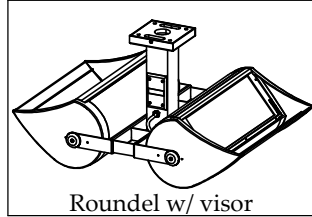
**Side View**



Vault w/ visor



C-Scroll w/ visor



Roundel w/ visor

These installation instructions are valid with the above Ametrix styles

**Large, OUTDOOR  
P2R  
(Pendant, 2-way, Remote ballast)  
Visor and Non-Visor**

**Warning:** Before starting any work ensure that all sources of power are turned off. All work must meet local/national codes and be performed by a certified electrician. **Do not** mount fixtures vertically.

**Lamping Size Chart**  
(lamps provided by others)

FIXTURE SIZE (inches/ mm)	WATTAGE	# OF LAMPS	LAMP TYPE	LAMP DESCRIPTION	Lamp (not to scale)
16 1/2 / 419.1	32 W	1	T4	Compact Fluorescent	
16 1/2 / 419.1	42 W	1	T4	Compact Fluorescent	
16 1/2 / 419.1	57 W	1	T4	Compact Fluorescent	
16 1/2 / 419.1	100 W	1	ED17	Ceramic Metal Halide	
16 1/2 / 419.1	150 W	1	T6	Ceramic Metal Halide	
16 1/2 / 419.1	175 W	1	ED17	Ceramic Metal Halide	
22 1/2 / 571.5 mm	250 W	1	ET18	Metal Halide	
22 1/2 / 571.5 mm	400 W	1	ET18	Metal Halide	
22 1/2 / 571.5 mm	150 W	2	T6	Ceramic Metal Halide	
22 1/2 / 571.5 mm	32 W	2	T4	Compact Fluorescent	
22 1/2 / 571.5 mm	42 W	2	T4	Compact Fluorescent	
22 1/2 / 571.5 mm	250 W	1	ET18	Metal Halide	
22 1/2 / 571.5 mm	400 W	1	ET18	Metal Halide	
22 1/2 / 571.5 mm	150 W	2	T6	Ceramic Metal Halide	
22 1/2 / 571.5 mm	350 W	1	T3	Halogen(Double Ended)	
22 1/2 / 571.5 mm	500 W	1	T3	Halogen(Double Ended)	
30 1/2 / 774.7	36 W	1	T5	Twin Tube	
30 1/2 / 774.7	40 W	1	T5	Twin Tube	
30 1/2 / 774.7	50 W	1	T5	Twin Tube	
30 1/2 / 774.7	55 W	1	T5	Twin Tube	
30 1/2 / 774.7	36 W	2	T5	Twin Tube	
30 1/2 / 774.7	40 W	2	T5	Twin Tube	
30 1/2 / 774.7	50 W	2	T5	Twin Tube	
30 1/2 / 774.7	55 W	2	T5	Twin Tube	
30 1/2 / 774.7	250 W	2	ET18	Metal Halide	
30 1/2 / 774.7	400 W	2	ET18	Metal Halide	
30 1/2 / 774.7	900 W	1	T3	Halogen(Double Ended)	
30 1/2 / 774.7	1000 W	1	T3	Halogen(Double Ended)	

## Free Manuals Download Website

<http://myh66.com>

<http://usermanuals.us>

<http://www.somanuals.com>

<http://www.4manuals.cc>

<http://www.manual-lib.com>

<http://www.404manual.com>

<http://www.luxmanual.com>

<http://aubethermostatmanual.com>

Golf course search by state

<http://golfingnear.com>

Email search by domain

<http://emailbydomain.com>

Auto manuals search

<http://auto.somanuals.com>

TV manuals search

<http://tv.somanuals.com>