

LXD DAYFORM LEXINGTON

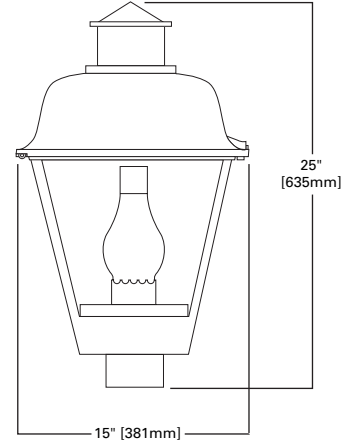
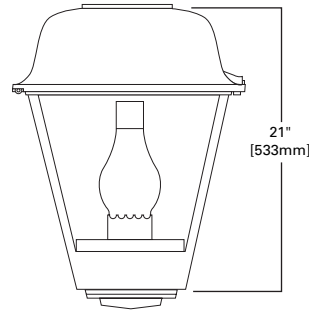
DECORATIVE LUMINAIRE

70-175W
MH/HPS



STREETWORKS™

OPTIONAL PENDANT MOUNT



HOUSING

Die-cast aluminum base housing. Standard color is black. Other finish colors available. Consult your Streetworks Representative. 1" ANSI wattage/source label.

TOP

Hinged die-cast aluminum top with cupola cover.

REFLECTOR

Anodized aluminum reflector with field adjustable socket.

REFRACTOR

Clear acrylic refractor panels.

CHIMNEY

Decorative glass chimney and brass holder.

SCREWS

Captive retaining screw.

STARTER

Plug-in starter.

TERMINAL BLOCK

Terminal block standard.

MOUNTING

Self-aligning pole-top fitter fits 2 3/8" and 3" O.D. tenons. Square headed 1 1/4" polymer coated mounting bolts.

ORDERING INFORMATION

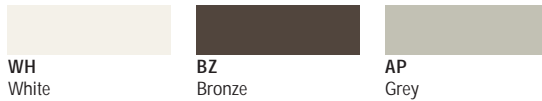
SAMPLE NUMBER: LXD70SR2334

PRODUCT FAMILY	LAMP WATTAGE ¹	LAMP TYPE ¹	BALLAST TYPE ¹	VOLTAGE ¹	DISTRIBUTION	OPTIONS (See Below)
LXD=Dayform Lexington	70=70W 10=100W 15=150W 17=175W	S=High Pressure Sodium M=Metal Halide ²	H=Reac./HPF ³ N=Hi. Reac./NPF R=Reac./NPF	2=120V	22=Type II 33=Type III	

OPTIONS [Must be ordered in alphanumeric order]

<p>OPTIONS (add as suffix)</p> <p>1=Single Fused, Internally Mounted (120 or 277V)</p> <p>4=Photocontrol Receptacle</p> <p>WH=White BZ=Bronze AP=Grey</p>	<p>P=Polycarbonate Lens Panels</p> <p>S=Snap Latches for Toolless Lamp Replacement</p> <p>T=3/4" Pendant Mount Provision</p> <p>U=UL/CSA Listed</p>
--	---

OPTIONAL COLORS [Standard color is black, other finish colors available. Consult your Cooper Lighting representative]

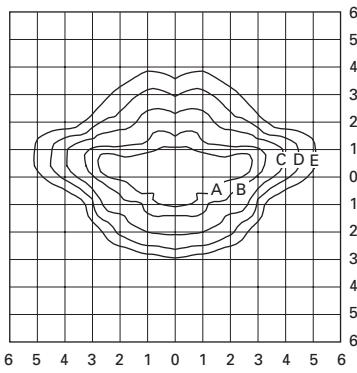


EPA:
Effective Projective Area: 1.7

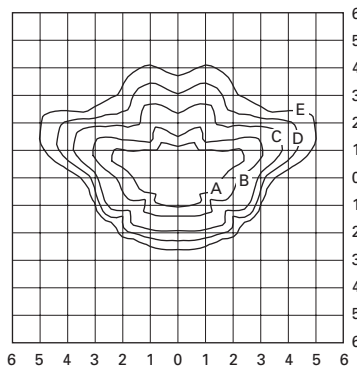
SHIPPING DATA
Approximate Net Weight:
25 lbs. (11 kgs.)

NOTE: 1 Refer to technical section for lamp/ballast/voltage compatibility. 2 Medium-base porcelain socket standard. 3 HPS only.

PHOTOMETRICS [Complete IES files available at www.cooperlighting.com]



LXD10S22.IES
 100-Watt HPS
 9,500-Lumen Lamp
 Type II



LXD10S33.IES
 100-Watt HPS
 9,500-Lumen Lamp
 Type III

FOOTCANDLE TABLE

Select mounting height and read across for footcandle values of each isofootcandle line. Distance in units of mounting height.

Mounting Height	Footcandle Values for Isofootcandle Lines				
	A	B	C	D	E
LXD10S22.IES					
12'	1.50	0.75	0.30	0.15	0.08
15'	1.00	0.50	0.20	0.10	0.05
20'	0.50	0.25	0.10	0.05	0.03
LXD10S33.IES					
12'	1.50	0.75	0.30	0.15	0.08
15'	1.00	0.50	0.20	0.10	0.05
20'	0.50	0.25	0.10	0.05	0.03

Free Manuals Download Website

<http://myh66.com>

<http://usermanuals.us>

<http://www.somanuals.com>

<http://www.4manuals.cc>

<http://www.manual-lib.com>

<http://www.404manual.com>

<http://www.luxmanual.com>

<http://aubethermostatmanual.com>

Golf course search by state

<http://golfingnear.com>

Email search by domain

<http://emailbydomain.com>

Auto manuals search

<http://auto.somanuals.com>

TV manuals search

<http://tv.somanuals.com>