

# MCGRAW-EDISON®



## PFM GALLERIA AND POLE COMBO

400 - 1000W

Metal Halide

20' - 30'

Square Straight Steel Pole

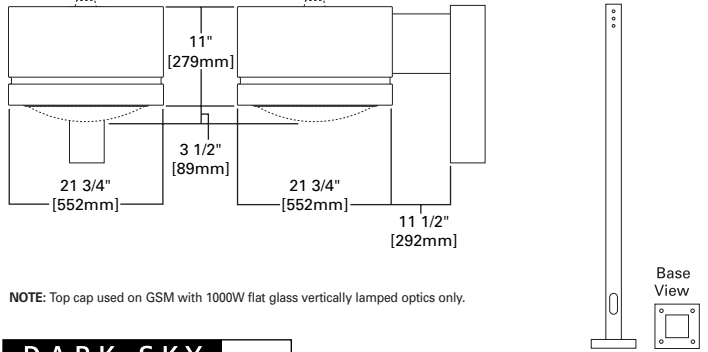
### POLE AND FIXTURE COMBO

- Formed aluminum housing with stamped reveal has interior-welded seams for structural integrity and is finished in premium TGIC polyester powder coat
- Ballast tray is hard-mounted to housing interior for cooler operation
- Spun and stamped aluminum reflector. Rotatable optics standard
- Formed aluminum door has heavy-duty hinges, captive retaining screws and is finished in premium TGIC polyester powder coat
- Long-life core and coil ballast
- Convex tempered glass lens or flat glass
- U.L. listed for wet locations. CSA certified

### DESCRIPTION

The McGraw-Edison Galleria Pole fixture combo features all you need for easy selection and installation of a full site lighting package. A square straight steel pole, 11 1/2" arm and necessary anchorage accompany the high quality formed aluminum Galleria housing. Available in single or dual fixture combinations.

### DIMENSIONS



NOTE: Top cap used on GSM with 1000W flat glass vertically lamped optics only.

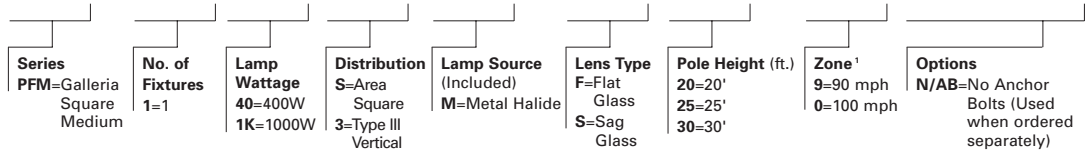


In all flat glass configurations.

E.P.A. 3.12

### ORDERING INFORMATION

SAMPLE NUMBER: PFM140SMS20



#### SINGLE FIXTURE [FLAT GLASS]

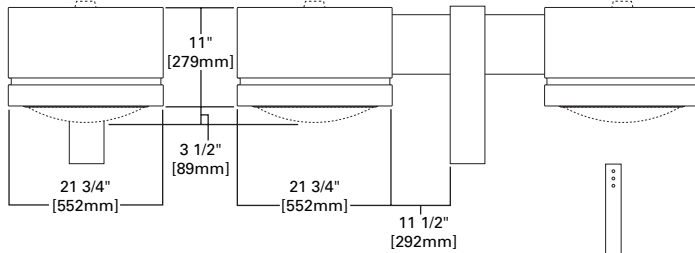
| Catalog Number  | Distribution      | 80 MPH Zone | 90 MPH Zone <sup>1</sup> | 100 MPH Zone <sup>1</sup> |
|---|-------------------|-------------|--------------------------|---------------------------|
| <b>20' 400W MH</b><br><i>(Square Straight Steel—4" Shaft)</i>                             | Area Square       | PFM140SMF20 | PFM140SMF20              | PFM140SMF20               |
|   | Type III Vertical | PFM1403MF20 | PFM1403MF20              | PFM1403MF20               |
| <b>25' 400W MH</b><br><i>(Square Straight Steel—4" Shaft &amp; 5" Shaft<sup>2</sup>)</i>  | Area Square       | PFM140SMF25 | PFM140SMF25              | PFM140SMF250 <sup>2</sup> |
|   | Type III Vertical | PFM1403MF25 | PFM1403MF25              | PFM1403MF250 <sup>2</sup> |
| <b>25' 1000W MH</b><br><i>(Square Straight Steel—4" Shaft &amp; 5" Shaft<sup>2</sup>)</i> | Area Square       | PFM11KSMF25 | PFM11KSMF25              | PFM11KSMF250 <sup>2</sup> |
|   | Type III Vertical | PFM11K3MF25 | PFM11K3MF25              | PFM11K3MF250 <sup>2</sup> |
| <b>30' 400W MH</b><br><i>(Square Straight Steel—5" Shaft &amp; 6" Shaft<sup>2</sup>)</i>  | Area Square       | PFM140SMF30 | PFM140SMF309             | PFM140SMF300 <sup>2</sup> |
|   | Type III Vertical | PFM1403MF30 | PFM1403MF309             | PFM1403MF300 <sup>2</sup> |
| <b>30' 1000W MH</b><br><i>(Square Straight Steel—5" Shaft &amp; 6" Shaft<sup>2</sup>)</i> | Area Square       | PFM11KSMF30 | PFM11KSMF309             | PFM11KSMF300 <sup>2</sup> |
|   | Type III Vertical | PFM11K3MF30 | PFM11K3MF309             | PFM11K3MF300 <sup>2</sup> |

#### SINGLE FIXTURE [SAG GLASS]

| Catalog Number  | Distribution      | 80 MPH Zone | 90 MPH Zone <sup>1</sup> | 100 MPH Zone <sup>1</sup> |
|---|-------------------|-------------|--------------------------|---------------------------|
| <b>20' 400W MH</b><br><i>(Square Straight Steel—4" Shaft)</i>                             | Area Square       | PFM140SMS20 | PFM140SMS20              | PFM140SMS20               |
|   | Type III Vertical | PFM1403MS20 | PFM1403MS20              | PFM1403MS20               |
| <b>25' 400W MH</b><br><i>(Square Straight Steel—4" Shaft &amp; 5" Shaft<sup>2</sup>)</i>  | Area Square       | PFM140SMS25 | PFM140SMS25              | PFM140SMS250 <sup>2</sup> |
|   | Type III Vertical | PFM1403MS25 | PFM1403MS25              | PFM1403MS250 <sup>2</sup> |
| <b>25' 1000W MH</b><br><i>(Square Straight Steel—4" Shaft &amp; 5" Shaft<sup>2</sup>)</i> | Area Square       | PFM11KSMS25 | PFM11KSMS25              | PFM11KSMS250 <sup>2</sup> |
|   | Type III Vertical | PFM11K3MS25 | PFM11K3MS25              | PFM11K3MS250 <sup>2</sup> |
| <b>30' 400W MH</b><br><i>(Square Straight Steel—5" Shaft &amp; 6" Shaft<sup>2</sup>)</i>  | Area Square       | PFM140SMS30 | PFM140SMS309             | PFM140SMS300 <sup>2</sup> |
|   | Type III Vertical | PFM1403MS30 | PFM1403MS309             | PFM1403MS300 <sup>2</sup> |
| <b>30' 1000W MH</b><br><i>(Square Straight Steel—5" Shaft &amp; 6" Shaft<sup>2</sup>)</i> | Area Square       | PFM11KSMS30 | PFM11KSMS309             | PFM11KSMS300 <sup>2</sup> |
|   | Type III Vertical | PFM11K3MS30 | PFM11K3MS309             | PFM11K3MS300 <sup>2</sup> |

NOTES: 1 0 or 9 are noted where needed to designate a heavier gauge pole, 2 Additional lead times may apply.  
Download from [www.Somanuals.com](http://www.Somanuals.com). All Manuals Search And Download.

**DIMENSIONS**



NOTE: Top cap used on GSM with 1000W flat glass vertically lamped optics only.



In all flat glass configurations.

**DESCRIPTION**

The McGraw-Edison Galleria Pole fixture combo features all you need for easy selection and installation of a full site lighting package. A square straight steel pole, 11 1/2" arm and necessary anchorage accompany the high quality formed aluminum Galleria housing. Available in single or dual fixture combinations.



**PFM GALLERIA AND POLE COMBO**

**400 - 1000W**

**Metal Halide**

**20' - 30'**

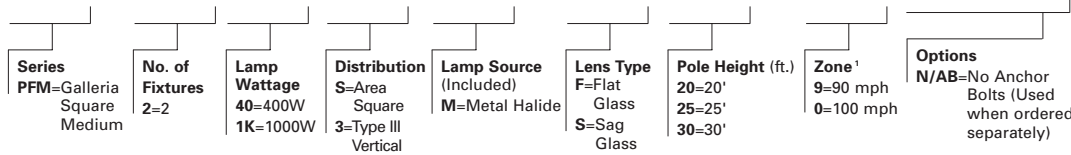
**Square Straight Steel Pole**

**POLE AND FIXTURE COMBO**

E.P.A. 6.24

**ORDERING INFORMATION**

SAMPLE NUMBER: PFM240SMS20



**DUAL FIXTURE [FLAT GLASS]**

| Catalog Number  | Distribution      | 80 MPH Zone | 90 MPH Zone <sup>1</sup>  | 100 MPH Zone <sup>1</sup> |
|---|-------------------|-------------|---------------------------|---------------------------|
| <b>20' 400W MH</b><br><i>(Square Straight Steel—4" Shaft &amp; 6" Shaft<sup>2</sup>)</i>  | Area Square       | PFM240SMF20 | PFM240SMF20               | PFM240SMF200 <sup>2</sup> |
|   | Type III Vertical | PFM2403MF20 | PFM2403MF20               | PFM2403MF200 <sup>2</sup> |
| <b>25' 400W MH</b><br><i>(Square Straight Steel—5" Shaft &amp; 6" Shaft<sup>2</sup>)</i>  | Area Square       | PFM240SMF25 | PFM240SMF25               | PFM240SMF250 <sup>2</sup> |
|   | Type III Vertical | PFM2403MF25 | PFM2403MF25               | PFM2403MF250 <sup>2</sup> |
| <b>25' 1000W MH</b><br><i>(Square Straight Steel—5" Shaft &amp; 6" Shaft<sup>2</sup>)</i> | Area Square       | PFM21KSMF25 | PFM21KSMF25               | PFM21KSMF250 <sup>2</sup> |
|   | Type III Vertical | PFM21K3MF25 | PFM21K3MF25               | PFM21K3MF250 <sup>2</sup> |
| <b>30' 400W MH</b><br><i>(Square Straight Steel—5" Shaft &amp; 6" Shaft<sup>2</sup>)</i>  | Area Square       | PFM240SMF30 | PFM240SMF309 <sup>2</sup> | PFM240SMF300 <sup>2</sup> |
|   | Type III Vertical | PFM2403MF30 | PFM2403MF309 <sup>2</sup> | PFM2403MF300 <sup>2</sup> |
| <b>30' 1000W MH</b><br><i>(Square Straight Steel—5" Shaft &amp; 6" Shaft<sup>2</sup>)</i> | Area Square       | PFM21KSMF30 | PFM21KSMF309 <sup>2</sup> | PFM21KSMF300 <sup>2</sup> |
|   | Type III Vertical | PFM21K3MF30 | PFM21K3MF309 <sup>2</sup> | PFM21K3MF300 <sup>2</sup> |

**DUAL FIXTURE [SAG GLASS]**

| Catalog Number  | Distribution      | 80 MPH Zone | 90 MPH Zone <sup>1</sup>  | 100 MPH Zone <sup>1</sup> |
|---|-------------------|-------------|---------------------------|---------------------------|
| <b>20' 400W MH</b><br><i>(Square Straight Steel—4" Shaft &amp; 5" Shaft<sup>2</sup>)</i>  | Area Square       | PFM240SMS20 | PFM240SMS20               | PFM240SMS200 <sup>2</sup> |
|   | Type III Vertical | PFM2403MS20 | PFM2403MS20               | PFM2403MS200 <sup>2</sup> |
| <b>25' 400W MH</b><br><i>(Square Straight Steel—5" Shaft &amp; 6" Shaft<sup>2</sup>)</i>  | Area Square       | PFM240SMS25 | PFM240SMS25               | PFM240SMS250 <sup>2</sup> |
|   | Type III Vertical | PFM2403MS25 | PFM2403MS25               | PFM2403MS250 <sup>2</sup> |
| <b>25' 1000W MH</b><br><i>(Square Straight Steel—5" Shaft &amp; 6" Shaft<sup>2</sup>)</i> | Area Square       | PFM21KSMS25 | PFM21KSMS25               | PFM21KSMS250 <sup>2</sup> |
|   | Type III Vertical | PFM21K3MS25 | PFM21K3MS25               | PFM21K3MS250 <sup>2</sup> |
| <b>30' 400W MH</b><br><i>(Square Straight Steel—5" Shaft &amp; 6" Shaft<sup>2</sup>)</i>  | Area Square       | PFM240SMS30 | PFM240SMS309 <sup>2</sup> | PFM240SMS300 <sup>2</sup> |
|   | Type III Vertical | PFM2403MS30 | PFM2403MS309 <sup>2</sup> | PFM2403MS300 <sup>2</sup> |
| <b>30' 1000W MH</b><br><i>(Square Straight Steel—5" Shaft &amp; 6" Shaft<sup>2</sup>)</i> | Area Square       | PFM21KSMS30 | PFM21KSMS309 <sup>2</sup> | PFM21KSMS300 <sup>2</sup> |
|   | Type III Vertical | PFM21K3MS30 | PFM21K3MS309 <sup>2</sup> | PFM21K3MS300 <sup>2</sup> |

- Formed aluminum housing with stamped reveal has interior-welded seams for structural integrity and is finished in premium TGIC polyester powder coat
- Ballast tray is hard-mounted to housing interior for cooler operation
- Spun and stamped aluminum reflector. Rotatable optics standard
- Formed aluminum door has heavy-duty hinges, captive retaining screws and is finished in premium TGIC polyester powder coat
- Long-life core and coil ballast
- Convex tempered glass lens or flat glass
- U.L. listed for wet locations. CSA certified

NOTES: 1 0 or 9 are noted where needed to designate a heavier gauge pole. 2 Additional lead times may apply.

## Free Manuals Download Website

<http://myh66.com>

<http://usermanuals.us>

<http://www.somanuals.com>

<http://www.4manuals.cc>

<http://www.manual-lib.com>

<http://www.404manual.com>

<http://www.luxmanual.com>

<http://aubethermostatmanual.com>

Golf course search by state

<http://golfingnear.com>

Email search by domain

<http://emailbydomain.com>

Auto manuals search

<http://auto.somanuals.com>

TV manuals search

<http://tv.somanuals.com>