

MCGRAW-EDISON®



PSL PARKING STRUCTURE LUMINAIRE

70 - 200 W

- Metal Halide**
- Pulse Start Metal Halide**
- High Pressure Sodium**
- Electrodeless Fluorescent**

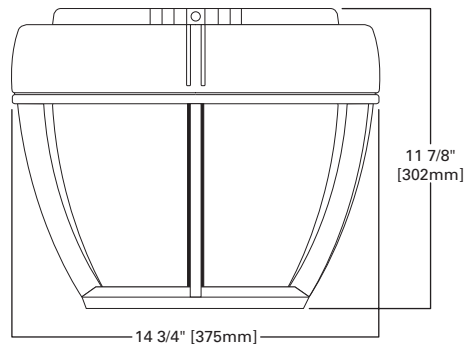
BOROSILICATE GLASS PARKING STRUCTURE LUMINAIRE

- Formed aluminum flush draw-action latches offer easy access to lamp compartment without tools and maintain integrity of seal when closed
- HID—4KV pulse rated medium-base with nickel-plated screw shell
- HID—HPF, -20° starting Dual-Tap standard. For use with up to 175W Metal Halide lamp, 150W High Pressure Sodium or 85W QL Induction
- Molded borosilicate glass refractor. Glass shock-absorbing system consists of 16 gauge steel ring to support the full round lens; the lens floats on the injection-molded silicone gasket for additional protection. Optional polycarbonate lens available
- Liquid injection-molded silicone gasket provides continuous seal between housing and refractor assembly
- U.L. listed and CSA certified for wet locations in all mounting positions; IP65 rated
- Approximate net weight: 34 lbs. (15 kgs.)

DESCRIPTION

The McGraw-Edison PSL Parking Structure Luminaire is a multi-purpose parking luminaire. The refractor provides proper 3D illumination for parking garages while the glare guard and light trespass shield add extra measure of visual comfort and control. The PSL improves drivers vision and pedestrian safety in parking garage facilities.

DIMENSIONS



ORDERING INFORMATION

SAMPLE NUMBER: PSL-175-MH-MT-WH

Product Family	Lamp Wattage	Lamp Type	Voltage ⁴	Color ⁸	Options & Accessories (See Below)
PSL=Parking Structure Luminaire	70=70W 85=85W ¹ 100=100W 150=150W 175=175W 200=200W ²	MH=Metal Halide MP=Pulse Start Metal Halide (CWA) ³ HPS=High Pressure Sodium QL=Electrodeless Fluorescent ¹	120=120V 208=208V 240=240V 277=277V 480=480V DT=Dual-Tap ⁵ MT=Multi-Tap ⁶ TT=Triple-Tap ⁷	WH=White AP=Grey BZ=Bronze BK=Black	

Options ⁹

- F=Single Fuse (120, 277 or 347V)
- FF=Double Fuse (208, 240 or 480V)
- EM=Quartz Restrike with Time Delay (Hot & Cold Restrike)
- Q=Quartz Restrike (Hot Restrike Only)
- EM/SC=Emergency Separate Circuit
- CT=Conduit Tap
- LAG=Less Antenna Guard ¹⁰
- PL=Polycarbonate Lens (AccUView Inhibitor Applied) ¹¹
- TR=Tamper Proof
- L=Lamp Included ¹²

Accessories ¹³

- PSL/BGL-XX=Bird Guard
- PSL/GG60=Glare Guard
- PSL/LTS-XX=Light Trespass Shield
- PSL/TM=Trunnion Mount Kit

NOTES: 1 85W QL Electrodeless Fluorescent only. Available with electronic ballast only. Specify 120V for 100-120V, 277V for 200-277V. 2 Pulse Start Metal Halide only. 3 175W and 200W only. 4 Product also available in non-US voltages and 50Hz for international markets. Consult factory for availability and ordering information. 5 Dual-Tap ballast is 120/277V wired 277V. 6 Multi-Tap ballast is 120/208/240/277V wired 277V. 7 Triple-Tap ballast is 120/277/347V wired 347V. 8 Other finish colors available, including a full line of RAL color matches. Consult your Cooper Lighting Representative. 9 Add as suffix in the order shown. 10 Removes standard cast aluminum protective cage assembly. 11 Maximum use of (2) GG60's or (2) LTS accessories when used with wattages in excess of 100W. 12 Lamp is shipped separate from luminaire. Lamp is Cooper designated product based on luminaire requirements. Specified lamps must be ordered as a separate line item. 13 Order separately, replace XX with color suffix. 14 Specifications and dimensions subject to change without notice.

Free Manuals Download Website

<http://myh66.com>

<http://usermanuals.us>

<http://www.somanuals.com>

<http://www.4manuals.cc>

<http://www.manual-lib.com>

<http://www.404manual.com>

<http://www.luxmanual.com>

<http://aubethermostatmanual.com>

Golf course search by state

<http://golfingnear.com>

Email search by domain

<http://emailbydomain.com>

Auto manuals search

<http://auto.somanuals.com>

TV manuals search

<http://tv.somanuals.com>