

# COOPER LIGHTING - SURE-LITES®



## ARCHITECTURAL EMERGENCY LIGHT SERIES

### DIE CAST ALUMINUM

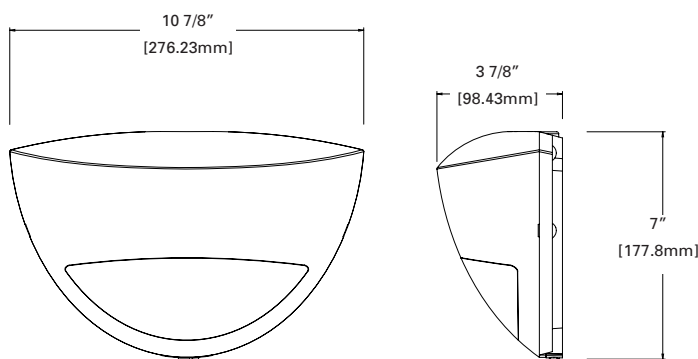
#### Emergency Light

- Dual-voltage input 120/277VAC, 60Hz
- Die cast aluminum housing with powder coat finish
- Three 6V 6W High output Xenon lamps
- Sealed Nickel Cadmium Battery Maintenance Free, Long Life, Full Recharge time, 24 Hours
- Watchguard EMS Self-Diagnostic System
- Photocell Test Switch (requires accessory LASER for activation)
- Universal Pattern Knockouts on rear of housing for direct mounting to junction box
- UV Stable Polycarbonate Lens
- Line-Latching, Solid-state Voltage Limited Charger, Low-Voltage Disconnect, Brownout Circuit, Overload/Short Circuit Protection, Test Switch/Power Indicator Light
- UL 924 Listed Self-Diagnostics, UL Outdoor Wet Location Listed (suitable for wet and damp locations), Life Safety NFPA 101, NEC/OSHA, Most State and Local Codes

### DESCRIPTION

The Sure-Lites Architectural Emergency Light is designed to provide superior illumination while blending into the surrounding space. The housing is constructed of die cast aluminum with an integral refractive polycarbonate lens. The emergency light's advanced optical design in conjunction with high output Xenon lamps provide maximum path of egress lighting performance. The Sure-Lites Architectural Emergency Light is listed for temperatures between -20°C and 40°C (-4°F and 104°F) and has silicone gaskets that provide protection from moisture and rain. [Remote unit temperature range: -40°C and 65°C (-40°F and 149°F)] Standard features include Watchguard EMS self-diagnostic system which meets NFPA 101 testing requirements and a FasTest photocell which enables remote testing of the emergency light.

### DIMENSIONS



### Self-Diagnostics

The self-diagnostic unit will automatically perform all tests required by UL924, and NFPA 101. The system indicates the status of the exit at all times using the LED indicator near the test switch on the side of the unit. A 90 minute battery power (emergency mode) simulation test will occur randomly once every six months.

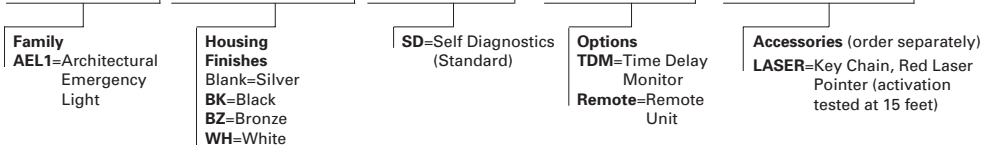
### ELECTRICAL RATINGS

Model	Rated Wattage to 87 1/2% of Rated D.C. Voltage		Lamp Information			
	DC Voltage	1 1/2 Hours	Type	Wattage	Number	Spacing <sup>1</sup>
<b>AEL1SD</b>	<b>6</b>	<b>18</b>	<b>Xenon</b>	<b>6 each</b>	<b>11549423</b>	<b>30.0'</b>

### ORDERING INFORMATION

SAMPLE NUMBER: AEL1SD

## AEL1



### ENERGY DATA

**AEL1SD**  
Input Current (Max.)  
120V = .10A  
277V = .07A



<sup>(1)</sup>The "Rule of Thumb" spacing guidelines are designed to achieve 1 foot-candle average and 0.1 foot-candle minimum with a 40:1 maximum/minimum ratio. The corridor used is 100 feet long, 9 foot ceiling with a 6 foot wide walkway and 3 foot path of egress. The reflectances are 80% ceiling, 50% walls and 20% floors. The fixture mounting height is 8.5 feet. Cooper Lighting assumes no responsibility for local requirements or specific project variables. This is a guideline to be used as a design aid, not as guarantee of any code compliance.  
Download from [www.somanuals.com](http://www.somanuals.com). All Manuals Search And Download.

## Free Manuals Download Website

<http://myh66.com>

<http://usermanuals.us>

<http://www.somanuals.com>

<http://www.4manuals.cc>

<http://www.manual-lib.com>

<http://www.404manual.com>

<http://www.luxmanual.com>

<http://aubethermostatmanual.com>

Golf course search by state

<http://golfingnear.com>

Email search by domain

<http://emailbydomain.com>

Auto manuals search

<http://auto.somanuals.com>

TV manuals search

<http://tv.somanuals.com>