



IMI CORNELIUS INC ■ One Cornelius Place ■ Anoka, MN 55303
Telephone (800) 238-3600 Facsimile (800) 535-4231

Operator's Manual

ICE/BEVERAGE DISPENSER

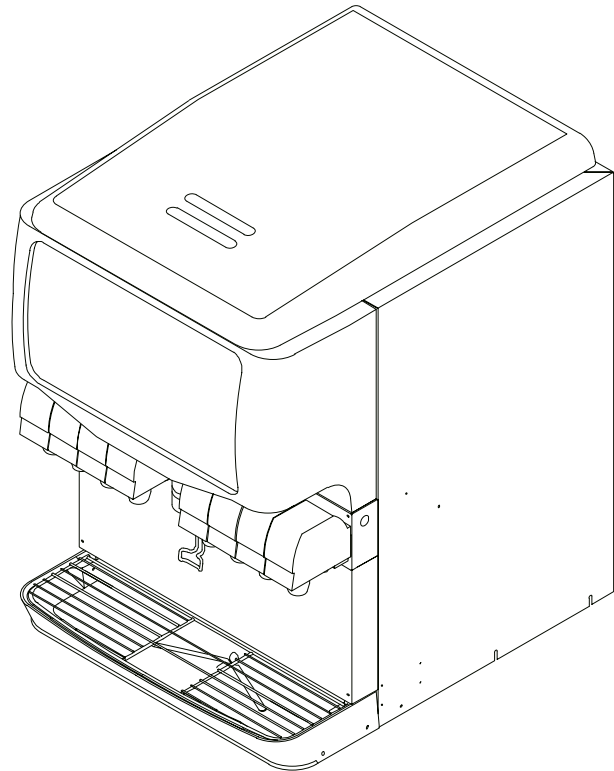
Model: Enduro-175 8 Valve

IMPORTANT:

TO THE INSTALLER.

It is the responsibility of the Installer to ensure that the water supply to the dispensing equipment is provided with protection against backflow by an air gap as defined in ANSI/ASME A112.1.2-1979; or an approved vacuum breaker or other such method as proved effective by test.

Water pipe connections and fixtures directly connected to a potable water supply shall be sized, installed, and maintained according to Federal, State, and Local Codes.



Part No. 620917901OPR
Release Date: March 1, 2004
Revision Date: N/A
Revision: A

THIS DOCUMENT CONTAINS IMPORTANT INFORMATION

This Manual must be read and understood before installing or operating this equipment

TABLE OF CONTENTS

| | Page |
|-----------------------------------------------------------|----------|
| MAINTENANCE | 1 |
| DAILY (OR AS REQUIRED) | 1 |
| WEEKLY (OR AS REQUIRED) | 1 |
| MONTHLY | 1 |
| START-UP & OPERATING INSTRUCTIONS | 1 |
| CLEANING INSTRUCTIONS | 1 |
| DISPENSER | 1 |
| BEVERAGE SYSTEM (IF APPLICABLE) | 2 |
| TROUBLESHOOTING | 5 |
| BLOWN FUSE OR CIRCUIT BREAKER. | 5 |
| GATE DOES NOT OPEN. AGITATOR DOES NOT TURN. | 5 |
| GATE DOES NOT OPEN OR IS SLUGGISH. AGITATOR TURNS. | 5 |
| ICE DISPENSES CONTINUOUSLY. | 5 |
| SLUSHY ICE WATER IN HOPPER. | 5 |
| BEVERAGES DO NOT DISPENSE. | 5 |
| BEVERAGES TOO SWEET. | 5 |
| BEVERAGES NOT SWEET ENOUGH. | 6 |
| BEVERAGES NOT COLD (UNITS WITH BUILT-IN COLD PLATE). | 6 |
| FLAVOR SYRUPS DO NOT DISPENSE. | 6 |
| FLAVOR DISPENSES FOR MORE THAN 1 SEC. | 6 |
| FLAVOR DISPENSES MOR THAN .5 OZ. | 6 |
| WARRANTY | 7 |

MAINTENANCE

The following dispenser maintenance should be performed at the intervals indicated:

DAILY (or as required)

Remove foreign material from vending area drip tray to prevent drain blockage.

WEEKLY (or as required)

Clean vending area. Check for proper water drainage from the vending area drip tray.

MONTHLY

Clean and sanitize the hopper interior and beverage system, if applicable (see CLEANING INSTRUCTIONS).

START-UP & OPERATING INSTRUCTIONS

Fill the hopper with ice. Dispense several large cups of ice (approximately 20 to 30 seconds total dispensing time) to allow ice to fill the cold plate cabinet. Add ice to the hopper as necessary to refill and replace the lid. Allow 10 to 15 minutes for the cold plate to cool down. Repeat this procedure whenever the dispenser has run out of ice. Start up the beverage system and adjust faucets to the proper brix. Contact your local syrup distributor for complete information on the beverage system.

In normal operation, pushing the ice dispenser mechanism will cause ice to flow from the ice chute. Ice flow will continue until the dispenser mechanism is released. Dispensing of any faucet will provide beverage of the appropriate flavor.



CAUTION: Use caution to avoid spilling ice when filling dispenser. Clean up immediately any spilled ice from filling or operating the unit. To prevent contamination of ice, the lid must be installed on the unit at all times.

If the dispenser fails to dispense ice or beverage see troubleshooting guide.

CLEANING INSTRUCTIONS



WARNING: Disconnect Power Before Cleaning! Do not use metal scrapers, sharp objects or abrasives on the ice storage hopper, top cover and the agitator disk, as damage may result. Do not use solvents or other cleaning agents, as they may attack the plastic material.

Soap solution - Use a mixture of mild detergent and warm (100 degrees F) potable water.

Sanitizing solution - Use 1/2 ounce of household bleach in 1 gallon of potable water. Preparing the sanitizing solution to this ratio will create a solution of 200 PPM.

DISPENSER

1. CLEANING EXTERIOR SURFACES

Important: Perform the following daily.

- A. Remove the cup rest from drip tray.
- B. Wash the drip tray with soap solution. Rinse with clean water and allow solution to run down the drain.

- C. Wash cup rest with soap solution and rinse in clean water. Install the cup rest into the drip tray.
- D. Clean all exterior surfaces with soap solution and rinse in clean water.

2. CLEANING INTERIOR SURFACES



CAUTION: When pouring liquid into the hopper, do not exceed the rate of 1/2 gallon per minute.

Important: Perform the following at least once a month.

- A. Remove agitator assembly.
- B. Using a nylon bristle brush or sponge, clean the interior of the hopper, top cover and agitator assembly with soap solution. Thoroughly rinse the hopper, cover and agitator surfaces with clean potable water.
- C. Reassemble agitator assembly. Take special care to ensure that the thumbscrew is tight.
- D. Using a mechanical spray bottle filled with sanitizing solution, spray the entire interior and agitator assembly. Allow to air dry.
- E. Remove merchandiser and ice chute cover from unit.
- F. With a nylon bristle brush or sponge, clean the inside of the ice chute, gasket, and cover with soap solution and rinse thoroughly to remove all traces of detergent.
- G. Reassemble ice chute assembly.
- H. Using a mechanical spray bottle filled with sanitizing solution, spray the inside of the ice chute. Allow to air dry.
- I. Reinstall merchandiser.

BEVERAGE SYSTEM (IF APPLICABLE)



WARNING: Disconnect Power Before Cleaning! Do not use metal scrapers, sharp objects or abrasives on the ice storage hopper, top cover and the agitator disk, as damage may result. Do not use solvents or other cleaning agents, as they may attack the plastic material.

Soap solution - Use a mixture of mild detergent and warm (100 degrees F) potable water.

Sanitizing solution - Use 1/2 ounce of household bleach in 1 gallon of potable water. Preparing the sanitizing solution to this ratio, the required solution of 200 PPM will be obtained.

Cleaning tank - Fill clean, empty tank with a mixture of mild detergent and five (5) gallons of warm potable water (120 degrees F).



CAUTION: When pouring liquid into the hopper, do not exceed the rate of 1/2 gallon per minute.

1. COLD PLATE

- A. Remove splash panel.
- B. Remove or move the plastic cold plate cover to expose the cold plate.
- C. Locate and remove any debris from the drain trough. Check that the drain holes are not clogged.
- D. Pour small amount of soap solution through cold plate openings in hopper.

- E. Using a cloth, wash down the surfaces of the cold plate and plastic cover with soap solution.
- F. Install and properly position the cover on the cold plate.
- G. Install the splash panel in the reverse order it was removed.
- H. Rinse cold plate surface by pouring potable water through hopper openings.

2. DISPENSING VALVES

Refer to addendum supplied with the unit that is applicable to the manufacturer of the valves installed on the unit.

3. PRODUCT TUBING

Only trained and qualified persons should perform these cleaning and sanitizing procedures.

A. Sanitize tank systems, Post-Mix and Pre-Mix

- a. Remove all the quick disconnects from all the tanks. Fill a suitable pail or bucket with soap solution.
- b. Submerge all disconnects (gas and liquid) in the soap solution and then clean them using a nylon bristle brush. (**Do not use a wire brush**). Rinse with clean water.
- c. Prepare sanitizing solution and using a mechanical spray bottle, spray the disconnects. Allow to air dry.
- d. Using a clean, empty tank, prepare five (5) gallons of the sanitizing solution. Rinse the tank disconnects with approximately 9 oz. of the sanitizing solution. Close the tank.
- e. Prepare cleaning tank by filling clean five (5) gallon tank with a mixture of mild detergent and potable water (120° F).
- f. Connect a gas disconnect to the tank and then apply one of the product tubes to the cleaning tank. Operate the appropriate valve until liquid dispensed is free of any syrup.
- g. Disconnect cleaning tank and hook up sanitizing tank to syrup line and CO₂ system.
- h. Energize beverage faucet until chlorine sanitizing solution is dispensed through the faucet. Flush at least two (2) cups of liquid to ensure that the sanitizing solution has filled the entire length of the syrup tubing.
- i. Allow sanitizer to remain in lines for fifteen (15) minutes.
- j. Repeat the step above, applying a different product tube each time until all tubes are filled with the sanitizing solution.
- k. For post-mix valves, remove the nozzle and syrup diffuser and clean them in a mild soap solution. Rinse with clean water and reassemble the nozzle and syrup diffuser to the valve.
- l. For pre-mix valves, disconnect all product tubes from the tank of sanitizing solution and then open the valves to allow the pressure to be relieved. Remove the valves from the dispenser, disassemble and wash thoroughly in a mild soap solution.
- m. Rinse the parts in clean water, reassemble the valve and reconnect it to the dispenser.
- n. Discard the tank of sanitizing solution and reconnect the product (syrup or pre-mix) tanks. Operate the valves until all sanitizer has been flushed from the system and only product (syrup or pre-mix) is flowing.

B. Sanitize syrup lines, B-I-B Systems

- a. Remove all the quick disconnects from all the B-I-B containers.
- b. Fill a suitable pail or bucket with soap solution.
- c. Submerge all disconnects (gas and liquid) in the soap solution and then clean them using a nylon bristle brush. (**Do not use a wire brush**). Rinse with clean water.
- d. Using a plastic pail, prepare approximately five (5) gallons of sanitizing solution.
- e. Rinse the B-I-B disconnects in the sanitizing solution.
- f. Sanitizing fittings must be attached to each B-I-B disconnect. If these fittings are not available, the fittings from empty B-I-B bags can be cut from the bags and used. These fittings open the disconnect so the sanitizing solution can be drawn through the disconnect.
- g. Place all the B-I-B disconnects into the pail of sanitizing solution. Operate all the valves until the sanitizing solution is flowing from the valve. Allow sanitizer to remain in lines for fifteen (15) minutes.
- h. Remove the nozzle and syrup diffuser from each valve and clean them in a soap solution. Rinse with clean water and reassemble the nozzle and syrup diffuser to the valve.
- i. Remove the sanitizing fittings from the B-I-B disconnects and connect the disconnects to the appropriate B-I-B container. Operate the valves until all sanitizer has been flushed from the system and syrup is flowing freely.

C. Sanitize Flavor syrup lines, B-I-B System

- a. Remove all the quick disconnects from all the B-I-B containers.
- b. Fill a suitable pail or bucket with soap solution.
- c. Submerge all disconnects (gas and liquid) in the soap solution and then clean them using a nylon bristle brush. (**Do not use a wire brush**). Rinse with clean water.
- d. Using a plastic pail, prepare approximately five (5) gallons of sanitizing solution.
- e. a. Rinse the B-I-B disconnects in the sanitizing solution.
- f. b. Sanitizing fittings must be attached to each B-I-B disconnect. If these fittings are not available, the fittings from the empty B-I-B bags can be cut from the bags and used. These fittings open the disconnect so the sanitizing solution can be drawn through the disconnect.
- g. c. Place all the B-I-B disconnects into the pail of sanitizing solution. 'Purge' all the flavor valves until the sanitizing solution is flowing from inner nozzle. This can easily be accomplished by holding down each keypad button for at least 15 seconds. After 15 seconds the valve will go into 'purge' mode and continuously dispense for the next 60 seconds. Allow sanitizer to remain in lines for at least thirty (30) minutes.
- h. Remove nozzle cover (outer nozzle) from flavor module housing. Clean in a soap solution and rinse with clean water.
- i. Remove the sanitizing fittings from the B-I-B disconnects and connect the disconnects to the appropriate B-I-B container. Operate the flavor valves until all sanitizer has been flushed from the system and flavor syrup is flowing freely.

TROUBLESHOOTING

IMPORTANT: Only qualified personnel should service internal components or electrical wiring.



WARNING: If repairs are to be made to a product system, remove quick disconnects from the applicable product tank, then relieve the system pressure before proceeding. If repairs are to be made to the CO₂ system, stop dispensing, shut off the CO₂ supply, then relieve the system pressure before proceeding. If repairs are to be made to the refrigeration system, make sure electrical power is disconnected from the unit.

Should your unit fail to operate properly, check that there is power to the unit and that the hopper contains ice. If the unit does not dispense, check the following chart under the appropriate symptoms to aid in locating the defect.

| Trouble | Probable Cause |
|----------------------------------------------------|-----------------------------------------------------------------------------------------------------------------------------------------------------------------------------------------------------------------|
| BLOWN FUSE OR CIRCUIT BREAKER. | <ul style="list-style-type: none"> A. Short circuit in wiring. B. Defective gate solenoid. C. Defective agitator motor. |
| GATE DOES NOT OPEN. AGITATOR DOES NOT TURN. | <ul style="list-style-type: none"> A. No power. B. Bent depressor plate (does not actuate switch). C. Defective dispensing switch. |
| GATE DOES NOT OPEN OR IS SLUGGISH. AGITATOR TURNS. | <ul style="list-style-type: none"> A. Defective gate solenoid. B. Excessive pressure against gate slide. C. Defective rectifier. |
| ICE DISPENSES CONTINUOUSLY. | <ul style="list-style-type: none"> A. Stuck or bent depressor plate (does not release switch). B. Defective dispensing switch. C. Improper switch installation. |
| SLUSHY ICE. WATER IN HOPPER. | <ul style="list-style-type: none"> A. Blocked drain. B. Unit not level. C. Poor ice quality due to water quality or icemaker problems. D. Improper use of flaked ice. |
| BEVERAGES DO NOT DISPENSE. | <ul style="list-style-type: none"> A. No 24 volt power to faucets. B. No CO₂ pressure. |
| BEVERAGES TOO SWEET. | <ul style="list-style-type: none"> A. Carbonator not working. B. No CO₂ pressure in carbonator. C. Faucet brix requires adjusting. |

| Trouble | Probable Cause |
|------------------------------------------------------|-------------------------------------------------------------------------------------------------------------------------------------------------------------------------------------------------------------------------------------------------------------------------------------------------------------------------------------------------------------------------------------------------|
| BEVERAGES NOT SWEET ENOUGH. | <ul style="list-style-type: none"> A. Empty syrup tank. B. Faucet brix requires adjusting. |
| BEVERAGES NOT COLD (UNITS WITH BUILT-IN COLD PLATE). | <ul style="list-style-type: none"> A. Unit standing with no ice in hopper – no ice in cold plate cabinet. |
| FLAVOR SYRUPS DO NOT DISPENSE. | <ul style="list-style-type: none"> A. No 24 volt power to PC board. B. No CO2 pressure. C. Empty syrup tank. D. Kinked tubing. E. Clogged inner nozzle. F. Defective PC board. G. Defective harness from keypad. H. Defective Flow control. I. Defective solenoid harness. J. Defective keypad. |
| FLAVOR DISPENSES FOR MORE THAN 1 SEC. | <ul style="list-style-type: none"> A. Dip switch settings on control board incorrect. B. PC board defective. C. Defective flow control. |
| FLAVOR DISPENSES MORE THAN .5 OZ. | <ul style="list-style-type: none"> A. Dip switch settings on control board incorrect. B. Flow control incorrectly set. C. PC board defective. D. Defective flow control. |

Contact your local syrup or beverage equipment distributor for additional information and troubleshooting of beverage system.



IMI CORNELIUS INC.
ONE CORNELIUS PLACE
ANOKA, MN. 55303-6234
TELEPHONE (800) 238-3600
FACSIMILE (800) 535-4231

WARRANTY

IMI Cornelius Inc. and Remcor Products Company warrant that all equipment and parts are free from defects in material and workmanship under normal use and service. For a copy of the warranty applicable to your Cornelius and or Remcor product, in your country, please write, fax or telephone the IMI Cornelius office nearest you. Please provide the equipment model number and the date of purchase.

IMI Cornelius Offices

AUSTRALIA • P.O. 210, • RIVERWOOD, • NSW 2210, AUSTRALIA • (61) 2 533 3122 • FAX (61) 2 534 2166
AUSTRIA • AM LANGEN FELDE 32 • A-1222 • VIENNA, AUSTRIA • (43) 1 233 520 • FAX (43) 1-2335-2930
BELGIUM • BOSKAPPELLEI 122 • B-2930 BRAASCHAAT, BELGIUM • (32) 3 664 0552 • FAX (32) 3 665 2307
BRAZIL • RUA ITAOCARA 97 • TOMAS COELHO • RIO DE JANEIRO, BRAZIL • (55) 21 591 7150 • FAX (55) 21 593 1829
ENGLAND • TYTHING ROAD ALCESTER • WARWICKSHIRE, B49 6 EU, ENGLAND • (44) 789 763 101 • FAX (44) 789 763 644
FRANCE • 71 ROUTE DE ST. DENIS • F-95170 DEUIL LA BARRE • PARIS, FRANCE • (33) 1 34 28 6200 • FAX (33) 1 34 28 6201
GERMANY • CARL LEVERKUS STRASSE 15 • D-4018 LANGENFELD, GERMANY • (49) 2173 7930 • FAX (49) 2173 77 438
GREECE • 488 MESSOGION AVENUE • AGIA PARASKEVI • 153 42 • ATHENS, GREECE • (30) 1 600 1073 • FAX (30) 1 601 2491
HONG KONG • 1104 TAIKOTSUI CENTRE • 11-15 KOK CHEUNG ST • TAIKOKTSUE, HONG KONG • (852) 789 9882 • FAX (852) 391 6222
ITALY • VIA PELLIZZARI 11 • I-20059 • VIMARCATE, ITALY • (39) 39 608 0817 • FAX (39) 39 608 0814
NEW ZEALAND • 20 LANSFORD CRES. • P.O. BOX 19-044 AVONDALE • AUCKLAND 7, NEW ZEALAND • (64) 9 8200 357 • FAX (64) 9 8200 361
SINGAPORE • 16 TUAS STREET • SINGAPORE 2263 • (65) 862 5542 • FAX (65) 862 5604
SPAIN • POLIGONO INDUSTRIAL • RIERA DEL FONOLLAR • E-08830 SANT BOI DE LLOBREGAT • BARCELONA, SPAIN • (34) 3 640 2839 • FAX (34) 3 654 3379
USA • ONE CORNELIUS PLACE • ANOKA, MINNESOTA • (763) 421-6120 • FAX (763) 422-3255

IMI CORNELIUS INC.

Corporate Headquarters:

One Cornelius Place
Anoka, Minnesota 55303-6234
(763) 421-6120
(800) 238-3600

Free Manuals Download Website

<http://myh66.com>

<http://usermanuals.us>

<http://www.somanuals.com>

<http://www.4manuals.cc>

<http://www.manual-lib.com>

<http://www.404manual.com>

<http://www.luxmanual.com>

<http://aubethermostatmanual.com>

Golf course search by state

<http://golfingnear.com>

Email search by domain

<http://emailbydomain.com>

Auto manuals search

<http://auto.somanuals.com>

TV manuals search

<http://tv.somanuals.com>