



# 2323 Universal

## Drop-In Post-Mix Dispenser



### Features:

- Ice chest has 80 lb. capacity
- Foamed polyurethane insulation
- Key lock switch conveniently located on tower
- Large, extended drip tray provides extra room for cup staging and is removable for ease in cleaning
- High capacity 9/12 circuit sealed in 19" x 21" aluminum cold plate
- Comes standard with 5, 6 or 8 UF-1 fast flow electric valves (8 flavor requires two ambient syrups)
- Six 3/8" barb syrup fittings, one 3/8" for water, two 3/8" for carbonated water
- Front inlet fitting location
- Available with or without lighted merchandiser
- Available with a cabinet stand



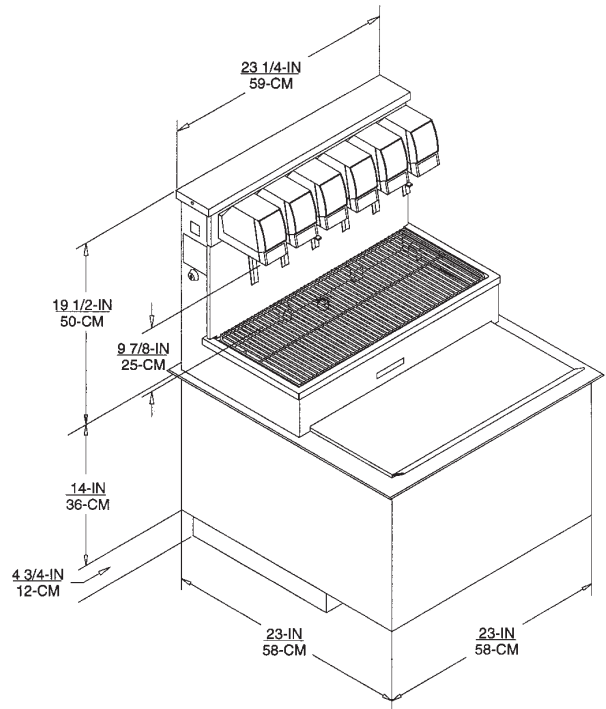
# 2323 Universal

## Technical Specifications:

**Drop-in Unit Countertop Cut-out:** 23-1/4" x 23-1/4"

**Electrical Rating:** Dispensing valves 24 VAC (power supply requires 115V / 60 Hz / 1.5A)

## Agency Listings:



| Model No.  | Part No.  | Description  | Shipping Weight    |
|------------|-----------|--|--------------------|
| CB2323-AK5 | 631100048 | Drop-in dispenser with five fast flow UF-1 valves, 80 lb. bin  | 200 lbs. / 91 kgs. |
| CB2323-AK6 | 631100049 | Drop-in dispenser with six fast flow UF-1 valves, 80 lb. bin   | 200 lbs. / 91 kgs. |
| CB2323-AK8 | 631100050 | Drop-in dispenser with eight fast flow UF-1 valves, 80 lb. bin                                       | 201 lbs. / 92 kgs. |
| CB2323     | 162111002 | Drop-in ice chest with sealed in nine circuit cold plate slotted rim for mounting of Universal Tower | 145 lbs. / 66 kgs  |
| C-2123     | 162111004 | Drop-in ice chest with sealed in nine circuit cold plate   | 145 lbs. / 66 kgs. |
| C-2123     | 162540000 | Drop-in ice chest without sealed in cold plate   | 45 lbs. / 20 kgs.  |
|            | 165492000 | Cabinet stand – turns 2323 drop-in into a freestanding unit  | 61 lbs. / 28 kgs.  |



For more information or to place an order, contact your sales representative or authorized distributor.

### In the US:

Phone: 1-800-238-3600

Fax: 1-800-535-4235

### Outside the US:

Phone: 1-763-421-6120

Fax: 1-763-422-3297

### IMI Cornelius Inc.

One Cornelius Place  
Anoka, MN 55303-6234  
USA

## Free Manuals Download Website

<http://myh66.com>

<http://usermanuals.us>

<http://www.somanuals.com>

<http://www.4manuals.cc>

<http://www.manual-lib.com>

<http://www.404manual.com>

<http://www.luxmanual.com>

<http://aubethermostatmanual.com>

Golf course search by state

<http://golfingnear.com>

Email search by domain

<http://emailbydomain.com>

Auto manuals search

<http://auto.somanuals.com>

TV manuals search

<http://tv.somanuals.com>