



IMI CORNELIUS INC ■ One Cornelius Place ■ Anoka, MN 55303-6234

Telephone (800) 238-3600

Facsimile (612) 422-3246

## INSTALLATION INSTRUCTIONS

### WHITE RODGERS ICE BANK CONTROL KIT (P/N 569000263) ON UNIVERSAL C-750 PRE-MIX DISPENSERS KIT FITS MODELS 2849949200, 2849949020, 2849959200, and 2849959020

**IMPORTANT:** All old parts (Ice bank Control Module and Mounting Bracket, Ice Bank Control Probe, and the Ice Bank Control Probe Holder) *must* be returned to IMI Cornelius Inc, Attention: John Engstrom. Send returned parts to the above address.

Read and understand these instructions thoroughly before installing this kit. Retain these instructions as part of your equipment manual.

Table 1. Loose-Shipped Parts

Item No.	Part No.	Name	Qty.
1	315794000	Ice Bank Control, White Rodgers	1
2	3528	Box, Ice Bank Control	1
3	186125000	Grommet,	1
4	313457000	Label, Hazard Shock	1
5	187188000	Screw, Machine, No. 8-32 X .250	2
6	3529	Holder, Control Bulb	1
7	180024000	O-Ring	2
8	3575	Electrical Wire, Black	1
9	3576	Electrical Wire, Red	1
10	325282000	Screw, Self Drilling, No. 8-18 Thread X .500 Long, No. 2 Point	2
11	32038900	Snap Bushing	1
12	040056000	Wire Tie	4
13	8901	Electrical Wire Terminal	1
14	330181000	Hex Nut	1

### PREPARING DISPENSER FOR KIT INSTALLATION



**WARNING:** To avoid possible fatal electrical shock or serious injury to Installer, make sure Dispenser is disconnected from power source before attempting to install this kit.

**NOTE: Only qualified Personnel should install this Kit.**

1. Disconnect Unit product inlet lines from product tanks, then open dispensing valves to relieve systems pressures.
2. Disconnect electrical power from the Unit, open hinged top cover, then drain water tank.



**CAUTION: Never use an ice pick or other instrument to remove ice from the refrigeration system evaporator coils. Such practice can result in a punctured refrigeration circuit.**

3. Allow ice to melt from the evaporator coils. Hot water may be used to speed up melting. ***All ice must be melted from the evaporator coils.***
4. Remove screws securing handle on the Unit, then remove handle.
5. Disconnect large black terminals labeled “A”, “B”, and “C” from the ice bank control module.
6. Remove screws securing the ice bank control module to the agitator motor assembly bracket.
7. Remove screw securing ice bank control module ground wire (connected to the large black terminal labeled “A”) to the agitator motor assembly bracket.
8. Disconnect the large black terminals electrical wires connectors from Unit wiring harness connectors.
9. Disconnect large black terminal labeled “D” from terminal on ice bank control labeled “D”. *Retain old ice bank control which is to be returned to IMI Cornelius INC.*
10. Disconnect product source product inlet lines from fittings on top of the agitator motor assembly bracket (see Figure 3).
11. Remove hex nuts and white plastic washers securing Unit product inlet lines fittings in the agitator motor assembly bracket.
12. Remove and retain six screws securing the agitator motor assembly bracket to the Unit, then remove agitator motor assembly bracket from the Unit.
13. Disconnect product tubes from backs of the dispensing valves, then lift product coils assembly up out of the Unit.
14. Remove old ice bank control probe and ice bank control probe holder from the evaporator coil. Retain old ice bank control probe and probe holder which are to be returned to IMI Cornelius INC..
15. Remove right-side (facing front of Unit) access grille for access to the lower electrical control box.
16. Remove two screws securing the lower electrical control box to the Unit. Loosen, but do not remove, one screw securing the electrical control box cover, then remove the cover.
17. Inside the lower electrical control box, remove wire nut connecting white electrical wire routed down through inside corner of the Unit cabinet to inside of the control box, from a heavy white electrical wire inside the control box. Pull white electrical up out of inside corner of the Unit cabinet and discard.
18. Strip insulation from end of the heavy white wire inside the electrical control box, then install ELECTRICAL WIRE TERMINAL (item 13) on end of the wire.
19. Connect heavy white wire, with terminal installed on it's end, to empty terminal on one end of the terminal block where two other white wires are connected.
20. Re-install lower electrical control box in the Unit, then install access grille.

## **INSTALLING ICE BANK CONTROL KIT**

1. Install new Ice Bank Control Bulb Holder (item 6) on evaporator coils as shown in Figure 1.
2. Install O-Ring (item 7) on Ice Bank Control Bulb as shown in Figure 2).
3. Insert end of the Ice Bank Control Bulb in the Ice Bank Control Bulb Holder.
4. Install O-Ring (item 7) on Ice Bank Control Bulb as shown in Figure 2 to secure control bulb in the holder.

5. Place product coils assembly back in position inside the Unit. *Make* sure ice bank control capillary tube is routed from ice bank control bulb up along right front side (facing front of Unit) of the Unit and on up to the ice bank control as shown in Figure 3.
6. Connect product tubes, connected to the product coils, to backs of the dispensing valves.
7. Place Unit product inlet fittings up through holes in the agitator motor assembly bracket and secure with white plastic washers and hex nuts.
8. Place the agitator motor assembly bracket back into position on the Unit. Secure agitator motor assembly bracket with six screws retained in step 12 of PREPARING DISPENSER FOR KIT INSTALLATION.
9. Connect product source product inlet lines to Unit product inlet lines fittings on the agitator motor assembly bracket.
10. Place the new ICE BANK CONTROL (item 1) in approximate mounting position on the agitator motor assembly bracket as shown in Figure 3.
11. Install SNAP BUSHING (item 11) in hole in ICE BANK CONTROL BOX (item 2).
12. Connect BLACK ELECTRICAL WIRE (item 8) and RED ELECTRICAL WIRE (item 9) to terminals on the ice bank control as shown in Figure 2.
13. Install ICE BANK CONTROL (item 1) inside the ICE BANK CONTROL BOX (item 2) and secure with SCREWS (item 5).
14. Place ice bank control capillary tube in hole in the key-hole slot in the ice bank control box.
15. Install GROMMET (item 3) on the ice bank control capillary tube, then slide grommet up on the capillary tube and install in key-hole slot in ice bank control box.
16. Route Unit wiring harness electrical wires in through snap bushing installed in the ice bank control box.
17. Connect Unit wiring harness green ground wire to ground lug inside the control box. Secure ground connection with HEX NUT (item 14).
18. Complete remainder of wiring connections inside the ice bank control box by referring to Figure 4 Wiring Diagram.
19. Place ice bank control in position on the agitator motor assembly bracket. Secure ice bank control to the motor assembly bracket with SELF DRILLING SCREWS (item 10).
20. Very carefully, route capillary tube along Unit wiring harness as shown in Figure 3.
21. Using WIRE TIES (item 12), secure capillary tube to the Unit wiring harness as shown in Figure 3.
22. Install LABEL, HAZARD SHOCK (item 4) on ice bank control cover as shown in Figure 3.
23. Install handle on Unit and secure with screws.

## RESTORING UNIT OPERATION

1. Fill water tank with water as instructed in manual provided with your Dispenser. *USE LOW-MINERAL-CONTENT WATER WHERE A LOCAL WATER PROBLEM EXIST.*
2. The Unit product systems should be sanitized at this time. Refer to manual provided with your Dispenser for sanitizing instructions.
3. Connect electrical power to the Unit.
4. Connect Unit product inlet lines to product tanks, then open each dispensing valve to bleed air from the systems and until product is dispensed.
5. Check the Unit for product leaks and repair if evident.
6. Check Unit for proper operation, then close hinged top cover.

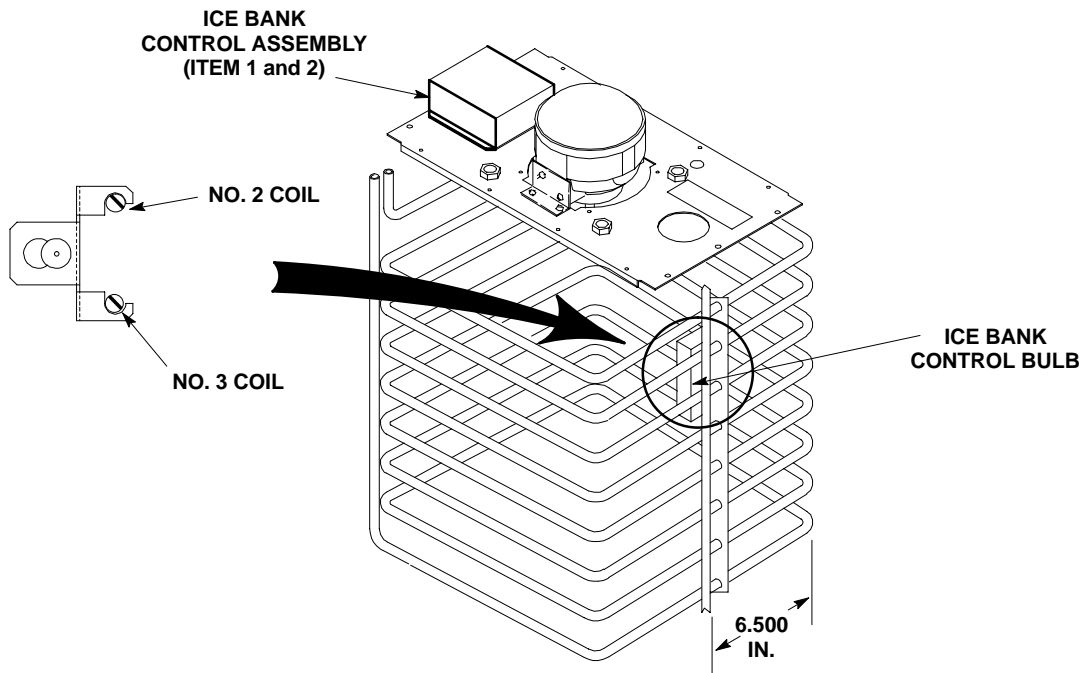


FIGURE 1. ICE BANK CONTROL PROBE LOCATION

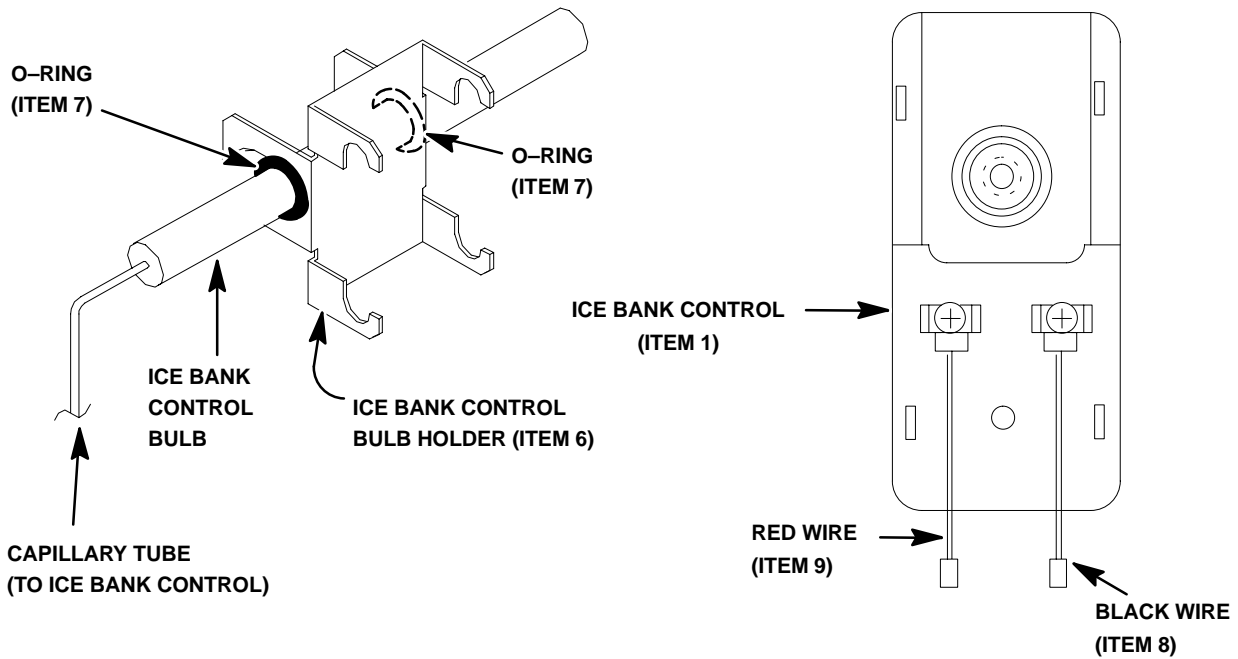
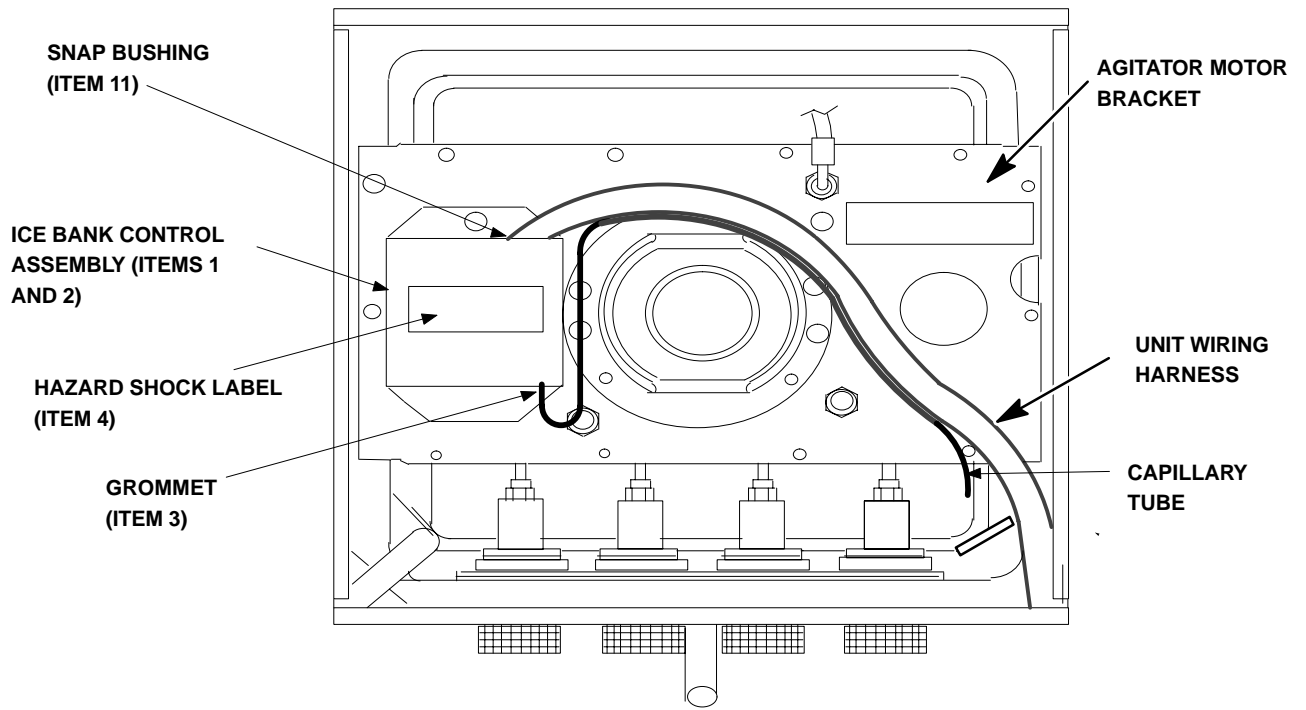
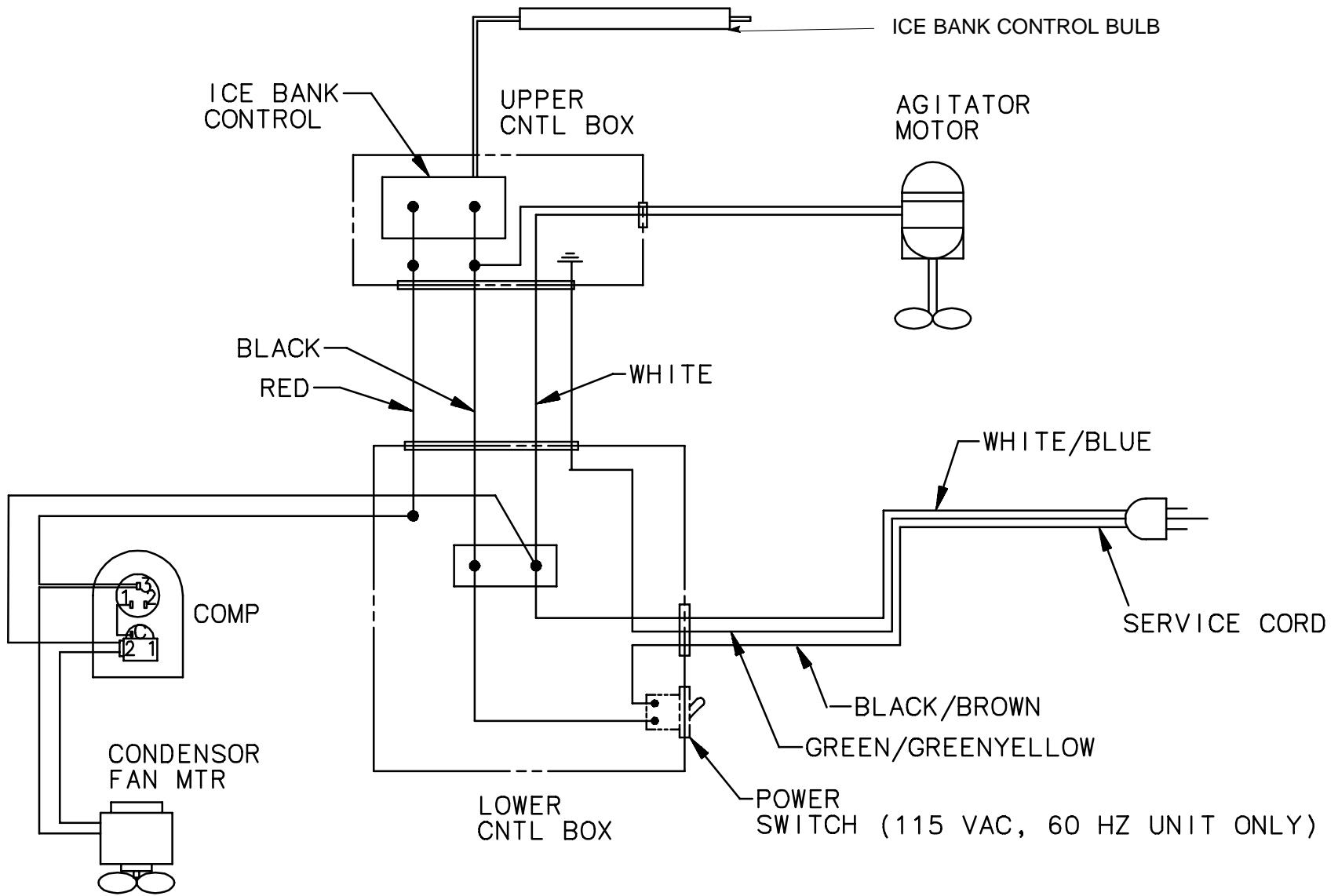


FIGURE 2. ICE BANK CONTROL



**FIGURE 3. UNIT TOP VIEW**





**FIGURE 4. UNIT WIRING DIAGRAM**

## Free Manuals Download Website

<http://myh66.com>

<http://usermanuals.us>

<http://www.somanuals.com>

<http://www.4manuals.cc>

<http://www.manual-lib.com>

<http://www.404manual.com>

<http://www.luxmanual.com>

<http://aubethermostatmanual.com>

Golf course search by state

<http://golfingnear.com>

Email search by domain

<http://emailbydomain.com>

Auto manuals search

<http://auto.somanuals.com>

TV manuals search

<http://tv.somanuals.com>