



IMI CORNELIUS INC.
One Cornelius Place
Anoka, MN. 55303-6234
Telephone 1-800-238-3600
Facsimile 1-800-258-0255

www.cornelius.com

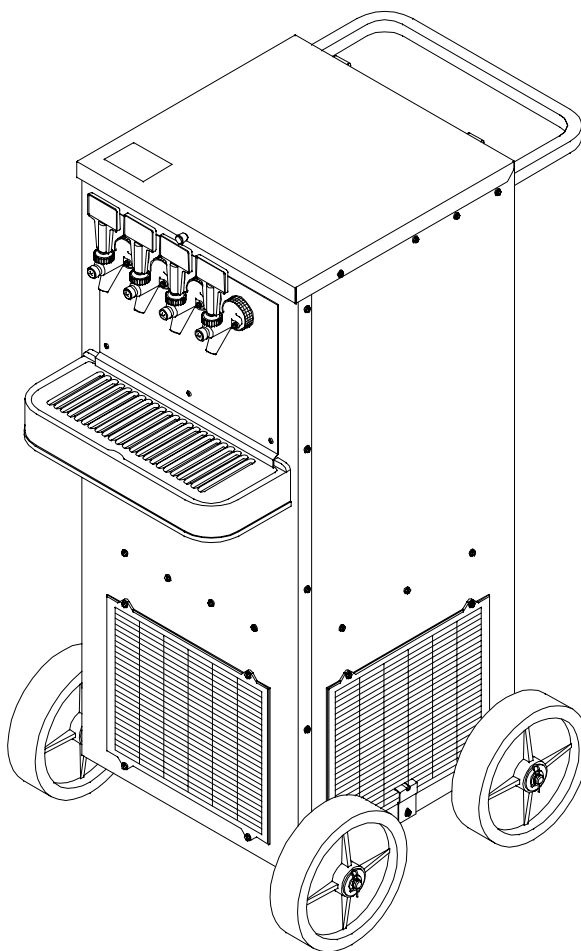
ILLUSTRATED PARTS LIST

UNIVERSAL 750 PRE-MIX DISPENSER

MODEL NO.

2849949xxx

2849959xxx





IMI CORNELIUS INC.
One Cornelius Place
Anoka, MN. 55303-6234
Telephone 1-800-238-3600
Facsimile 1-800-258-0255

www.cornelius.com

ILLUSTRATED PARTS LIST

UNIVERSAL 750 PRE-MIX DISPENSER

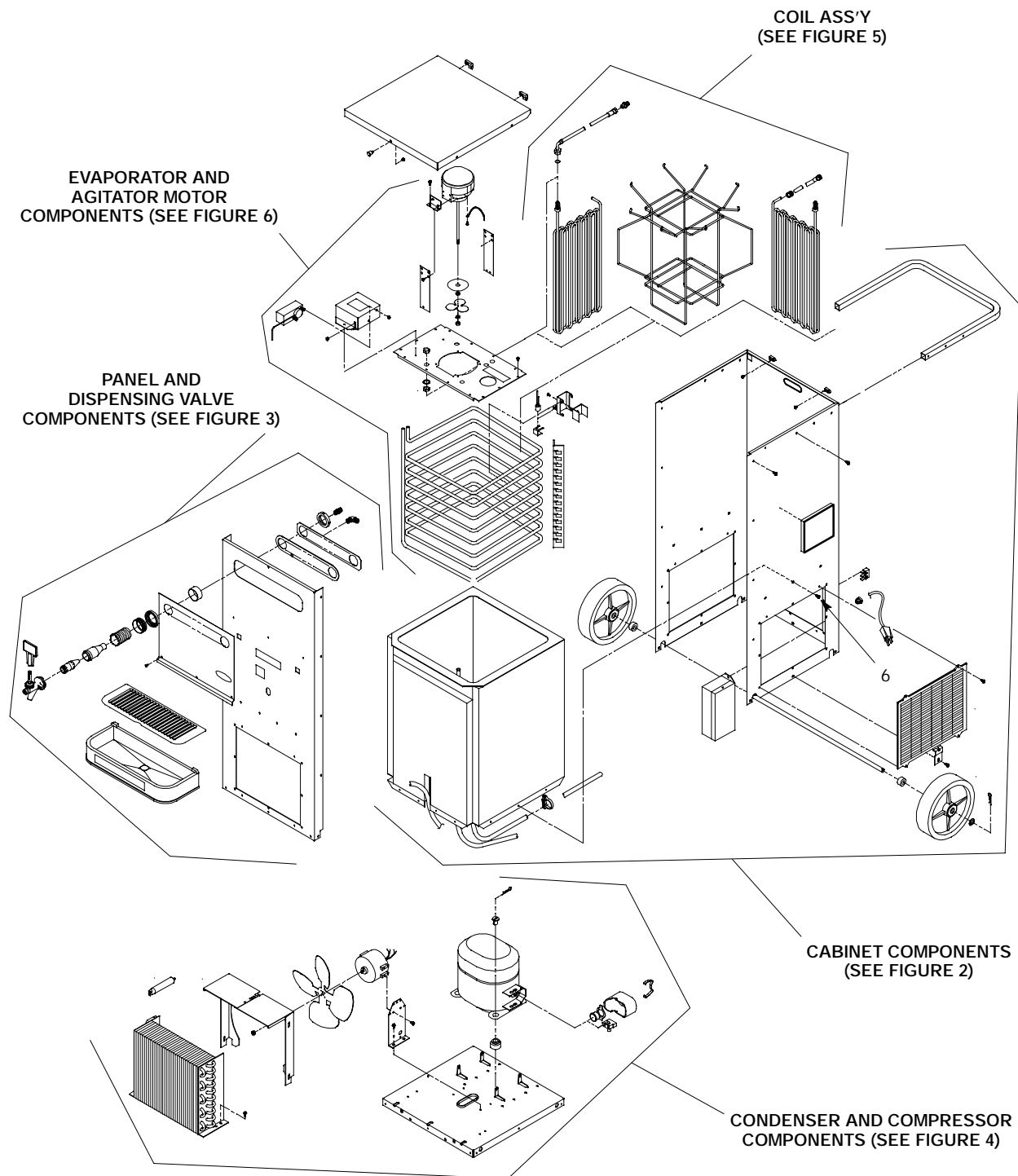


FIGURE 1. UNIVERSAL 750 ASSEMBLY



IMI CORNELIUS INC.
 One Cornelius Place
 Anoka, MN. 55303-6234
 Telephone 1-800-238-3600
 Facsimile 1-800-258-0255

www.cornelius.com

ILLUSTRATED PARTS LIST

UNIVERSAL 750 PRE-MIX DISPENSER

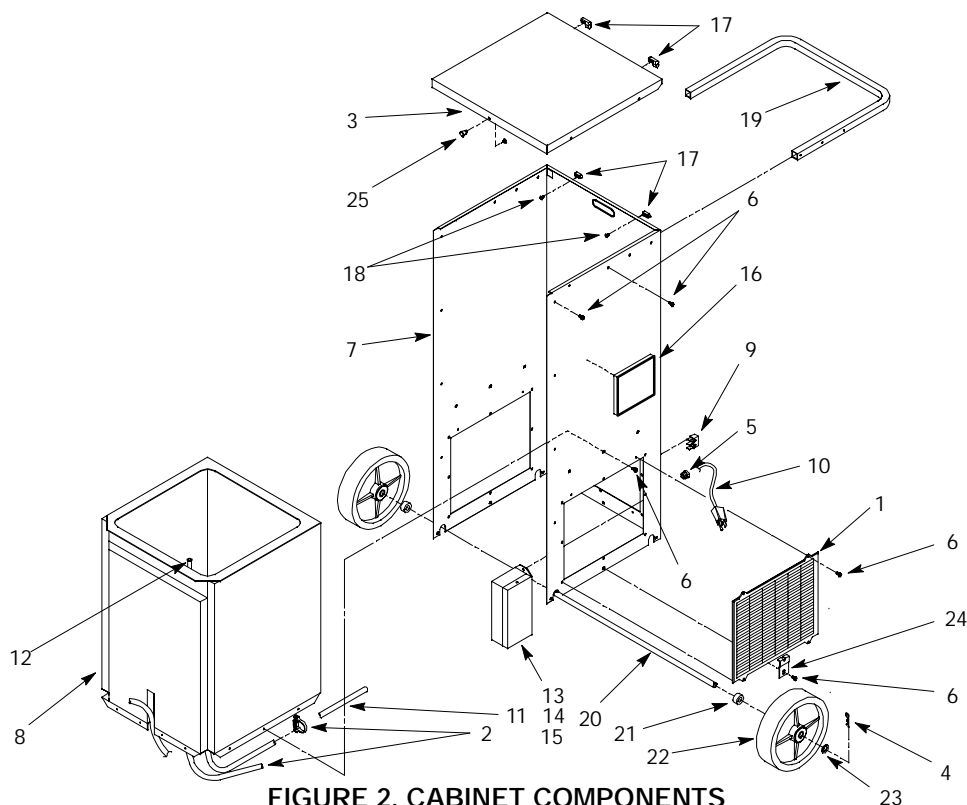


FIGURE 2. CABINET COMPONENTS

Item No.	Part No.	Name
1	317657039	Grille
2	113500000	Tube Vnyl .500 I.D. (Sold by thte Foot)
3	315218044	Cover Asy (Brown)
	315218032	Cover Asy (Red)
4	3225	Pin Cotr
5	319453000	Strain Relief
6	319941000	Screw TR 8-32 HXWS 12
7	1030	Wrap (Brown)
	1542	Wrap (Red)
8	1031	Tank Asy
9	313438000	Switch Toggle 20-Amp
10	187918000	Cord Serv 120V 60HZ
	560003560	Cord Serv 230V 50HZ
11	140135000	Clamp Hose

Item No.	Part No.	Name
12	319251000	Tube Overflow
13	200498003	Nut Hex 8-32
14	319230011	Box Cntl (See Figure 8)
15	185189000	Cover Cntrl Box
16	151664xxx	Lens (Specify Message)
17	2588	Hinge RH
18	189578000	Screw SE 6-32 TRPH 8
19	2585	Handle
20	2688	Axle
21	2689	Spacer Wheel
22	2707	Wheel
23	187414000	Washer Ft .532 I.D.
24	0545	Clip Grille
25	3019	Retainer Cover Plunger



IMI CORNELIUS INC.
 One Cornelius Place
 Anoka, MN. 55303-6234
 Telephone 1-800-238-3600
 Facsimile 1-800-258-0255

www.cornelius.com

ILLUSTRATED PARTS LIST

UNIVERSAL 750 PRE-MIX DISPENSER

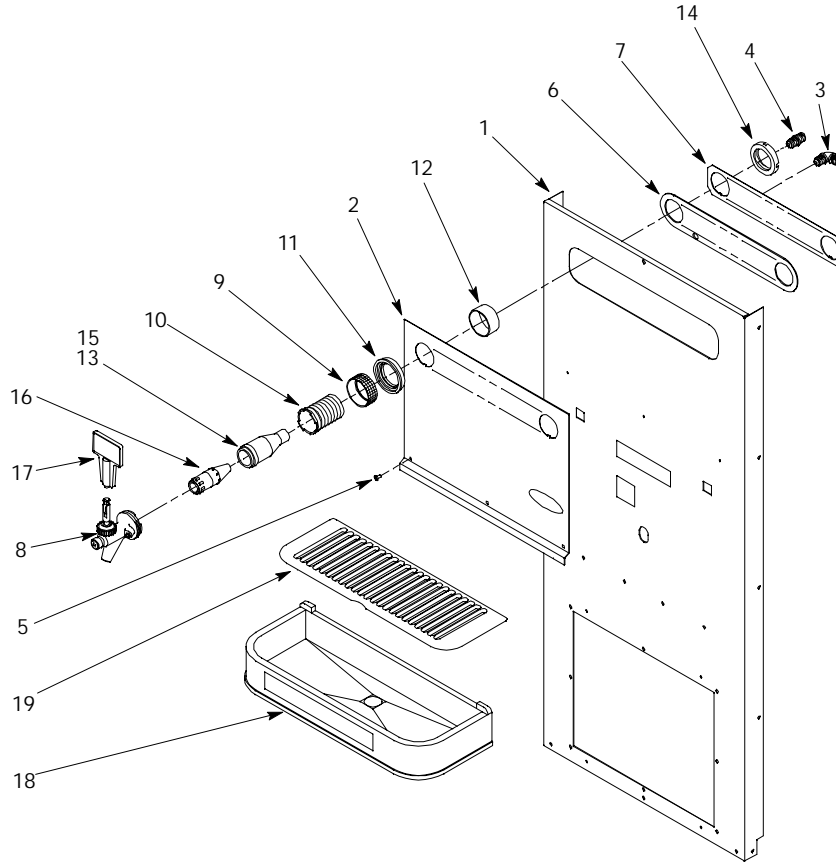


FIGURE 3. PANEL AND DISPENSING VALVE COMPONENTS

Item No.	Part No.	Name
1	31521044	Panel Fnt (Brown)
	31521032	Panel Fnt (Red)
2	187351000	Panel Val Trim 4-Flavor
	319246000	Panel Val Trim 5-Flavor
3	150792100	Fitg L 7/16-20 x 1/2-16
4	150807100	Fitg Stght 7/16-20 x 1/2-16
5	188652000	Screw TR 6-32 PASL 12
6	313081000	Plate Val Trim 4-Flavor
	319248000	Plate Backup Val 5-Flavor
7	187293400	Gasket Valve 4-Flavor
	319249000	Gasket Backup Valve 5-Flavor
8	151202039	Val Hd Pre-Mix (See Figure 7)

Item No.	Part No.	Name
9	150199000	Nut Cplg 1 5/8 -12
10	150200007	Sleeve End Shank
11	187257039	Flange Valve
12	187958000	Spacer Slve
13	150058000	O-Ring .301 I.D.
14	150150000	Nut Shank
15	150099000	Shank 3-39/64"
16	150095000	Compensator
17	151741039	Knob
18	186573039	Drip Tray
19	186642000	Cup Rest



IMI CORNELIUS INC.
 One Cornelius Place
 Anoka, MN. 55303-6234
 Telephone 1-800-238-3600
 Facsimile 1-800-258-0255

www.cornelius.com

ILLUSTRATED PARTS LIST

UNIVERSAL 750 PRE-MIX DISPENSER

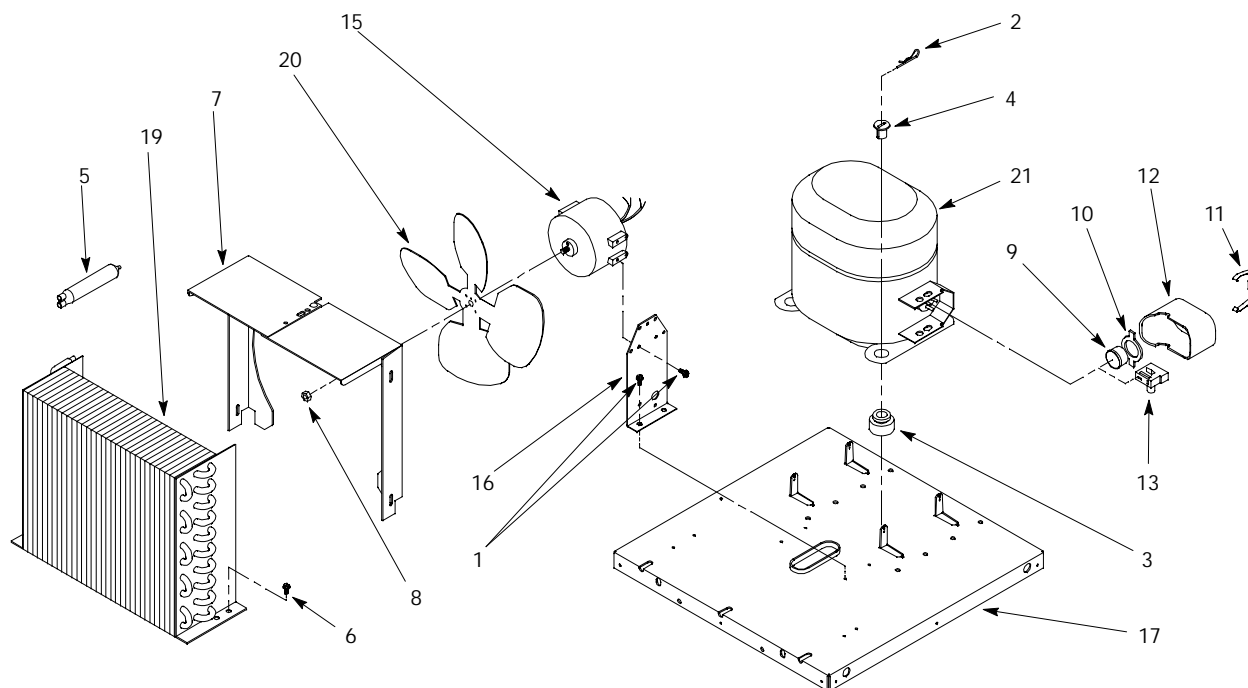


FIGURE 4. CONDENSER AND COMPRESSOR COMPONENTS

Item No.	Part No.	Name
1	319941000	Screw TR 8-32 HXWS 12
2	398034400	Pin Hitch
3	189723000	Grommet Compr
4	317781000	Bushing Split
5	2601	Dryer
6	320271000	Screw TC 6-32 PAPH 12
7	0953	Shroud Fan Assy
8	189429000	Nut Hex 1/4-20
9	4298	Overld Comp 120V 60HZ
	3142	Overld Comp 230V 50/60HZ
10	187637000	Spring Overld
11	187636000	Strap Bale
12	187638000	Cover Term
13	3128	Relay Start Comp 120V 60HZ
	3143	Relay Start Comp 230V 50/60HZ

Item No.	Part No.	Name
14	2864	Harn Wire (Not Shown)
15	332417088	Motor Fan Kit 9W 120V 60HZ
	3452	Motor Fan 9W 230V 50HZ
	569000321	Kit EBM Mtr 120V 60HZ
	569000322	Kit EBM Mtr 230V 50HZ
16	1802	Brkt Mtr Agit and Fan
17	2587	Base Rfg
18	1005	Harn Wire (Not Shown)
19	310958013	Cond Coil
20	187393000	Fan 4-Blade
21	3648	Kit Comp 1/3HP 120V 60HZ
	3706	Kit Comp 1/3HP 230V 50HZ
	2943	Line Suct Assy



IMI CORNELIUS INC.
 One Cornelius Place
 Anoka, MN. 55303-6234
 Telephone 1-800-238-3600
 Facsimile 1-800-258-0255

www.cornelius.com

ILLUSTRATED PARTS LIST

UNIVERSAL 750 PRE-MIX DISPENSER

Item No.	Part No.	Name
		Coil Ass'y (Includes 1-5)
1	176035000	Ferrule .335 I.D.
2	319244000	Tube Prod .156 I.D. x 14" (See Figure 10)
3	319245000	Tube Prod .156 I.D. x 9-1/2" (See Figure 10)
4	319241000	Coil Prod
5	319233000	Rack Coil
6	178025100	Gasket 1/4 Male Flare
7	319239000	Tube Conn .265 I.D. x 54" (See Figure 9)
8	176193000	Fitg Stght 7/16-20

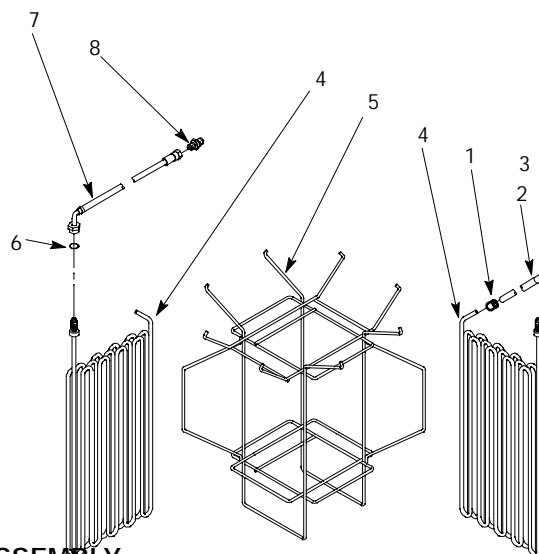


FIGURE 5. COIL ASSEMBLY

Item No.	Part No.	Name
		Evaporator and Agitator Motor Components
1	187188000	Screw SE 8-32 PAPH 8
2	3528	Box Cntl
3	186125000	Grommet
4	319941000	Screw TR 8-32 HXWS 12
5	319234088	Evap Asy
6	186154000	Screw SE 8-36 PAPH 12
7	319225000	Spacer Evap
8	3530	Plate Adj Mnt Assy
9	314072000	Motor Agit 15W 120V 60HZ
	3610	Motor Agit 15W 120V 60HZ
	314150000	Motor Agit 11W 230V 50HZ
10	186599000	Slinger Water
11	317975000	Blade Agit
12	186294000	Washer Lk .262 I.D.
13	186116000	Nut Hex 1/4-20
14	3531	Brkt Mtr Agit RH
	3532	Brkt Mtr Agit LH
15	315794000	Control Ice Bank
	569000255	Kit Instl GIBC 120V 60HZ

16	3780	Washer Ft .437 I.D.
17	186768000	Nut Hex 7/16-20
18	200468012	Screw SM 8 TRPH 24
19	319856000	Plate Heat Transfer
20	3529	Holder C-Bulb

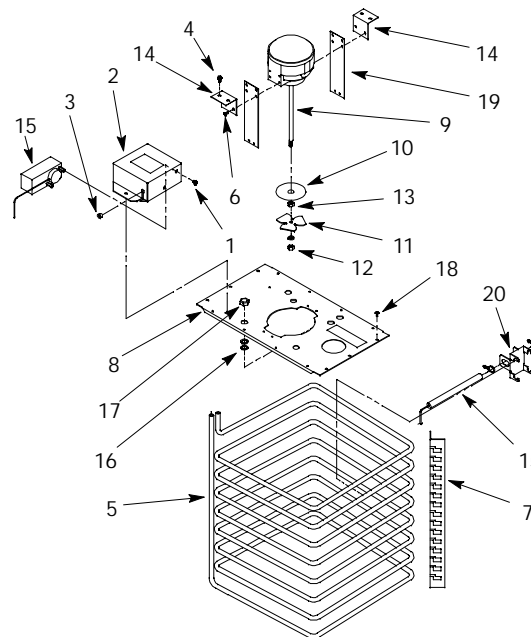


FIGURE 6. EVAPORATOR AND AGITATOR COMPONENTS



IMI CORNELIUS INC.
 One Cornelius Place
 Anoka, MN. 55303-6234
 Telephone 1-800-238-3600
 Facsimile 1-800-258-0255

www.cornelius.com

ILLUSTRATED PARTS LIST

UNIVERSAL 750 PRE-MIX DISPENSER

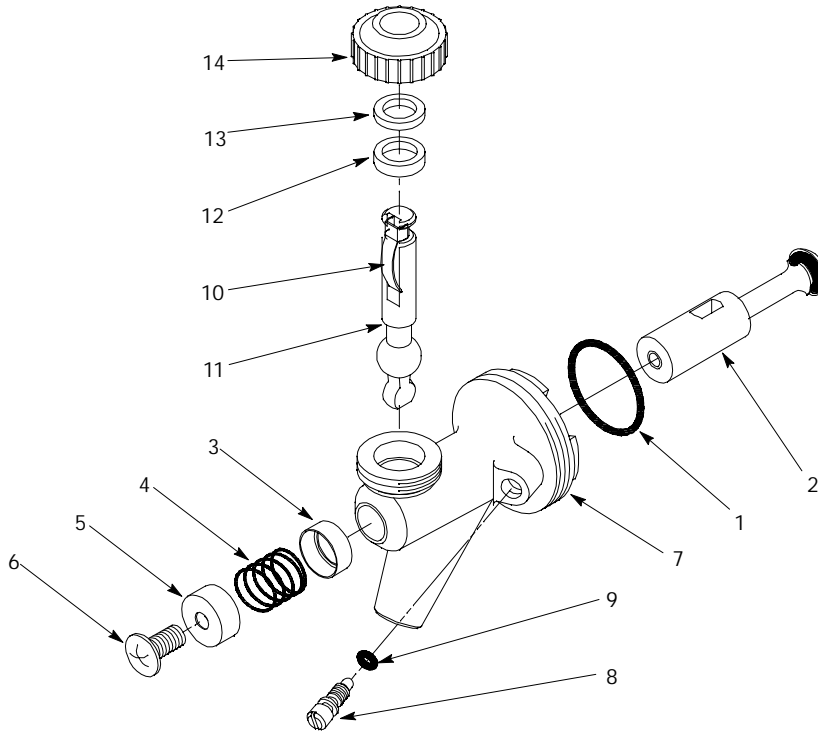


FIGURE 7. DISPENSING VALVE ASSEMBLY

Item No.	Part No.	Name
	151202039	Val Hd Pre-Mix
1	150065000	O-Ring 1.05 I.D.
2	150998000	Shaft Val
3	150141000	Sleeve Inner
4	150189000	Spring Shaft
5	150142000	Sleeve Outer
6	150907000	Screw MA 10-24 TRPH 10

Item No.	Part No.	Name
7	151009039	Body Valve
8	150113000	Screw Compensator
9	140092000	O-Ring .114 I.D.
10	151062000	Spring Knob Lever
11	151061000	Lever Knob
12	150055000	Washer Ball .390 I.D.
13	110015000	Washer Ball Friction
14	151742039	Bonnet Knob



IMI CORNELIUS INC.
 One Cornelius Place
 Anoka, MN. 55303-6234
 Telephone 1-800-238-3600
 Facsimile 1-800-258-0255

www.cornelius.com

ILLUSTRATED PARTS LIST

UNIVERSAL 750 PRE-MIX DISPENSER

Item No.	Part No.	Name
		Control Box Components
1	319230011	Box Cntl
2	320389000	Bushing Snap
3	187876000	Block Term
4	187175000	Screw SE 6-32 RDPH 16
5	330181000	Nut Hex 6-32
6	319941000	Screw TR 8-32 HXWS 12

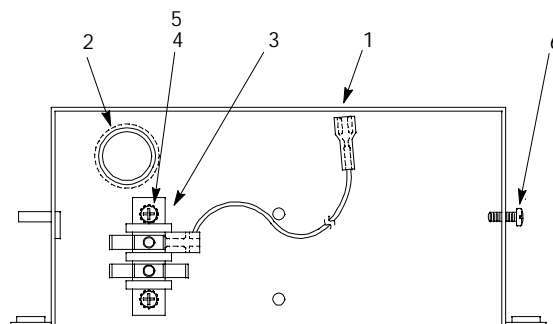


FIGURE 8. CONTROL BOX ASSEMBLY

Item No.	Part No.	Name
	319239000	Tube Conn .265 I.D. x 54"
1	174478000	Tube Flexcor .265 I.D. (Sold by the Foot)
2	176000000	Ferrule .500 I.D.
3	77010400	Fitg Nipl .265 I.D. Tube
4	176017000	Nut Swiv 7/16-20
5	77040100	Fitg L Swv 7/16-20

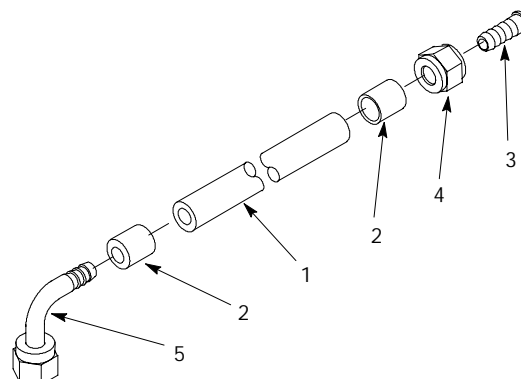


FIGURE 9. TUBE ASSEMBLY

Item No.	Part No.	Name
	319244000	Tube Prod .156 I.D. x 14"
	319245000	Tube Prod .156 I.D. x 9"
1	174004000	Tube Poly .156 I.D. (Sold by the Foot)
2	176004000	Ferrule, .335 I.D.
3	77010600	Fitg Nipl .156 I.D.
4	176017000	Nut Swiv 7/16-20

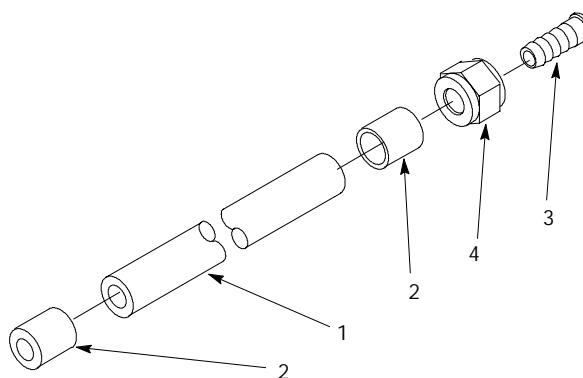


FIGURE 10. TUBE ASSEMBLY



IMI CORNELIUS INC.
One Cornelius Place
Anoka, MN. 55303-6234
Telephone 1-800-238-3600
Facsimile 1-800-258-0255

www.cornelius.com

ILLUSTRATED PARTS LIST

UNIVERSAL 750 PRE-MIX DISPENSER ACCESSORIES/KITS

Free Manuals Download Website

<http://myh66.com>

<http://usermanuals.us>

<http://www.somanuals.com>

<http://www.4manuals.cc>

<http://www.manual-lib.com>

<http://www.404manual.com>

<http://www.luxmanual.com>

<http://aubethermostatmanual.com>

Golf course search by state

<http://golfingnear.com>

Email search by domain

<http://emailbydomain.com>

Auto manuals search

<http://auto.somanuals.com>

TV manuals search

<http://tv.somanuals.com>