



IMI CORNELIUS INC.
www.cornelius.com

**Nordic
Model CCM1448, 1848, 2148
Service Parts Manual
(Includes 50Hz. Units)**



Publication Number: 631806060
Revision Date: November 1, 2007
Revision: A

Visit the IMI Cornelius web site at www.cornelius.com for all your Literature needs.

This parts list contains the service parts available for the CCM Series icemakers listed below.

CCM1448 Air, Water and Remote, Includes 50hz. And 3 phase models.

CCM1848 Water and Remote, Includes 50hz. And 3 phase models.

CCM2148 Water and Remote, Includes 50hz. And 3 phase models.

Check the model number on the data plate and refer to the correct listing for the specific component.

Check carefully that the correct part is identified and ordered.

Table of Contents	Page 1
Exterior Components	Page 2 - 3
Interior Components-Front View	Page 4 - 5
Air Cooled	Page 6 - 7
Water Cooled	Page 8 - 9
Remote	Page 10 - 11
Control Box	Page 12 - 13
Specific Compressor Components	Page 13
Harvest Assist Assembly	Page 14 - 15
Remote Condenser	Page 16 - 17
Water Pump and Float	Page 18 - 19
Compressor Information	Page 20

E-Mail: tech.service@Cornelius.com

[Website : www.cornelius.com](http://www.cornelius.com)

Telephone Number
800-238-3600 All Departments

The CCM Series Service Manual is available separately, Part Number 631806061

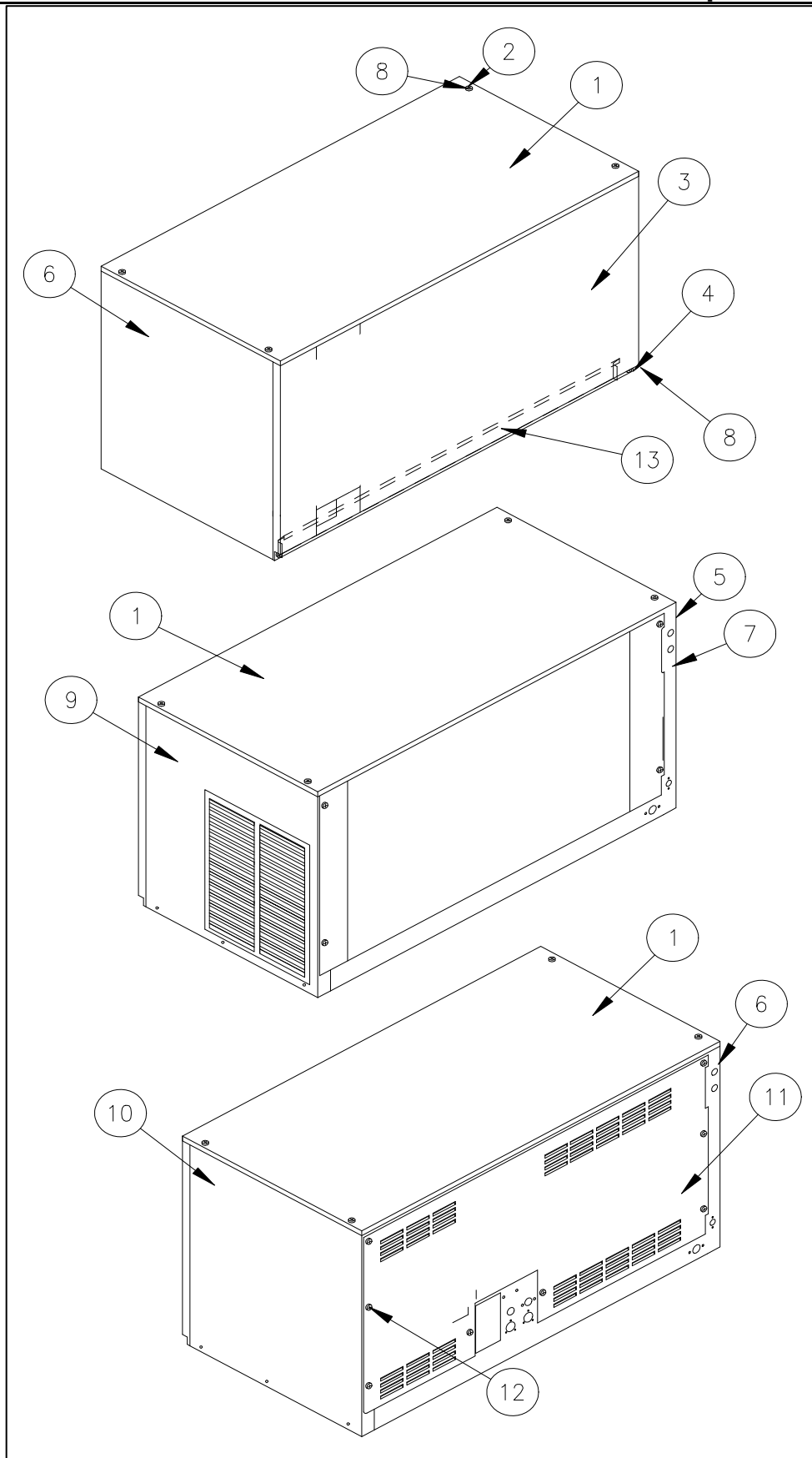
Note: Model Number Suffix Indicates Machine Voltage As Follows:

1=115/60/1

2=208-230/60/1

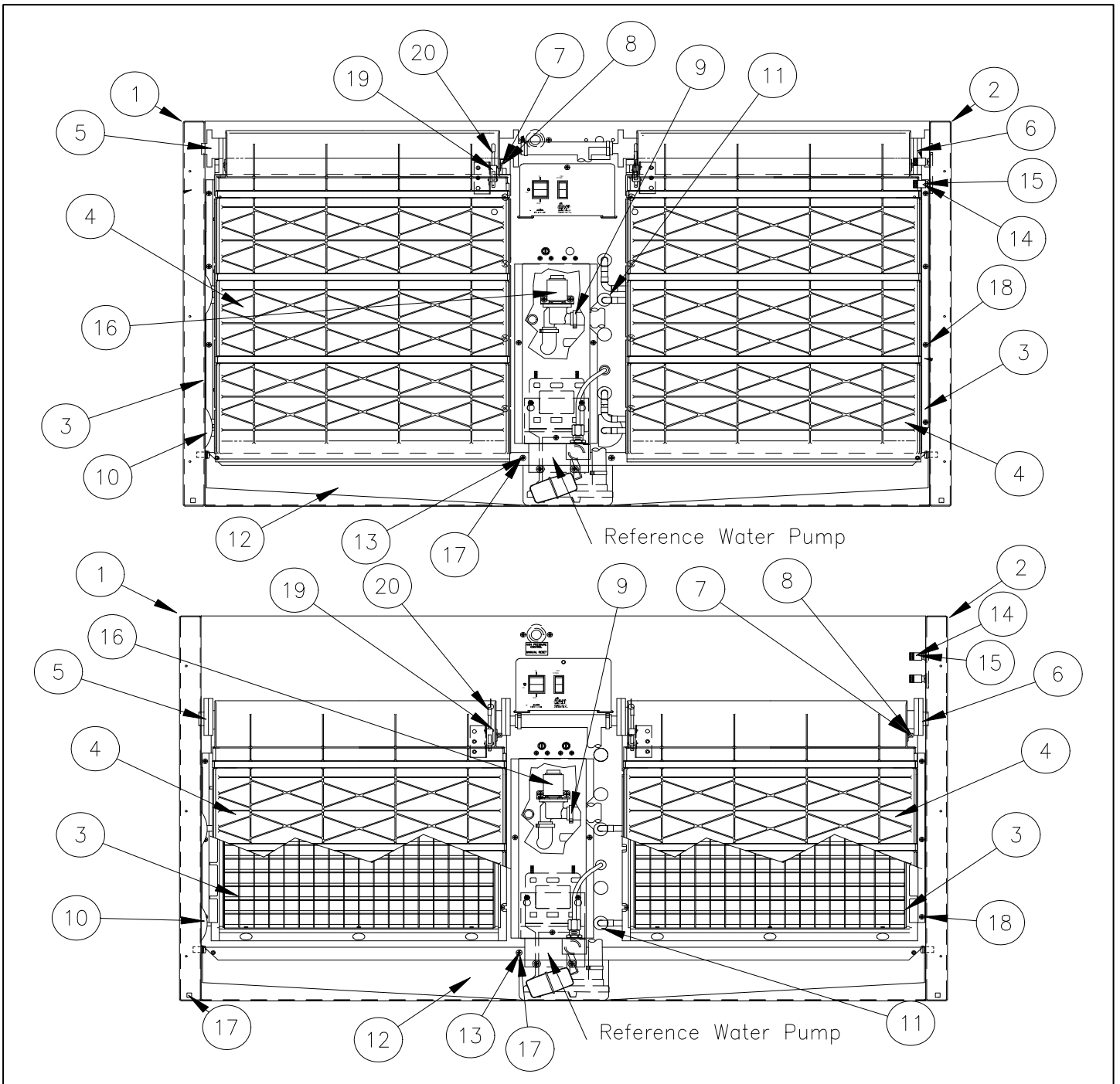
3=208-230/60/3

5=230/50/1



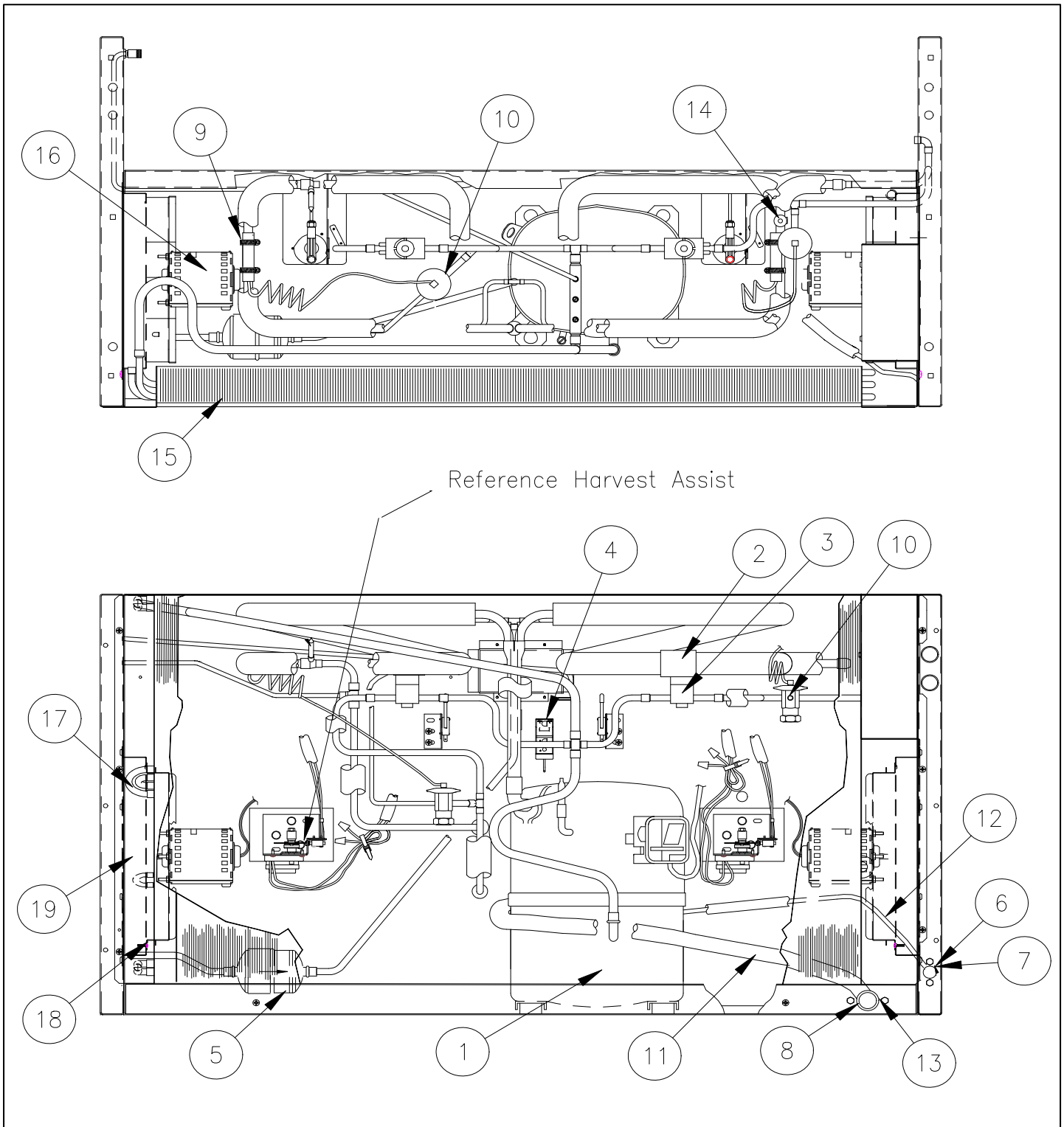
Item No.	Model Number				Description
	CCM1848 2	CCM1848 3	CCM2148 2	CCM2148 3	
1	620204772	620204772	620204772	620204772	Top Panel
2	620204444	620204444	620204444	620204444	Top Panel Screw
3	620204773	620204773	620204773	620204773	Front Panel
4	620204774	620204774	620204774	620204774	Front Panel Screw
5	N/A	N/A	N/A	N/A	Left Hand Side Panel- Louvered
6	620204384	620204384	620204384	620204384	Left Hand Side Panel- Solid
7	620204442	620204442	620204442	620204442	Side Panel Screws
8	620204457	620204457	620204457	620204457	Plastic Nut Insert
9	N/A	N/A	N/A	N/A	Right Hand Side Panel- Louvered
10	620204385	620204385	620204385	620204385	Right Hand Side Panel- Solid
11	620204386	620204386	620204386	620204386	Rear Panel
12	620204441	620204441	620204441	620204441	Rear Panel Screw
13	620204330	620204330	620204330	620204330	Ice Deflector

Item No.	Model Number			Description
	CCM1448 5	CCM1448 2	CCM1448 3	
1	620204772	620204772	620204772	Top Panel
2	620204444	620204444	620204444	Top Panel Screw
3	620204773	620204773	620204773	Front Panel
4	620204774	620204774	620204774	Front Panel Screw
5	620204775	620204775	620204775	Left Hand Side Panel- Louvered
6	620204384	620204384	620204384	Left Hand Side Panel- Solid
7	620204776	620204776	620204776	Side Panel Screws
8	620204457	620204457	620204457	Plastic Nut Insert
9	620204777	620204777	620204777	Right Hand Side Panel- Louvered
10	620204385	620204385	620204385	Right Hand Side Panel- Solid
11	620204386	620204386	620204386	Rear Panel
12	620204441	620204441	620204441	Rear Panel Screw
13	620204330	620204330	620204330	Ice Deflector

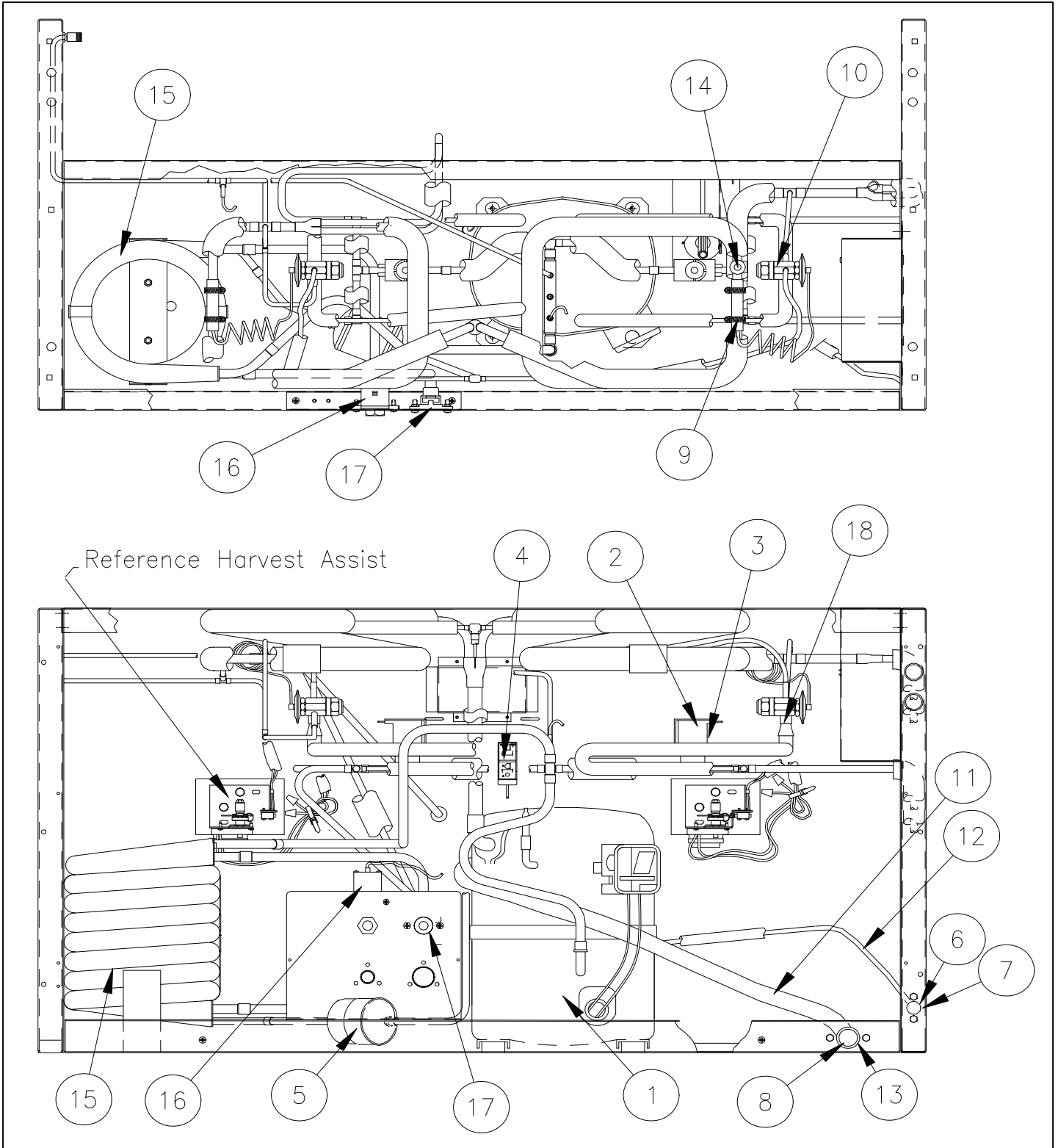


Item No.	Model Number				Description
	CCM1848 2	CCM1848 3	CCM2148 2	CCM2148 3	
1	620204778	620204778	620204778	620204778	Left Hand Frame Panel
2	620204345	620204345	620204345	620204345	Right Hand Frame Panel
3	620204298	620204298	620204298	620204298	Evaporator-Full Cube
3	620204299	620204299	620204299	620204299	Evaporator-Half Cube
4	620204409	620204409	620204409	620204409	Evaporator Splash Curtain
5	620204295	620204295	620204295	620204295	Water Distribution Tube LH
6	620204294	620204294	620204294	620204294	Water Distribution Tube RH
7	620204453	620204453	620204453	620204453	Thumb Screw
8	620204429	620204429	620204429	620204429	Rubber Washer
9	620204420	620204420	620204420	620204420	Clamp
10	620204499	620204499	620204499	620204499	Tube Washer
11	620204500	620204500	620204500	620204500	Washer Tapered
12	620204496	620204496	620204496	620204496	Water Return Trough
13	620204443	620204443	620204443	620204443	Water Return Trough Screw
14	620204534	620204534	620204534	620204534	Valve Core
15	620204535	620204535	620204535	620204535	Valve Cap
16	620204467	620204467	620204467	620204467	Purge Valve
17	620204457	620204457	620204457	620204457	Plastic Nut Insert
18	620204441	620204441	620204441	620204441	Evaporator Mounting Screw
19	620204554	620204554	620204554	620204554	Bin Switch
20	620204573	620204573	620204573	620204573	Wire-Curtain Switch

Item No.	Model Number			Description
	CCM1448 5	CCM1448 2	CCM1448 3	
1	620204778	620204778	620204778	Left Hand Frame Panel
2	620204345	620204345	620204345	Right Hand Frame Panel
3	620204302	620204302	620204302	Evaporator-Full Cube
3	620204303	620204303	620204303	Evaporator-Half Cube
4	620204408	620204408	620204408	Evaporator Splash Curtain
5	620204295	620204295	620204295	Water Distribution Tube LH
6	620204294	620204294	620204294	Water Distribution Tube RH
7	620204453	620204453	620204453	Thumb Screw
8	620204429	620204429	620204429	Rubber Washer
9	620204420	620204420	620204420	Clamp
10	620204499	620204499	620204499	Tube Washer
11	620204500	620204500	620204500	Washer Tapered
12	620204497	620204497	620204497	Water Return Trough
13	620204443	620204443	620204443	Water Return Trough Screw
14	620204534	620204534	620204534	Valve Core
15	620204535	620204535	620204535	Valve Cap
16	620204467	620204467	620204467	Purge Valve
17	620204457	620204457	620204457	Plastic Nut Insert
18	620204441	620204441	620204441	Evaporator Mounting Screw
19	620204554	620204554	620204554	Bin Switch
20	620204573	620204573	620204573	Wire-Curtain Switch



Item No.	Model Number			Description
	CCM1448 5	CCM1448 2	CCM1448 3	
1	620204779	620204690	620204691	Compressor
2	620204614	620204614	620204614	Hot Gas Valve Coil
3	620204611	620204611	620204611	Hot Gas Valve Body
4	620204476	620204476	620204476	Low Pressure Control
5	620204602	620204602	620204602	Filter Drier
6	620204530	620204530	620204530	Drop Adapter
7	620204533	620204533	620204533	Water Inlet Fitting
8	620204813	620204813	620204813	Purge Drain Fitting
9	620204422	620204422	620204422	Clamp-TXV Bulb
10	620204616	620204617	620204617	Expansion Valve
11	620204502	620204502	620204502	Purge Drain Tube
12	620204418	620204418	620204418	Tube (3.59 Ft.)
13	620204419	620204419	620204419	Clamp
14	620204470	620204470	620204470	High Temp Safety
15	620204780	620204780	620204780	Air Condenser
16	620204636	620204641	620204641	Fan Motor
17	620204577	620204574	620204574	Fan Blade
18	620204286	620204335	620204335	Fan Motor Bracket
19	620204358	620204358	620204358	Fan Shroud

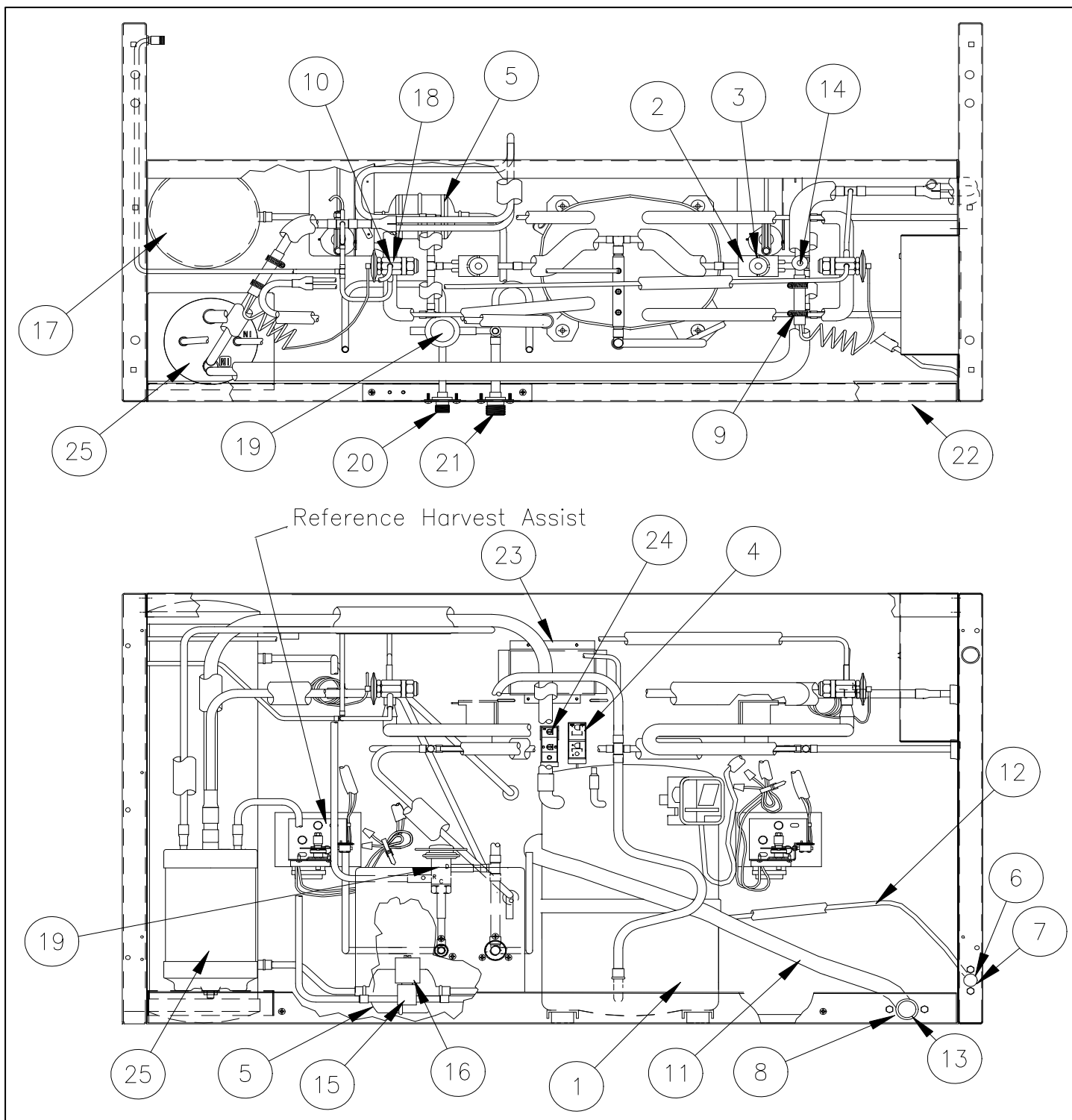


CCM1848/2148 Water Cooled Machine Shown

Item No.	Model Number				Description
	CCM1848 2	CCM1848 3	CCM2148 2	CCM2148 3	
1	620204690	620204691	620204701	620204702	Compressor
2	620204614	620204614	620204614	620204614	Hot Gas Valve Coil
3	620204611	620204611	620204611	620204611	Hot Gas Valve Body
4	620204476	620204476	620204476	620204476	Low Pressure Control
5	620204602	620204602	620204602	620204602	Filter Drier
6	620204530	620204530	620204530	620204530	Drop Adapter
7	620204533	620204533	620204533	620204533	Water Inlet Fitting
8	620204813	620204813	620204813	620204813	Purge Drain Fitting
9	620204422	620204422	620204422	620204422	Clamp-TXV Bulb
10	620204620	620204620	620204620	620204620	Expansion Valve
11	620204502	620204502	620204502	620204502	Purge Drain Hose
12	620204418	620204418	620204418	620204418	Tube (3.59 Ft.)
13	620204419	620204419	620204419	620204419	Clamp
14	620204470	620204470	620204470	620204470	High Temp Safety
15	620204597	620204597	620204597	620204597	Water Condenser
16	620204464	620204464	620204464	620204464	Water Valve
17	620204529	620204529	620204529	620204529	Drop Adapter 1/2"
18	620204297	620204297	620204297	620204297	Expansion Valve Assembly

(Includes Distributor and Tubing)

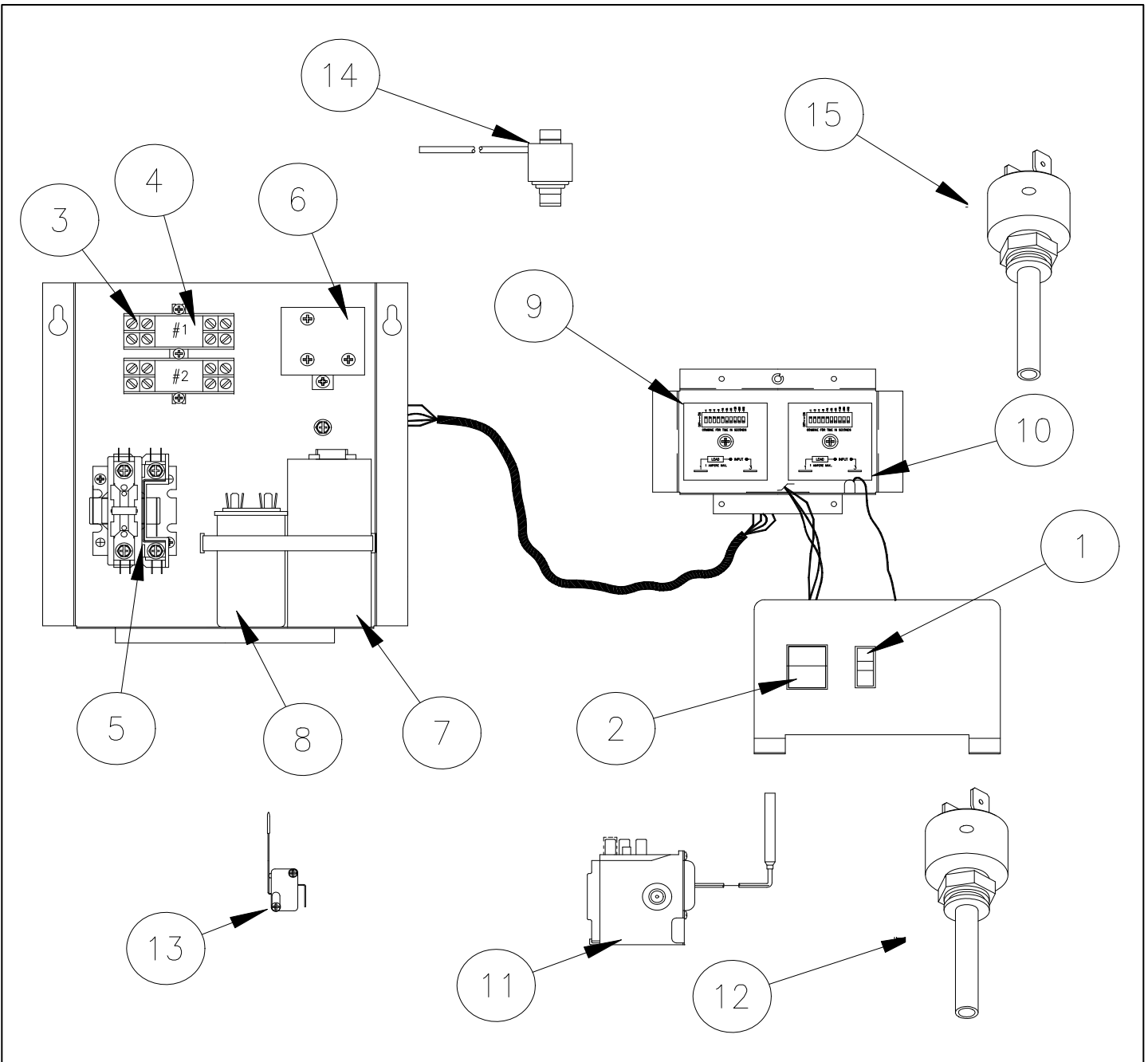
Item No.	MODEL NUMBER			Description
	CCM1448 5	CCM1448 2	CCM1448 3	
1	620204779	620204690	620204691	Compressor
2	620204614	620204614	620204614	Hot Gas Valve Coil
3	620204612	620204612	620204612	Hot Gas Valve Body
4	620204474	620204474	620204474	Low Pressure Control
5	620204602	620204602	620204602	Filter Drier
6	620204530	620204530	620204530	Drop Adapter
7	620204533	620204533	620204533	Water Inlet Fitting
8	620204813	620204813	620204813	Purge Drain Fitting
9	620204422	620204422	620204422	Clamp-TXV Bulb
10	620204616	620204617	620204617	Expansion Valve
11	620204502	620204502	620204502	Purge Drain Hose
12	620204418	620204418	620204418	Tube (3.59 Ft.)
13	620204419	620204419	620204419	Clamp
14	620204470	620204470	620204470	High Temp Safety
15	620204587	620204587	620204587	Water Condenser
16	620204465	620204465	620204465	Water Valve
17	620204529	620204529	620204529	Drop Adapter 1/2"



CCM1848/2148 Remote Machine Shown

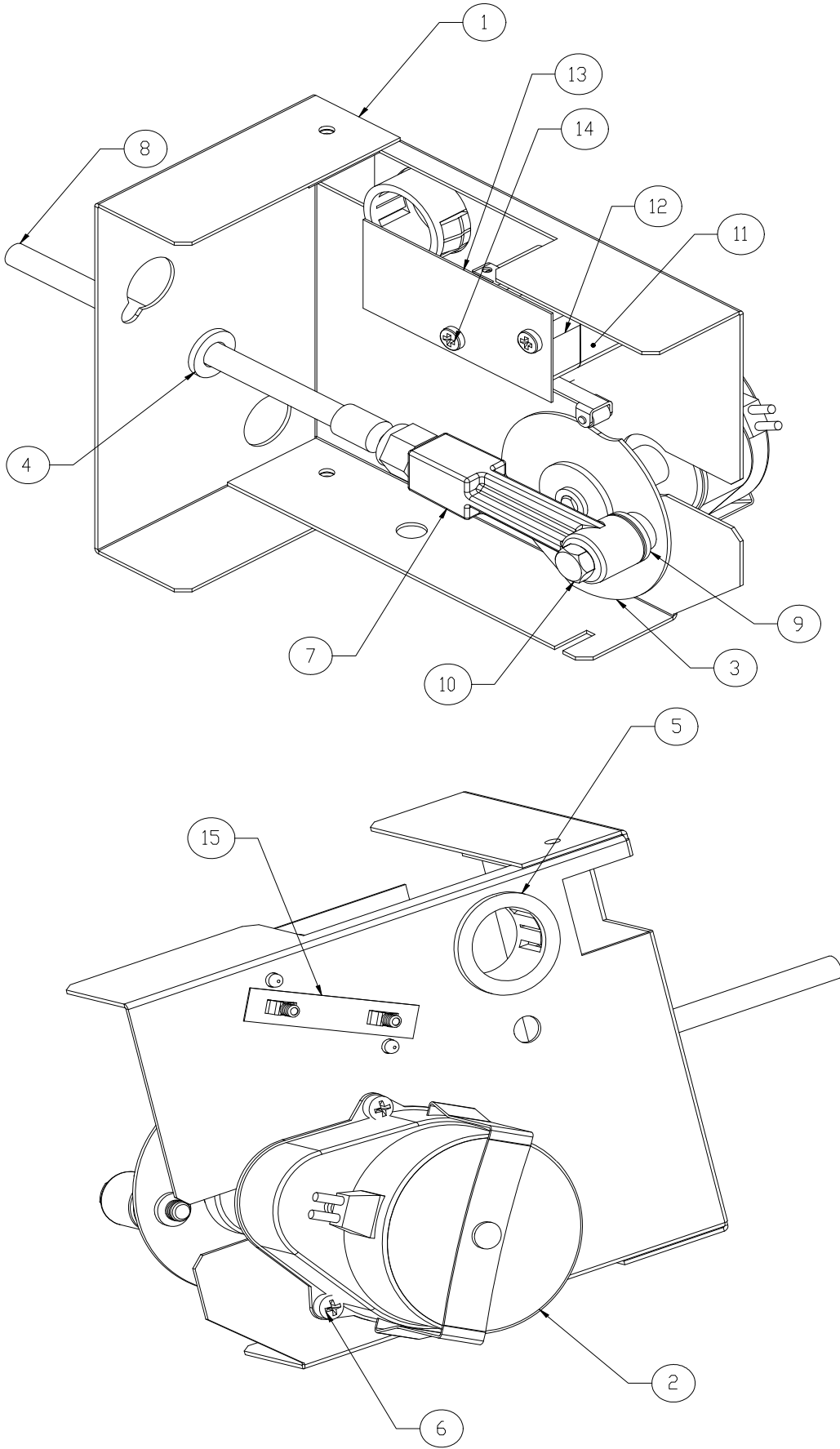
Item No.	Model Number				Description
	CCM1848 2	CCM1848 3	CCM2148 2	CCM2148 3	
1	620204690	620204691	620204701	620204702	Compressor
2	620204614	620204614	620204614	620204614	Hot Gas Valve Coil
3	620204611	620204611	620204611	620204611	Hot Gas Valve Body
4	620204476	620204476	620204476	620204476	Low Pressure Control
5	620204602	620204602	620204602	620204602	Filter Drier
6	620204530	620204530	620204530	620204530	Drop Adapter
7	620204533	620204533	620204533	620204533	Water Inlet Fitting
8	620204813	620204813	620204813	620204813	Purge Drain Fitting
9	620204422	620204422	620204422	620204422	Clamp-TXV Bulb
10	620204620	620204620	620204620	620204620	Expansion Valve
11	620204417	620204417	620204417	620204417	Purge Drain Hose
12	620204418	620204418	620204418	620204418	Tube (2.17 Ft.)
13	620204419	620204419	620204419	620204419	Clamp
14	620204470	620204470	620204470	620204470	High Temp Safety
15	620204612	620204612	620204612	620204612	Liquid Line Solenoid Body
16	620204614	620204614	620204614	620204614	Liquid Line Solenoid Coil
17	620204609	620204609	620204609	620204609	Receiver
18	620204297	620204297	620204297	620204297	Expansion Valve Assembly
19	620204605	620204605	620204605	620204605	Mixing Valve (240)
20	620204526	620204526	620204526	620204526	Remote Fitting 3/8"
21	620204527	620204527	620204527	620204527	Remote Fitting 1/2"
22	620204331	620204331	620204331	620204331	Rear Brace
23	620204474	620204474	620204474	620204474	High Pressure Control
24	620204475	620204475	620204475	620204475	Pump Down Control
25	620204324	620204324	620204324	620204324	Accumulator/Heat Exchanger

Item No.	Model Number			Description
	CCM1448 5	CCM1448 2	CCM1448 3	
1	620204779	620204690	620204693	Compressor
2	620204614	620204614	620204614	Hot Gas Valve Coil
3	620204611	620204611	620204611	Hot Gas Valve Body
4	620204476	620204476	620204476	Low Pressure Control
5	620204602	620204602	620204602	Filter Drier
6	620204530	620204530	620204530	Drop Adapter
7	620204533	620204533	620204533	Water Inlet Fitting
8	620204813	620204813	620204813	Purge Drain Fitting
9	620204422	620204422	620204422	Clamp-TXV Bulb
10	620204781	620204617	620204617	Expansion Valve
11	620204417	620204417	620204417	Purge Drain Hose
12	620204418	620204418	620204418	Tube (2.17 Ft.)
13	620204419	620204419	620204419	Clamp
14	620204470	620204470	620204470	High Temp Safety
15	620204612	620204612	620204612	Liquid Line Solenoid Body
16	620204614	620204614	620204614	Liquid Line Solenoid Coil
17	620204610	620204610	620204610	Receiver
18	N/A	N/A	N/A	Expansion Valve Assembly
19	620204605	620204605	620204605	Mixing Valve (240)
20	620204526	620204526	620204526	Remote Fitting 3/8"
21	620204527	620204527	620204527	Remote Fitting 1/2"
22	620204331	620204331	620204331	Rear Brace
23	620204474	620204474	620204474	High Pressure Control
24	620204475	620204475	620204475	Pump Down Control



Item No.	Model Number				Description
	CCM1848 2	CCM1848 3	CCM2148 2	CCM2148 3	
1	620204553	620204553	620204553	620204553	Purge Switch
2	620204557	620204557	620204557	620204557	ON-OFF-WASH Switch
3	620204548	620204548	620204548	620204548	Relay Socket
4	620204551	620204551	620204551	620204551	Relay
5	620204544	620204782	620204783	620204782	Contactor
6	620204676	N/A	620204677	N/A	Compressor Start Relay
7	620204652	N/A	620204652	N/A	Start Capacitor
8	620204674	N/A	620204671	N/A	Run Capacitor
9	620204555	620204555	620204555	620204555	Timer
10	620204555	620204555	620204555	620204555	Timer (Set at 4 Seconds)
11	620204476	620204476	620204476	620204476	Low Pressure Timer Initiate
12	620204475	620204475	620204475	620204475	Pump Down Control
13	620204554	620204554	620204554	620204554	Bin Switch
14	620204470	620204470	620204470	620204470	High Temperature Safety Control
15	620204474	620204474	620204474	620204474	High Pressure Safety Control

Item No.	Model Number			Description
	CCM1448 5	CCM1448 2	CCM1448 3	
1	620204553	620204553	620204553	Purge Switch
2	620204557	620204557	620204557	ON-OFF-WASH Switch
3	620204548	620204548	620204548	Relay Socket
4	620204551	620204551	620204551	Relay
5	620204544	620204544	620204782	Contactor
6	620204675	620204676	N/A	Compressor Start Relay
7	620204655	620204652	N/A	Start Capacitor
8	620204674	620204674	N/A	Run Capacitor
9	620204555	620204555	620204555	Timer
10	620204555	620204555	620204555	Timer (Set at 4 Seconds)
11	620204476	620204476	620204476	Low Pressure Timer Initiate
12	620204475	620204475	620204475	Pump Down Control
13	620204554	620204554	620204554	Bin Switch
14	620204470	620204470	620204470	High Temperature Safety Control
15	620204474	620204474	620204474	High Pressure Safety Control

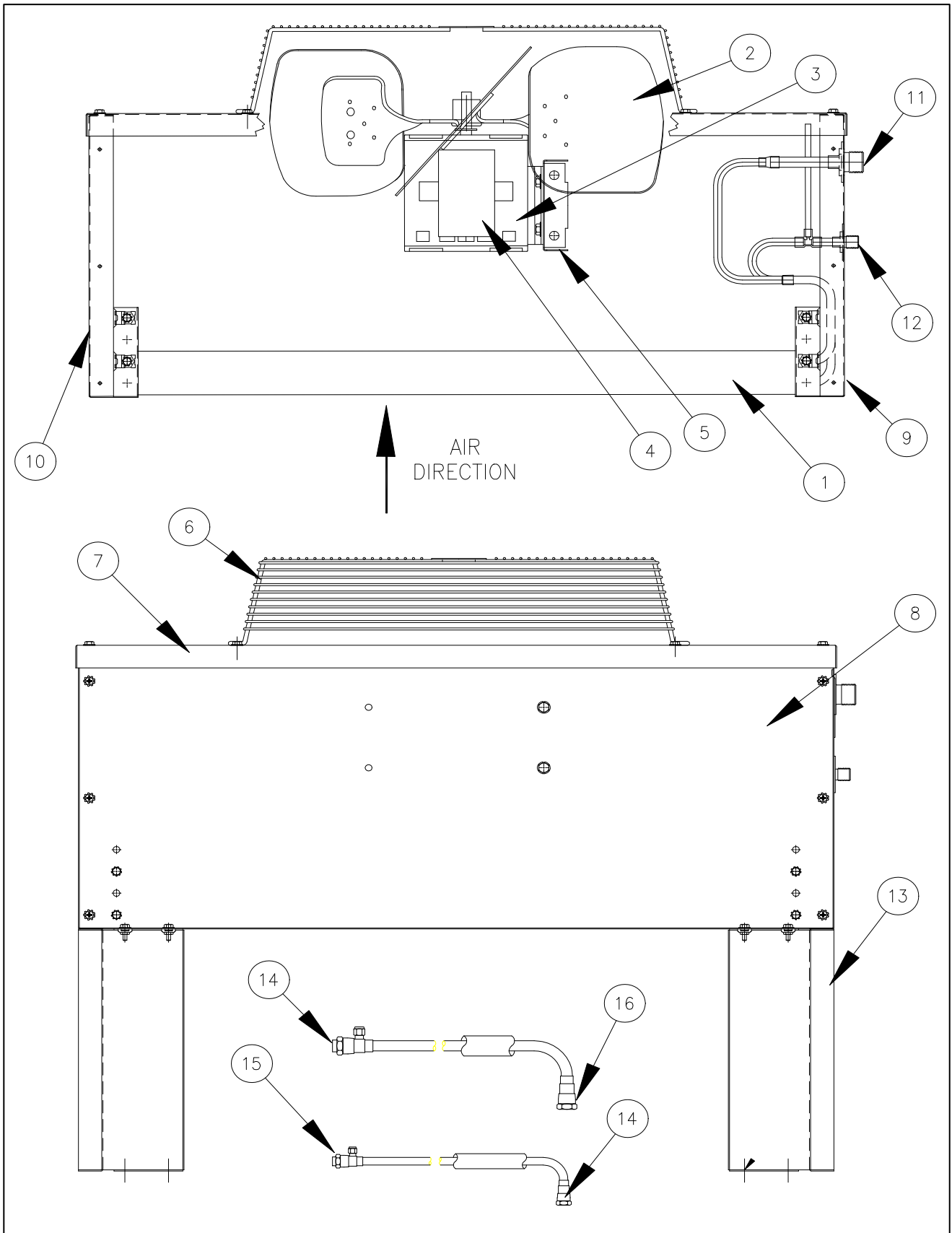


CCM Series Service Parts

Harvest Assist Assembly

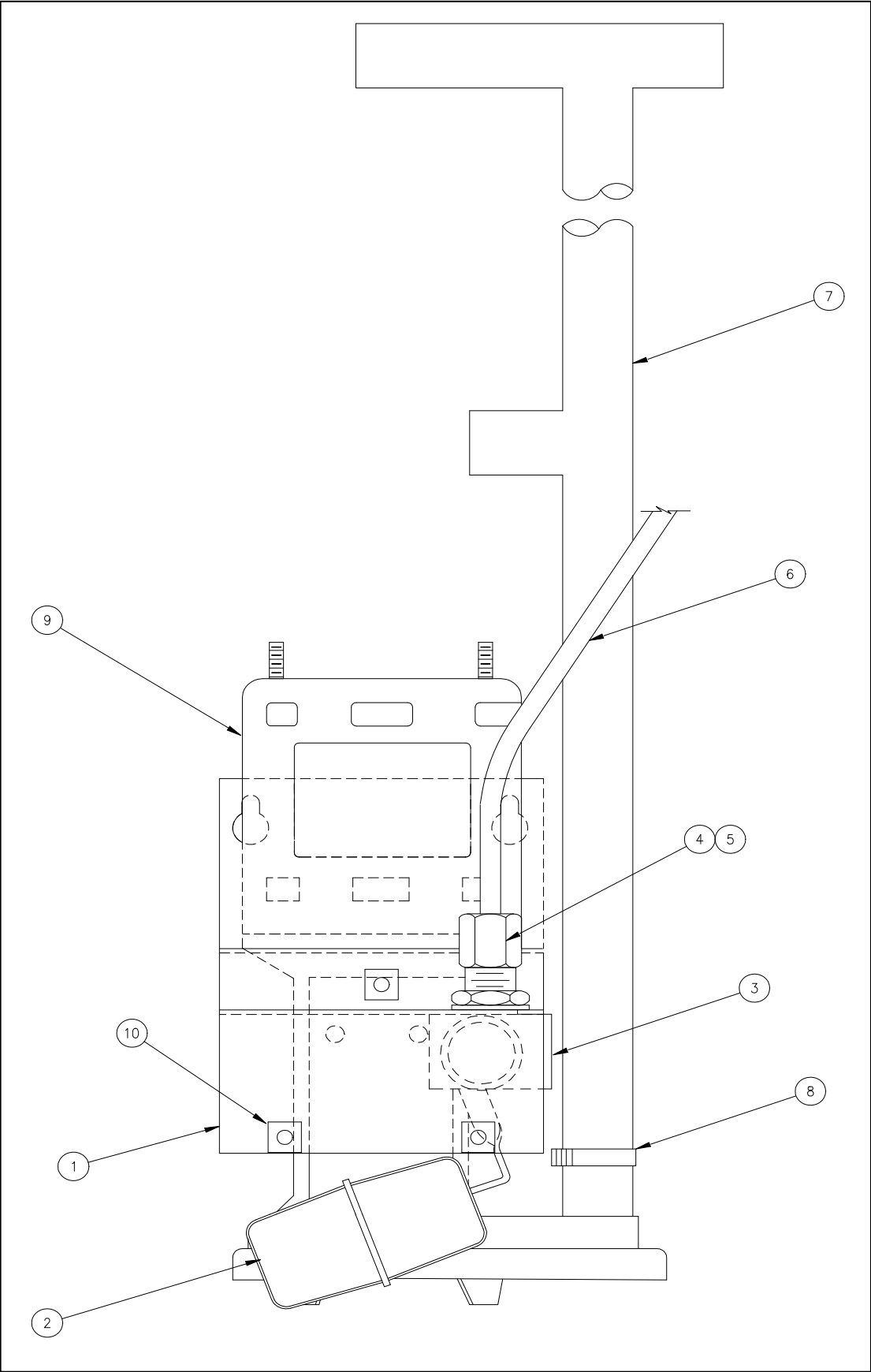
Item No.	Model Number				Description
	CCM1848 2	CCM1848 3	CCM2148 2	CCM2148 3	
1	620204366	620204366	620204366	620204366	Bracket, Probe Motor
2	620204631	620204631	620204631	620204631	Gear Motor
3	620204571	620204571	620204571	620204571	Clutch Assembly .312 rad
4	620204483	620204483	620204483	620204483	Snap Bushing
5	620204481	620204481	620204481	620204481	Snap Bushing
6	620204439	620204439	620204439	620204439	#6-32 x 1/2 Fillister Head Screw
7	620204484	620204484	620204484	620204484	Connecting Rod
8	620204424	620204424	620204424	620204424	Probe, Single Length
9	620204427	620204427	620204427	620204427	Plain Flat Washer
10	620204451	620204451	620204451	620204451	Shoulder Screw
11	620204516	620204516	620204516	620204516	Spacer, Cam Switch
12	620204556	620204556	620204556	620204556	Cam Switch
13	620204407	620204407	620204407	620204407	Insulator, Switch
14	620204434	620204434	620204434	620204434	Pan Head Machine Screw
15	620204452	620204452	620204452	620204452	Speed Nut Plate
	620204313	620204313	620204313	620204313	Complete Assembly

Item No.	Model Number			Description
	CCM14485	CCM1448 2	CCM1448 3	
1	620204366	620204366	620204366	Bracket, Probe Motor
2	620204631	620204631	620204631	Gear Motor
3	620204571	620204571	620204571	Clutch Assembly .312 rad
4	620204483	620204483	620204483	Snap Bushing
5	620204481	620204481	620204481	Snap Bushing
6	620204439	620204439	620204439	#6-32 x 1/2 Fillister Head Screw
7	620204484	620204484	620204484	Connecting Rod
8	620204424	620204424	620204424	Probe, Single Length
9	620204427	620204427	620204427	Plain Flat Washer
10	620204451	620204451	620204451	Shoulder Screw
11	620204516	620204516	620204516	Spacer, Cam Switch
12	620204556	620204556	620204556	Cam Switch
13	620204407	620204407	620204407	Insulator, Switch
14	620204434	620204434	620204434	Pan Head Machine Screw
15	620204452	620204452	620204452	Speed Nut Plate
	620204313	620204313	620204313	Complete Assembly



Item No.	Model Number				Description
	CCM1848 2 RC18002	CCM1848 3 RC18002	CCM2148 2 RC21002	CCM2148 3 RC21002	
1	620204784	620204784	620204592	620204592	Condenser
2	620204576	620204576	620204576	620204576	Fan Blade
3	620204642	620204642	620204642	620204642	Fan Motor
4	620204643	620204643	620204643	620204643	Capacitor
5	620204342	620204342	620204342	620204342	Fan Motor Brace
6	620204575	620204575	620204575	620204575	Fan Guard
7	620204785	620204785	620204789	620204789	Top Panel
8	620204786	620204786	620204790	620204790	Side Panel
9	620204787	620204787	620204787	620204787	Front Panel
10	620204788	620204788	620204788	620204788	Rear Panel
11	620204791	620204791	620204791	620204791	Coupling Half-Bulkhead-1/2"
12	620204792	620204792	620204792	620204792	Coupling Half-Bulkhead-3/8"
13	620204341	620204341	620204341	620204341	Mounting Leg
14	620204525	620204525	620204525	620204525	Lineset Fitting with Port 1/2"
15	620204523	620204523	620204523	620204523	Lineset Fitting with Port 3/8"
16	620204524	620204524	620204524	620204524	Lineset Fitting without Port 1/2"
17	620204522	620204522	620204522	620204522	Lineset Fitting without Port 3/8"

Item No.	Model Number			Description
	CCM1448 5 RC14002	CCM1448 2 RC14002	CCM1448 3 RC14002	
1	620204590	620204590	620204590	Condenser
2	620204576	620204576	620204576	Fan Blade
3	620204642	620204642	620204642	Fan Motor
4	620204643	620204643	620204643	Capacitor
5	620204342	620204342	620204342	Fan Motor Brace
6	620204575	620204575	620204575	Fan Guard
7	620204793	620204793	620204793	Top Panel
8	620204794	620204794	620204794	Side Panel
9	620204787	620204787	620204787	Front Panel
10	620204788	620204788	620204788	Rear Panel
11	620204791	620204791	620204791	Coupling Half-Bulkhead-1/2"
12	620204792	620204792	620204792	Coupling Half-Bulkhead-3/8"
13	620204341	620204341	620204341	Mounting Leg
14	620204525	620204525	620204525	Lineset Fitting with Port 1/2"
15	620204523	620204523	620204523	Lineset Fitting with Port 3/8"
16	620204524	620204524	620204524	Lineset Fitting without Port 1/2"
17	620204522	620204522	620204522	Lineset Fitting without Port 3/8"



CCM Series Service Parts

Water Pump and Float

Item No.	Model Number				Description
	CCM1848 2	CCM18483	CCM2148 2	CCM2148 3	
1	620204346	620204346	620204346	620204346	Pump Bracket
2	620204565	620204565	620204565	620204565	Float Assembly
3	620204563	620204563	620204563	620204563	Cap Plug
4	620204532	620204532	620204532	620204532	Sleeve
5	620204531	620204531	620204531	620204531	Barrel Fitting
6	620204418	620204418	620204418	620204418	Tube- Polyethylene (3.59 Ft.)
7	620204507	620204507	620204507	620204507	Water Pump Tube
8	620204420	620204420	620204420	620204420	Hose Clamp
9	620204637	620204637	620204637	620204637	Water Pump
10	620204457	620204457	620204457	620204457	Plastic Nut #10

Item No.	Model Number			Description
	CCM1448 5	CCM1448 2	CCM1448 3	
1	620204346	620204346	620204346	Pump Bracket
2	620204565	620204565	620204565	Float Assembly
3	620204563	620204563	620204563	Cap Plug
4	620204532	620204532	620204532	Sleeve
5	620204531	620204531	620204531	Barrel Fitting
6	620204418	620204418	620204418	Tube- Polyethylene (3.59 Ft.)
7	620204795	620204795	620204795	Water Pump Tube
8	620204420	620204420	620204420	Hose Clamp
9	620204637	620204637	620204637	Water Pump
10	620204457	620204457	620204457	Plastic Nut #10

Compressor Components

Model Number

CCM1448 2	CCM1848 2	620204690	Compressor
		620204652	Start Capacitor
		620204674	Run Capacitor
		620204676	Relay
CCM1448 5		620204779	Compressor
		620204655	Start Capacitor
		620204674	Run Capacitor
		620204675	Relay
CCM1448 3		620204693	Compressor
		N/A	Start Capacitor
		N/A	Run Capacitor
		N/A	Relay
CCM1848 3		620204691	Compressor
		N/A	Start Capacitor
		N/A	Run Capacitor
		N/A	Relay
CCM2148 2		620204701	Compressor
		620204652	Start Capacitor
		620204671	Run Capacitor
		620204677	Relay
CCM2148 3		620204691	Compressor
		N/A	Start Capacitor
		N/A	Run Capacitor
		N/A	Relay

Free Manuals Download Website

<http://myh66.com>

<http://usermanuals.us>

<http://www.somanuals.com>

<http://www.4manuals.cc>

<http://www.manual-lib.com>

<http://www.404manual.com>

<http://www.luxmanual.com>

<http://aubethermostatmanual.com>

Golf course search by state

<http://golfingnear.com>

Email search by domain

<http://emailbydomain.com>

Auto manuals search

<http://auto.somanuals.com>

TV manuals search

<http://tv.somanuals.com>