



INSTALLATION INSTRUCTIONS

ED/DF300 22" CCM322/522 NORDIC BLACK/GRAY STYLE LID KITS

This Nordic style kit applies to the Cornelius 22" wide CCM322/522 ice maker.

Item No.	Part No.	Name	Qty.
1	15210	Lid Assembly	1
2	22127	Icemaker Mounting Bracket	2
3	50904	RTV. 3Oz Tube	1
4	52946 52964	Manual Ice Fill Cover, Black Manual Ice Fill Cover, Gray	1
5	91957	Label, "Disconnect Power Before Cleaning"	1
6	620042919	ED300 Ice Baffle	1
7	620701601	#10 x 1/2" LG. Sheetmetal Screw	8
8	620701902	#8-32 Nylon Acorn Nut	4
9	620701901	Sealing Washer	4
10	621701903	#8 Nylon Washer	4
11	620204725INS	Installation Instructions	1
13	630500109	Bin Stat	1

CAUTION: Disconnect electrical power to the dispenser before proceeding with the icemaker adapter kit installation.

WARNING: The dispenser must be secured with 3/8-16 bolts (6) to the counter before installing this Icemaker Adapter Kit. Refer to the installation manual and Figure 2 for the counter mounting template.

NOTE: Adjust the automatic agitation timer located in the dispenser's electrical control box to 5 seconds on, 20 minutes off. Access to the timer is provided by removing the merchandiser/upper front panel.

1. Remove the (2) screws from each side of the dispenser cabinet, and the plastic hopper covers (2) that were shipped with the unit.
2. Place the "K" style lid on the unit and use the (4) screws that were removed to fasten the lid in place.
3. Install the ice baffle on the lid assembly as shown in Figure 2.

IMPORTANT: The baffle prevents ice from over-filling the manual fill area during agitation/dispensing with a full storage bin and forcing the manual fill cover off.

4. Seal the icemaker to the top of the dispenser after determining the correct location for the ice maker (see Figure 1).
 - A. Run beads of RTV around the opening in the lid and inside of the perimeter of the ice maker outline so that the ice maker will set on the RTV.
 - B. Set the ice maker onto the lid and position it as required.
 - C. Wipe away the excess RTV.
5. Drill .147 diameter holes into the ice maker cabinet and the dispenser lid using the icemaker mounting brackets as templates. USE CAUTION SO AS NOT TO DRILL INTO ANY ICEMAKER COMPONENTS (CONDENSER, TUBING, ETC.). Secure the brackets using the #10 sheetmetal screws provided.
6. Install the wire form bracket, supplied with the bin stat kit (item 4), through the 5/8" diameter hole in the bottom of the ice maker. Wrap the eye of the wireform over the stud near the hole to the end of

the wireform bracket and wrap the tube around the end of the bracket several times, insuring the tube is secure.

NOTE: The bin stat must not interfere with the agitator rotation or in the path of ice falling from the icemaker. If it interferes with the agitator or in the path of ice, bend the bracket out of the way.

IMPORTANT: Do not use the spacers provided for mounting the bin thermostat capillary tube to the Icemaker base.

7. 7. Locate the cleaning caution label (item 5) on the manual ice fill cover (item 4) as shown in Figure 1. Place the manual fill cover in position over the flange on the lid assembly and the front access hopper opening.
8. The unit is now ready for operation.

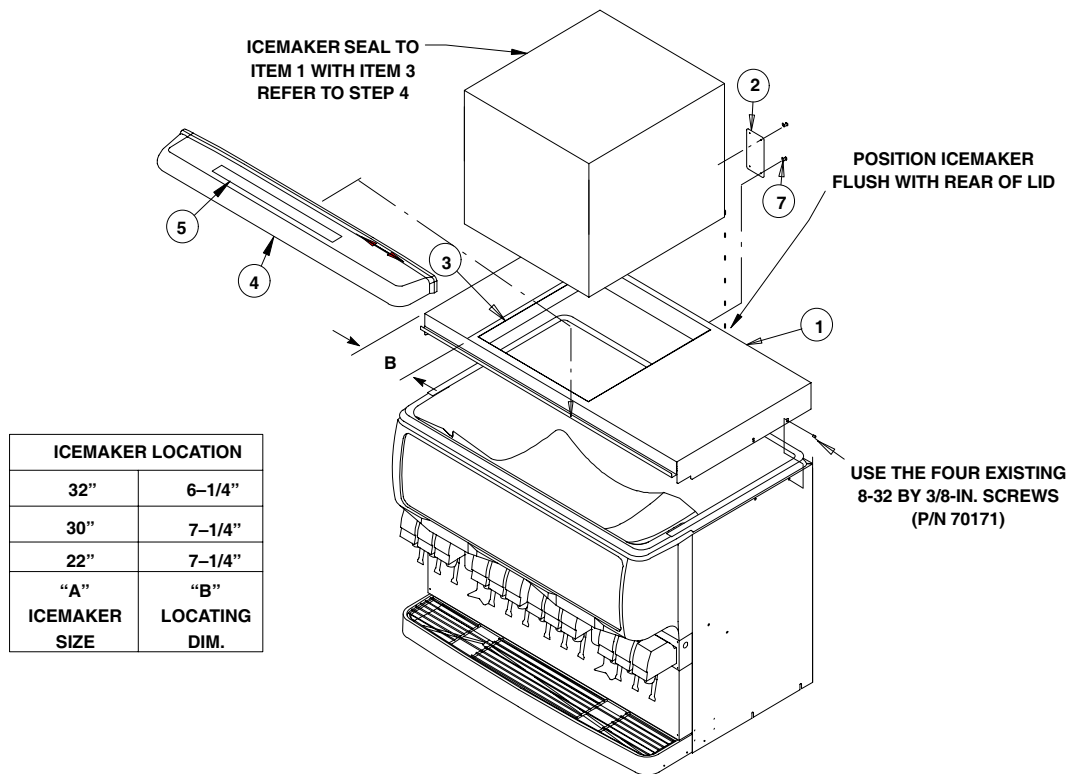


FIGURE 1. ED/DF300 Kit

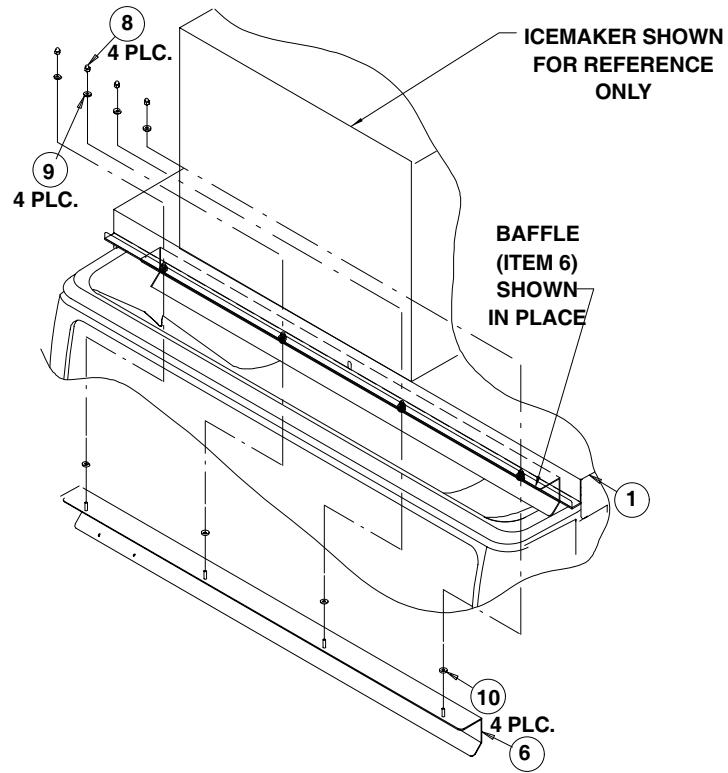
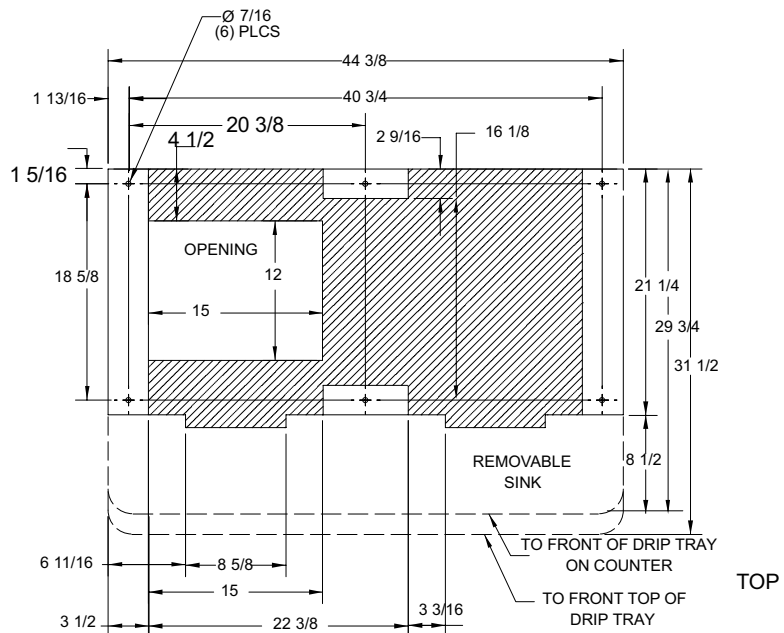


FIGURE 2. ED/DF300 Kit



RECOMMENDED COUNTER OPENING SIZE 12" X 15"
FOR UTILITIES AND BEVERAGE TUBING.

FIGURE 3. ED/DF300 Mounting Template

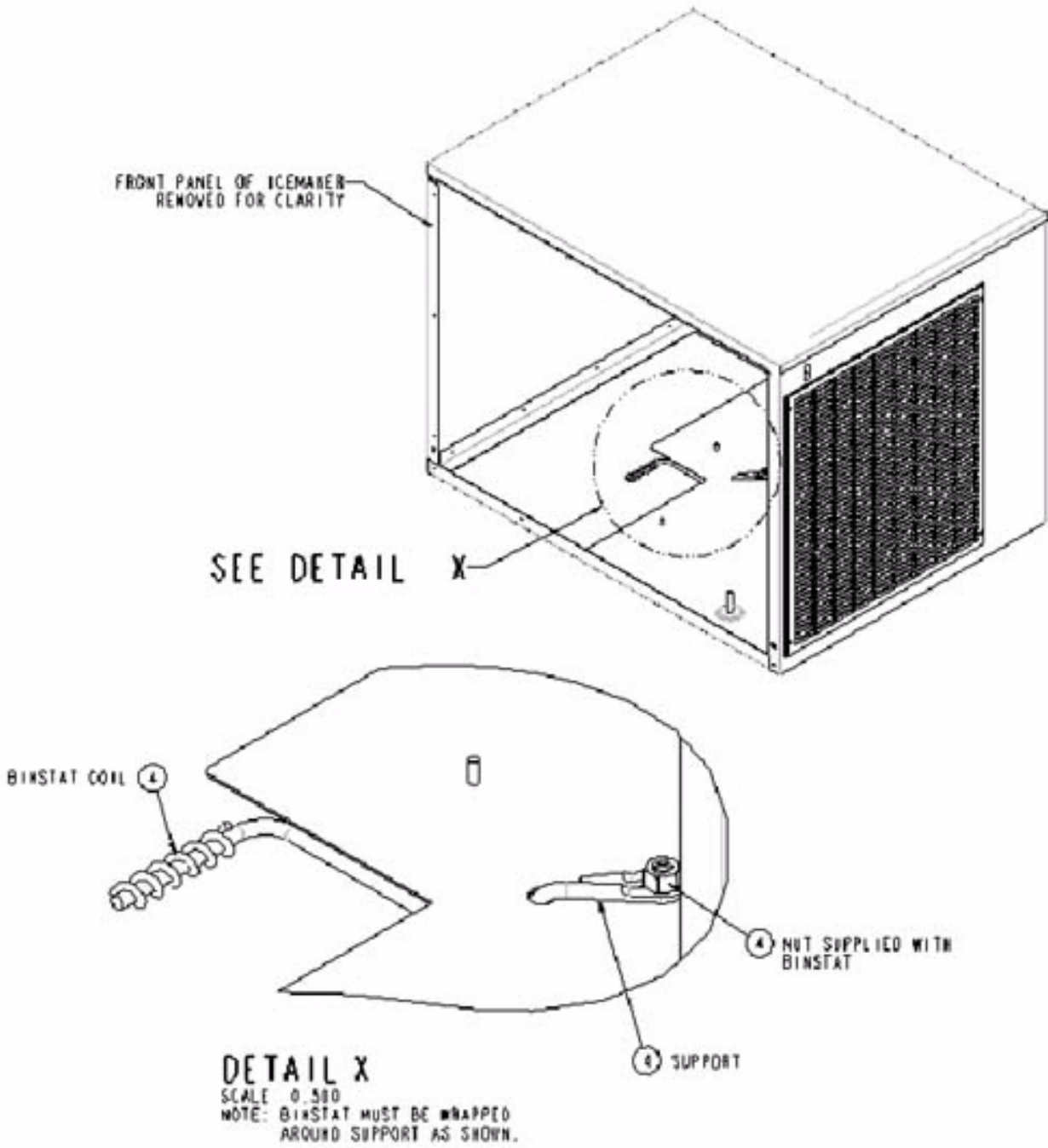


FIGURE 4. Bin Stat

Free Manuals Download Website

<http://myh66.com>

<http://usermanuals.us>

<http://www.somanuals.com>

<http://www.4manuals.cc>

<http://www.manual-lib.com>

<http://www.404manual.com>

<http://www.luxmanual.com>

<http://aubethermostatmanual.com>

Golf course search by state

<http://golfingnear.com>

Email search by domain

<http://emailbydomain.com>

Auto manuals search

<http://auto.somanuals.com>

TV manuals search

<http://tv.somanuals.com>