



IMI CORNELIUS INC.
www.cornelius.com

HOTEL DISPENSER Model CHD22 /CHD30 Service Parts Manual



Publication Number: 631806054

Revision Date: October 6, 2008

Revision: B

Visit the IMI Cornelius web site at www.cornelius.com for all your Literature needs.

CHD22 and CHD30 Service Parts

This is the list of service parts and wiring diagrams for all versions of these two hotel dispensers.

Pay close attention to the voltage and/or cycles to be sure of ordering the correct part.

Table of Contents

Front and Top Panels	Page 2
CHD30 & CHD22 Front Panel	Page 3
CHD30 and CHD30 Front Panel & Related Parts	Page 4
Side, Back and Interior Panels	Page 5
Dispensing Components	Page 6
Ice Chute Mechanism	Page 7
Ice Catch Pan	Page 8
Control Box	Page 9
Wiring Diagram, 115 volt, 60 Hz Basic and Water Station	Page 10
Schematic Diagram, Basic and Water Station Models	Page 11
Wiring Diagram, 230 volt, 50 Hz Basic	Page 12
Wiring Diagram for Coin Mechanism Model	Page 13
Schematic Diagram for Coin Mechanism Model	Page 14

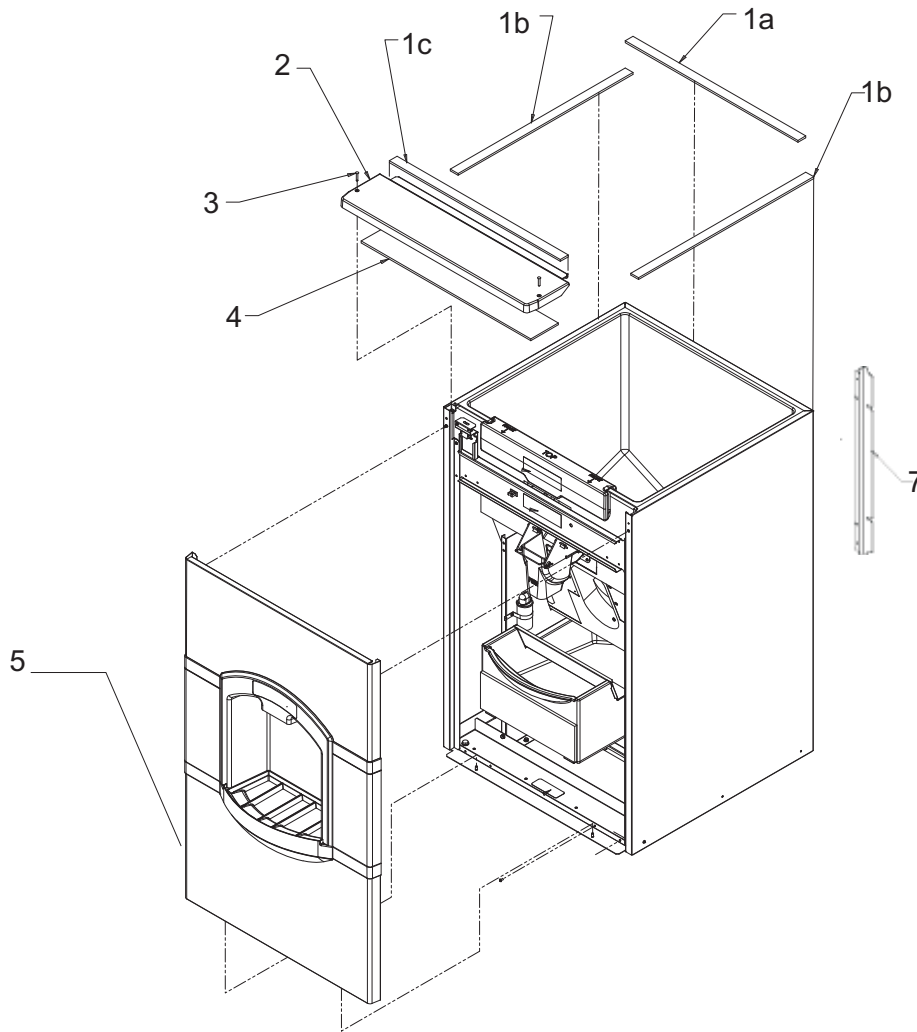
Website: www.cornelius.com

Telephone Number

800-238-3600 All Departments

CHD22 and CHD30 Service Parts

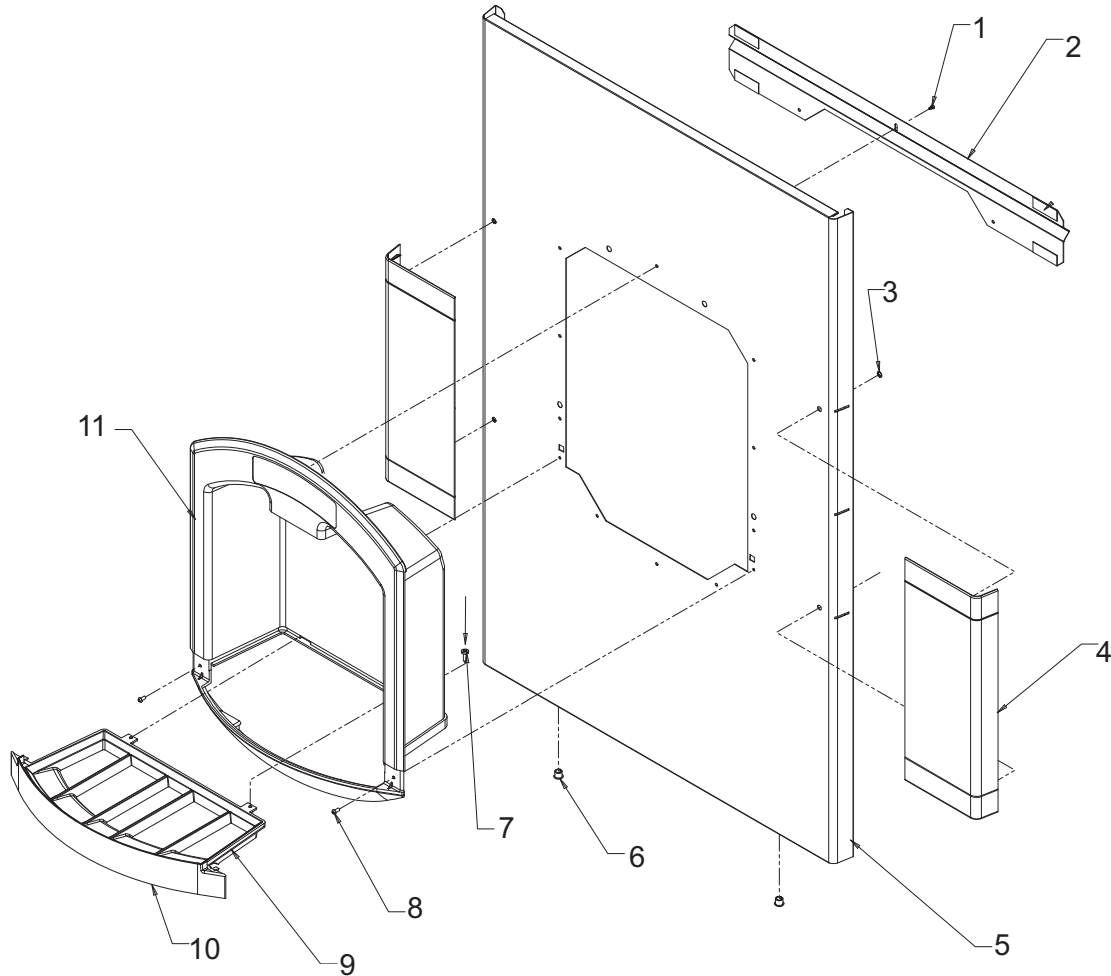
Front and Top Panels



Item Number	Part Number	Description			
			5	See Page 3	CHD30B front panel
				See Page 3	CHD30N front panel
				See Page 3	CHD22 front panel
1	620204172	Gasket tape, order by ft.			
1a	Use 27.5"	for CHD30, 19.5" for HD22			
1b	Use 27.88"		6	620204202	Ice Deflector 30 inch wide only
1c	Use 27.25"	for CHD30, 19.25" for HD22			(NOT SHOWN)
2	620204214	CHD30 top panel			
	620204215	CHD22 top panel			
3	620204229	Top panel screw	7	620204730	30" mounting bracket
4	620204216	CHD30 panel insulation		620204192	22" mounting bracket
	620204217	CHD22 panel insulation	8	620204931	Legs (4 ea)

CHD22 and CHD30 Service Parts

CHD30B & CHD22B Front Panel

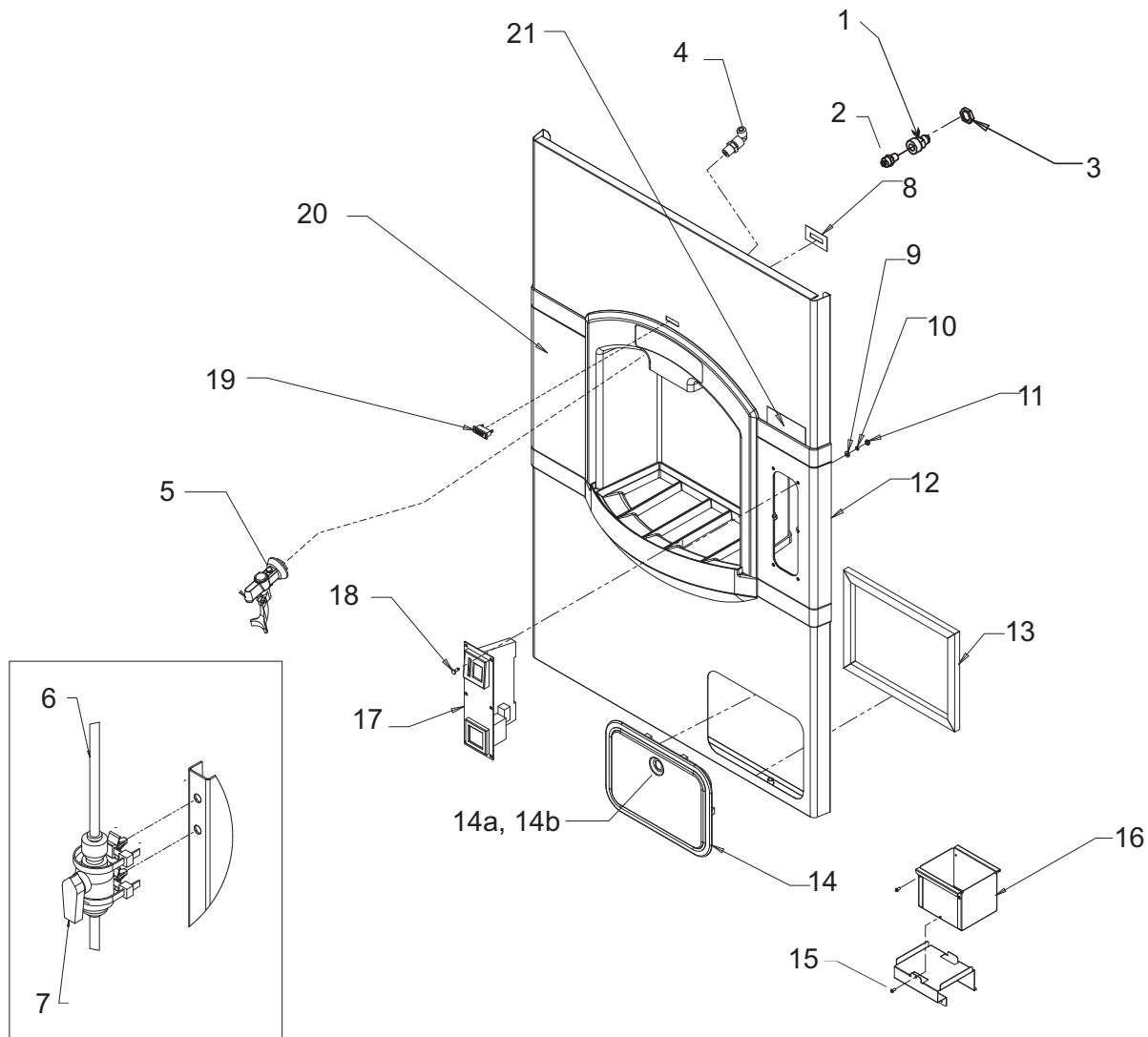


Item Number	Part Number	Description	Item Number	Part Number	Description
1	620204231	Screw	11a	620204207	CHD22, CHD30, CHD30 dispense housing
2	620204188	CHD30 stiffener	11b	620204715	CHD30 dispense housing
	620204189	CHD22 stiffener			
3	620204224	Retainer			
4	620204209	CHD30 side flange			
	620204210	CHD22 side flange			
5	620204712	CHD30 Front panel*			
	620204713	CHD22 Front panel*			
6	620204237	Snap bushing			
7	620204222	Screw			
8	620204720	Screw			
9	620204269	Foam gasket, 6" per side			
10	620204208	Grill			

* includes items 1 thru 4

CHD22 and CHD30 Service Parts

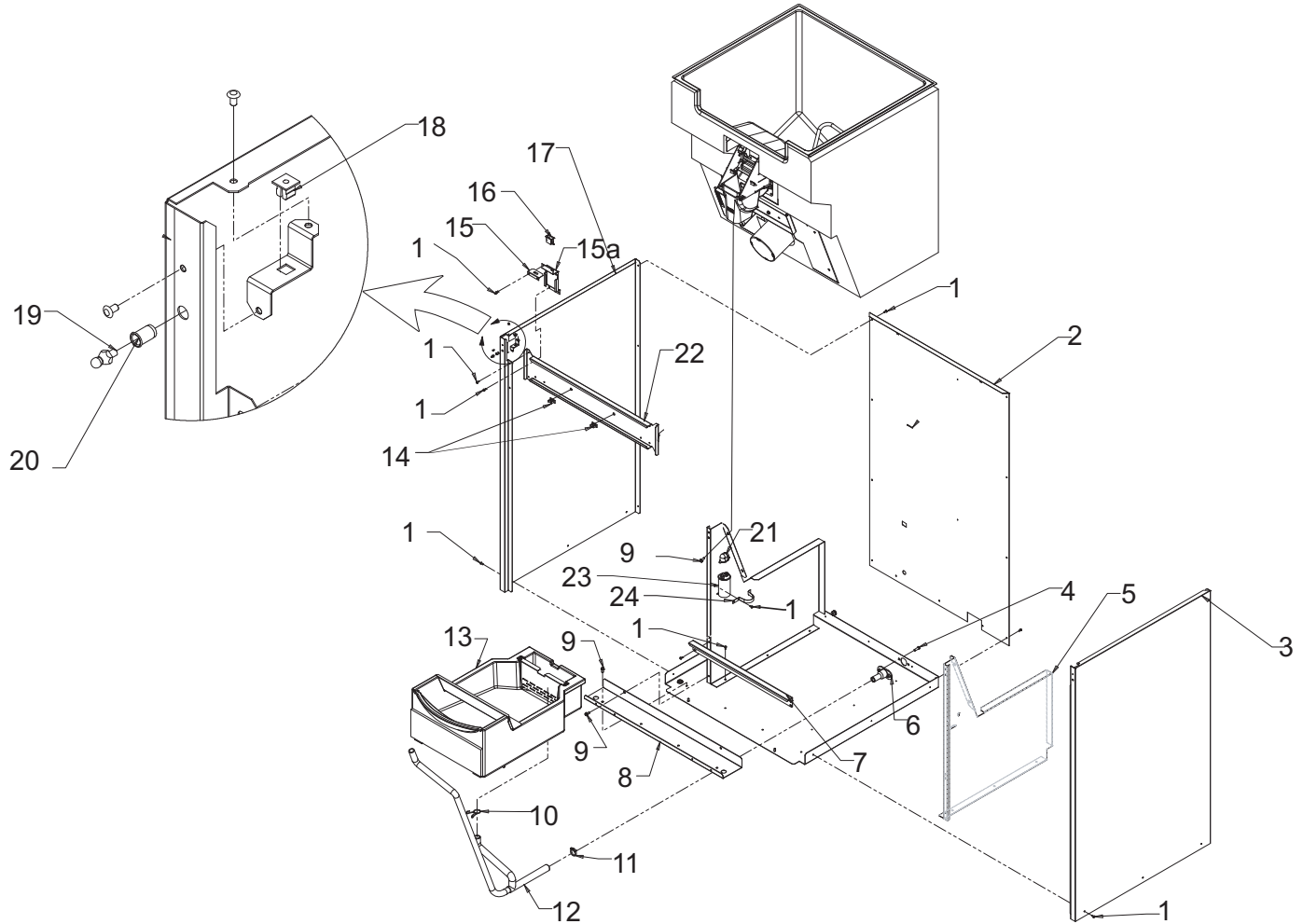
CHD30N and CHD30W Front Panel & Related Parts



Item Number	Part Number	Description	Item Number	Part Number	Description
1	620204261	Water inlet fitting	12	620204719	Right side flange for coin mech model
2	620204262	Straight connector	13	620204173	Door shim
3	620204221	Pal nut	14	620204247	Door and lock
4	620204264	Male elbow connector	14a	620204251	Lock and key
5	620204213	Water faucet	14b	620204252	Key
6	620204258	Tubing, order per ft	15	620204720	Coin box screw
7	620204265	Shut off valve	16	620204195	Coin box
8	620204200	Indicator light backing	17	620204249	Coin mechanism
9	620204716	Washer for coin mech		620204250	Coin switch
10	620204717	Lockwasher	18	620204248	Mounting screw
11	620204718	Hex nut (8-32)	19	620204255	Ready light
			20	620204731	CHD30 left side flange
			21	620204266	Coin mech label

CHD22 and CHD30 Service Parts

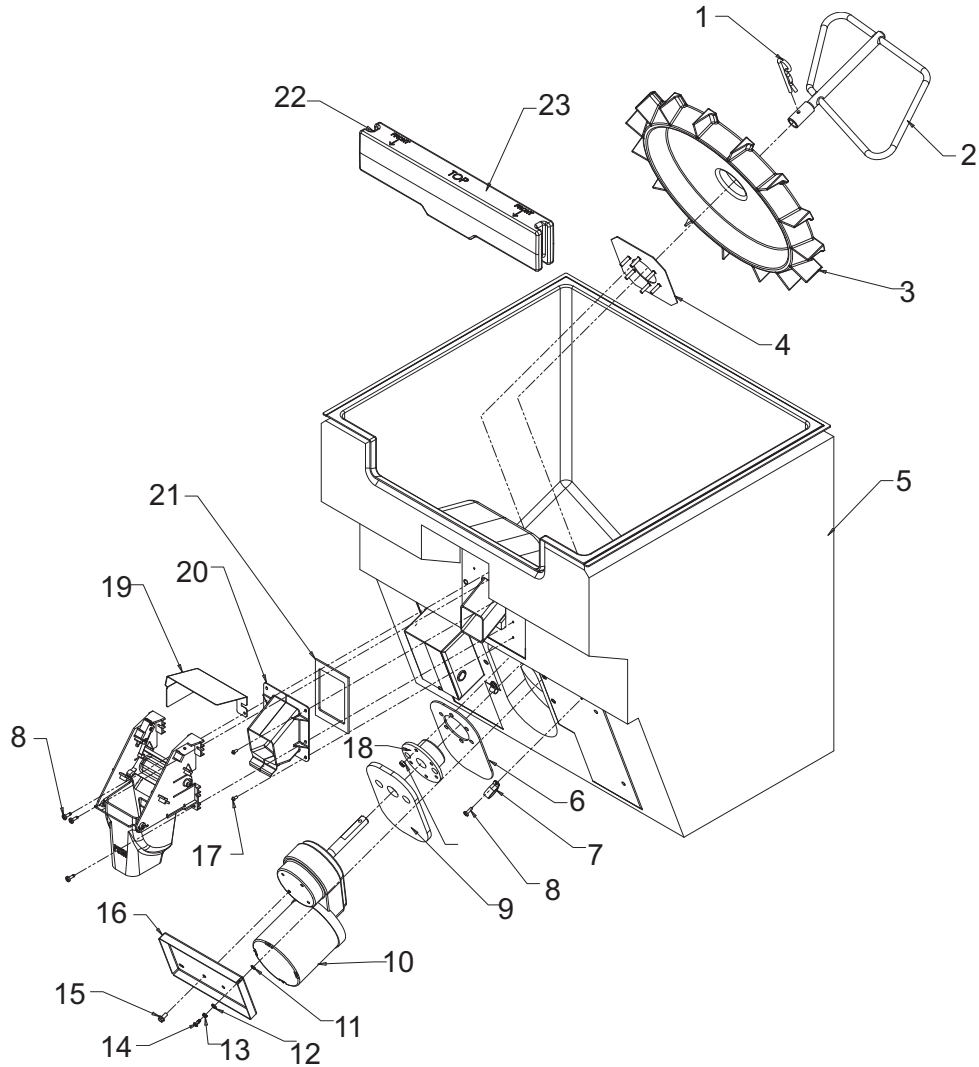
Side, Back and Interior Panels



Item Number	Part Number	Description	Item Number	Part Number	Description
1	620204720	Screw	12	620204211	Drain hose
2	620204279	CHD30 back panel	13	620204274	Drain pan, assembled
	620204203	HD22 back panel	14	620204176	Wire clamp (coin mech)
3	620204278	Right side panel, includes mounting hardware	15	620204194	Switch plate top
4	620204220	Screw	15a	620204193	Switch plate
5	620204281	Bin support, right	16	620204722	Switch, interlock
	620204280	Bin support, left	17	620204271	Left side panel, includes mounting hardware
6	620204178	Drain fitting	18	620204230	Plastic nut
7	620204187	Catch pan support	19	620204227	Strike (ball stud)
8	620204190	CHD30 base stiffener	20	620204228	Insert
	620204191	CHD22 base stiffener	21	620204257	Terminal cover
9	620204721	Screw	22	620204183	CHD30 support bracket
10	620204179	Hose clamp		620204184	CHD22 support bracket
11	620204175	Hose clamp	23	620204267	Motor capacitor
			24	620204270	Strap

CHD22 and CHD30 Service Parts

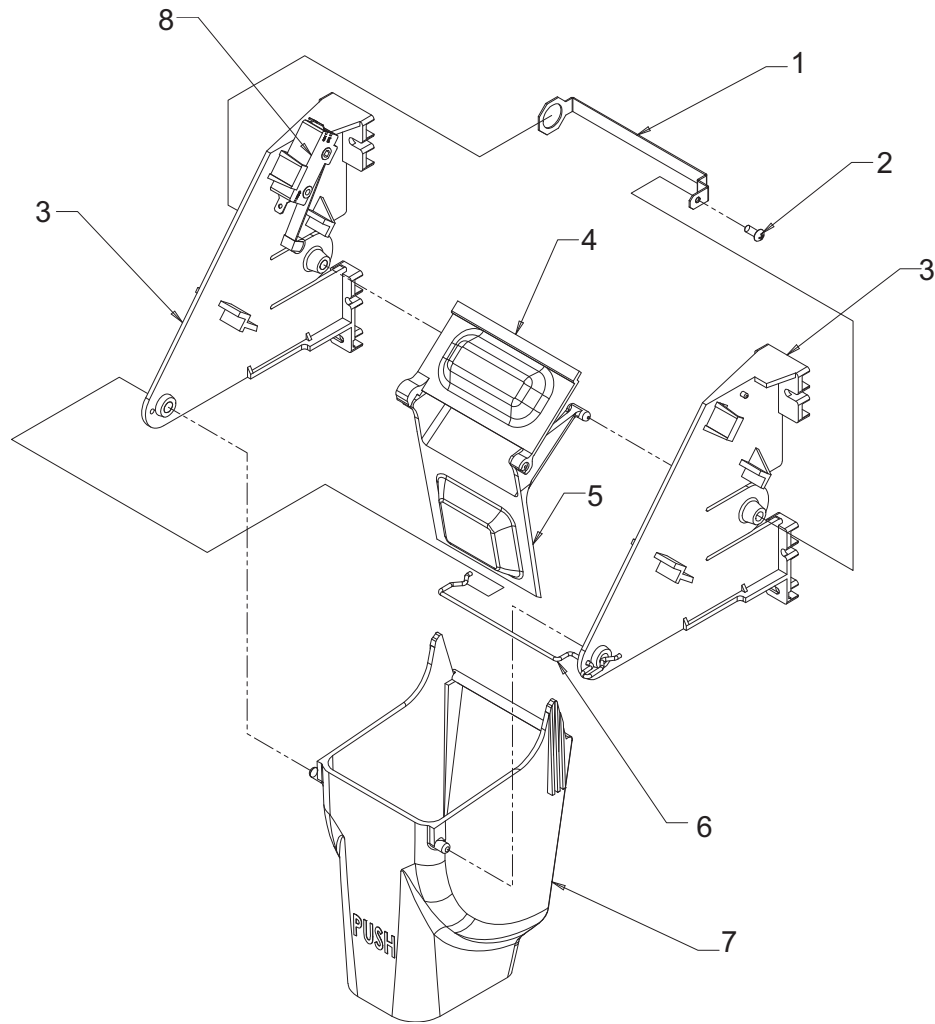
Dispensing Components



Item Number	Part Number	Description	Item Number	Part Number	Description
1	620204232	Hitch pin	11	620204725	Retainer
2	620204212	Sweep arm	12	620204226	Cupped washer
3	620204723	Dispense rotor	13	620204225	Spring
4	620204732	Hub plate	14	620204233	¼ turn stud
5	620204272	CHD30 bin assembly	15	620204721	Screw
	620204273	CHD22 bin assembly	16	620204186	Mounting plate
6	620204260	Insulation pad	17	620204720	Screw
7	620204235	Loop clamp	18	620204733	Hub
8	620204724	Screw	19	620204196	Switch guard
9	620204259	Insulation for hub	20	620204201	Spout
10	620204253	Dispense gearmotor, dual voltage	21	620204219	Gasket
			22	620204268	Gasket, 4" each end
			23	620204185	Bin door

CHD22 and CHD30 Service Parts

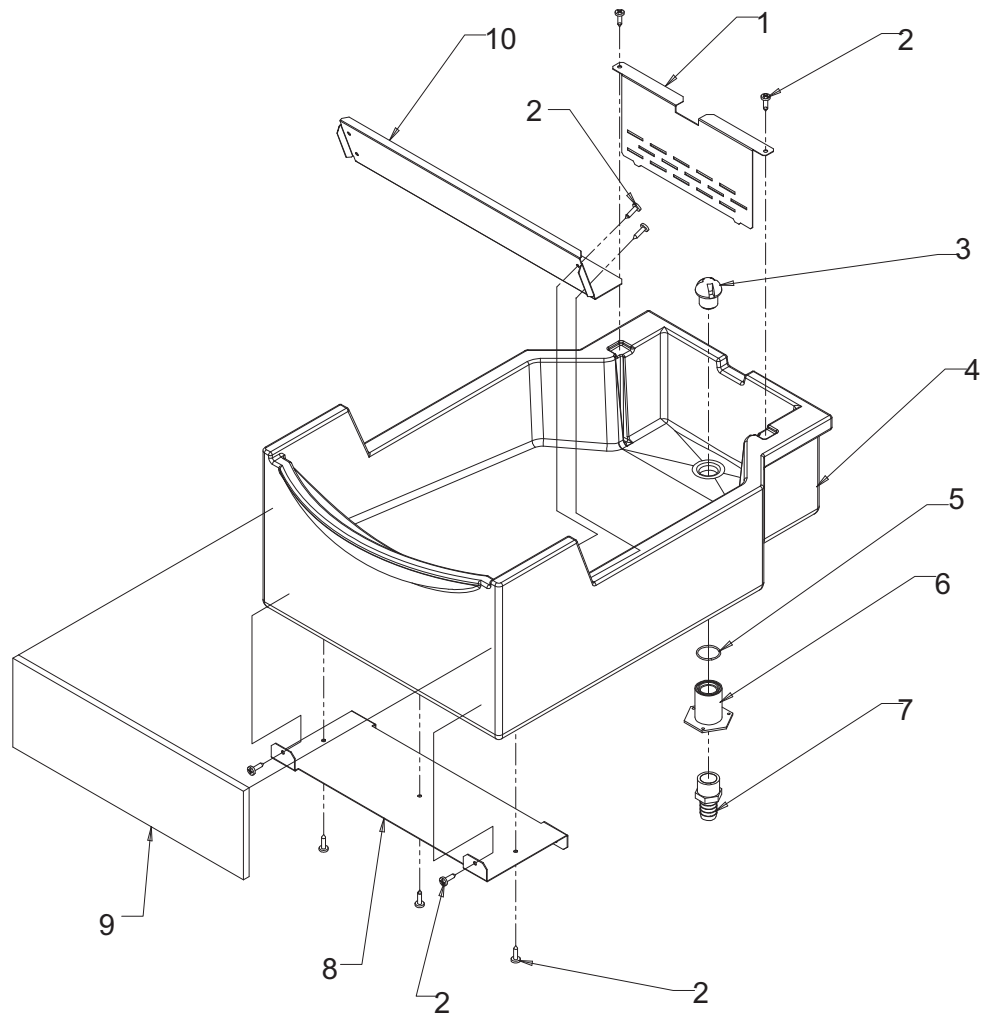
Ice Chute Mechanism



Item Number	Part Number	Description
1	620204199	Clip
2	620204720	Screw
3	620204192	Bracket
4	620204182	Door lock
5	620204181	Door
6	620204206	Wire
7	620204180	Dispense chute
8	620204240	Vend switch

CHD22 and CHD30 Service Parts

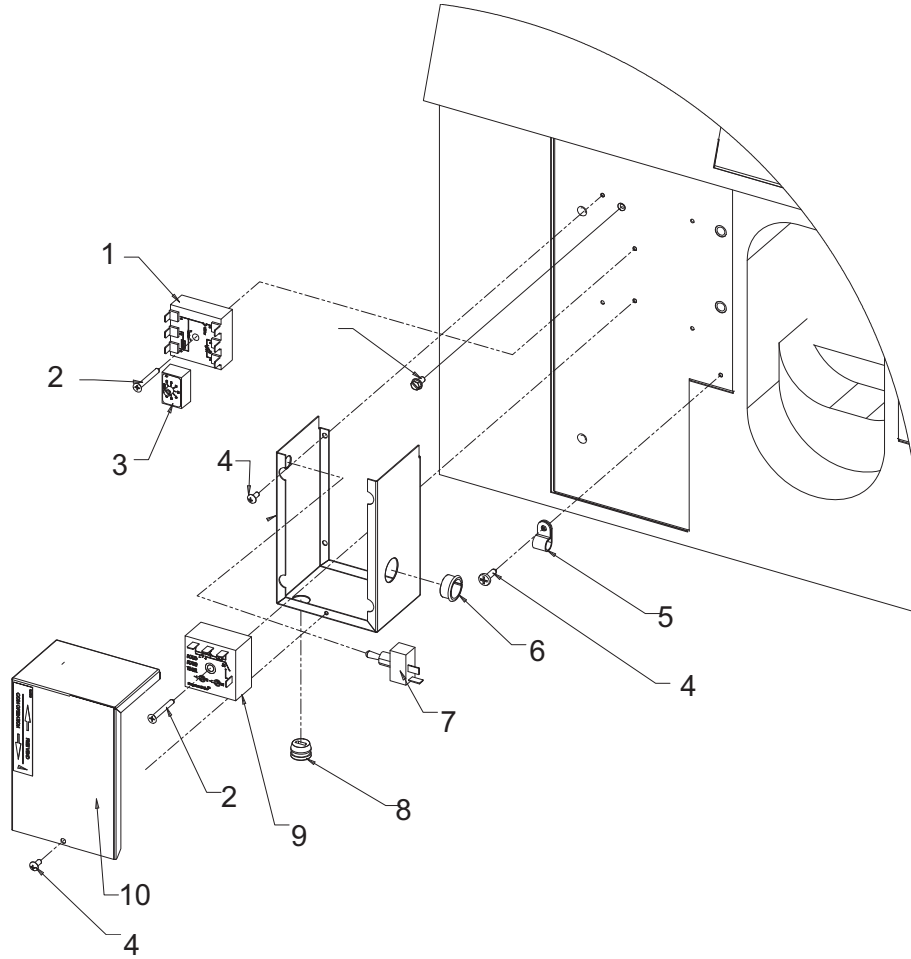
Ice Catch Pan



Item Number	Part Number	Description
1	620204283	Screen
2	620204726	Screw
3	620204174	Drain top
4	620204727	Complete assembly as shown
5	620204256	O-ring
6	620204177	Drain bottom
7	620204263	Drain fitting
8	620204198	Drain pan bracket
9	620204218	Foam pad
10	620204197	Drain guard

CHD22 and CHD30 Service Parts

Control Box



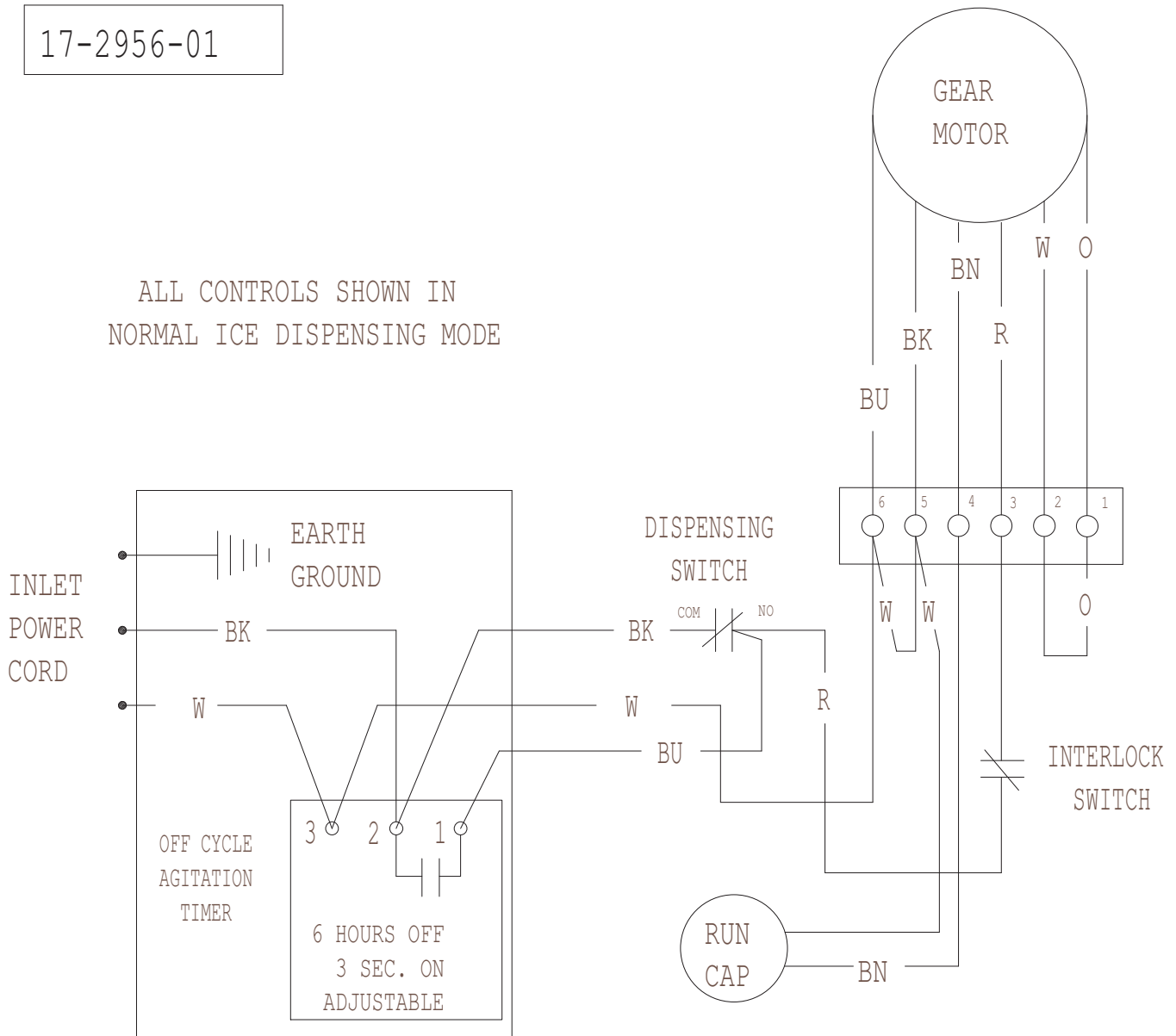
Item Number	Part Number	Description	Not shown	Part Number	Description
1	620204244	Coin mech timer	11	620204241	60 Hz harness, basic and water
2	620204223	Screw		620204246	Coin mech harness
3	620204245	Adjustment module		620204254	50 Hz harness
4	620204720	Screw	12	620204239	115 volt power cord
5	620204234	Loop clamp		620204238	230 volt power cord
6	620204728	Snap bushing			
7	620204729	Free vend switch			
8	620204236	Strain relief			
9	620204242	60 Hz off cycle timer			
	620204243	50 Hz off cycle timer			
10	620204282	Control box cover			

CHD22 and CHD30 Service Parts

Wiring Diagram, 115 volt, 60 Hz Basic and Water Station

17-2956-01

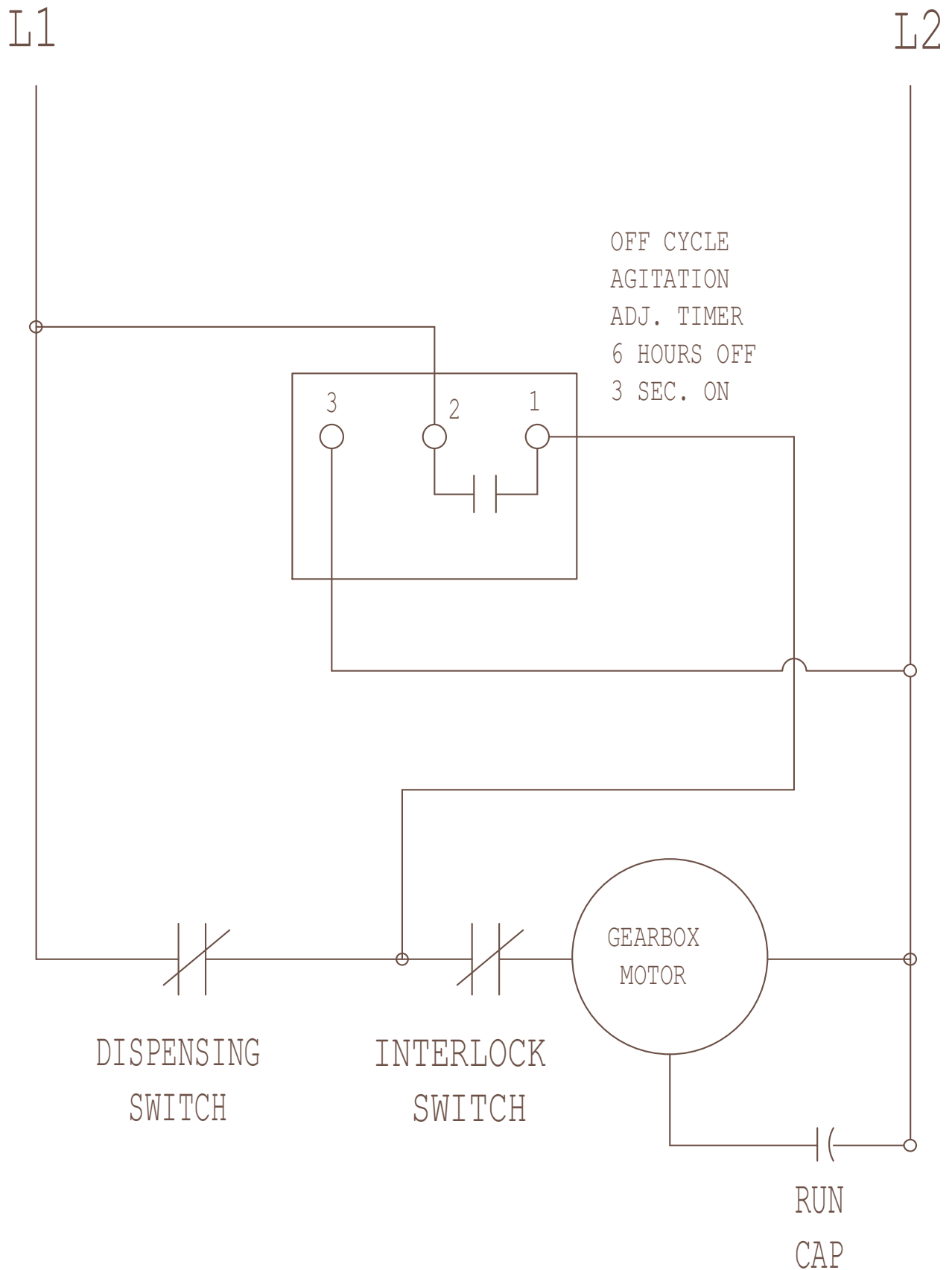
ALL CONTROLS SHOWN IN
NORMAL ICE DISPENSING MODE



USE COPPER CONDUCTORS ONLY

CHD22 and CHD30 Service Parts

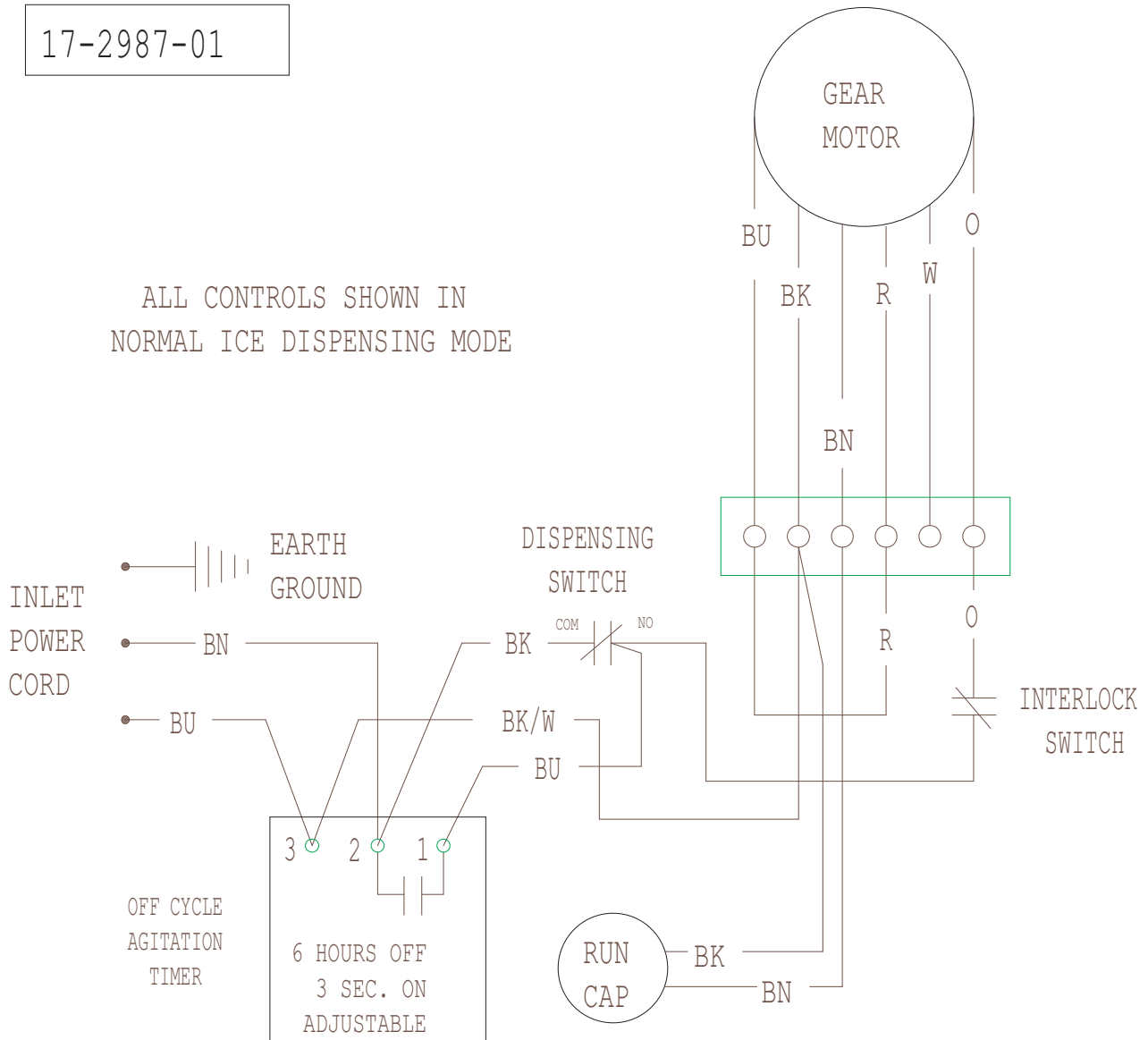
Schematic Diagram, Basic and Water Station Models



CHD22 and CHD30 Service Parts

Wiring Diagram, 230 volt, 50 Hz Basic

17-2987-01

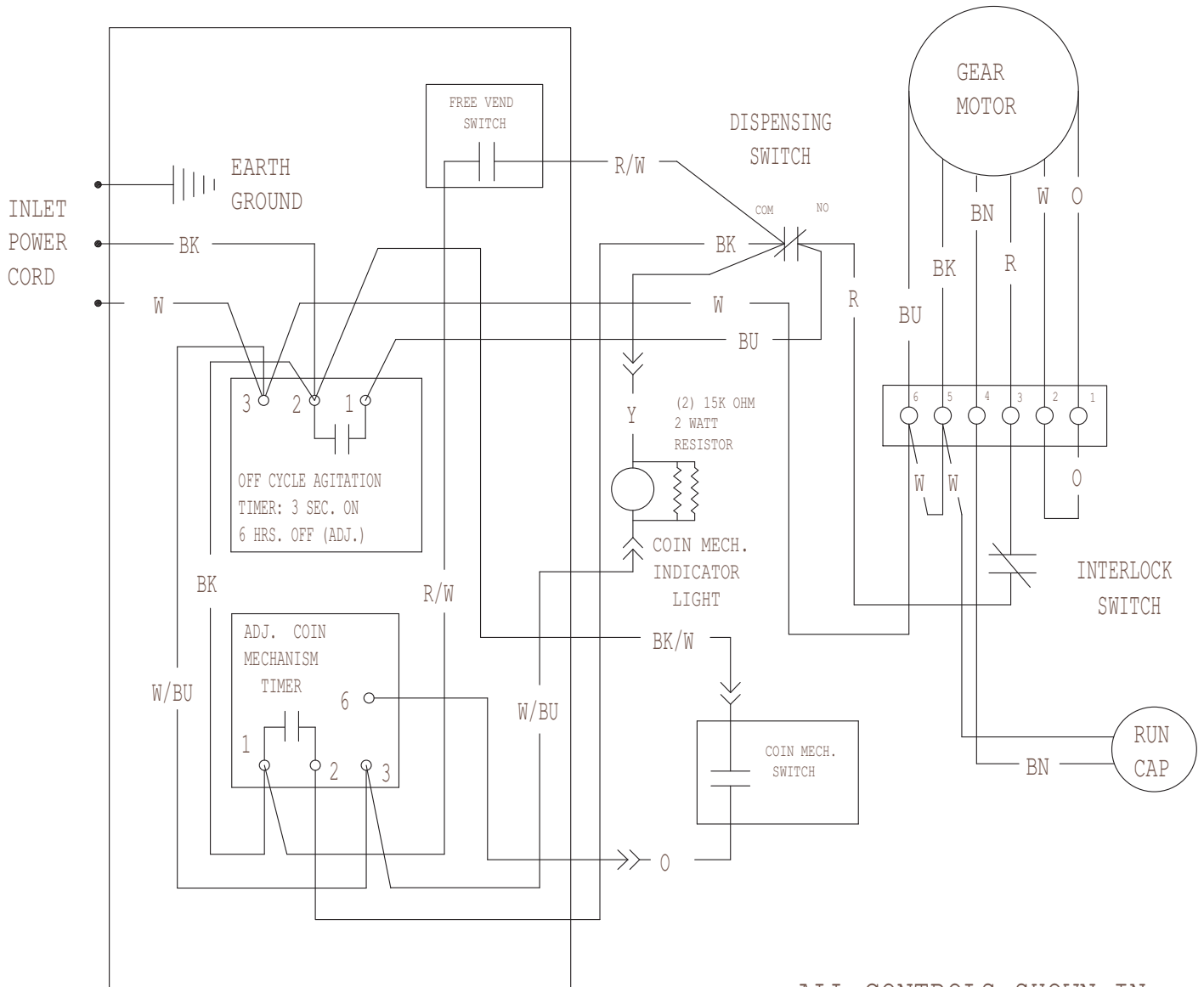


USE COPPER CONDUCTORS ONLY

CHD22 and CHD30 Service Parts

Wiring Diagram for Coin Mechanism Model

17-2967-01

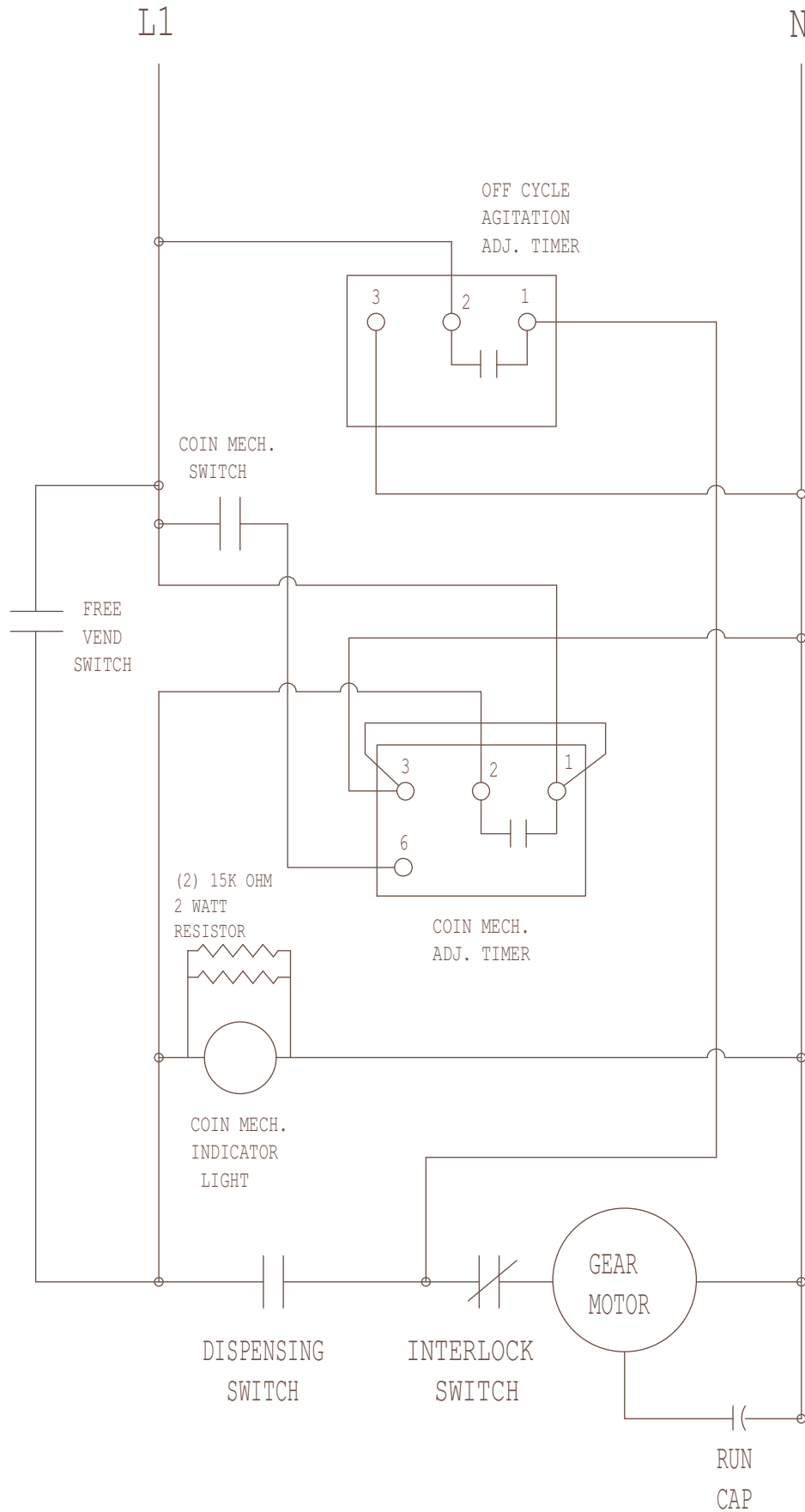


USE COPPER CONDUCTORS ONLY

ALL CONTROLS SHOWN IN
NORMAL ICE DISPENSING MODE

CHD22 and CHD30 Service Parts

Schematic Diagram for Coin Mechanism Model



Free Manuals Download Website

<http://myh66.com>

<http://usermanuals.us>

<http://www.somanuals.com>

<http://www.4manuals.cc>

<http://www.manual-lib.com>

<http://www.404manual.com>

<http://www.luxmanual.com>

<http://aubethermostatmanual.com>

Golf course search by state

<http://golfingnear.com>

Email search by domain

<http://emailbydomain.com>

Auto manuals search

<http://auto.somanuals.com>

TV manuals search

<http://tv.somanuals.com>