



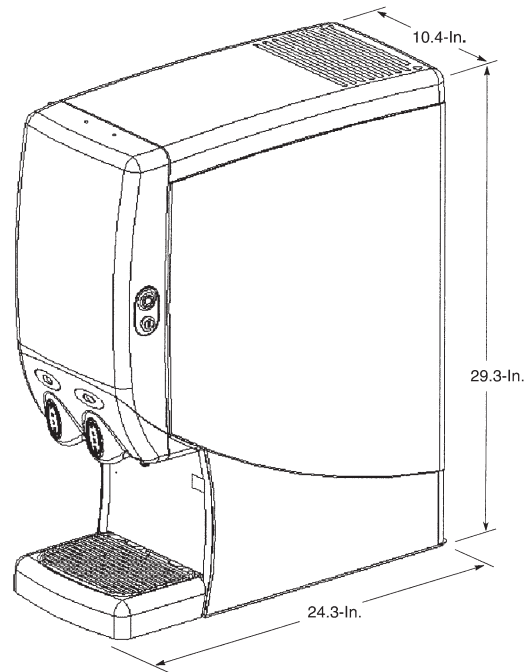
## QUEST 2000

2 FLAVOR POST-MIX  
COLD COFFEE DISPENSER



### FEATURES:

- Serves a wide variety of cold beverages including coffees, lattes and teas
- Large 8 lb ice bank provides exceptional cooling during peak demand periods
- Patented mixing system delivers consistent quality finished drinks
- Narrow 10.4" footprint conserves counter space
- State-of-the-art lighted merchandiser promotes impulse sales and brand recognition
- Contemporary styling is a combination of attractive gray plastic and sturdy stainless steel
- Modular component design simplifies service and sanitation
- Push button or portion control dispensing is available



PART NUMBER	DESCRIPTION
721542182	Quest 2 Flavor Push Button 115 V / 60 Hz with cold coffee graphics
729011004	Extended Panel Kit for Tall Cups
729011153	Cup Locator

## TECHNICAL SPECIFICATIONS:

DESCRIPTION..... 115 volts, 60 Hz  
230 volts, 50 Hz

REFRIGERATION..... Hermetically sealed system, R-134a refrigerant 6.2 oz (175 g)

ICE BANK ..... 8 lb

CABINETRY..... High impact plastic cabinetry with stainless steel front panel

DISPENSER DIMENSIONS ..... 29.3"H x 10.4"W x 24.3"D (74.4 cm x 26.4 cm x 61.7 cm)

WEIGHT..... Dry: 96 lb (43.5 kg)  
Operating: 136 lb (61.7 kg)  
Shipping: 120 lb (54.4 kg)

RECOMMENDED CLEARANCE .. Back: 4" (10.16 cm)  
Top: 12" (30.48 cm)

WATER CONNECTION ..... 0.375" (.95 cm) SAE male flare SAE fitting on dispenser

CONCENTRATE STORAGE..... 2 - 3.5 L bottles

WATER SUPPLY REQUIREMENTS..... 50 psi (3.4 bar) recommended dynamic

OPERATING PRESSURE..... 80 psi (5.15 bar):  
Max static pressure  
20 psi (1.38 bar):  
Min dynamic pressure

COOLING..... Four 5 oz drinks/min (148 mL) @ 75°F (24°C) ambient, 75°F (24°C) incoming water, and 40°F (4°C) concentrate without exceeding a 40°F (4°C)

FLOW RATE..... Adjustable water flow rate from 1-2.2 oz/sec  
Handles 2 + 1 up to 7 + 1 concentrate

AGENCY LISTINGS: .....   



© 2008 IMI CORNELIUS

IN THE U.S.A.  
Ph: 800.238.3600  
Fax: 763.488.4283

OUTSIDE THE U.S.A.  
Ph: 763.488.8200  
Fax: 763.488.4283

101 Broadway Street West  
Osseo, MN 55369  
www.cornelius.com

For more information or to place an order, contact your sales representative or authorized distributor.

## Free Manuals Download Website

<http://myh66.com>

<http://usermanuals.us>

<http://www.somanuals.com>

<http://www.4manuals.cc>

<http://www.manual-lib.com>

<http://www.404manual.com>

<http://www.luxmanual.com>

<http://aubethermostatmanual.com>

Golf course search by state

<http://golfingnear.com>

Email search by domain

<http://emailbydomain.com>

Auto manuals search

<http://auto.somanuals.com>

TV manuals search

<http://tv.somanuals.com>