



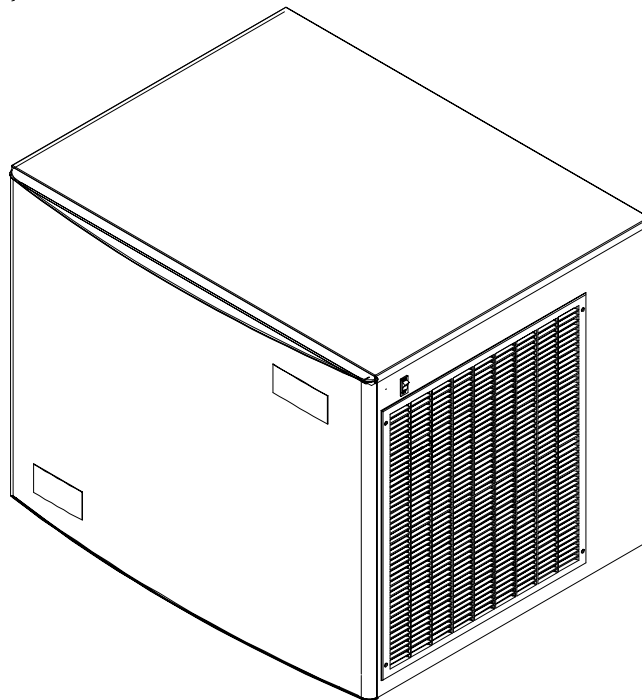
## ILLUSTRATED PARTS LIST

---

### XTREME ICE MAKER (522 AND 530 SERIES)

#### MODEL NO.

631805001  
631805002  
631805003  
631805004  
631805005  
631805006  
631805007  
631805020  
631805021  
631805030  
631805031  
631805032

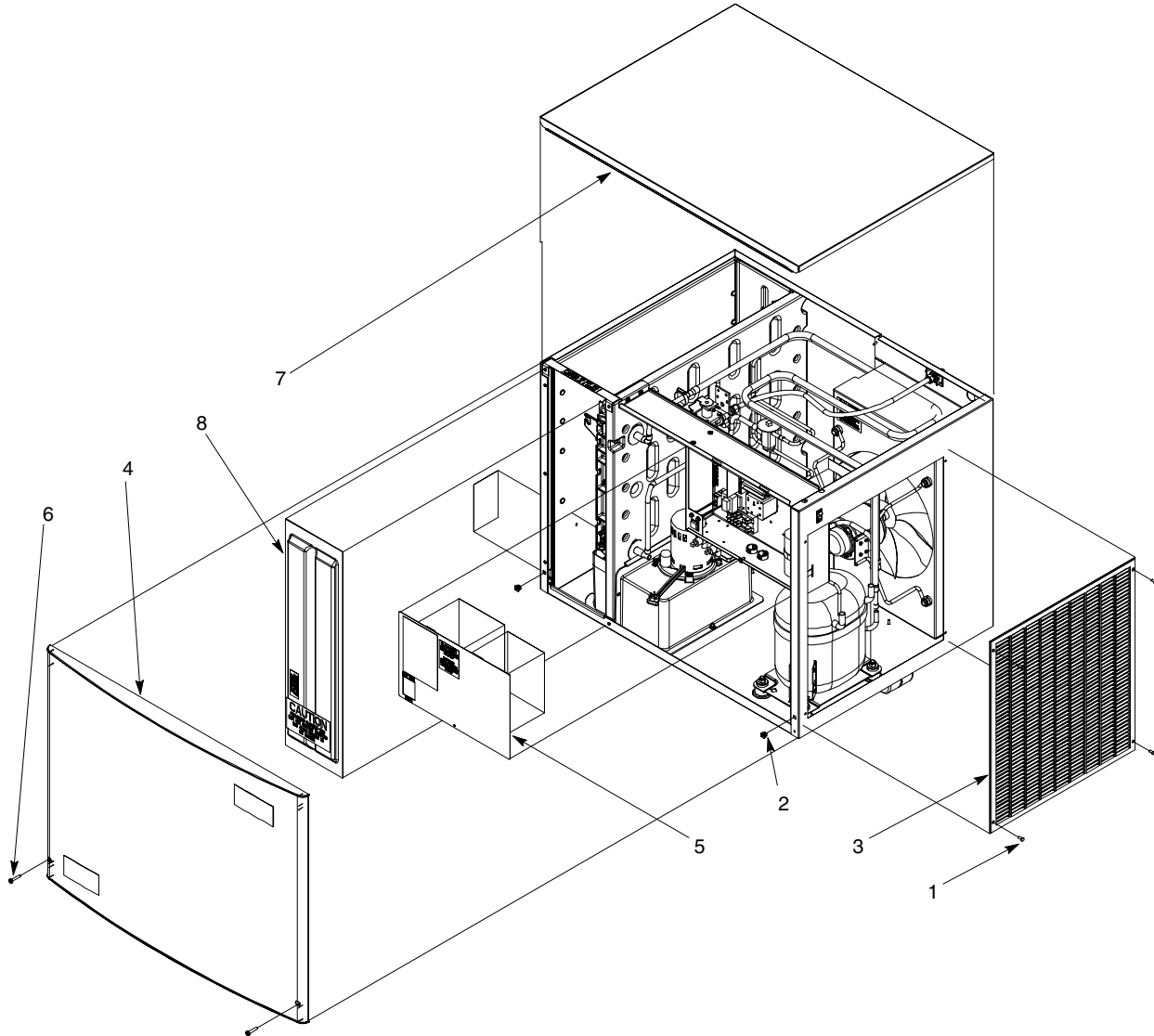




## ILLUSTRATED PARTS LIST

---

### XTREME ICE MAKER (522 AND 530 SERIES)



**FIGURE 1. GENERAL ASSEMBLY (AIR CONDENSER SHOWN)**

Item No.	Part No.	Name
1	161168006	Screw TC 8-32 HX 12
2	164510000	Nut Grommet
3	166194001	Grille Plstc Blk
4	631500117	Kit Svc Front Panel Asy 530 Series (See Figure 13)
	631500118	Kit Svc Front Panel Asy 522 Series (See Figure 13)

Item No.	Part No.	Name
5	630201041	Cover Elec Box
6	318308000	Screw TR 10-32 PAPH 32
7	630201049	Cover Top (530 Models)
	630201053	Cover Top (522 Models)
8	630900867	Panel Splash



## ILLUSTRATED PARTS LIST

### XTREME ICE MAKER (522 AND 530 SERIES)

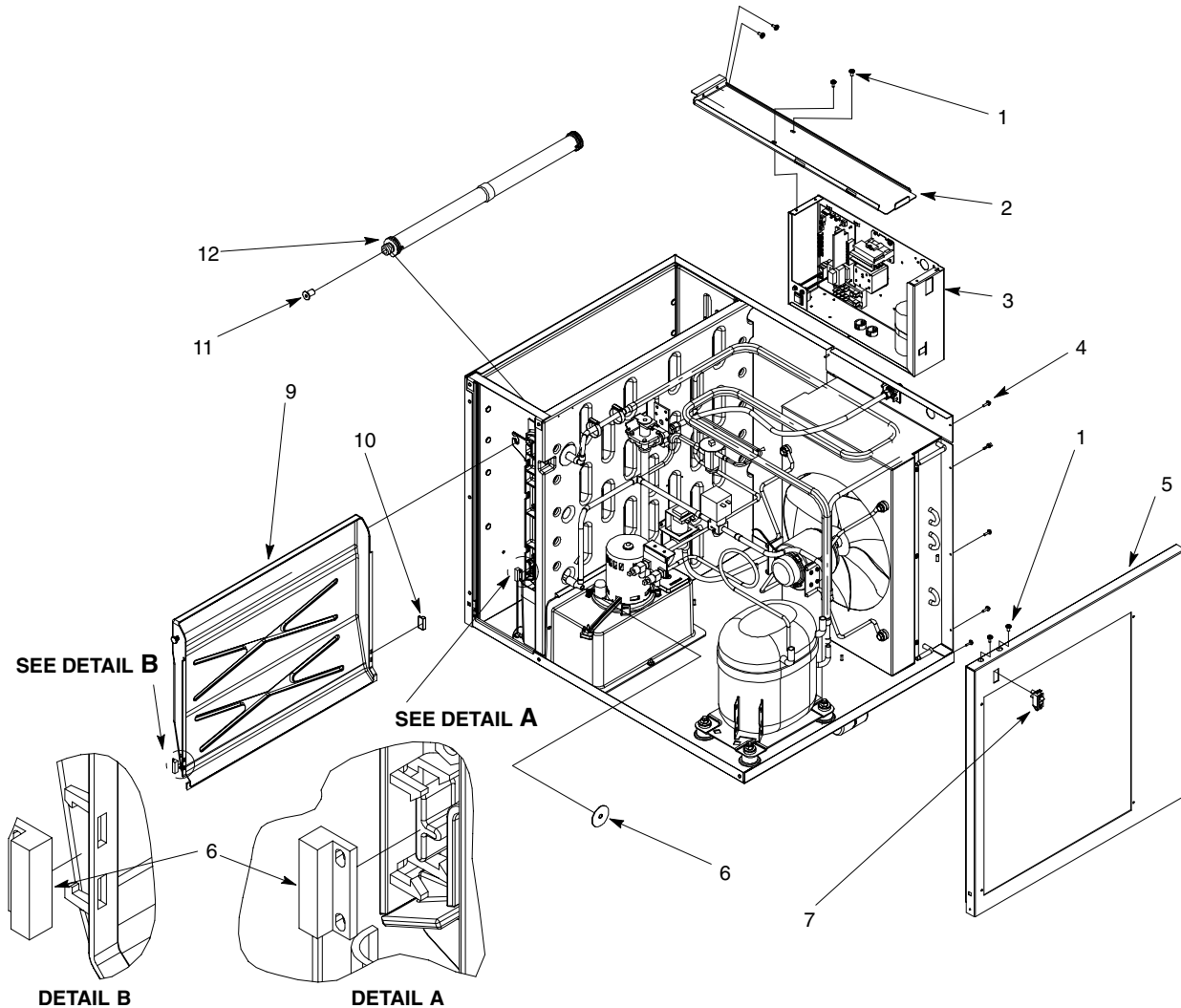


FIGURE 2. TRIM ASSEMBLY (AIR CONDENSER SHOWN)

Item No.	Part No.	Name
1	07578	Screw TC 8-32 TRPH 12
2	630201037	Brace Elec Box (522 Model)
	630201033	Brace Elec Box (530 Model)
3		Electrical Box Ass'y (See Figure 10)
4	165384000	Screw SM 8 TA HX 16
5	630201034	Panel Side RH 120V 60HZ
	630201193	Panel Side RH 230V 50/60HZ
6	630900893	Washer SL .340 I.D.

Item No.	Part No.	Name
7	630900808	Swit Rocker On/Off 120V 60HZ
	630900924	Swit Rocker On/Off 230V 50/60HZ
8	630900798	Switch Proximity
9	630900828	Cover Evap Medium
10	630900870	Fitg Placeholder
11	630900908	Orifice Flow Reducer
12	631500120	Kit Svc Water Distributor Asy (See Figure 11)



## ILLUSTRATED PARTS LIST

### XTREME ICE MAKER (522 AND 530 SERIES)

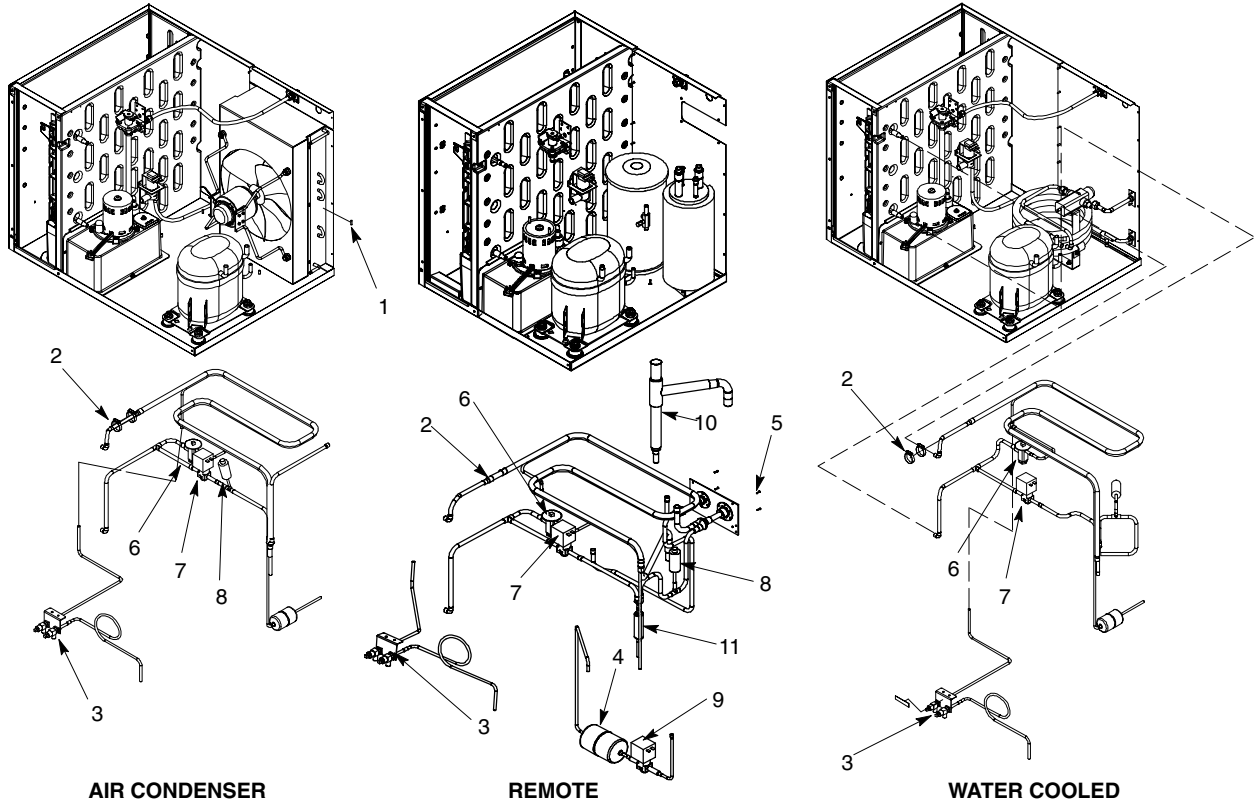


FIGURE 3. REFRIGERATION ASSEMBLY

Item No.	Part No.	Name
1	161862005	Sensor Tmp (Air Condenser)
2	161426001	Clamp Gear No. 12
3	630000789	Valve and Brkt Svc (522 Series)
	630000786	Valve and Brkt Svc (530 Series)
4	166184002	Dryer Filter
5	165384000	Screw SM 8 TA HX 16 (Remote)

Item No.	Part No.	Name
6	161921007	Valve Expan
7	165629006	Valve Hot Gas and Snd 120V 60HZ
	165629013	Valve Hot Gas and Snd 230V 50/60HZ
8	165677008	Switch Prs Asy
9	165629014	Solenoid Liq
10	630900479	CRO Valve
11	166161000	Check Valve



## ILLUSTRATED PARTS LIST

### XTREME ICE MAKER (522 AND 530 SERIES)

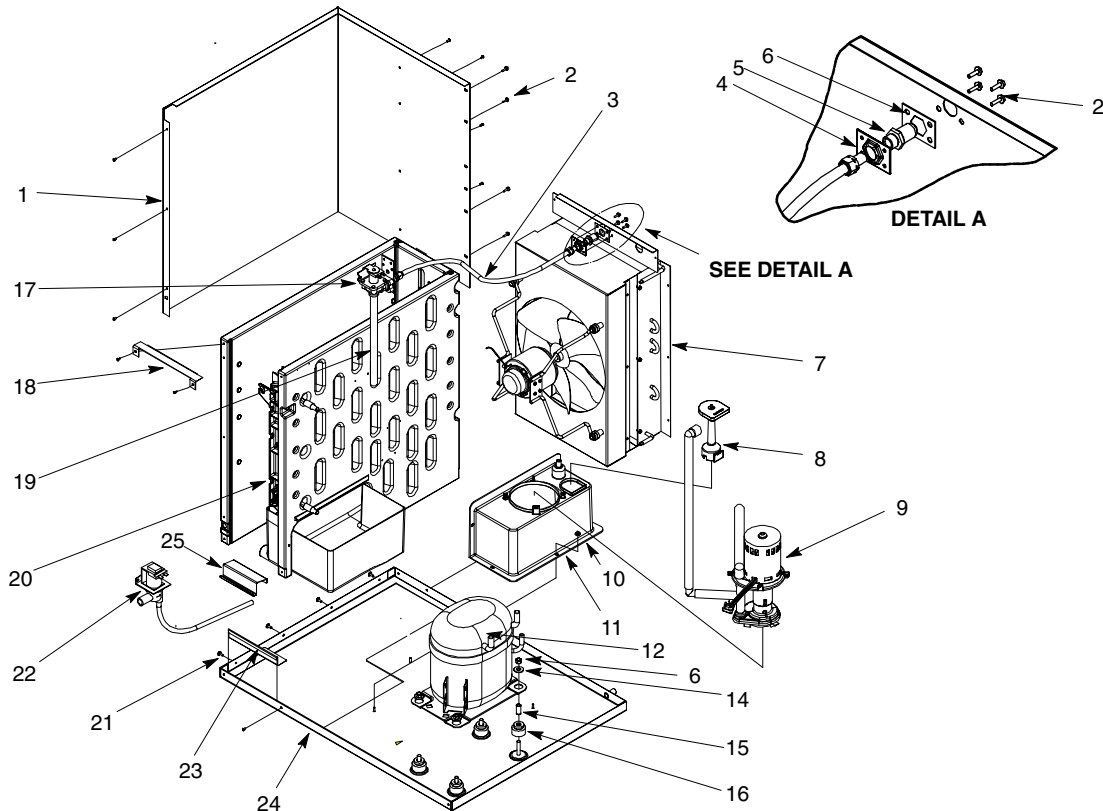


FIGURE 4. BUILD ASSEMBLY (AIR CONDENSER)

Item No.	Part No.	Name
1	630201054	Wrap Cab (522 Series)
	630201042	Wrap Cab (530 Series)
2	165384000	Screw SM 8 TA HX 16
3	650057	Tube Poly .265 I.D. (Sold by the Foot)
4	630200935	Flange Bulkhead Fitg
5	630900783	Fitg Blkhd 3/8 Comp x 3/8 MF
6	630201570	Flange Bulkhead Fitg
7		Condenser Ass'y (See Figure 9)
8	630900868	Sensor Pressure Pickup
9		Water Pump Ass'y (See Figure 12)
10	630900895	Nut Hex 8-32
11	630900869	Pan Water Wrap
12	631500053	Kit Comp 120V 60HZ
	630900739	Comp 230V 50HZ
	630900738	Comp 230V 60HZ

Item No.	Part No.	Name
13	164083005	Nut Hex 5/16-18
14	164154001	Washer Ft. .375 I.D.
15	630900745	Sleeve Grommet Comp
16	630900744	Grommet Mount Comp
17	630900786	Valve Solenoid Water 120V 60HZ
	630900791	Valve Solenoid Water 230V 50/60HZ
18	630201036	Brace Bulkhead
19	638006070	Tube .375 I.D.
20		Bulkhead Ass'y (See Figure 7)
22	165637008	Valve Dump 120V 60HZ
	165637009	Valve Dump 230V 50/60HZ
23	630201086	Brkt Wtr Pan
24	630000788	Base Chassis (522 Series)
	630000759	Base Chassis (530 Series)
25	630201126	Brkt Wtr Pan Cap



## ILLUSTRATED PARTS LIST

### XTREME ICE MAKER (522 AND 530 SERIES)

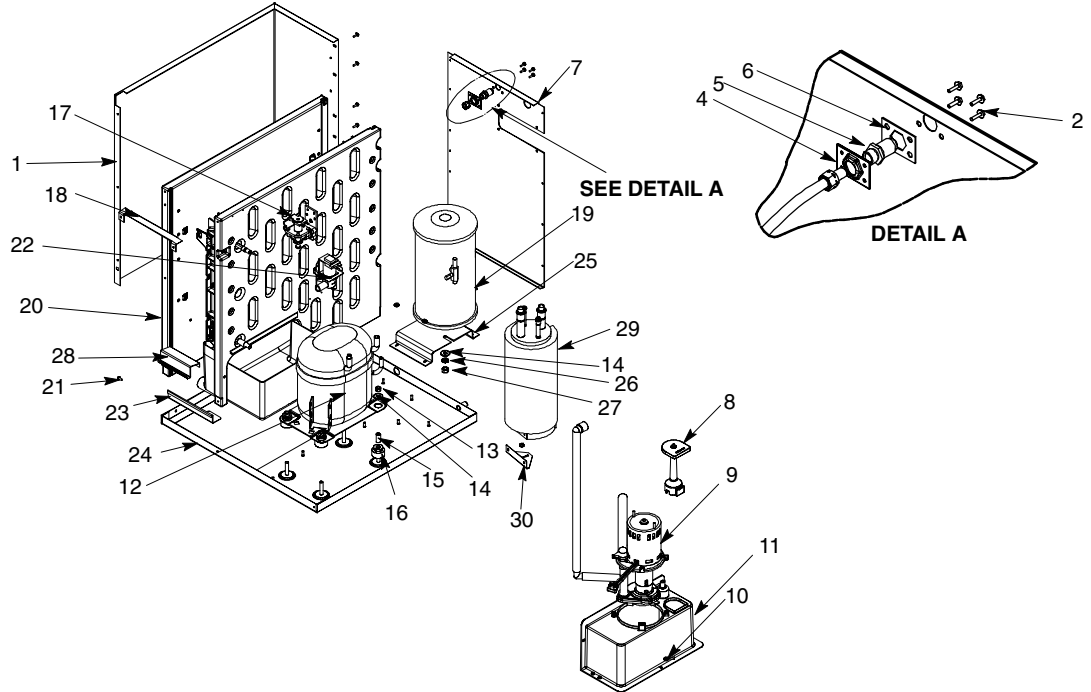


FIGURE 5. BUILD ASSEMBLY (REMOTE)

Item No.	Part No.	Name
1	630201054	Wrap Cab (522 Series)
	630201042	Wrap Cab (530 Series)
2	165384000	Screw 8 TA HX 16
3	650057	Tube Poly .265 I.D. (Sold by the Foot)
4	630200935	Flange Blkhd Fitg
5	630900783	Fitg Blkhd 3/8 Comp x 3/8 MF
6	630201570	Flange, Bulkhead Fitg. Flat
7	630201052	Panel Back
8	630900868	Sensoe Pressure Pickup
9		Water Pump Ass'y (See Figure 12)
10	630900895	Nut Hex 8-32
11	630900869	Pan Water Wrap
12	631500053	Kit Comp 120V 60HZ
	630900739	Comp 230V 50HZ
	630900738	Comp 230V 60HZ
13	164083005	Nut Hex 5/16-18
	164154001	Washer Ft .375 I.D.
15	630900745	Sleeve Grommet Comp

Item No.	Part No.	Name
16	630900744	Grommet Mount Comp
17	630900786	Valve Solenoid Water
18	630201036	Brace Bulkhead
19	630900225	Receiver
20		Bulkhead Ass'y (See Figure 7)
21	164126000	Screw SM 8 TA TRPH 16
22	165637008	Valve Dump
23	630201086	Brkt Wtr Pan
24	630000788	Base Chassis (522 Series)
	630000759	Base Chassis (530 Series)
25	164820914	Brkt Rec Btm
26	01022	Washer Lk .380 I.D.
27	09652	Nut Hex 3/8-16
28	630201126	Brkt Wtr Pan Cap
29	166073001	Foamed Accumulator Assembly
30	630201524	Accumulator Bracket
31	630900945	Compressor Crankcase Heater (not shown)



## ILLUSTRATED PARTS LIST

### XTREME ICE MAKER (522 AND 530 SERIES)

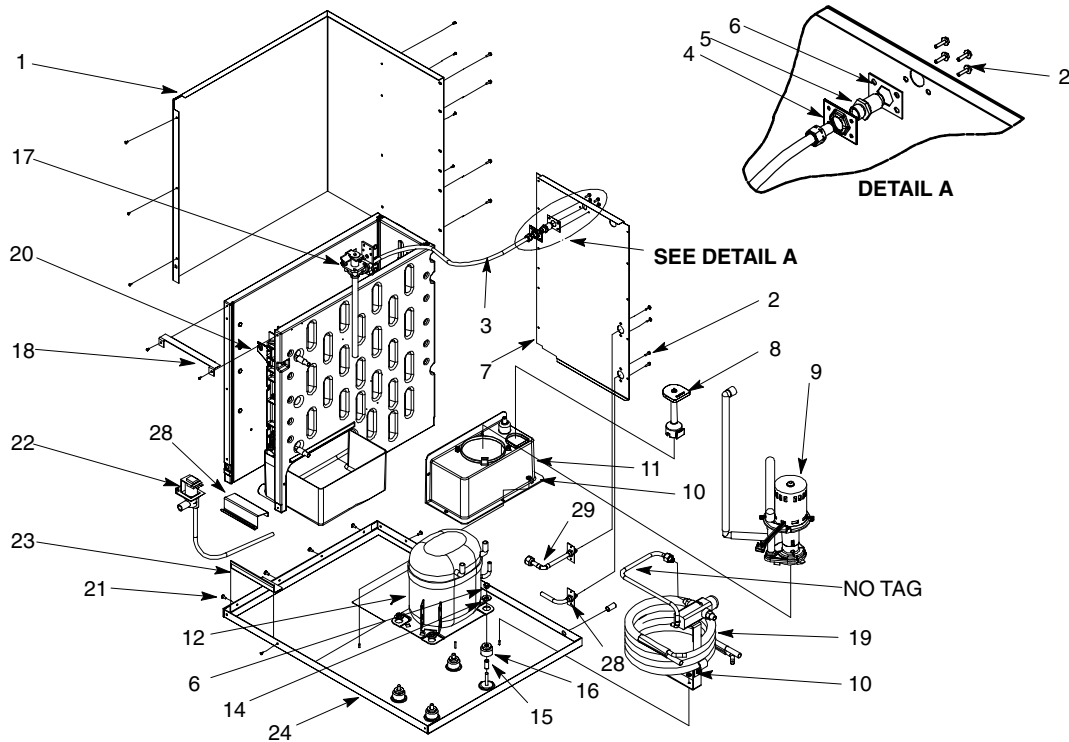


FIGURE 6. BUILD ASSEMBLY (WATER COOLED)

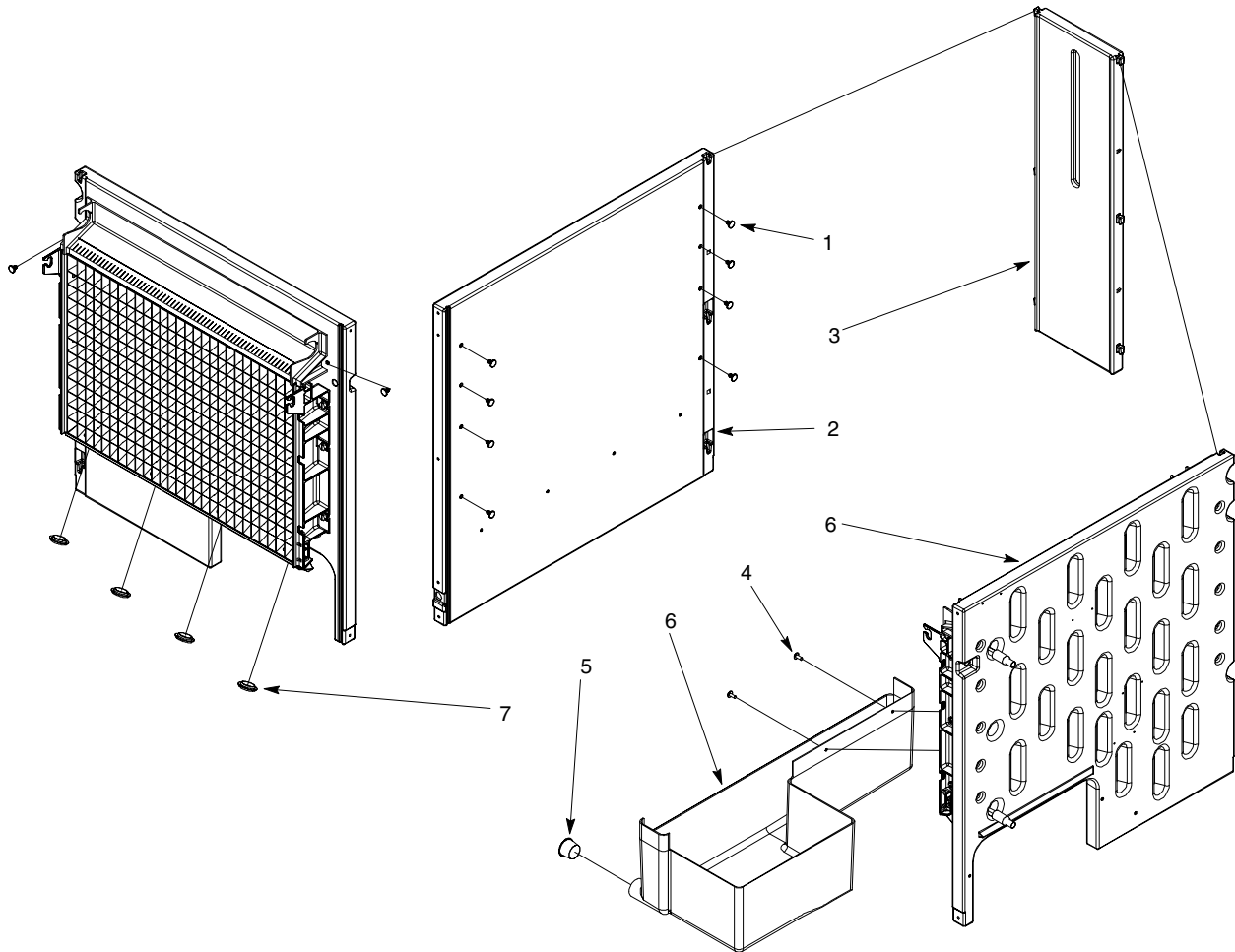
Item No.	Part No.	Name
1	630201054	Wrap Cab (522 Series)
	630201042	Wrap Cab (530 Series)
2	165384000	Screw SM 8 TA HX 16
3	650057	Tube Poly .265 I.D. (Sold by the Foot)
4	630200935	Flange Bulkhead Fitg
5	630900783	Fitg Blkhd 3/8 Comp x 3/8 MF
6	630201570	Flange Bulkhead Fitg
7	630201051	Panel Back
8	630900868	Sensor Pressure Pickup
9		Water Pump Ass'y (See Figure 12)
10	630900895	Nut Hex 8-32
11	630900869	Pan Water Wrap
12	631500053	Kit Comp 120V 60HZ
	630900739	Comp 230V 50HZ
	630900738	Comp 230V 60HZ
13	164083005	Nut Hex 5/16-18
14	164154001	Washer Ft .375 I.D.
15	630900745	Sleeve Grommet Comp

Item No.	Part No.	Name
16	630900744	Grommet Mount Comp
17	630900786	Valve Solenoid Water 120V 60HZ
	630900791	Valve Solenoid Water 230V 50/60HZ
18	630201036	Brace Bulkhead
19		Water Coil Ass'y (See Figure 14)
20		Bulkhead Ass'y (See Figure 7)
21	164126000	Screw SM 8 TA TRPH 16
22	165637008	Valve Dump 120V 60HZ
	165637009	Valve Dump 230V 50/60HZ
23	630201086	Brkt Wtr Pan
24	630000788	Base Chassis (522 Series)
	630000759	Base Chassis (530 Series)
25	161763009	Tube Asy Wtr to CDR (522 Series)
	161763008	Tube Asy Wtr to CDR (530 Series)
26	164832008	Tube Water In Asy
27	164832009	Tube Water Out Asy
28	630201126	Brkt Wtr Pan Cap



**ILLUSTRATED PARTS LIST**

**XTREME ICE MAKER (522 AND 530 SERIES)**



**FIGURE 7. BULKHEAD ASSEMBLY**

Item No.	Part No.	Name
1	630900903	Clip
2	630900848	Blkhd LT
3	630900846	Blkhd Rear
4	630901121	Screw SM 8 HXWS 16 SS

Item No.	Part No.	Name
5	630900934	Cap
6	630900833	Pan Water Large
7	630900892	Plug
8		Frame Evap (See Figure 8)





## ILLUSTRATED PARTS LIST

### XTREME ICE MAKER (522 AND 530 SERIES)

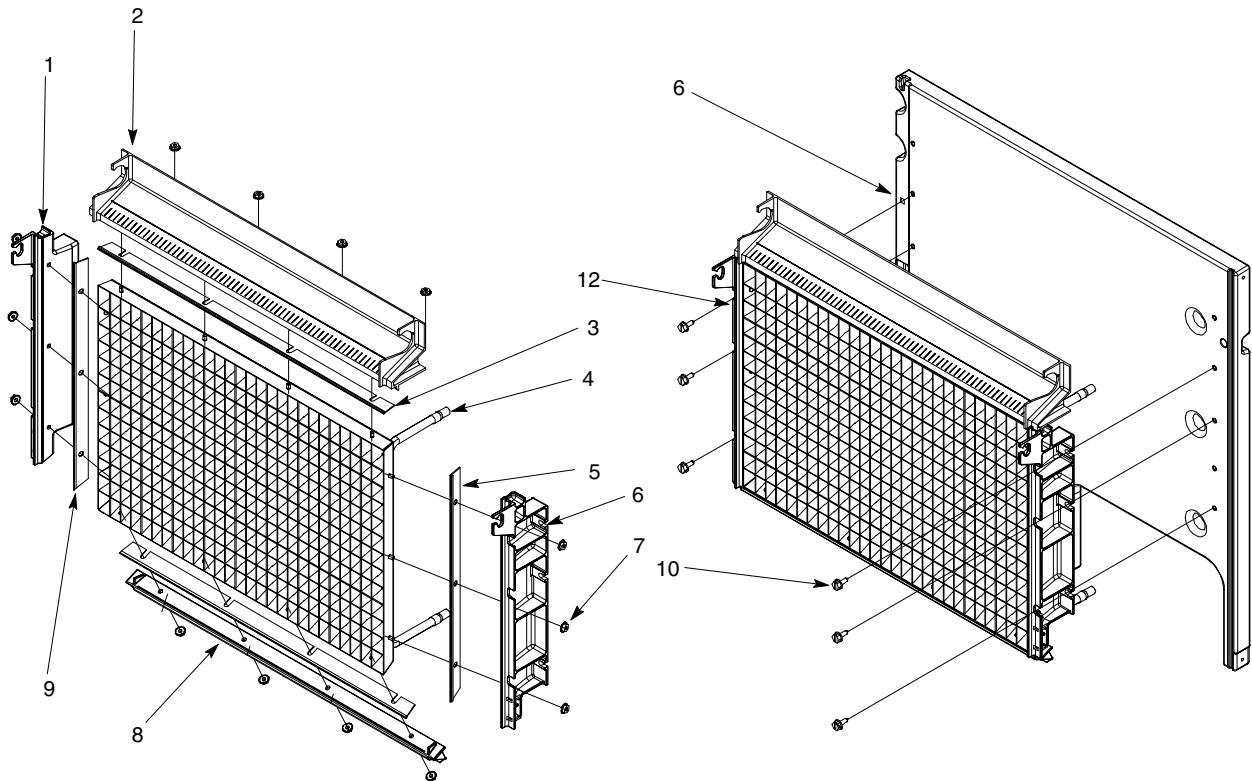


FIGURE 8. EVAPORATOR ASSEMBLY

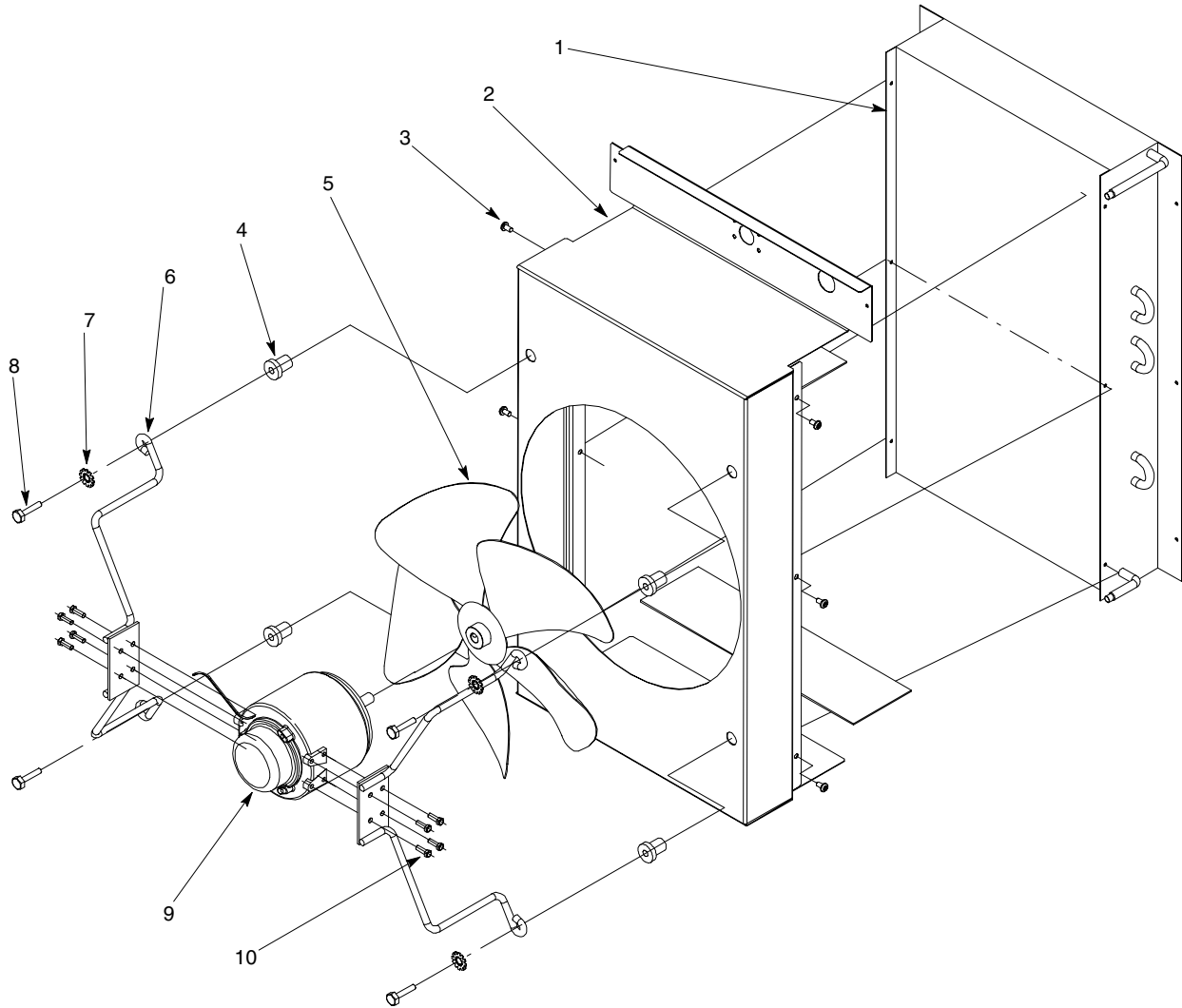
Item No.	Part No.	Name
1	630900863	Frame Evap LH
2	630900781	Deflector Water
3	630201024	Gasket Frame Evap Top and Bottom
4	630250120	Tube Extension
	630000822	Evap and Plate RH (Large Cube)
5	630201030	Gasket Frame Evap R
6	630900862	Frame Evap RH
7	630901495	Nut Lock Nylon 8-32

Item No.	Part No.	Name
8	630900857	Frame Evap Bottom
9	630201029	Gasket Frame Evap L
10	630900896	Screw SM 14 HX 20
11	630900850	Blkhd RT
12	631500119	Kit Svc Evap Frame Asy (Standard Cube)
	631500137	Kit Svc Evap Frame Asy (Large Cube)



**ILLUSTRATED PARTS LIST**

**XTREME ICE MAKER (522 AND 530 SERIES)**



**FIGURE 9. CONDENSER ASSEMBLY**

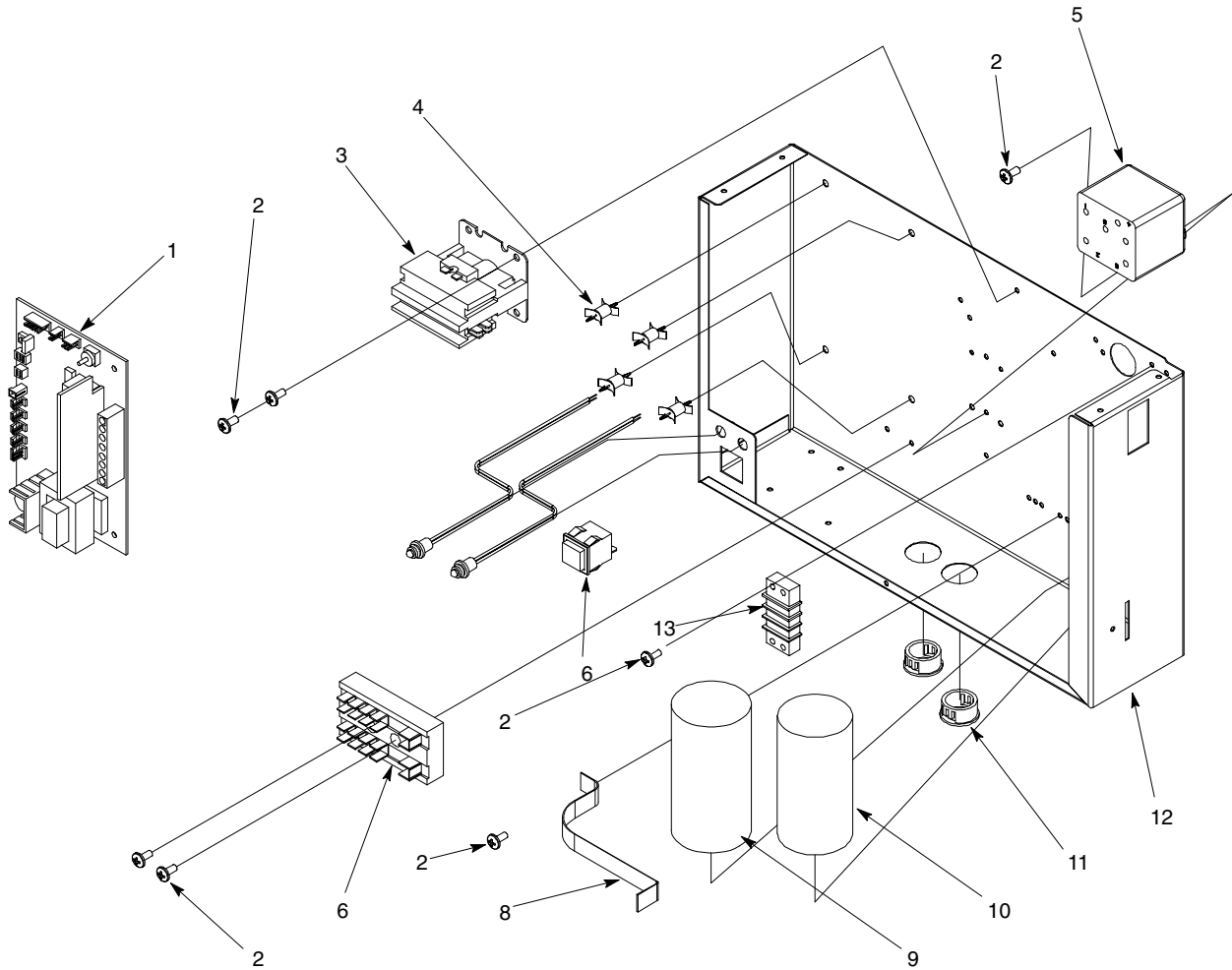
Item No.	Part No.	Name
1	161870004	Cond Coil Air
2	630201109	Shroud
3	630900190	Screw SM 8 TA PAPH 12
4	630900889	Nut Well 1/4-20
5	630900309	Fan Blade
6	630900919	Brkt Wire Frmd Fan Mtr

Item No.	Part No.	Name
7	23978	Washer Sr .690 I.D.
8	165294000	Bolt MA 1/4-20 HX 32
9	630000456	Motor Asy Fan/Term 120V 60HZ
	166181011	Motor Asy Fan/Term 230V 50HZ
	630900308	Motor Asy Fan/Term 230V 60HZ
10	03612	Screw MA 8-36 HX 16



## ILLUSTRATED PARTS LIST

### XTREME ICE MAKER (522 AND 530 SERIES)



**FIGURE 10. ELECTRICAL BOX ASSEMBLY**

Item No.	Part No.	Name
1	630900789	Board Control Pressure Sensor
2	07578	Screw TC 8-32 TRPH 12
3	164884002	Relay Power 120V 60HZ
	40713	Relay Power 230V 50/60HZ
4	630460105	Spacer Circ Board
5	630900723	Relay Start 120V 60HZ
	630900725	Relay Start 230V 50HZ
	630900724	Relay Start 230V 60HZ
6	161838002	Block Term
7	630900905	Switch Push Btn

Item No.	Part No.	Name
8	630200166	Cap Strap
9	630900732	Capac Run 120V 60HZ
	630900733	Capac Run 230V 50/60HZ
10	630900729	Capac Srt 120V 60HZ
	630900730	Capac Srt 230V 50/60HZ
11	03611	Bushing Snap
12	630201032	Wrap Elec Box (522 Series)
	630201035	Wrap Elec Box (530 Series)
13	630900102	Block Term (230V 50HZ)



## ILLUSTRATED PARTS LIST

### XTREME ICE MAKER (522 AND 530 SERIES)

Item No.	Part No.	Name
1	630900883	Cap Plg
2	630900780	Distributor Water Inner
3	630900809	O-Ring .075 I.D.
4	630900779	Distributor Water Inner Barb
5	630900777	Distributor Water Asy

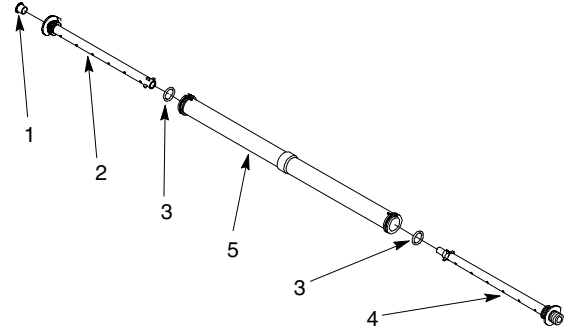


FIGURE 11. WATER DISTRIBUTOR ASSEMBLY

Item No.	Part No.	Name
1	630900881	Tube Vnl Pmp to Dmp Vlv
2	630900797	Pump Water 120V 60HZ
	630900796	Pump Water 230V 50/60HZ
3	630900875	Tube Vnl Pmp to Wtr Dis
4	630900874	Tube Vnl Pmp to Out
5	166092000	Fitg Elbow

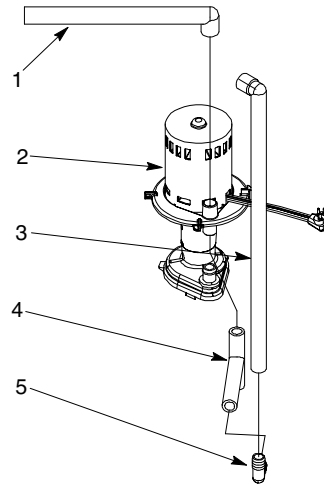


FIGURE 12. WATER PUMP ASSEMBLY

Item No.	Part No.	Name
1	630201023	Panel Fnt (522 Series)
	630201022	Panel Fnt (530 Series)
2	630900852	Cap Front Panel (522 Series)
	630900853	Cap Front Panel (530 Series)
3	630201019	Rail LT Fnt Pnl
4	630201017	Rail RT Fnt Pnl

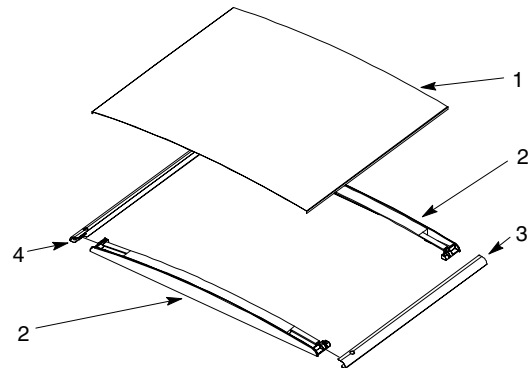
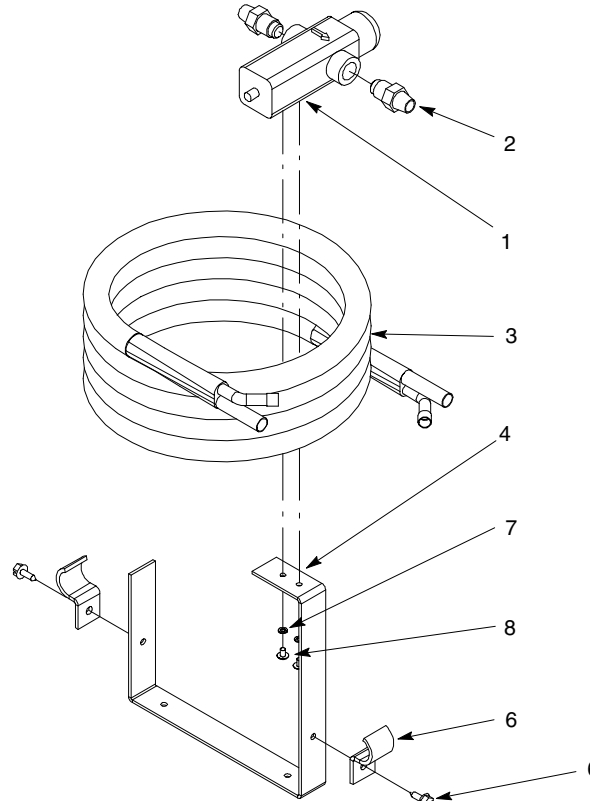


FIGURE 13. FRONT PANEL ASSEMBLY



## ILLUSTRATED PARTS LIST

### XTREME ICE MAKER (522 AND 530 SERIES)



**FIGURE 14. WATER COIL ASSEMBLY**

Item No.	Part No.	Name
1	164980002	Valve Wtr Reg
2	08699	Fitg Union 5/8-18 By 3/8-MPT
3	22499	Cond Coil
4	164820105	Brkt Coil Wtr

Item No.	Part No.	Name
5	35987	Brkt Cond Coil
6	36039	Screw SM No. 14 HX 20
7	00214	Washer Lk .2966 I.D.
8	161168000	Screw MA 8-32 TRPH 8



## ILLUSTRATED PARTS LIST

---

### **XTREME ICE MAKER (522 AND 530 SERIES) ACCESSORIES/KITS**

## Free Manuals Download Website

<http://myh66.com>

<http://usermanuals.us>

<http://www.somanuals.com>

<http://www.4manuals.cc>

<http://www.manual-lib.com>

<http://www.404manual.com>

<http://www.luxmanual.com>

<http://aubethermostatmanual.com>

Golf course search by state

<http://golfingnear.com>

Email search by domain

<http://emailbydomain.com>

Auto manuals search

<http://auto.somanuals.com>

TV manuals search

<http://tv.somanuals.com>