



INSTALLATION INSTRUCTIONS

ED/DF150 22" CCM322/522 NORDIC BLACK/GRAY STYLE LID KITS

This Nordic style kit applies to the Cornelius 22" wide CCM322/522 ice maker.

Item No.	Part No.	Name	Qty.
1	52994	Cover, Gray - 08008	1
	52934	Cover, Black - 02390	1
2	15506	Lid Assembly	1
3	29565	Bracket	2
4	70217	#8 Screw	6
5	50904	RTV	1
6	90221	Label	1
7	620204723INS	Installation Instruction	1
8	620701902	Acorn Nut, 8-32 Nylon	2
9	620701901	Sealing Washer	2
10	620042928	Baffle, Ice DF/ED150	1
11	620701903	#8 Nylon Washer	2
12	620505804	Insulation Strip	1
13	630500109	Bin Stat	1

CAUTION: Disconnect electrical power to the dispenser before proceeding with the icemaker adapter kit installation.

WARNING: The dispenser must be secured with 3/8-16 bolts (6) to the counter before installing this Icemaker Adapter Kit. Refer to the installation manual and Figure 2 for the counter mounting template.

WARNING:

1. Unpack kit.
2. Place insulation strip (item 12) over studs on the baffle and insert baffle assembly into the adapter lid.
3. Place (2) sealing washers (item 9) over studs and (2) flat washers (item 11), then fasten in place with (2) plastic acorn nuts (item 8).
4. Set ice maker lid on the top of the dispenser.
5. Using the slotted holes in the lid as a template, drill four (4) .140" diameter (9/64") holes at the bottom of the slots (see detail A). Use extreme care not to drill into the hopper. Fasten the lid to the dispenser with four (4) #8 sheet metal screws, two on each side.
6. Seal the icemaker to the top of the dispenser as follows:
 - A. Run beads of RTV around the opening in the lid and inside of the perimeter of the ice maker outline so that the icemaker will set on the RTV.
 - B. Set the icemaker onto the lid and position it as required.
 - C. Wipe away the excess RTV.
7. Drill 9/64_ diameter holes into the icemaker cabinet using the bracket as a template. Use extreme care not to drill into any icemaker components (condenser, tubing, etc.). Secure the brackets using the screws provided.
8. Install the wire form bracket, supplied with the bin stat kit (item 4), through the 5/8" diameter hole in the bottom of the ice maker. Wrap the eye of the wireform over the stud near the hole to the end of the wireform bracket and wrap the tube around the end of the bracket several times, insuring the tube is secure.

NOTE: The bin stat must not interfere with the agitator rotation or in the path of ice falling from the icemaker. If it interferes with the agitator or in the path of ice, bend the bracket out of the way.

9. If the plastic acorn nuts interfere with the positioning of the plastic manual fill cover, it may be necessary to make small notches in the back flange of the cover to clear the acorn nuts.
10. The unit is now ready for operation.

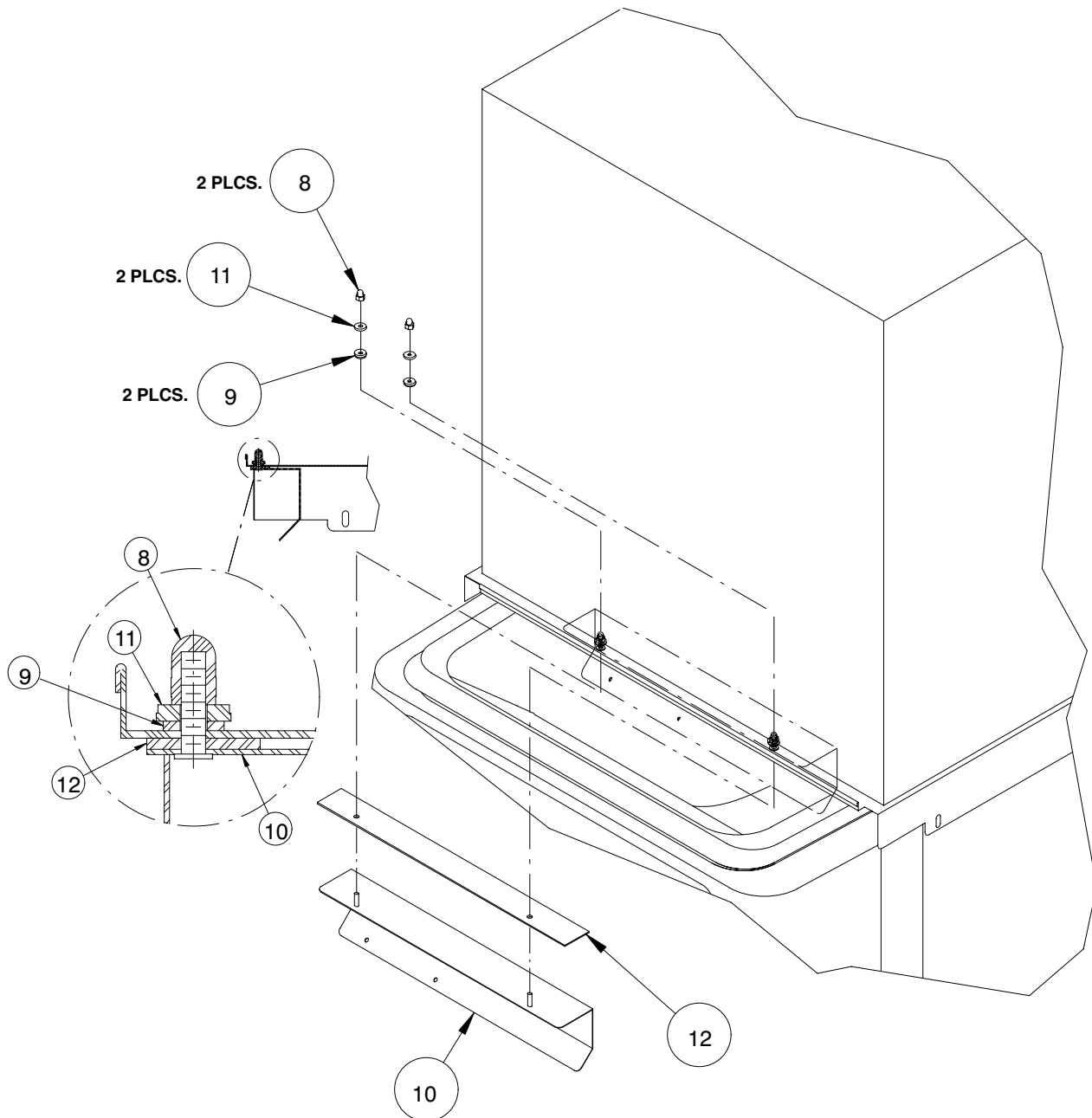


FIGURE 1. ED/DF150 Kit

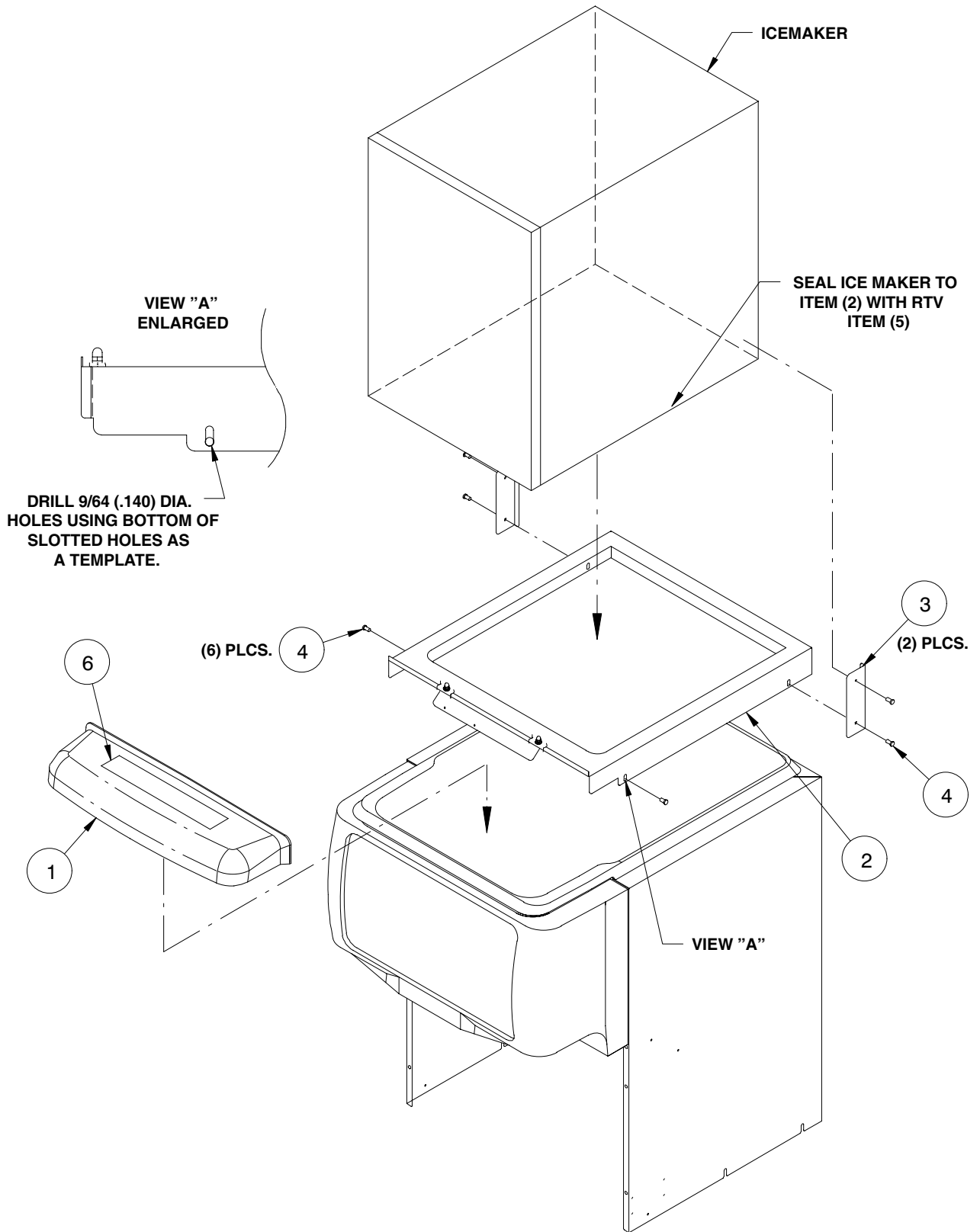


FIGURE 2. ED/DF150 Kit

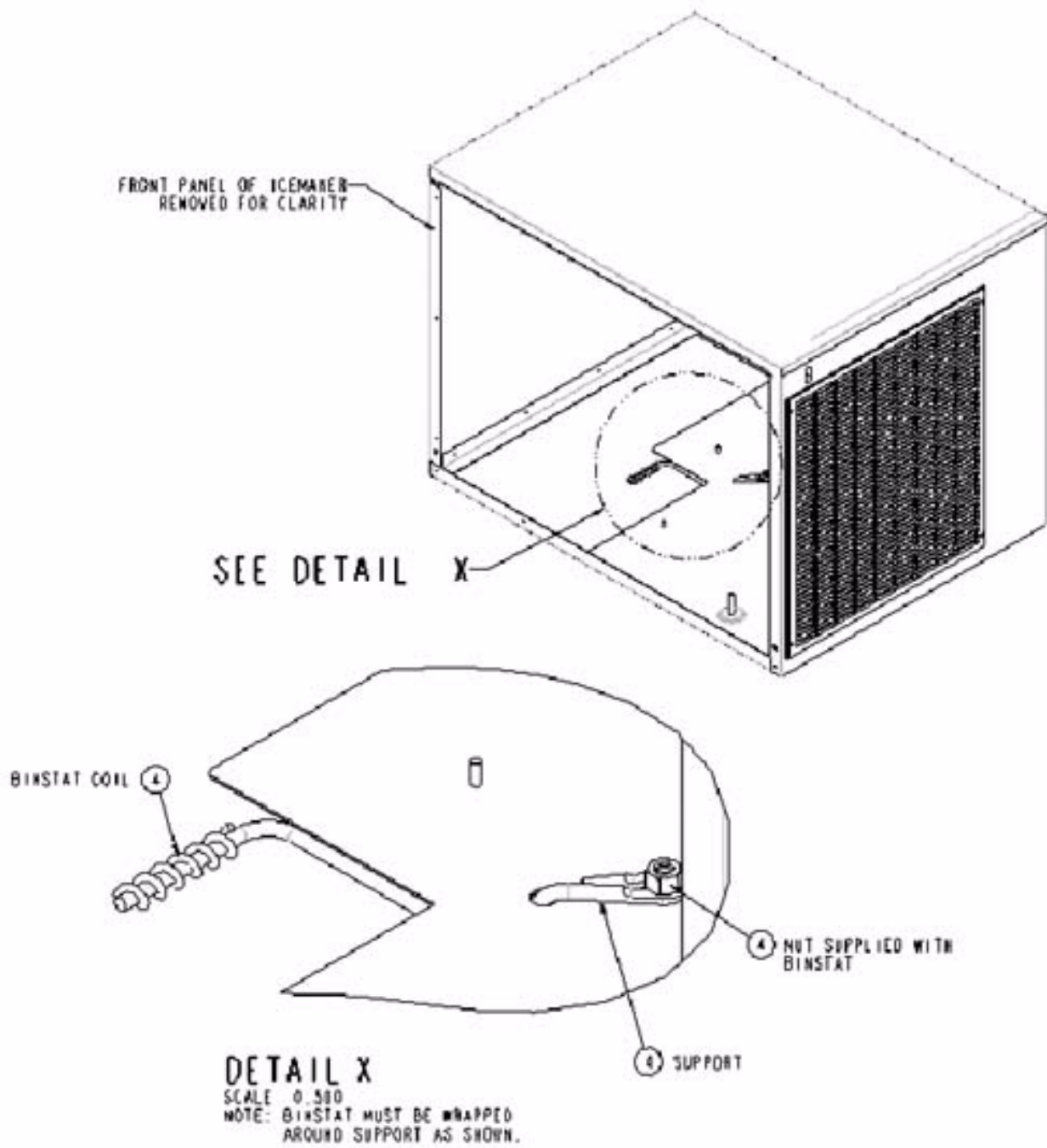


FIGURE 3. Bin Stat

Free Manuals Download Website

<http://myh66.com>

<http://usermanuals.us>

<http://www.somanuals.com>

<http://www.4manuals.cc>

<http://www.manual-lib.com>

<http://www.404manual.com>

<http://www.luxmanual.com>

<http://aubethermostatmanual.com>

Golf course search by state

<http://golfingnear.com>

Email search by domain

<http://emailbydomain.com>

Auto manuals search

<http://auto.somanuals.com>

TV manuals search

<http://tv.somanuals.com>