



IMI CORNELIUS INC.
One Cornelius Place
Anoka, MN. 55303-.6234
Telephone 1-800-238-3600
Facsimile 1-800-258-0255

INSTALLATION INSTRUCTIONS SELF SERVE ICE DISPENSE LEVER KIT P/N 08054

This kit applies to the following models: TJ300/400

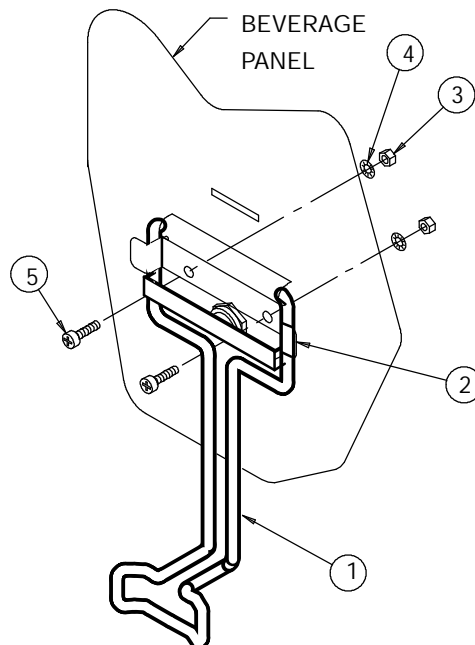
Table 1. Loose-Shipped Parts

Item No.	Part No.	Name	Qty.
1	15415	Lever Assembly	1
2	27107	Bracket, Dispenser Mounting	1
3	70016	Hex Nut, 10-32	2
4	70045	Lock Washer, #10	2
5	70242	Phil. Hd Scr., 10-32 x 3/8	2



CAUTION: Disconnect the electrical power to the unit before proceeding.

1. Remove the lower front panel from the cabinet.
2. Remove the two screws/nuts from the cup depressor lever retainer and discard the retainer.
3. Remove the existing cup depressor lever from the panel by lifting up and pulling forward. Discard lever.
4. Install new self-serve lever on panel as shown.
5. Re-Install lower front panel.
6. Connect electrical power to unit and check for proper operation of dispenser.



**THERE IS A COPY OF A LETTER FROM NSF IS TO BE
ATTACHED TO THIS INSTRUCTION AT THE FACTORY.
THIS SHEET IS TO BE THROWN AWAY AFTER NSF
LETTER IS ATTACHED
THIS NOTE IS NOT TO BE PRINTED – IT IS FOR
INFORMATION ONLY.**

See Frank Brill at Remcor or Al Campbell if there are questions.

Free Manuals Download Website

<http://myh66.com>

<http://usermanuals.us>

<http://www.somanuals.com>

<http://www.4manuals.cc>

<http://www.manual-lib.com>

<http://www.404manual.com>

<http://www.luxmanual.com>

<http://aubethermostatmanual.com>

Golf course search by state

<http://golfingnear.com>

Email search by domain

<http://emailbydomain.com>

Auto manuals search

<http://auto.somanuals.com>

TV manuals search

<http://tv.somanuals.com>